



US00D673139S

(12) **United States Design Patent**
Choi et al.

(10) **Patent No.:** **US D673,139 S**
(45) **Date of Patent:** **** Dec. 25, 2012**

(54) **REMOTE CONTROLLER**

(75) Inventors: **Jin-Ho Choi**, Seoul (KR); **Jin Kwon**, Seoul (KR)

(73) Assignee: **Samsung Electronics Co., Ltd.**, Suwon-Si, Gyeonggi-do (KR)

(**) Term: **14 Years**

(21) Appl. No.: **29/426,416**

(22) Filed: **Jul. 5, 2012**

(30) **Foreign Application Priority Data**

Jan. 16, 2012 (KR) 30-2012-0002081

(51) **LOC (9) Cl.** **14-03**

(52) **U.S. Cl.** **D14/218**

(58) **Field of Classification Search** D14/218,
D14/455; D13/168; D21/566; D10/104,
D10/106; 345/169; 348/14.05, 114, 211.99,
348/734; 340/825.24; 341/22; 455/92, 95,
455/128, 151.1–151.4, 352, 355, FOR. 121;
700/65

See application file for complete search history.

(56) **References Cited**

U.S. PATENT DOCUMENTS

D515,041 S * 2/2006 Yun et al. D13/168
D521,986 S * 5/2006 Depay et al. D14/218
D583,363 S * 12/2008 Song et al. D14/218
D609,667 S * 2/2010 Shi et al. D14/138 AA
D621,372 S * 8/2010 Won et al. D13/168
D625,276 S 10/2010 Won et al.

D631,036 S * 1/2011 Daniels D14/218
D632,264 S * 2/2011 Choi et al. D13/168
D647,883 S 11/2011 Kim et al.
D647,884 S * 11/2011 Moon et al. D14/218
D654,478 S * 2/2012 Noh et al. D13/168

OTHER PUBLICATIONS

U.S. Appl. No. 29/417,269, Applicant: Jin-Ho Choi, et al., filed Apr. 2, 2012, entitled Remote Controller.

* cited by examiner

Primary Examiner — John Windmuller

(74) *Attorney, Agent, or Firm* — Flynn, Thiel, Boutell & Tanis, P.C.

(57) **CLAIM**

The ornamental design for a remote controller, as shown and described.

DESCRIPTION

FIG. 1 is a top front perspective view of a remote controller showing our new design;

FIG. 2 is a front elevational view thereof;

FIG. 3 is a rear elevational view thereof;

FIG. 4 is a left side elevational view thereof;

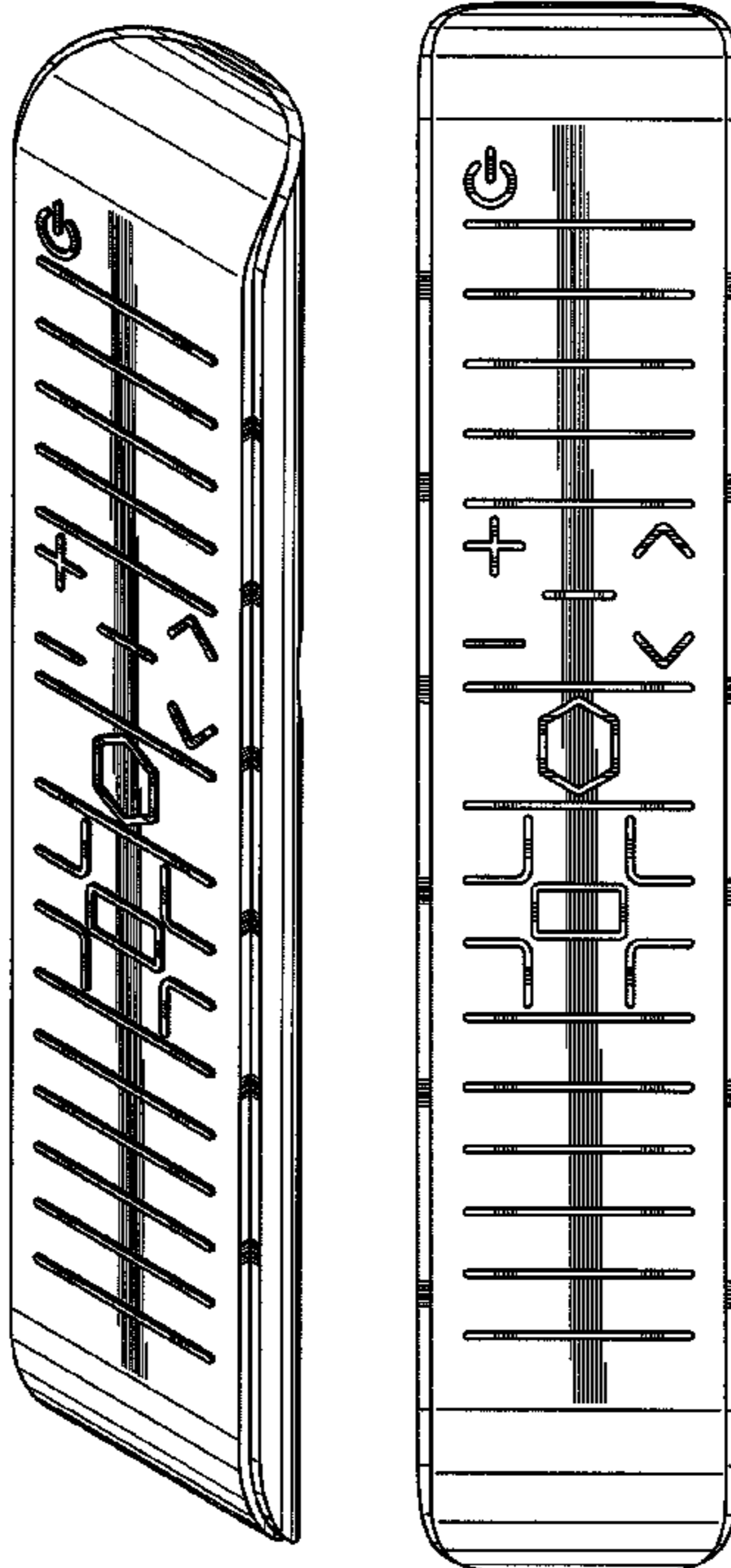
FIG. 5 is a right side elevational view thereof;

FIG. 6 is a top plan view thereof; and,

FIG. 7 is a bottom plan view thereof.

The broken lines in FIG. 3 depict a portion of the remote controller that forms no part of the claimed design.

1 Claim, 4 Drawing Sheets



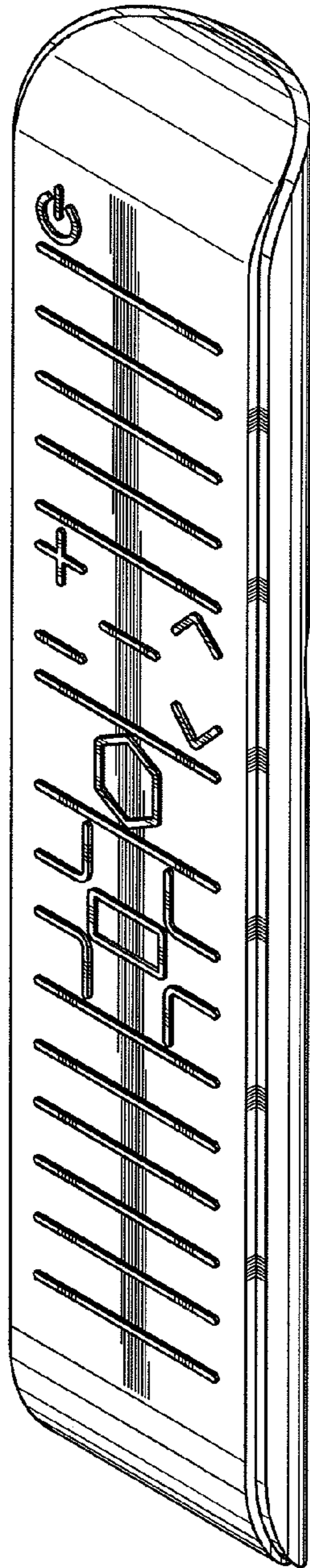


FIG.1

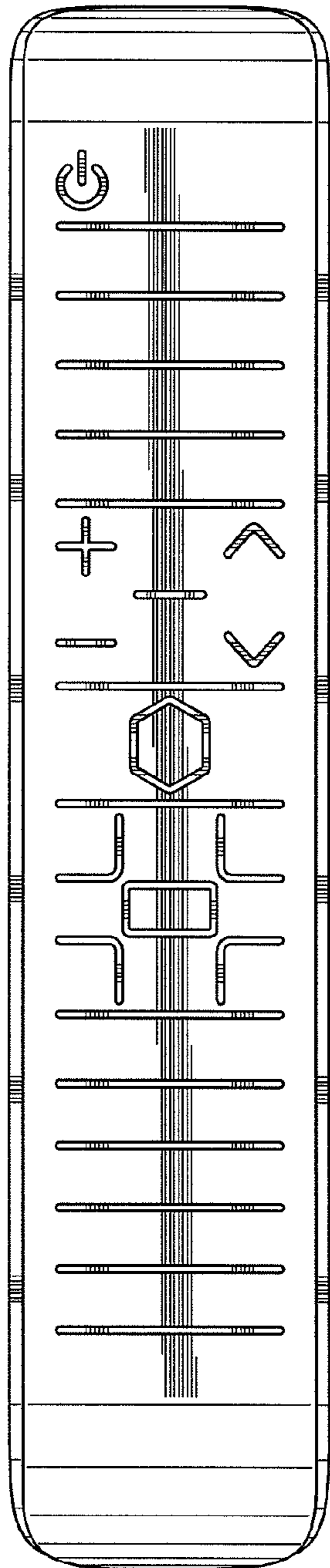


FIG.2

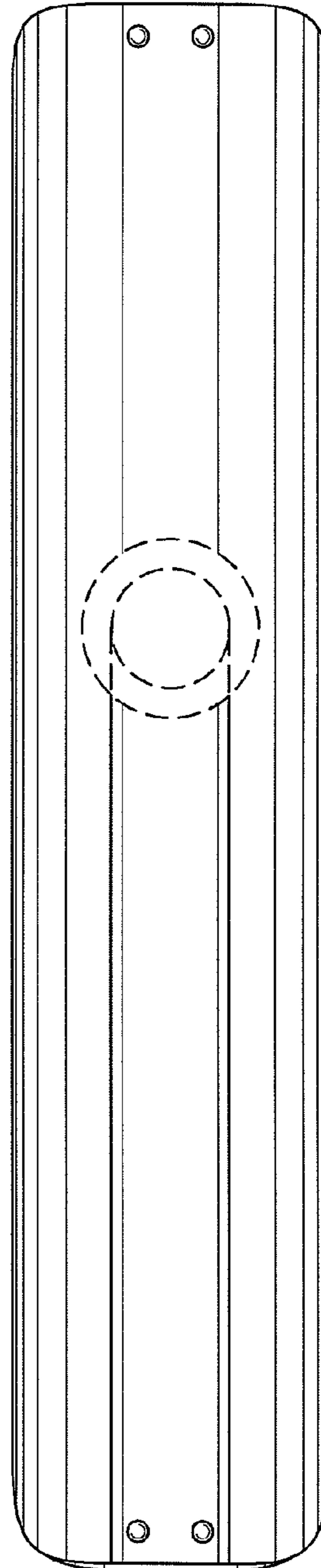


FIG.3

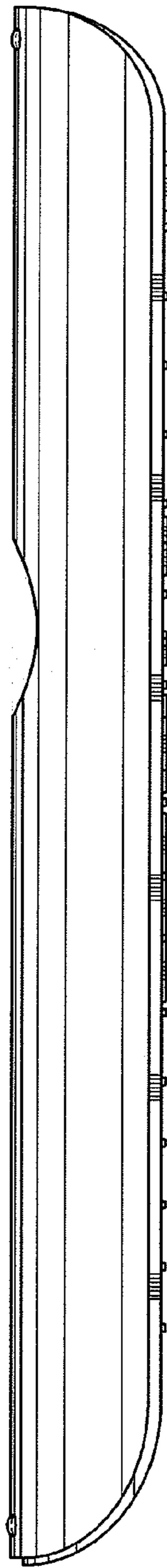


FIG.4

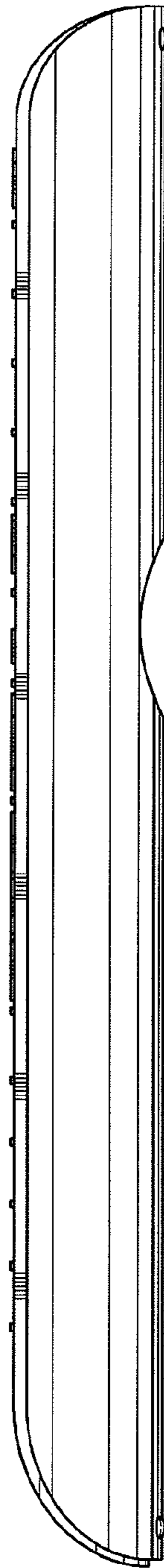


FIG.5

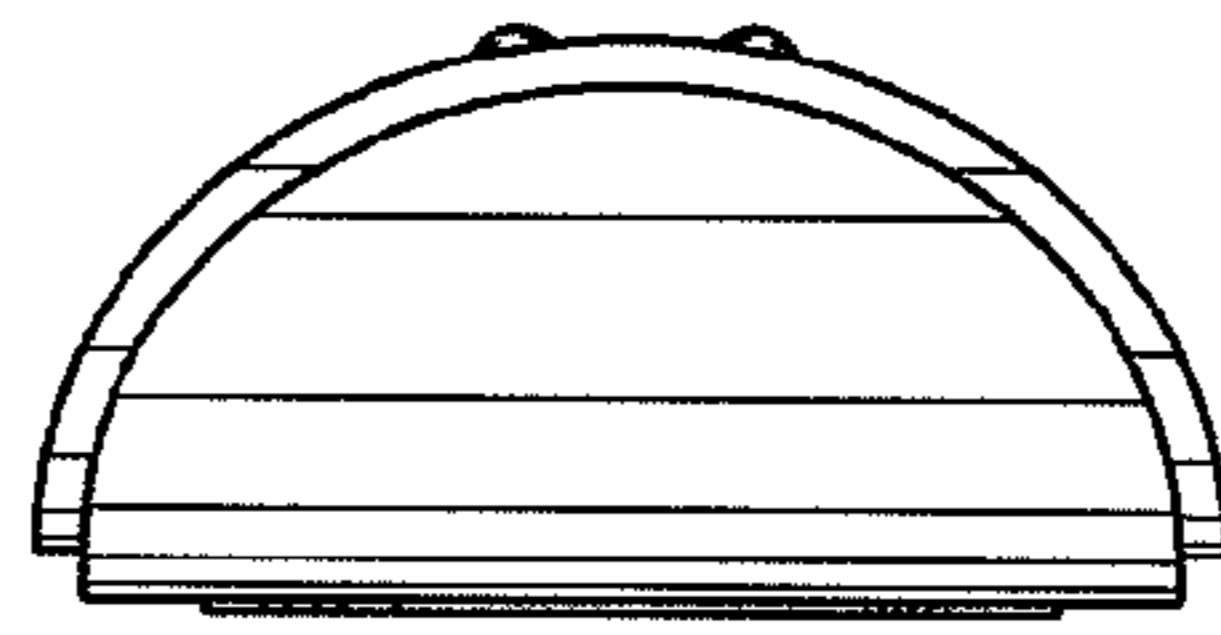


FIG. 6

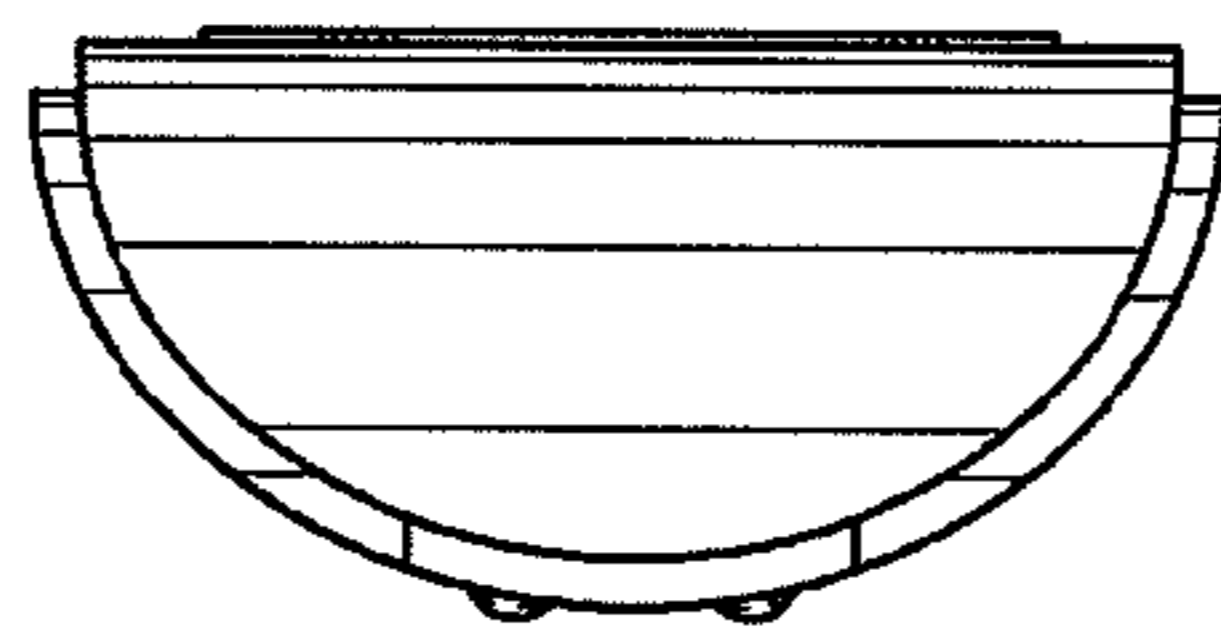


FIG. 7