

US00D673137S

(12) **United States Design Patent**
Maier et al.

(10) **Patent No.:** **US D673,137 S**
(45) **Date of Patent:** **** Dec. 25, 2012**

(54) **REMOTE CONTROL**

(75) Inventors: **Ferdinand Maier**, Obertrum am See (AT); **Erwin Weitgasser**, Salzburg (AT)

(73) Assignee: **FM Marketing GmbH**, Obertrum Am See (AT)

(**) Term: **14 Years**

(21) Appl. No.: **29/403,779**

(22) Filed: **Oct. 11, 2011**

(30) **Foreign Application Priority Data**

Apr. 20, 2011 (EP) 001853516

(51) **LOC (9) Cl.** **14-03**

(52) **U.S. Cl.** **D14/218**

(58) **Field of Classification Search** D14/218,
D14/455; D13/168; D21/566; D10/104,
D10/106; 345/169; 348/14.05, 114, 211.99,
348/734; 340/825.24; 341/22; 455/92, 95,
455/128, 151.1-151.4, 352, 355, FOR. 121;
700/65

See application file for complete search history.

(56) **References Cited**

U.S. PATENT DOCUMENTS

D167,828 S *	9/1952	Florac	D14/194
D280,896 S *	10/1985	Campbell et al.	D14/155
D290,356 S *	6/1987	Fisher	D14/191
D317,593 S *	6/1991	Rowen	D13/168
D370,663 S *	6/1996	Swain et al.	D13/168
D450,662 S *	11/2001	Kwok	D13/168
D496,003 S *	9/2004	Spira	D13/168
D500,485 S *	1/2005	Deguchi	D14/480.4
D518,447 S *	4/2006	Spira	D13/168
D525,948 S *	8/2006	Blair et al.	D13/168
D531,585 S *	11/2006	Weitgasser et al.	D13/168
D531,588 S *	11/2006	Peh	D13/168

D535,261 S *	1/2007	Daniels	D13/168
D556,154 S *	11/2007	Poulet et al.	D13/168
D581,371 S *	11/2008	Richmond	D13/168
D589,941 S *	4/2009	Maier et al.	D14/218
D602,473 S *	10/2009	Moller et al.	D14/218
D602,918 S *	10/2009	Bodley et al.	D14/225
D602,919 S *	10/2009	Bodley et al.	D14/225
D604,723 S *	11/2009	Bodley et al.	D14/225
D605,178 S *	12/2009	Maier et al.	D14/218
D608,303 S *	1/2010	Klausing et al.	D13/168
D614,608 S *	4/2010	Behling	D14/223
D626,534 S *	11/2010	Kim et al.	D14/218
D630,388 S *	1/2011	Lai	D30/199
D634,735 S *	3/2011	Maier	D14/218
D647,510 S *	10/2011	Maier et al.	D14/218
D647,511 S *	10/2011	Maier et al.	D14/218
D649,138 S *	11/2011	Akana et al.	D14/218

* cited by examiner

Primary Examiner — John Windmuller

(74) *Attorney, Agent, or Firm* — Senniger Powers LLP

(57) **CLAIM**

The ornamental design for a remote control, as shown and described.

DESCRIPTION

FIG. 1 is a perspective view of a remote control showing our new design with the front plate of the control in a first position;

FIG. 2 is the same perspective view with the front plate on the control slid to a second position;

FIG. 3 is the same perspective view with the front plate slid to a third position;

FIG. 4 is a front elevation thereof;

FIG. 5 is a rear elevation thereof;

FIG. 6 is a left side elevation view thereof, with a right side elevation being identical;

FIG. 7 is a top plan view thereof; and,

FIG. 8 is a bottom plan view thereof.

1 Claim, 7 Drawing Sheets

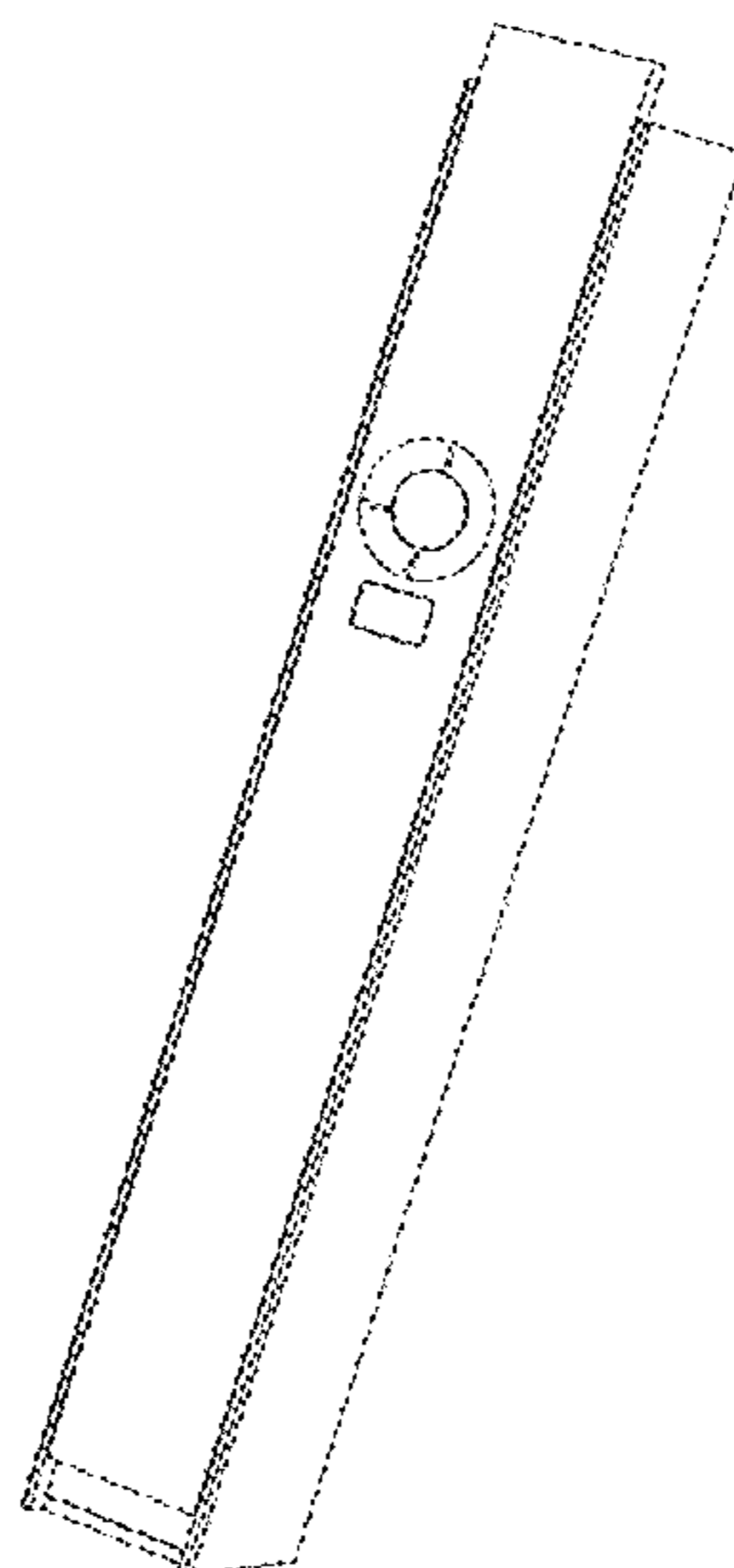


FIG. 1

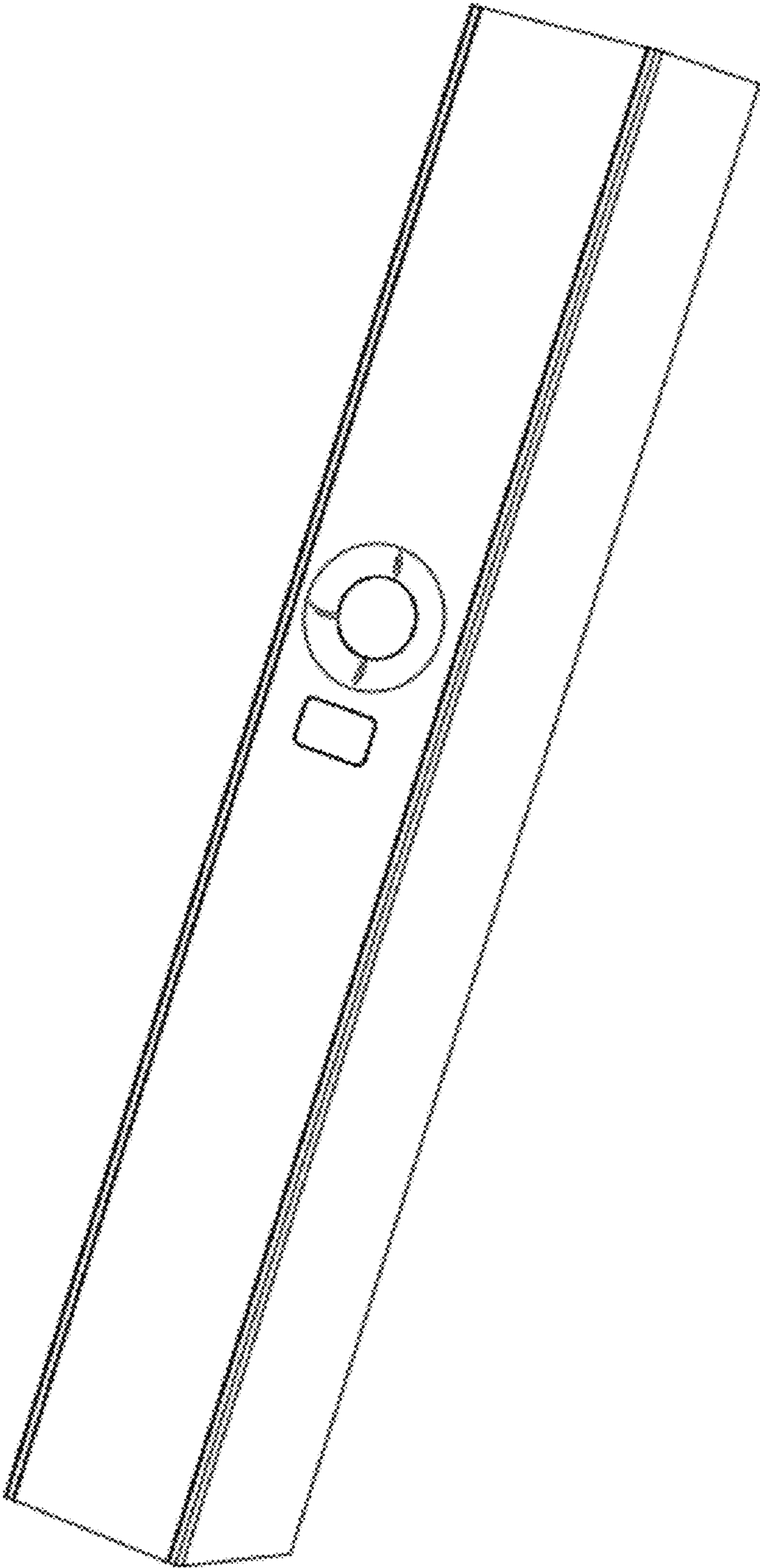


FIG. 2

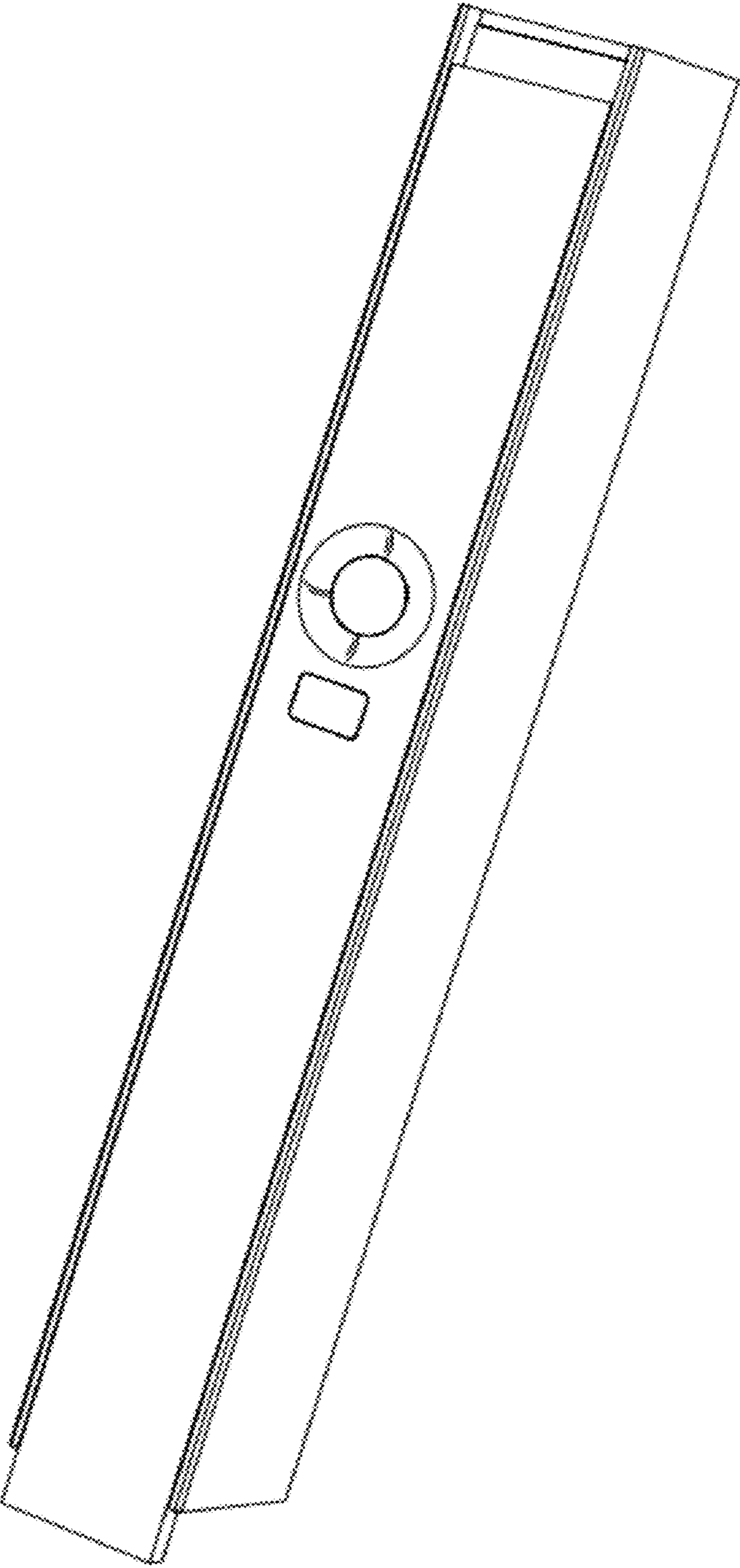


FIG. 3

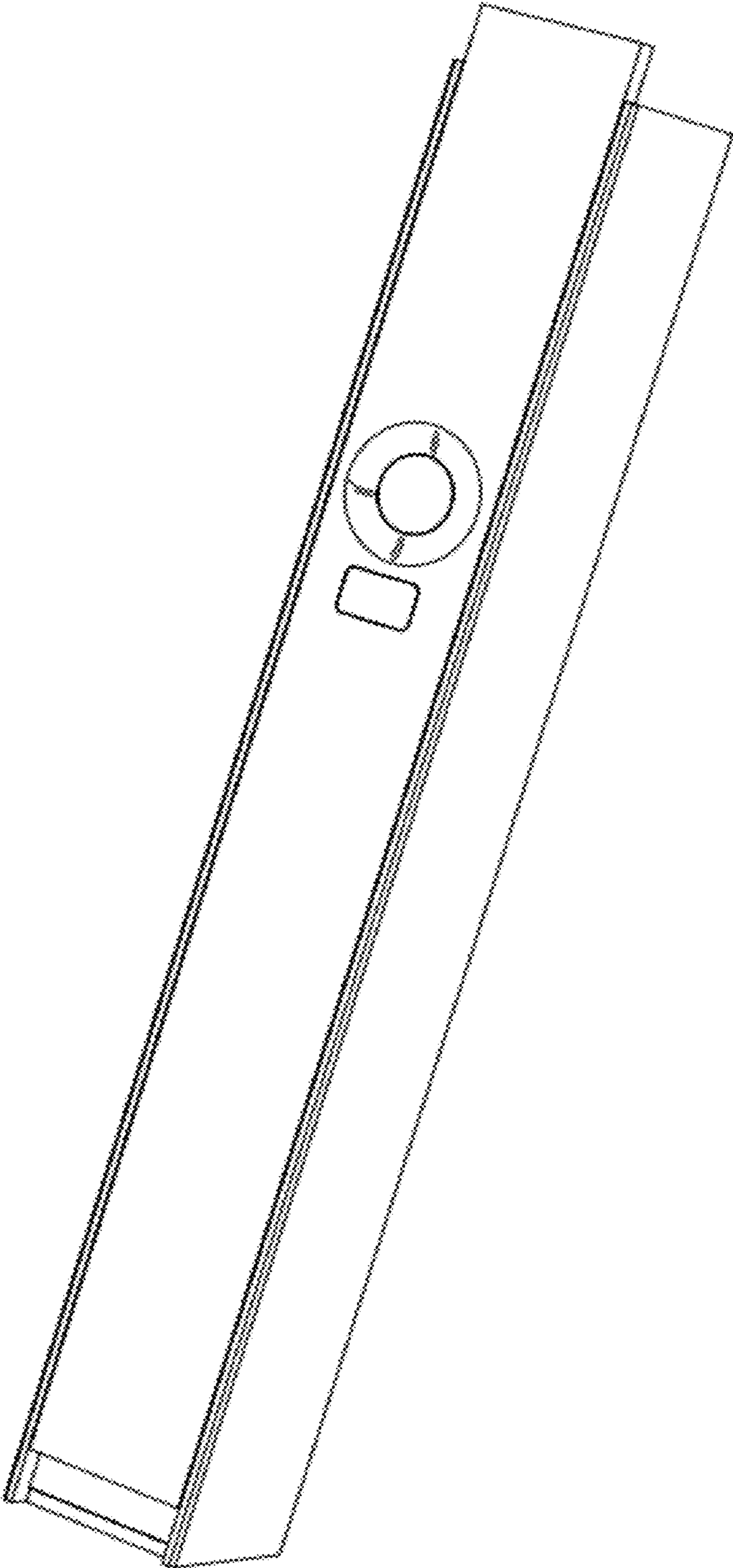


FIG. 4

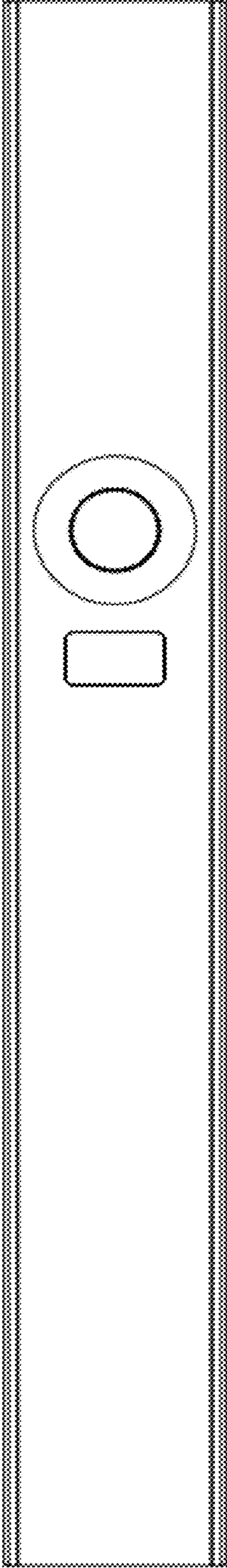


FIG. 5

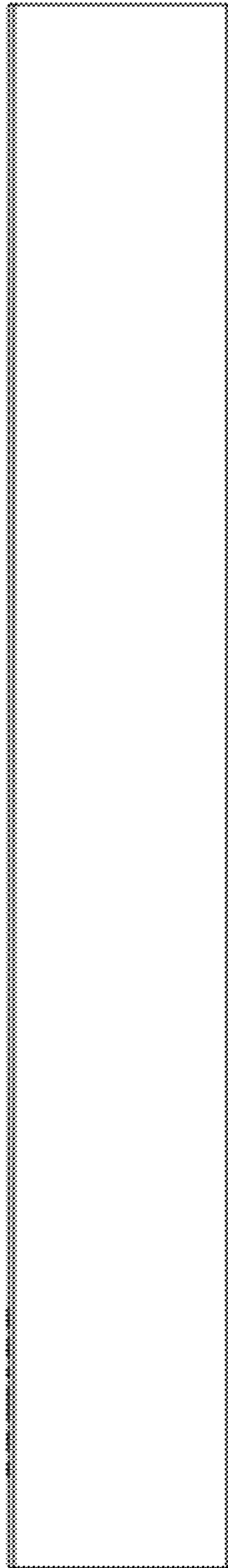


FIG. 6

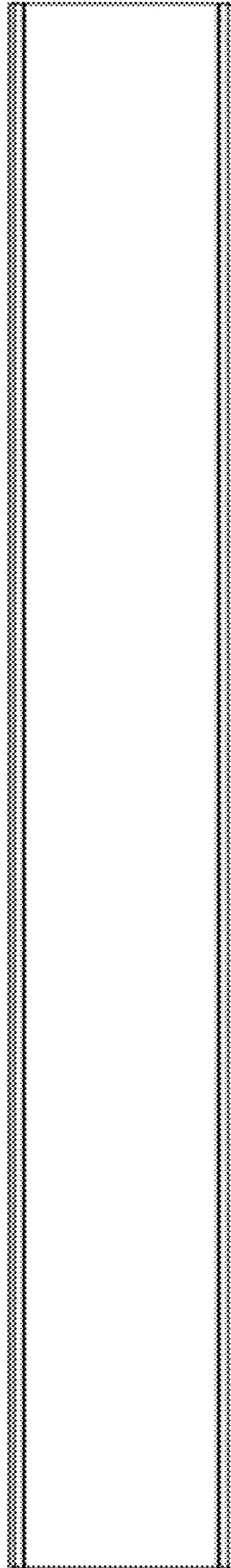


FIG. 7

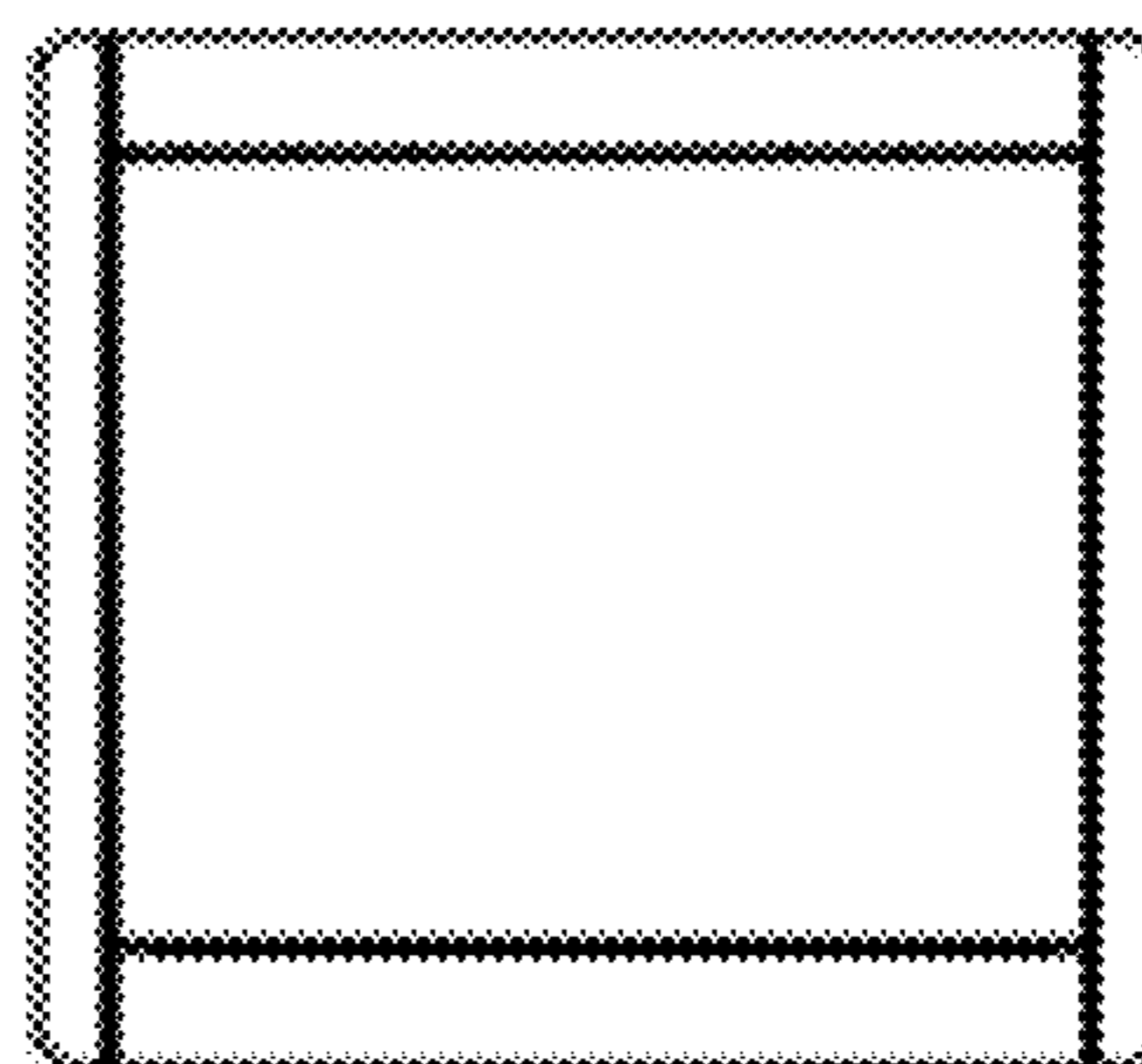


FIG. 8

