



US00D673136S

(12) **United States Design Patent**  
**Kelly et al.**

(10) **Patent No.:** **US D673,136 S**  
(45) **Date of Patent:** **\*\* Dec. 25, 2012**

(54) **HEADPHONE**

(75) Inventors: **Peter M. Kelly**, Park City, UT (US);  
**Daniel A. Levine**, Newport Beach, CA  
(US); **Donald C. Stiff**, Park City, UT  
(US)

(73) Assignee: **Skullcandy, Inc.**, Park City, UT (US)

(\*\*) Term: **14 Years**

(21) Appl. No.: **29/406,819**

(22) Filed: **Nov. 18, 2011**

(51) **LOC (9) Cl.** ..... **14-01**

(52) **U.S. Cl.** ..... **D14/205**

(58) **Field of Classification Search** ..... D14/205,  
D14/206, 223; 181/129, 130, 135; 379/430,  
379/431; 381/380, 381, 370, 371; 455/90.3,  
455/575.2

See application file for complete search history.

(56) **References Cited**

**U.S. PATENT DOCUMENTS**

|           |    |   |         |                  |       |         |
|-----------|----|---|---------|------------------|-------|---------|
| D68,060   | S  | * | 8/1925  | Pacent           | ..... | D14/249 |
| 3,440,663 | A  | * | 4/1969  | Beguin           | ..... | 2/209   |
| 4,471,496 | A  | * | 9/1984  | Gardner et al.   | ..... | 2/209   |
| D328,074  | S  | * | 7/1992  | Yamazaki et al.  | ..... | D14/205 |
| D358,389  | S  | * | 5/1995  | Isono            | ..... | D14/205 |
| 5,551,090 | A  | * | 9/1996  | Thompson         | ..... | 2/209   |
| D394,062  | S  | * | 5/1998  | Chun             | ..... | D14/192 |
| D457,512  | S  | * | 5/2002  | Yoneda           | ..... | D14/205 |
| 7,072,483 | B2 | * | 7/2006  | Lenhard-Backhaus | ..... | 381/383 |
| D534,155  | S  | * | 12/2006 | Obata            | ..... | D14/205 |
| D540,301  | S  | * | 4/2007  | Obata            | ..... | D14/205 |
| D541,257  | S  | * | 4/2007  | Thursfield       | ..... | D14/205 |
| D552,077  | S  | * | 10/2007 | Brunner et al.   | ..... | D14/205 |
| D573,581  | S  | * | 7/2008  | Gondo et al.     | ..... | D14/205 |
| D585,871  | S  | * | 2/2009  | Lee              | ..... | D14/205 |

|          |   |   |         |                  |       |         |
|----------|---|---|---------|------------------|-------|---------|
| D588,100 | S | * | 3/2009  | Densho et al.    | ..... | D14/205 |
| D603,371 | S | * | 11/2009 | Boateng et al.   | ..... | D14/205 |
| D617,769 | S | * | 6/2010  | Birger           | ..... | D14/205 |
| D625,705 | S | * | 10/2010 | Ohori et al.     | ..... | D14/205 |
| D632,668 | S | * | 2/2011  | Brunner et al.   | ..... | D14/205 |
| D634,732 | S | * | 3/2011  | Kondo et al.     | ..... | D14/205 |
| D652,406 | S | * | 1/2012  | Lee et al.       | ..... | D14/205 |
| D656,480 | S | * | 3/2012  | McManigal et al. | ..... | D14/205 |
| D657,344 | S | * | 4/2012  | Brunner et al.   | ..... | D14/205 |
| D657,346 | S | * | 4/2012  | Park             | ..... | D14/205 |

(Continued)

*Primary Examiner* — Paula Greene

(74) *Attorney, Agent, or Firm* — TraskBritt, P.C.

(57) **CLAIM**

The ornamental design for a headphone, as shown and described.

**DESCRIPTION**

FIG. 1 is a perspective view of a first embodiment of a headphone;

FIG. 2 is a top view of the headphone shown in FIG. 1;

FIG. 3 is a bottom view of the headphone shown in FIG. 1;

FIG. 4 is a right side view of the headphone shown in FIG. 1;

FIG. 5 is a left side view of the headphone shown in FIG. 1;

FIG. 6 is a front view of the headphone shown in FIG. 1;

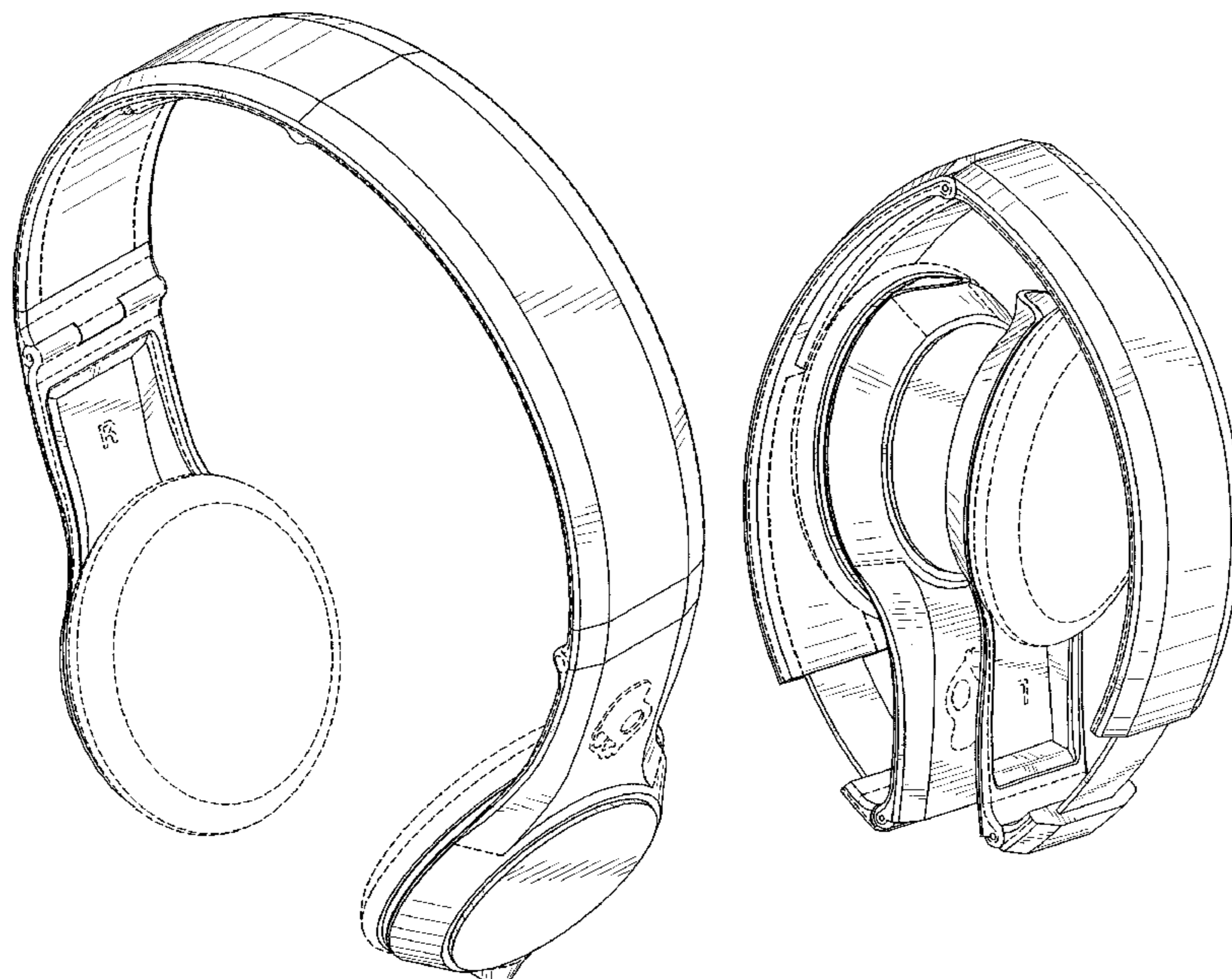
FIG. 7 is a rear view of the headphone shown in FIG. 1;

FIG. 8 is a perspective view of a second embodiment of the headphone shown in FIG. 1 having a folded configuration; and,

FIG. 9 is an exploded perspective view of a third embodiment of the headphone shown in FIG. 1 having removable speaker members.

The broken lines in FIGS. 1-9 are for environmental purposes only and do not form any part of the claimed design.

**1 Claim, 8 Drawing Sheets**



# US D673,136 S

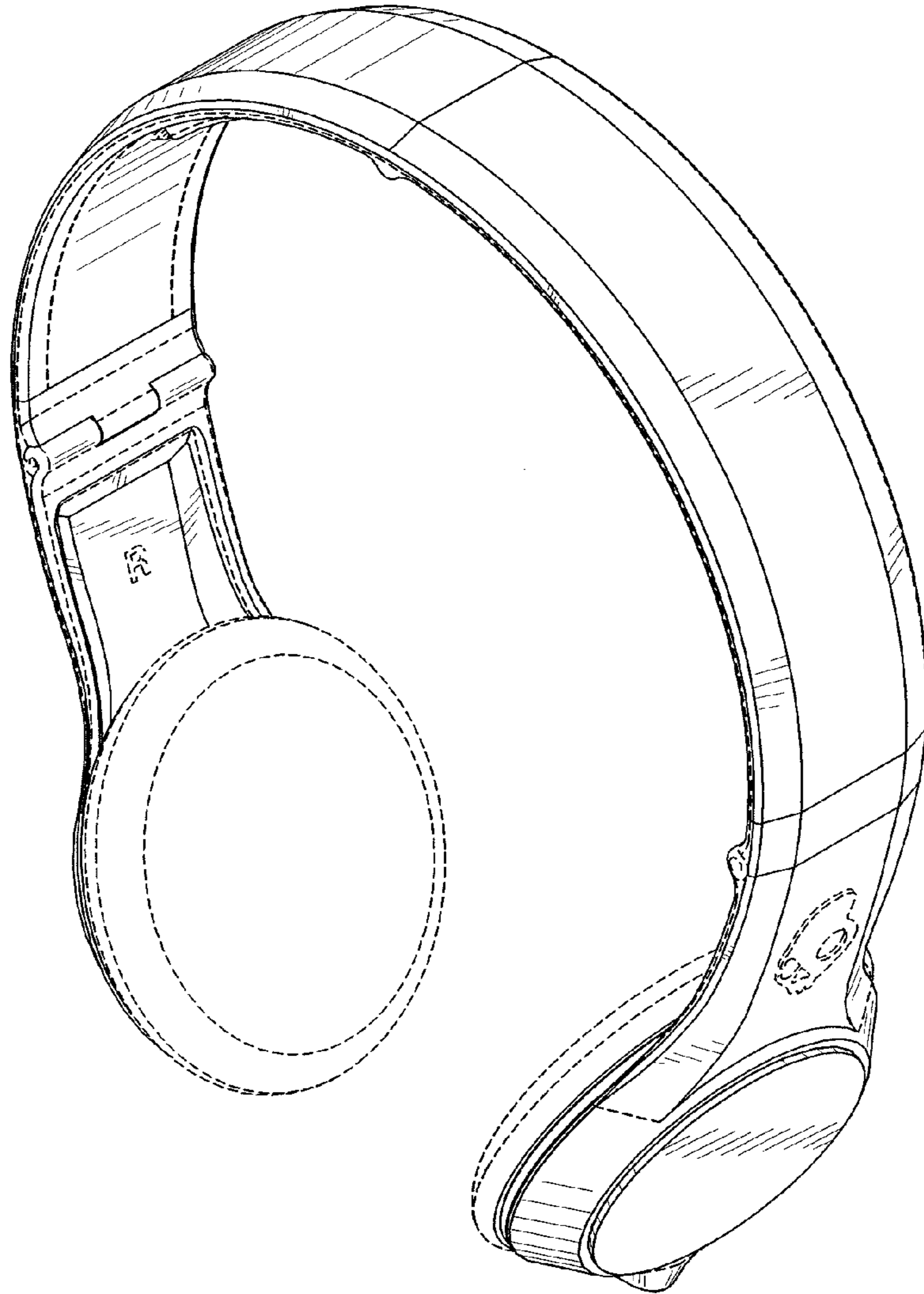
Page 2

---

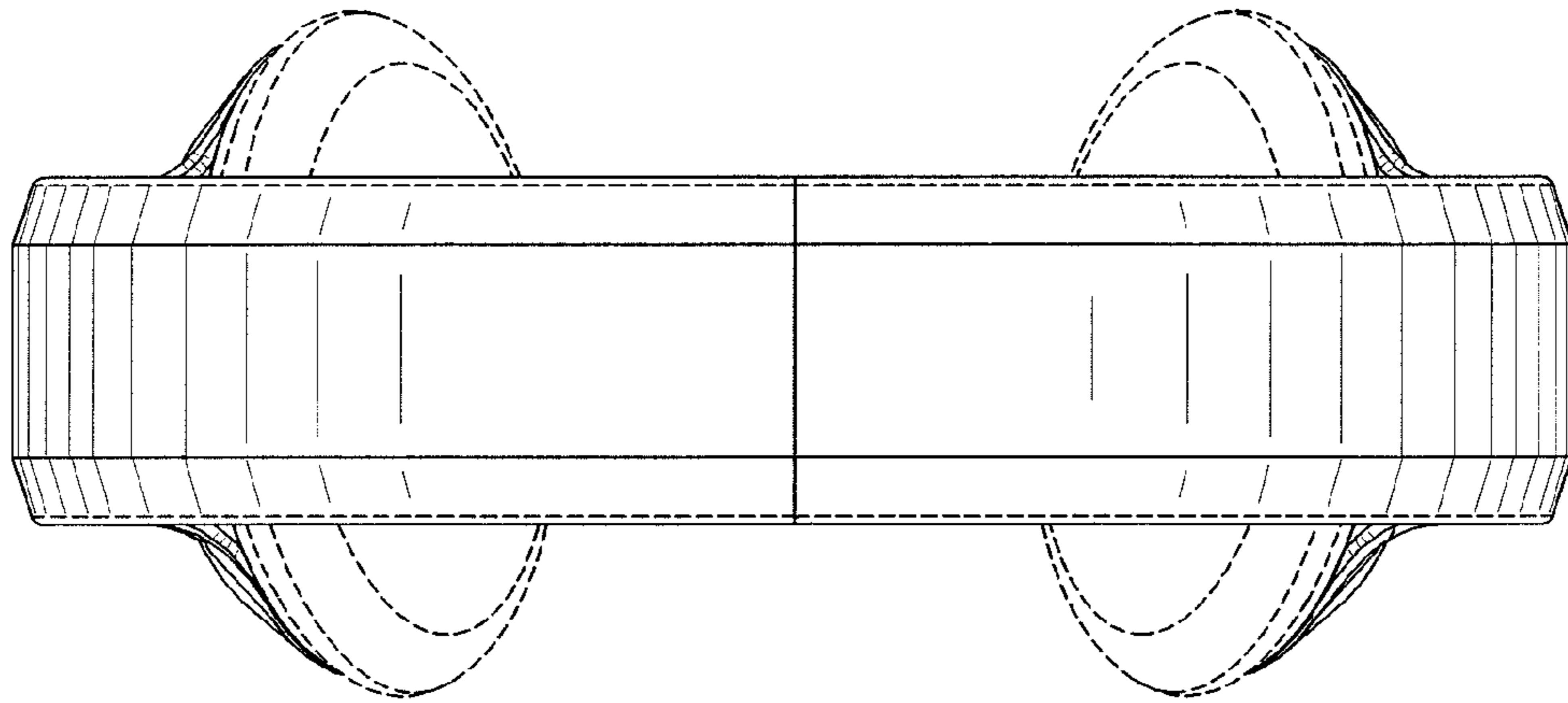
## U.S. PATENT DOCUMENTS

|              |        |                     |         |              |        |                       |         |
|--------------|--------|---------------------|---------|--------------|--------|-----------------------|---------|
| D658,156 S * | 4/2012 | Olodort et al. .... | D14/205 | D662,490 S * | 6/2012 | McSweyn .....         | D14/205 |
| D660,823 S * | 5/2012 | Hardi et al. ....   | D14/205 | D663,716 S * | 7/2012 | Hardi et al. ....     | D14/205 |
| D660,824 S * | 5/2012 | Hardi et al. ....   | D14/205 | D664,114 S * | 7/2012 | Tsuchiya .....        | D14/205 |
| D662,080 S * | 6/2012 | Carr et al. ....    | D14/205 | D664,118 S * | 7/2012 | Tappeiner et al. .... | D14/205 |

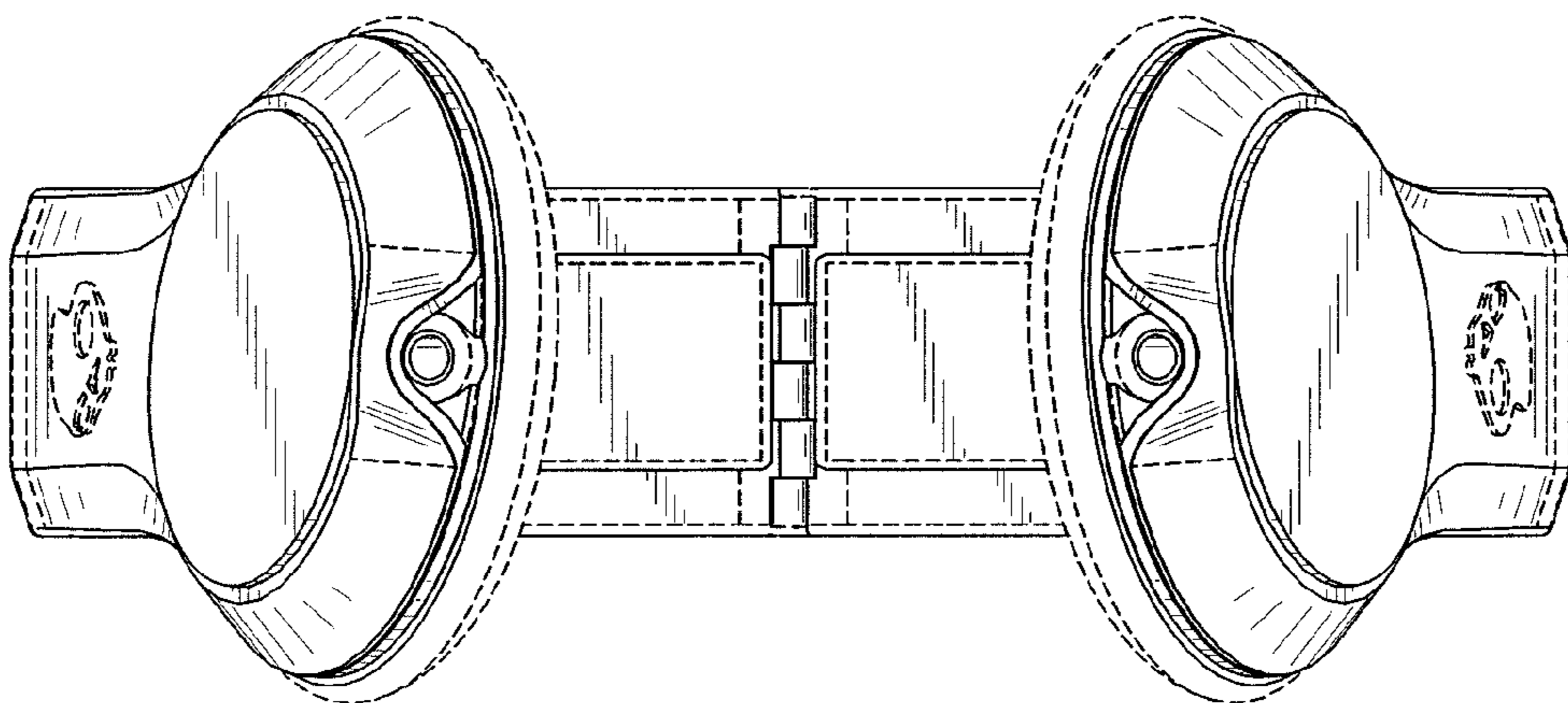
\* cited by examiner



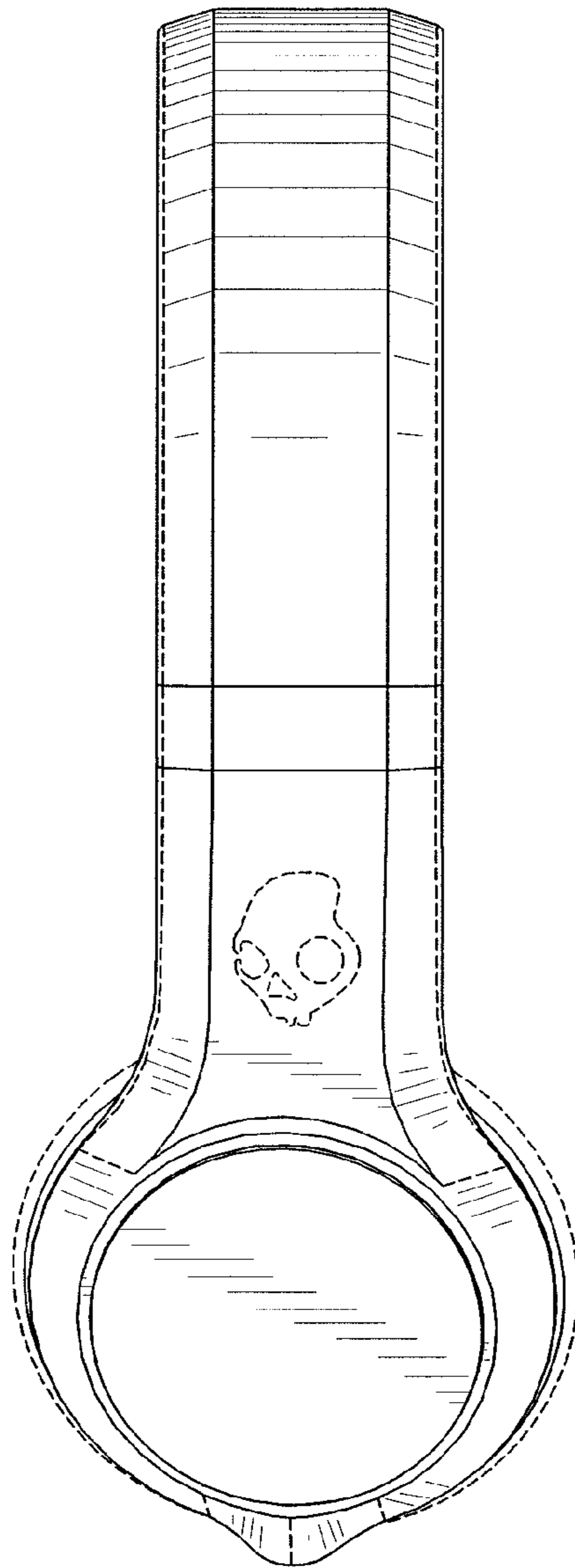
**FIG. 1**



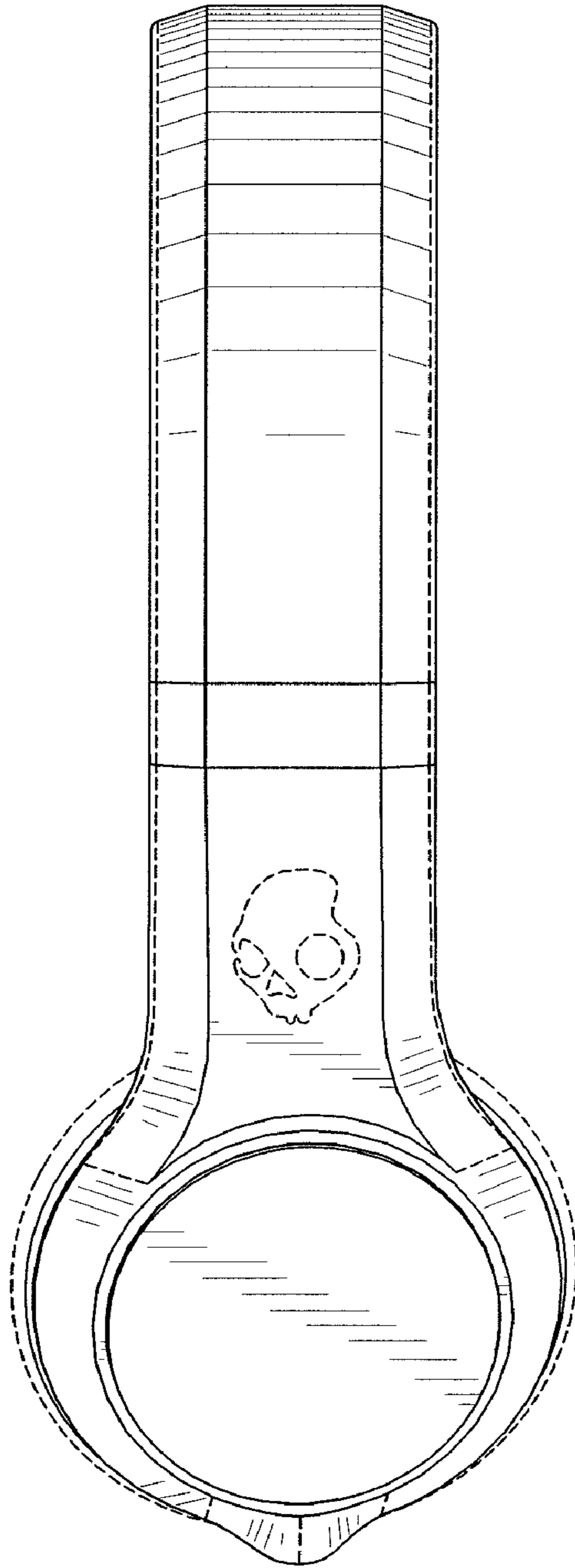
**FIG. 2**



**FIG. 3**



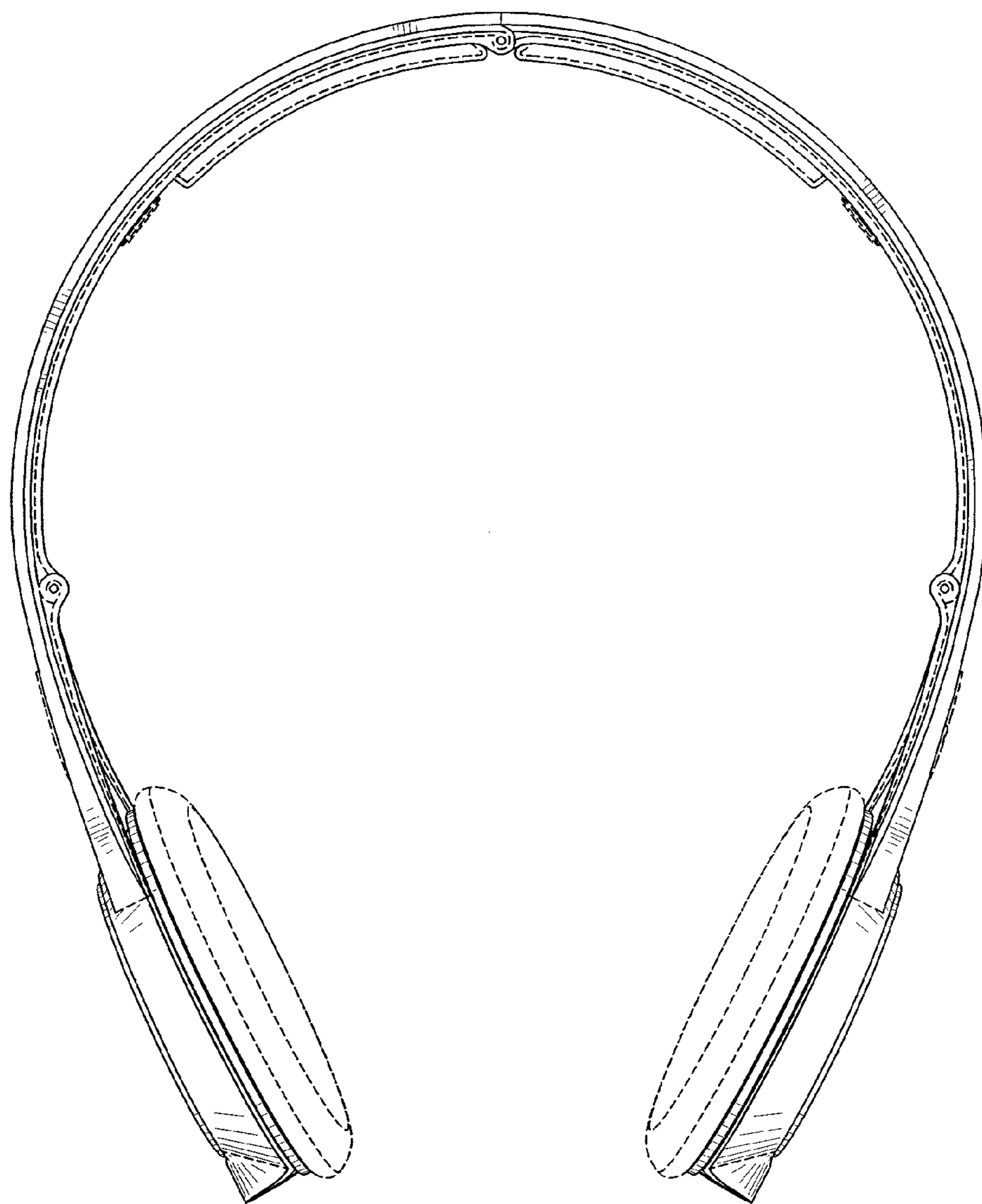
**FIG. 4**



**FIG. 5**

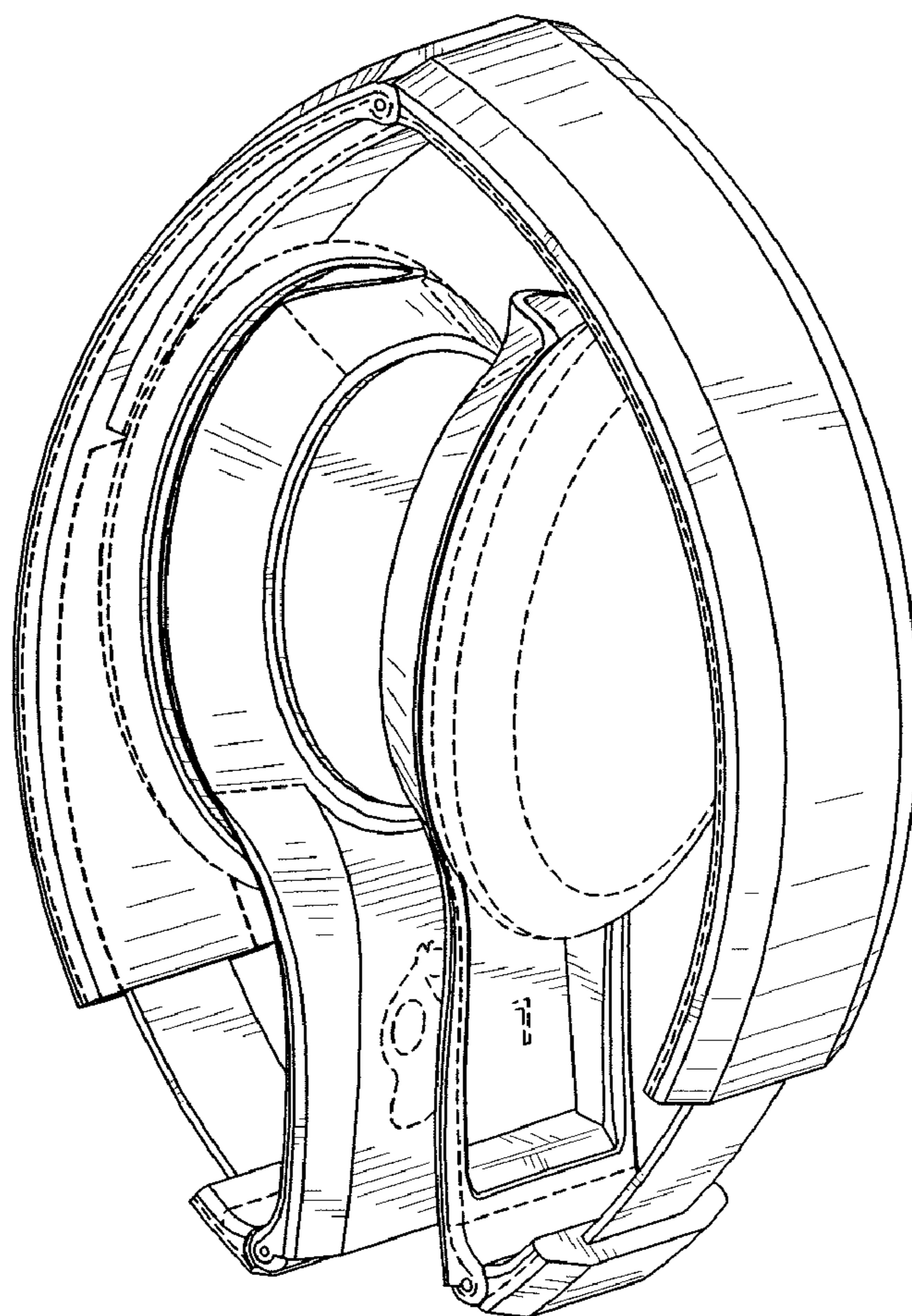


FIG. 6



**FIG. 7**





**FIG. 8**



FIG. 9