



US00D673129S

(12) **United States Design Patent**
Kumano

(10) **Patent No.:** **US D673,129 S**
(45) **Date of Patent:** **** Dec. 25, 2012**

- (54) **PANEL DISPLAY**
- (75) Inventor: **Daigaku Kumano**, Tokyo (JP)
- (73) Assignee: **Sony Corporation**, Tokyo (JP)
- (**) Term: **14 Years**
- (21) Appl. No.: **29/371,997**
- (22) Filed: **Apr. 12, 2012**

- D570,841 S 6/2008 Kim et al.
- D573,118 S 7/2008 Yang et al.
- D573,559 S 7/2008 Kim et al.
- D601,143 S 9/2009 Oikawa et al.
- D609,658 S 2/2010 Kim et al.
- D609,660 S 2/2010 VanDuyn et al.
- D609,661 S 2/2010 VanDuyn et al.
- D609,705 S * 2/2010 Andre et al. D14/374
- D615,508 S 5/2010 Kumano
- D624,513 S 9/2010 Mitsuhashi
- D629,373 S 12/2010 Kim et al.
- D630,209 S 1/2011 Lee et al.

(Continued)

Related U.S. Application Data

- (62) Division of application No. 29/347,609, filed on Mar. 12, 2010, now Pat. No. Des. 659,660.
- (51) **LOC (9) Cl.** **14-03**
- (52) **U.S. Cl.** **D14/126**
- (58) **Field of Classification Search** D14/125-134, D14/239, 371, 136, 374-377, 440, 450, 448, D14/336, 342; 312/7.2; 348/836, 838, 180, 348/184, 325, 739; 341/12; 248/917-924, 248/465; 345/104, 133, 156, 168, 87, 173; 720/605, 669, 600, 655; 369/99, 197; D21/329, D21/515, 577, 622, 333, 433, 448, 452, 450, D21/331; D6/477, 479, 300; 273/148 B; 446/484, 175, 356; D10/15, 26

See application file for complete search history.

FOREIGN PATENT DOCUMENTS

- JP D1106380 S 4/2001
- (Continued)

Primary Examiner — Raphael Barkai
Assistant Examiner — Randall Gholsen
 (74) *Attorney, Agent, or Firm* — Rader, Fishman & Grauer PLLC

(57) **CLAIM**
 The ornamental design for a panel display, as shown and described.

DESCRIPTION

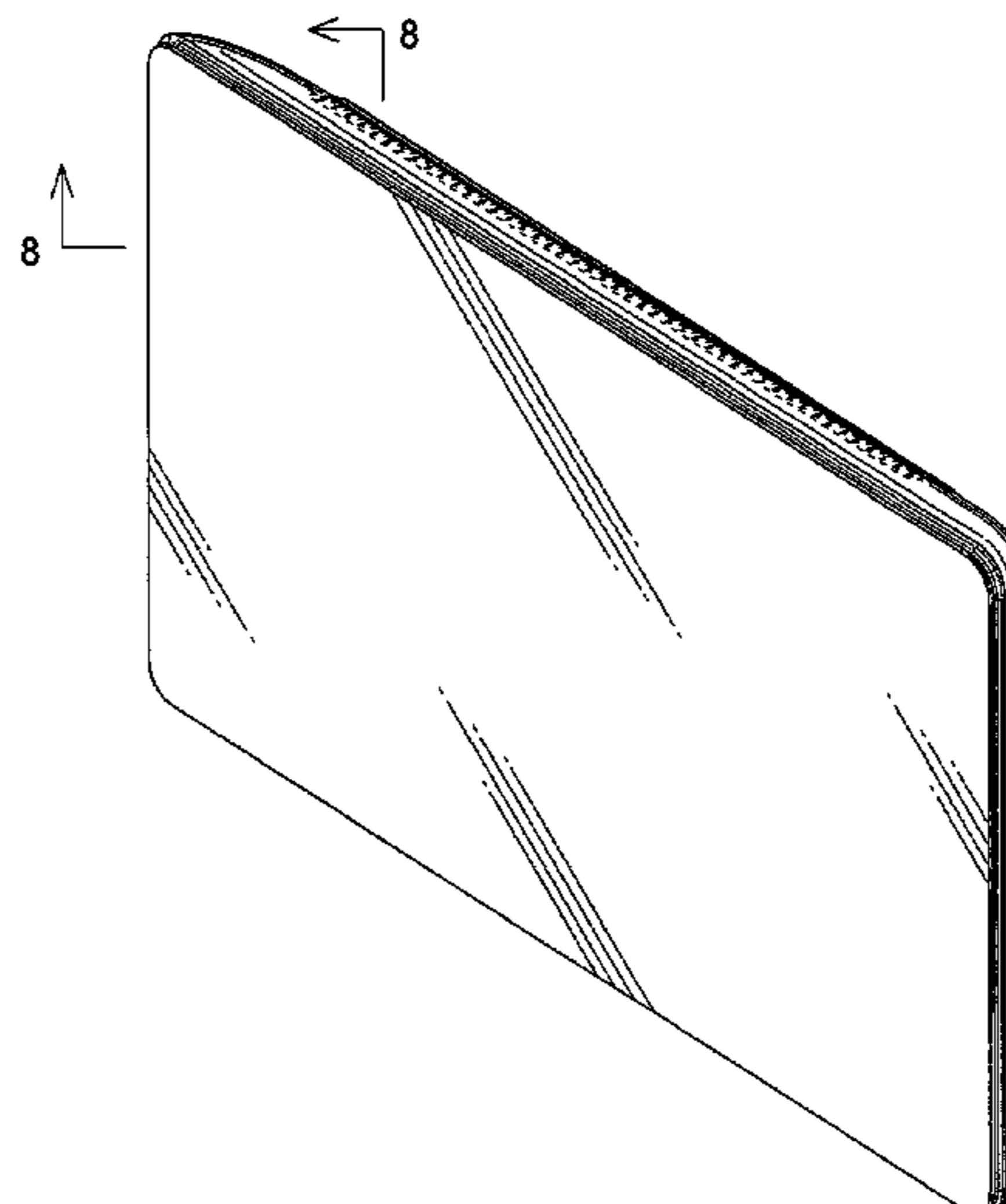
FIG. 1 is a perspective view of a panel display showing my new design;
 FIG. 2 is a front elevational view thereof;
 FIG. 3 is a rear elevational view thereof;
 FIG. 4 is a left side elevational view thereof;
 FIG. 5 is a right side elevational view thereof;
 FIG. 6 is a top plan view thereof; and
 FIG. 7 is a bottom plan view thereof; and,
 FIG. 8 is an enlarged perspective view along the line 8-8 of FIG. 1.
 Portions in broken lines are for illustrative purposes only and form no part of claimed design. Dot-dash broken lines define the boundaries of, but not included in, the claimed design.

1 Claim, 6 Drawing Sheets

(56) **References Cited**

U.S. PATENT DOCUMENTS

- D380,213 S 6/1997 Morimiya
- D432,102 S 10/2000 Arie
- D455,725 S 4/2002 Isono
- D474,452 S 5/2003 Kanatani
- D474,453 S 5/2003 Kanatani
- D488,451 S 4/2004 Niitsu
- D501,185 S 1/2005 Sato et al.
- D534,508 S 1/2007 Yamada
- D541,765 S 5/2007 Niitsu
- D545,777 S * 7/2007 Kim D14/126
- D556,159 S 11/2007 Park et al.
- D556,160 S 11/2007 Lee et al.
- D567,199 S 4/2008 Kim et al.



US D673,129 S

Page 2

U.S. PATENT DOCUMENTS

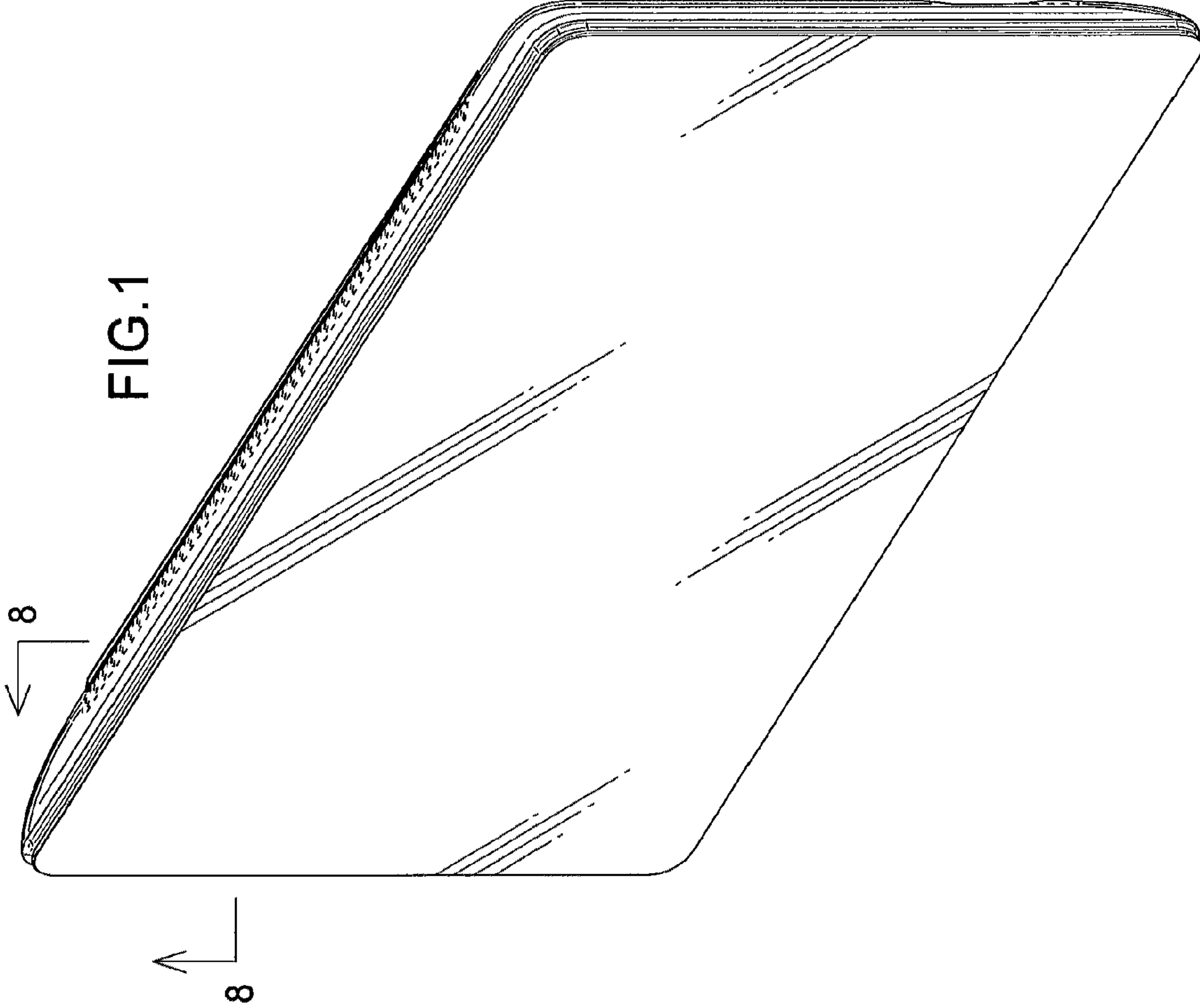
D637,195 S 5/2011 Stammers et al.

FOREIGN PATENT DOCUMENTS

JP D1150327 S 8/2002
JP D1158658 S 11/2002
JP D1224649 S 12/2004
JP D1224650 S 12/2004

JP D1322102 S 2/2008
JP D1322104 S 2/2008
JP D1245997 S 6/2008
JP D1337650 S 8/2008
JP D1367992 S 8/2009
JP D1368035 S 8/2009

* cited by examiner



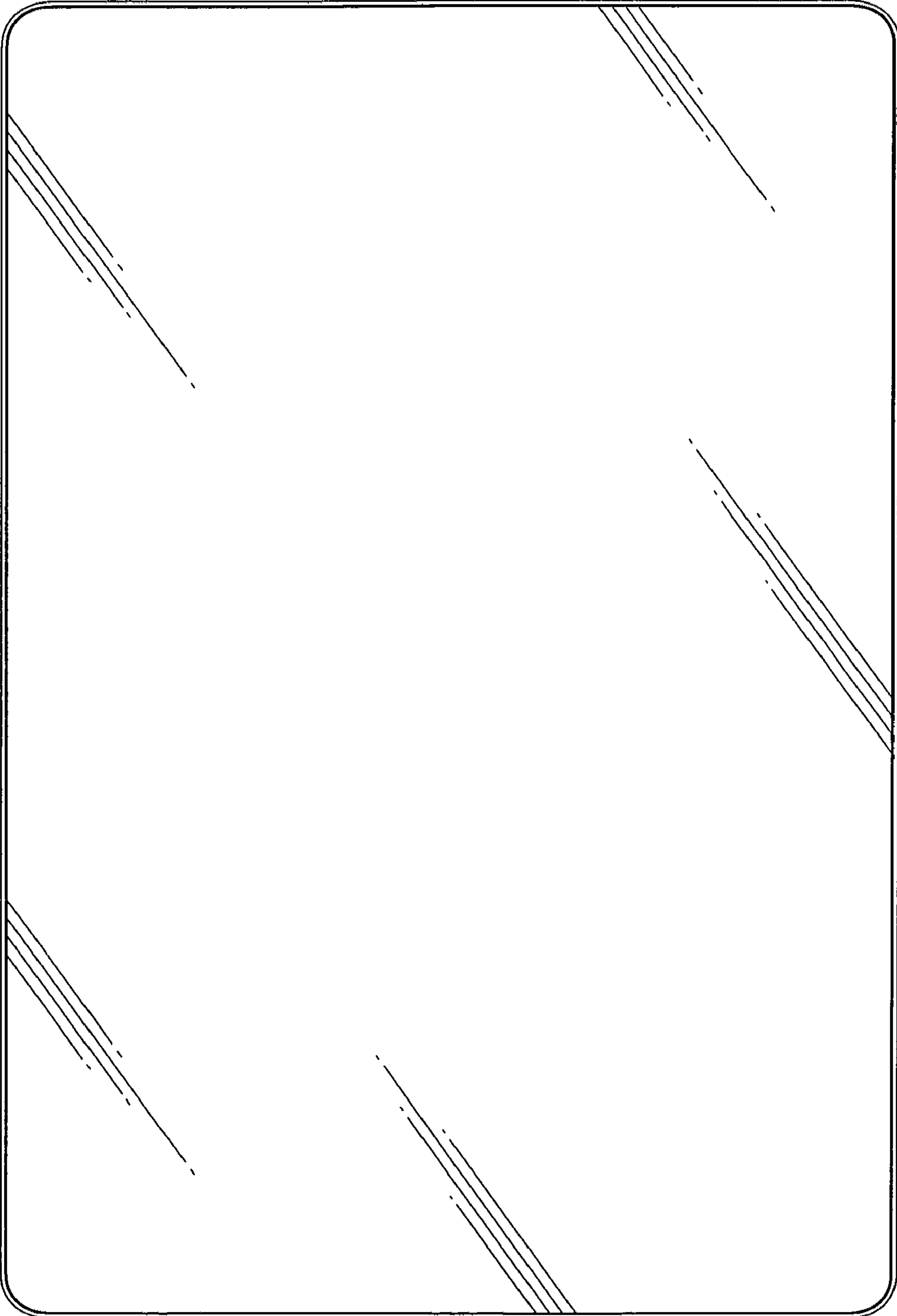


FIG.2

FIG. 3

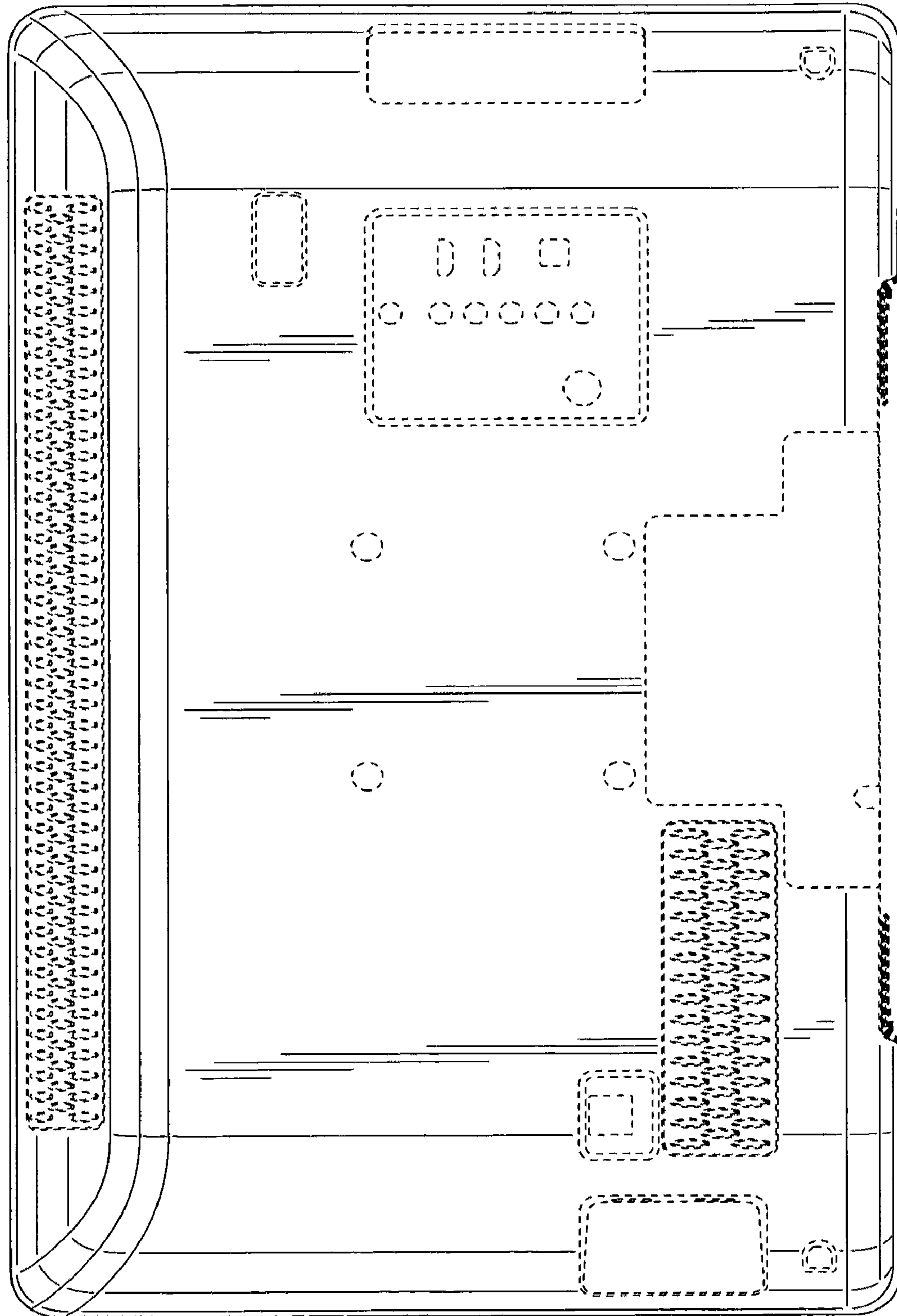


FIG.5

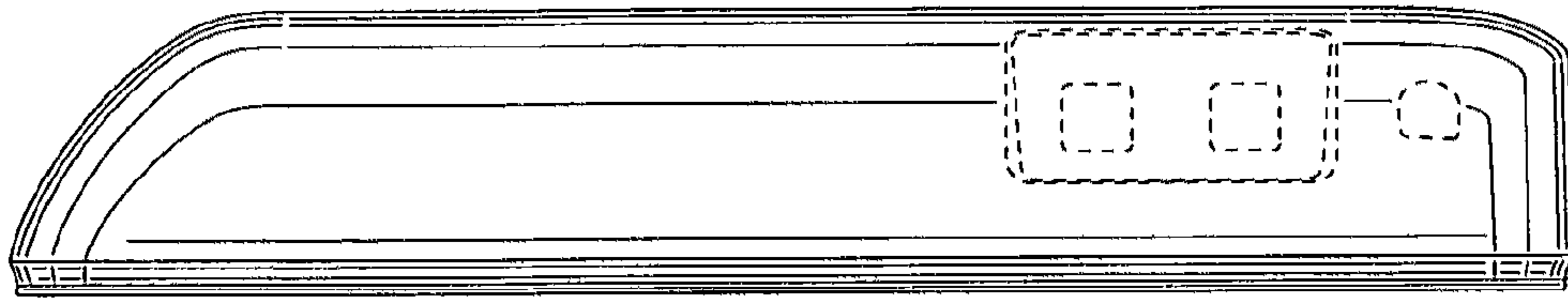


FIG.4

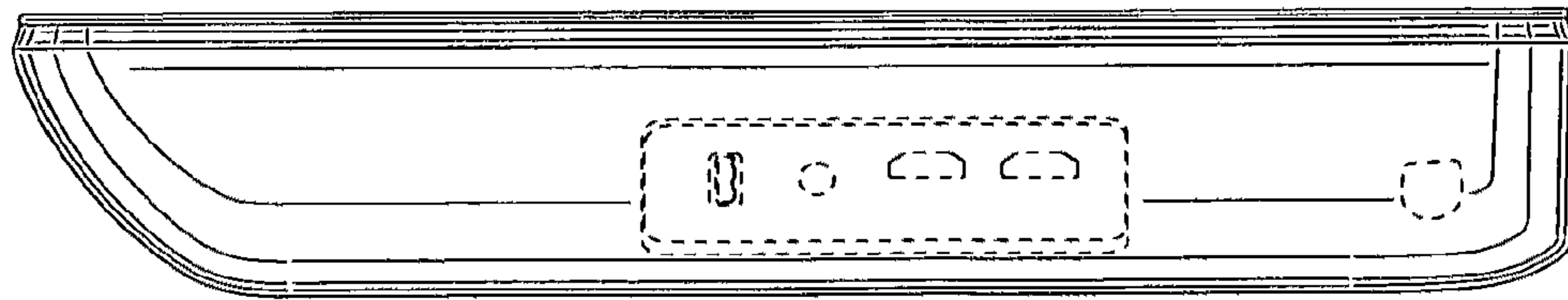


FIG.6

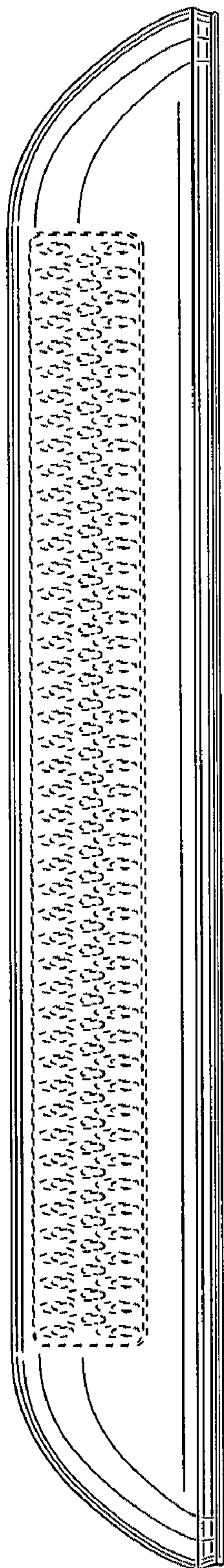


FIG.7

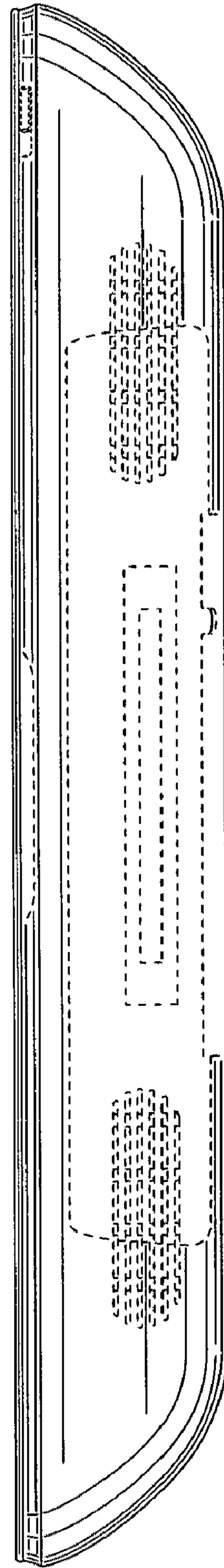


FIG. 8

