



US00D673127S

(12) **United States Design Patent**
Cho et al.

(10) **Patent No.:** **US D673,127 S**
(45) **Date of Patent:** **** Dec. 25, 2012**

(54) **LED PACKAGE**

(75) Inventors: **Hyun Seok Cho**, Seoul (KR); **Ji Min Park**, Seoul (KR)

(73) Assignee: **LG Innotek Co., Ltd.**, Seoul (KR)

(**) Term: **14 Years**

(21) Appl. No.: **29/404,719**

(22) Filed: **Oct. 25, 2011**

(30) **Foreign Application Priority Data**

Apr. 29, 2011 (KR) 30-2011-0017651

(51) **LOC (9) Cl.** **13-03**

(52) **U.S. Cl.** **D13/180**

(58) **Field of Classification Search** D13/180;
D26/1, 2; 257/79, 80, 81, 88, 89, 95, 98,
257/99, 100, E33.058; 313/483, 498, 500;
362/555, 800

See application file for complete search history.

(56) **References Cited**

U.S. PATENT DOCUMENTS

D524,260 S * 7/2006 Ishizaka et al. D13/180
D573,553 S * 7/2008 Uemoto et al. D13/180

D592,162 S * 5/2009 Sugimoto et al. D13/180
D592,615 S * 5/2009 Imai et al. D13/180
D615,933 S * 5/2010 Ono et al. D13/180
D623,607 S * 9/2010 Andrews et al. D13/180
D624,887 S * 10/2010 Takahashi et al. D13/180
D629,368 S * 12/2010 Chou D13/180
D649,521 S * 11/2011 Lin D13/180
D650,760 S * 12/2011 Hussell et al. D13/180
2009/0135581 A1 * 5/2009 Yano et al. 362/84

* cited by examiner

Primary Examiner — Selina Sikder

(74) *Attorney, Agent, or Firm* — Lowe Hauptman Ham & Berner, LLP

(57) **CLAIM**

The ornamental design for a LED package, as shown and described.

DESCRIPTION

FIG. 1 is a perspective view of a LED package showing my/our new design;
FIG. 2 is a front elevational view thereof;
FIG. 3 is a rear elevational view thereof;
FIG. 4 is a left side elevational view thereof, the right side being a mirror image;
FIG. 5 is a top plan view thereof; and,
FIG. 6 is a bottom plan view thereof.

1 Claim, 3 Drawing Sheets

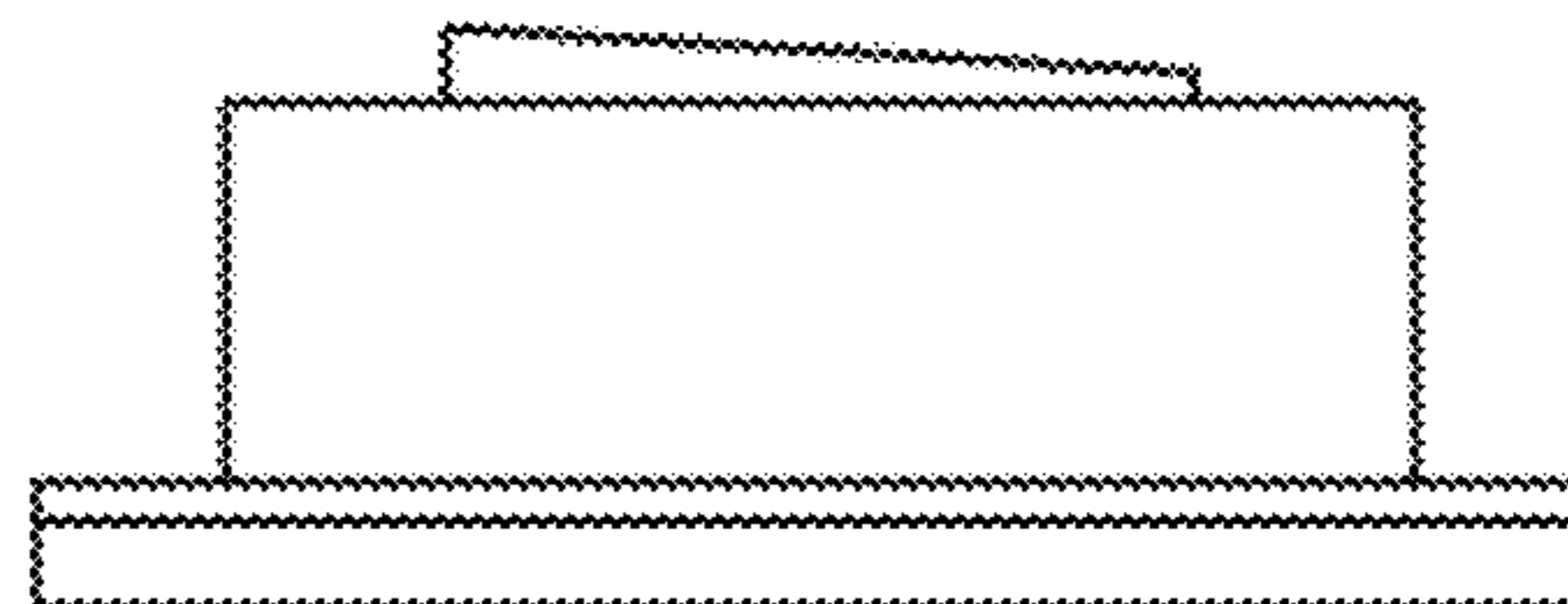
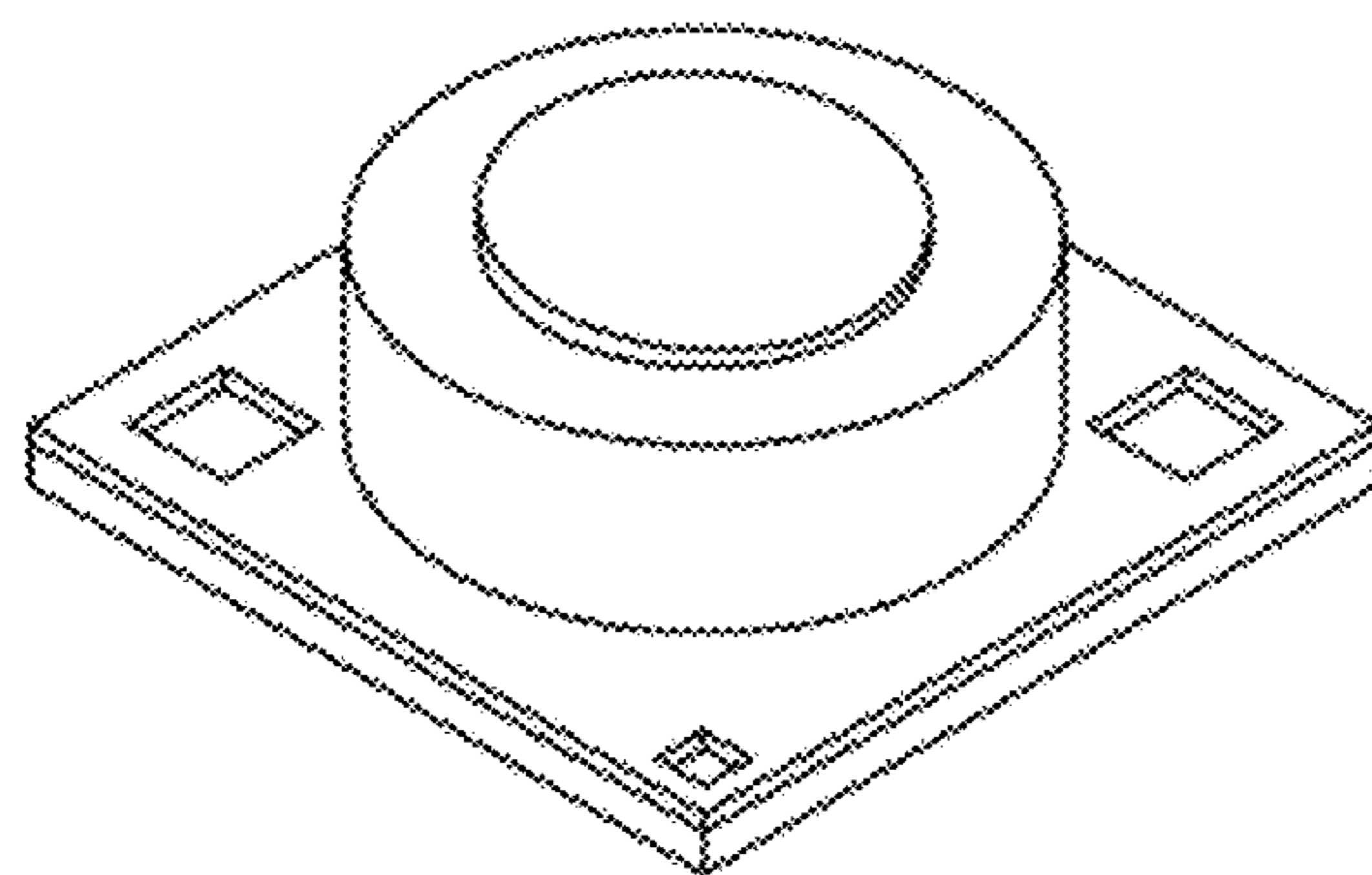


FIG. 1

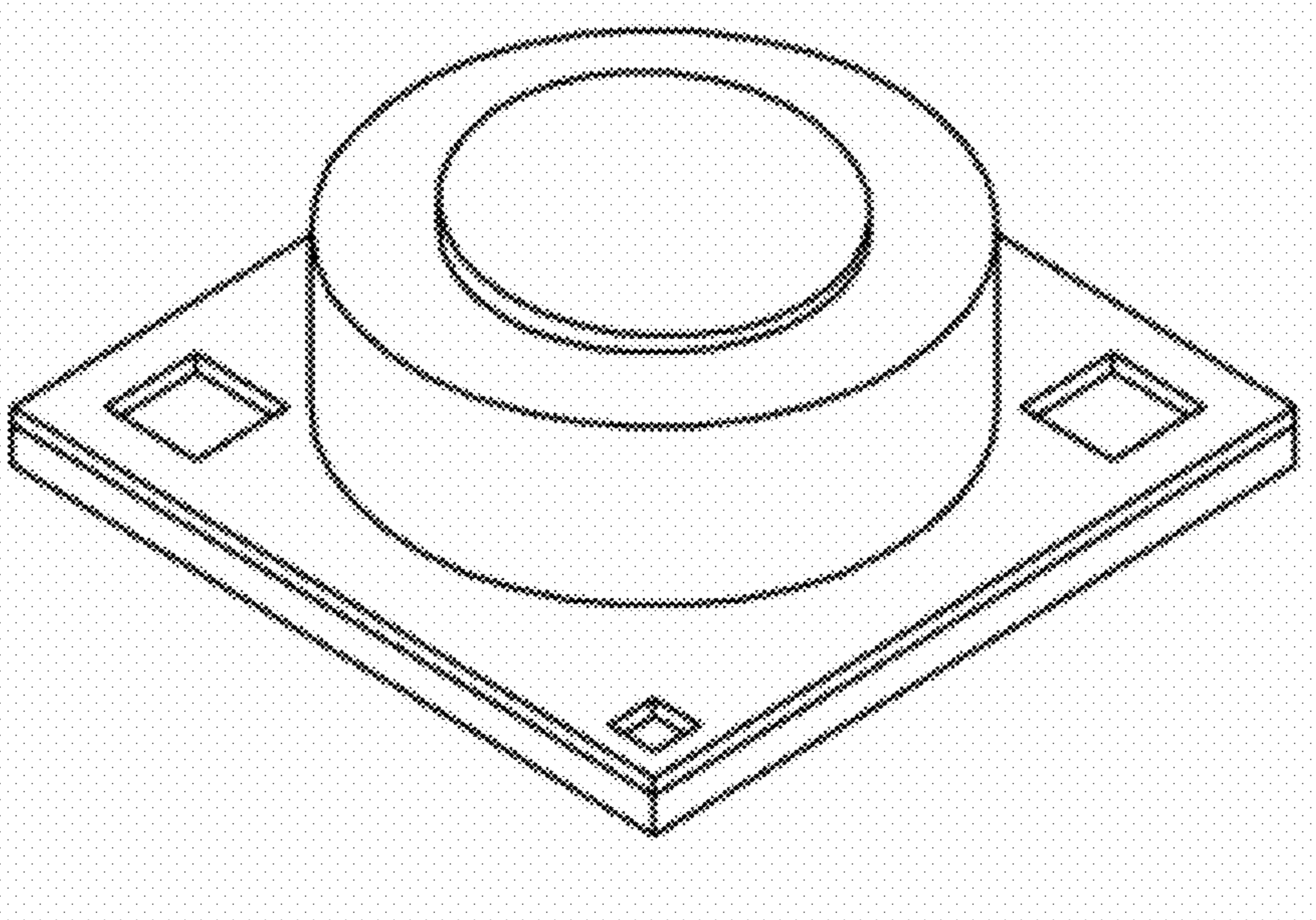


FIG. 2

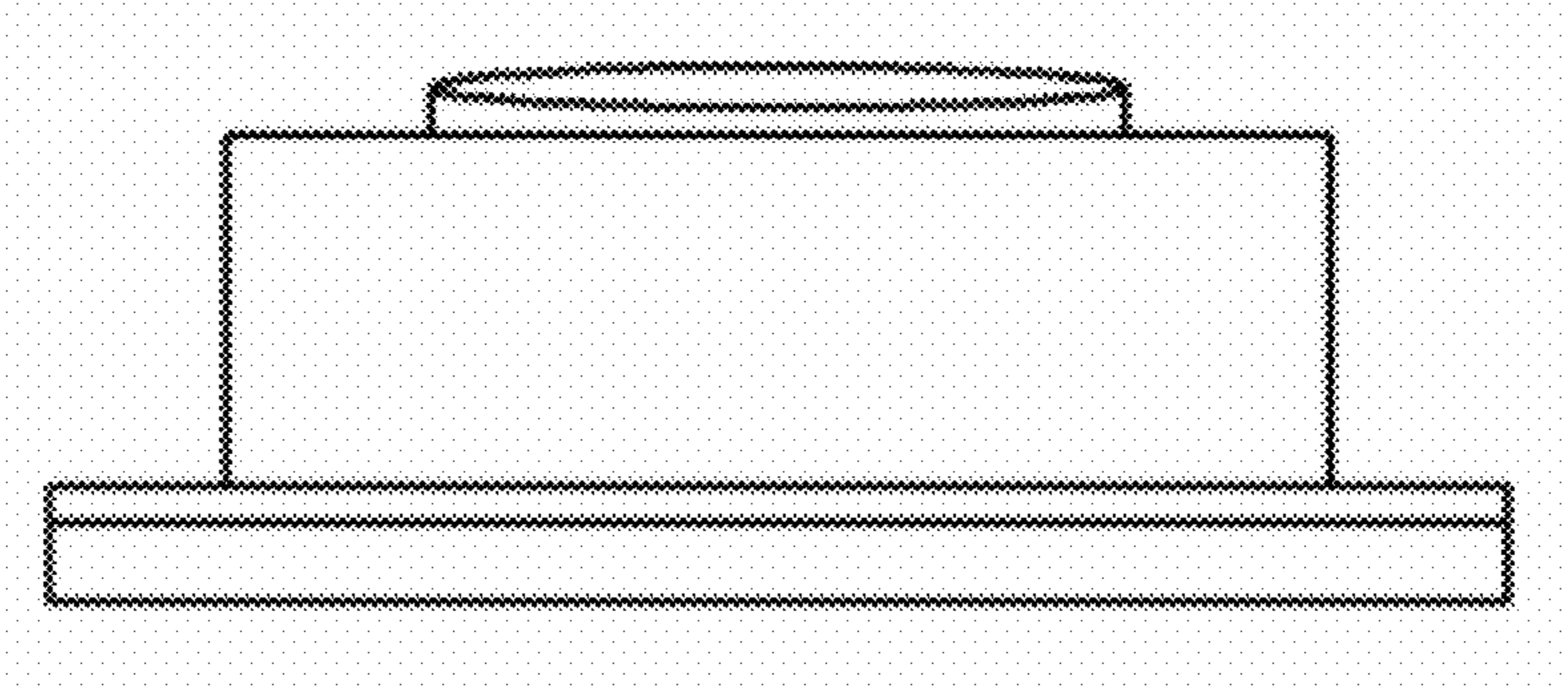


FIG. 3

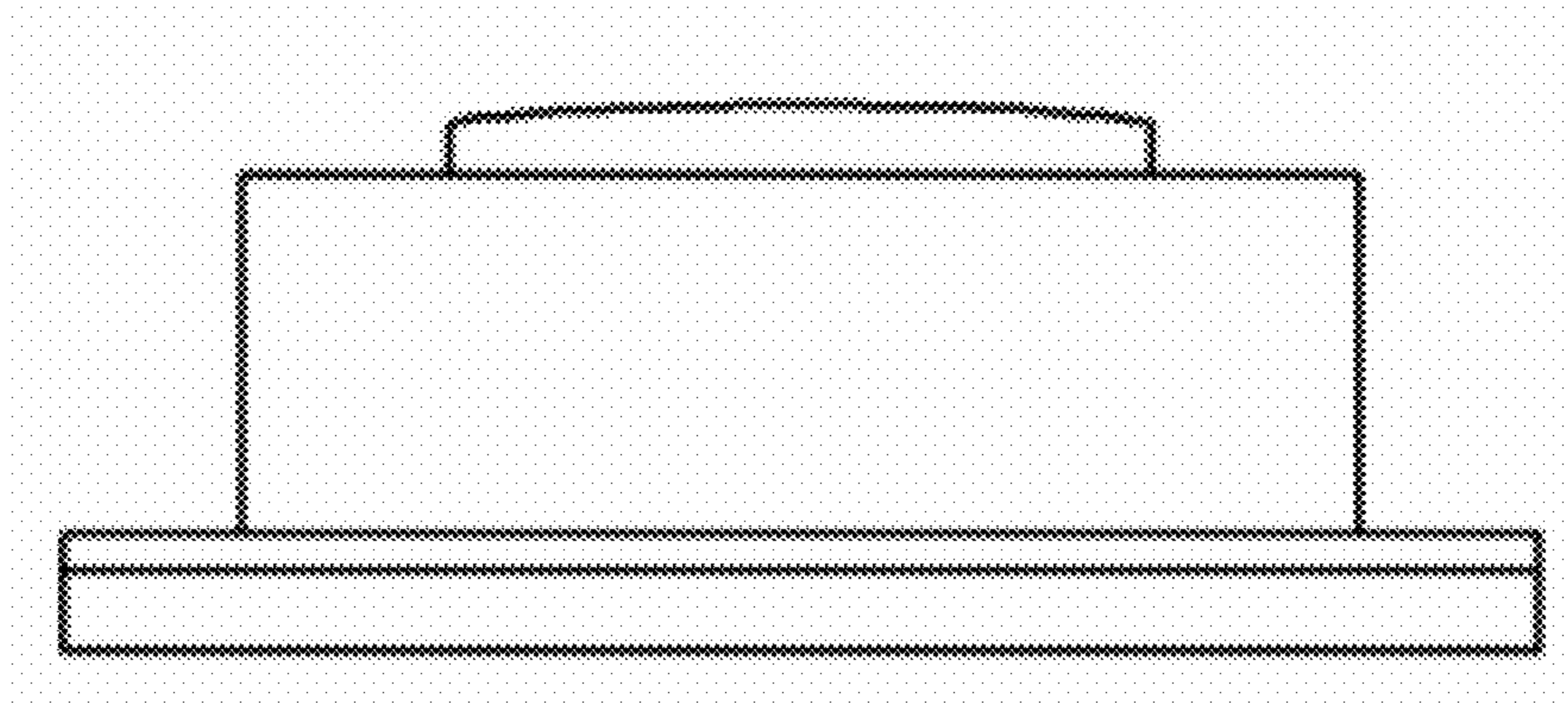


FIG. 4

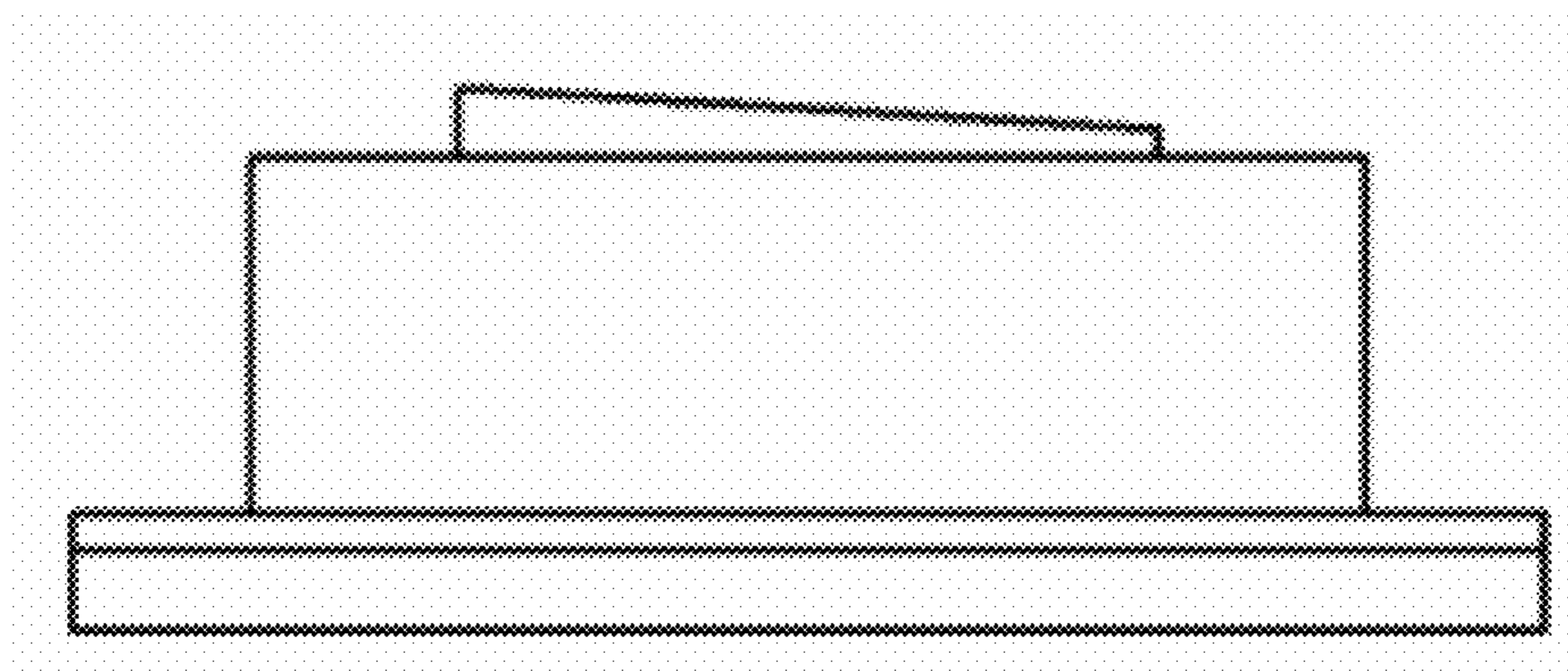


FIG. 5

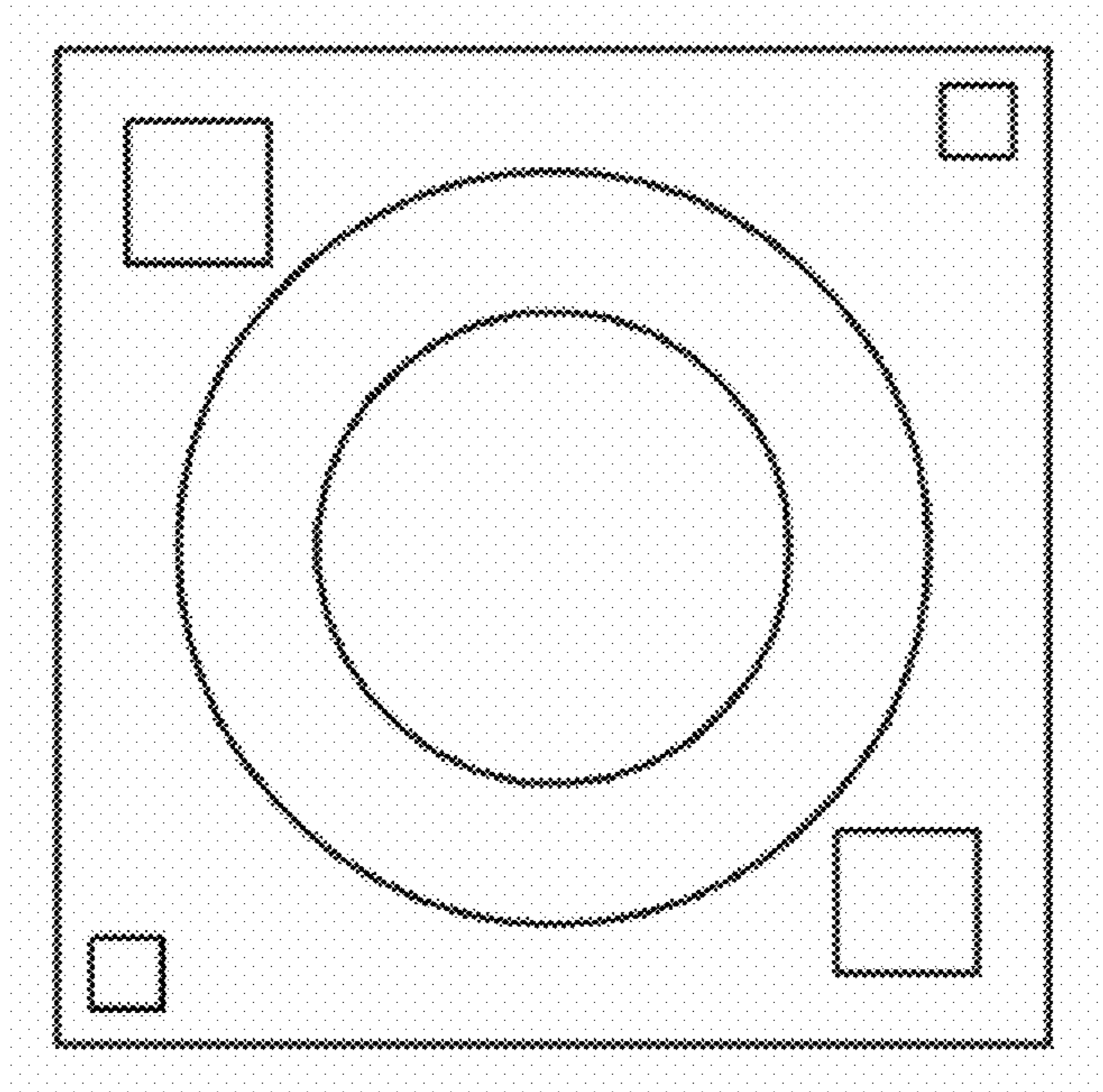


FIG. 6

