



US00D673124S

(12) **United States Design Patent**
Lin

(10) **Patent No.:** **US D673,124 S**

(45) **Date of Patent:** **** Dec. 25, 2012**

(54) **HEAT SINK**

(75) Inventor: **Chu-Keng Lin**, New Taipei (TW)

(73) Assignee: **Foxsemicon Integrated Technology, Inc.**, Chu-Nan, Miao-Li Hsien (TW)

(**) Term: **14 Years**

(21) Appl. No.: **29/409,668**

(22) Filed: **Dec. 28, 2011**

(51) **LOC (9) Cl.** **13-03**

(52) **U.S. Cl.** **D13/179**

(58) **Field of Classification Search** D13/179;
165/80.3, 104.26, 104.33, 122, 151, 185;
257/706, 707, 718-722; 361/695, 697, 700,
361/702, 704, 709, 710, 711, 719

See application file for complete search history.

(56) **References Cited**

U.S. PATENT DOCUMENTS

D379,799	S *	6/1997	Widmayer et al.	D13/179
6,397,931	B1 *	6/2002	Lin et al.	165/80.3
7,182,124	B2 *	2/2007	Chen	165/80.3
D613,258	S *	4/2010	Walker et al.	D13/179
D621,796	S *	8/2010	Hu et al.	D13/179
D621,797	S *	8/2010	Huang et al.	D13/179

D622,227	S *	8/2010	Huang et al.	D13/179
D622,228	S *	8/2010	Huang et al.	D13/179
D622,229	S *	8/2010	Yan et al.	D13/179
D622,230	S *	8/2010	Yan et al.	D13/179
D627,746	S *	11/2010	Yan et al.	D13/179
D638,376	S *	5/2011	Herrmann et al.	D13/179
7,957,146	B2 *	6/2011	Kraus et al.	361/709
8,113,697	B2 *	2/2012	Teng et al.	362/373
2008/0066888	A1 *	3/2008	Tong et al.	165/80.3

* cited by examiner

Primary Examiner — Selina Sikder

(74) *Attorney, Agent, or Firm* — Altis Law Group, Inc.

(57) **CLAIM**

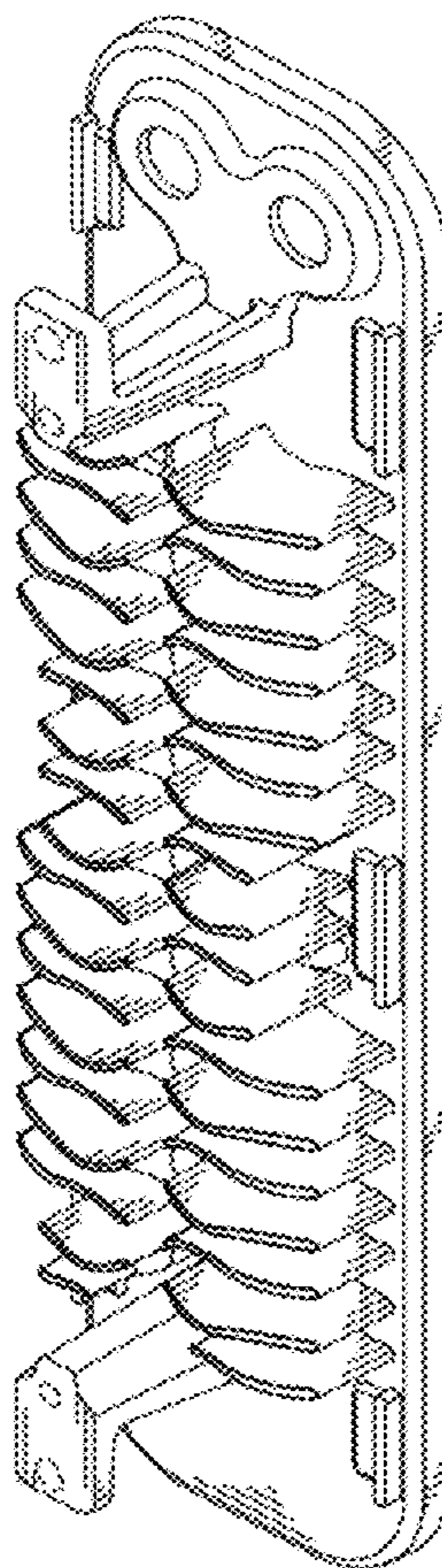
The ornamental design for a heat sink, as shown and described.

DESCRIPTION

FIG. 1 is a perspective view of a heat sink of my new design; FIG. 2 is a front elevational view thereof; FIG. 3 is a left side elevational view thereof; FIG. 4 is a right side elevational view thereof; FIG. 5 is a top plan view thereof; and, FIG. 6 is a bottom plan view thereof.

The broken line showing of the heat sink is for illustrative purposes only and forms no part of the claimed design.

1 Claim, 6 Drawing Sheets



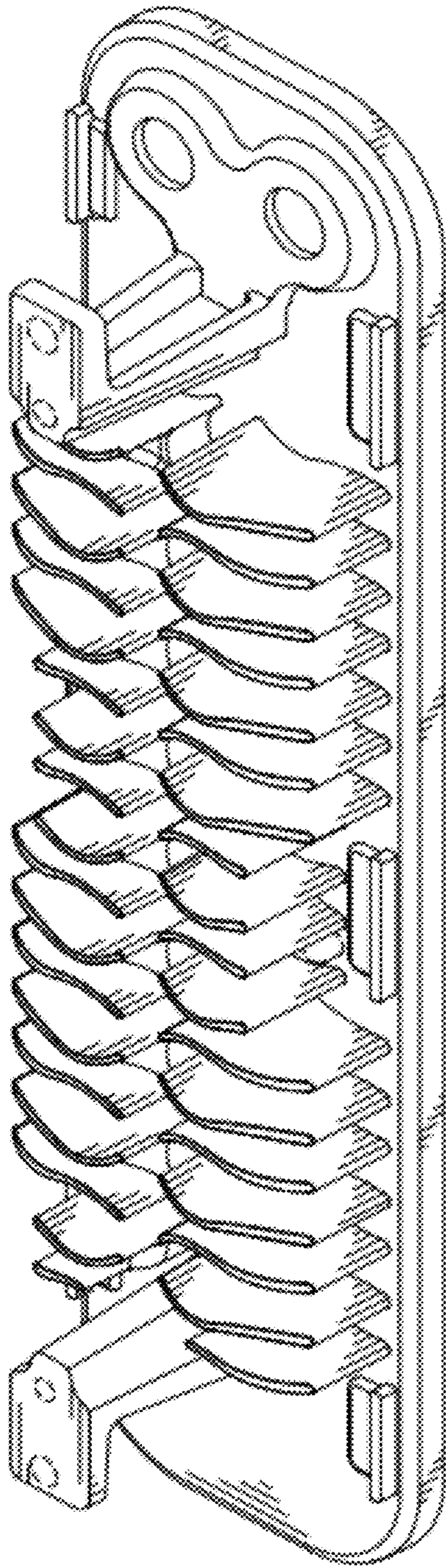


FIG. 1

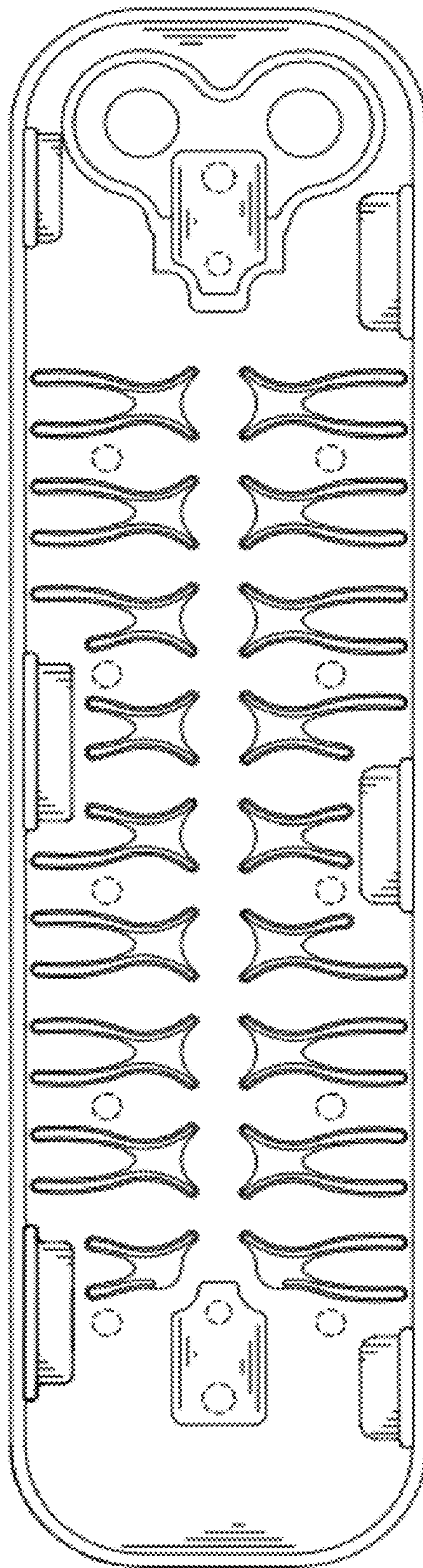


FIG. 2

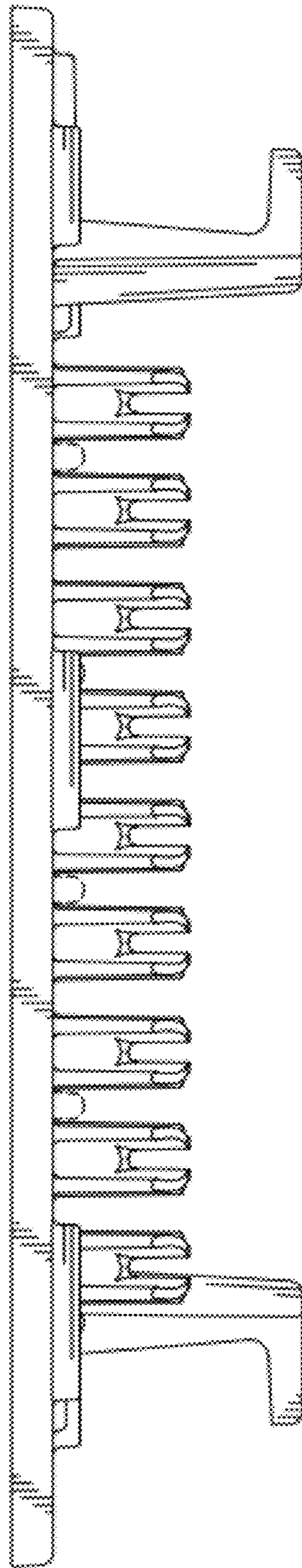


FIG. 3

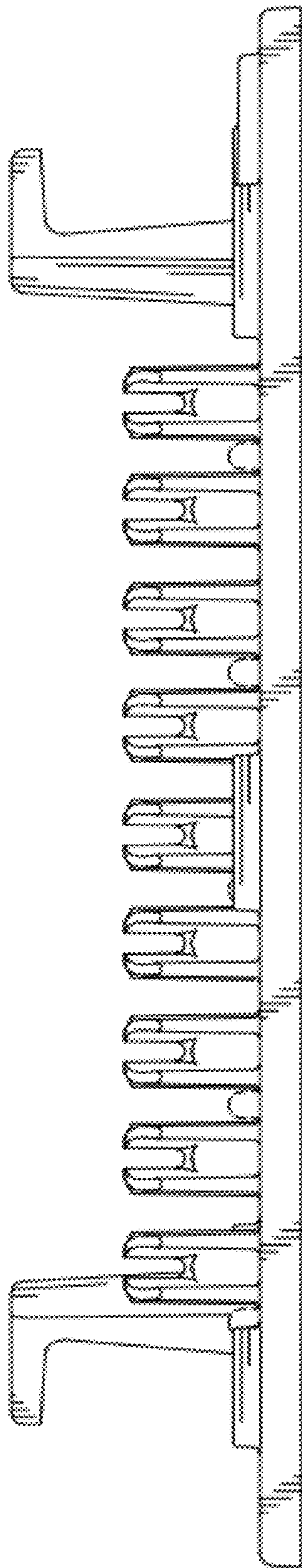


FIG. 4

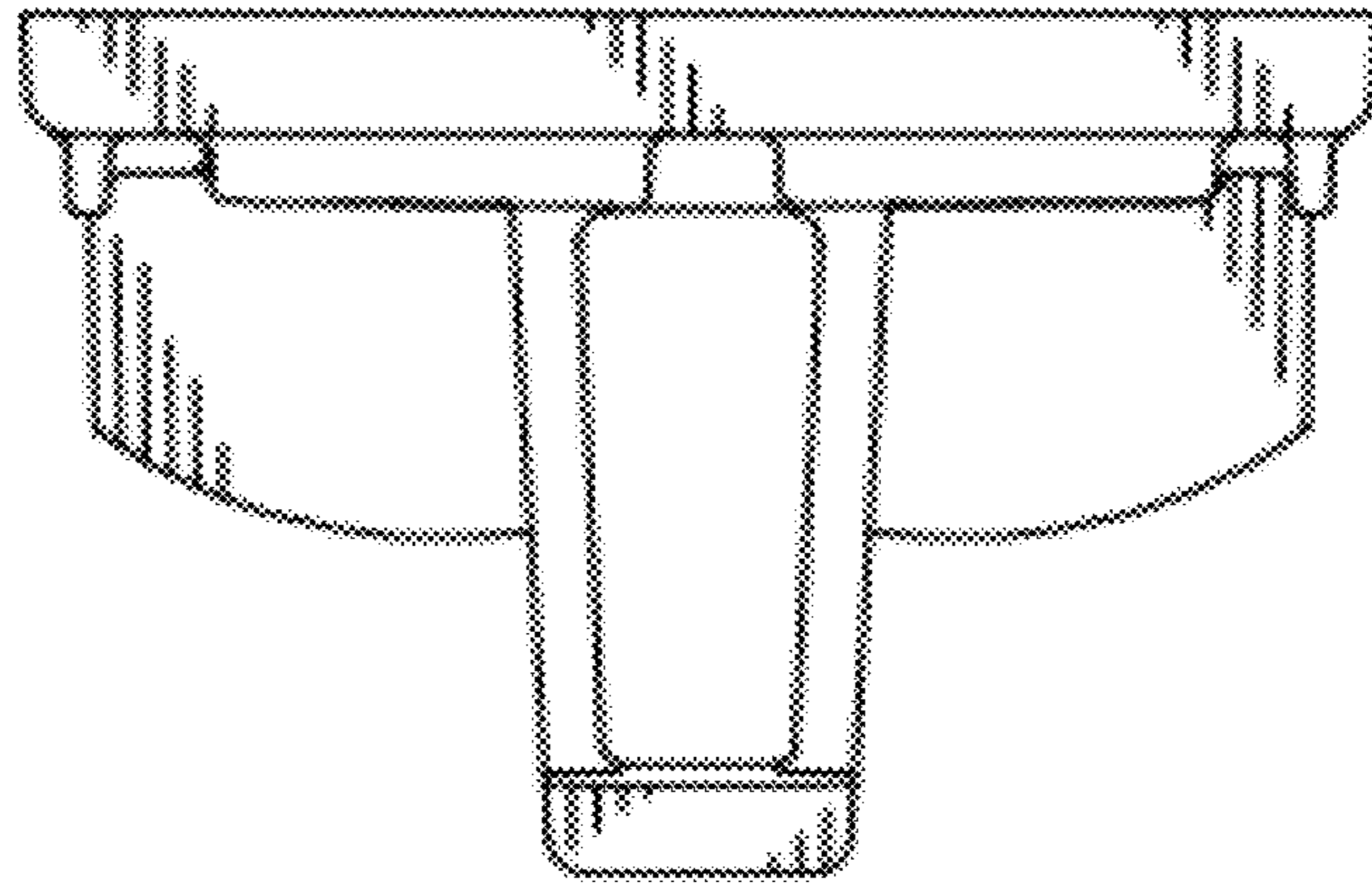


FIG. 5

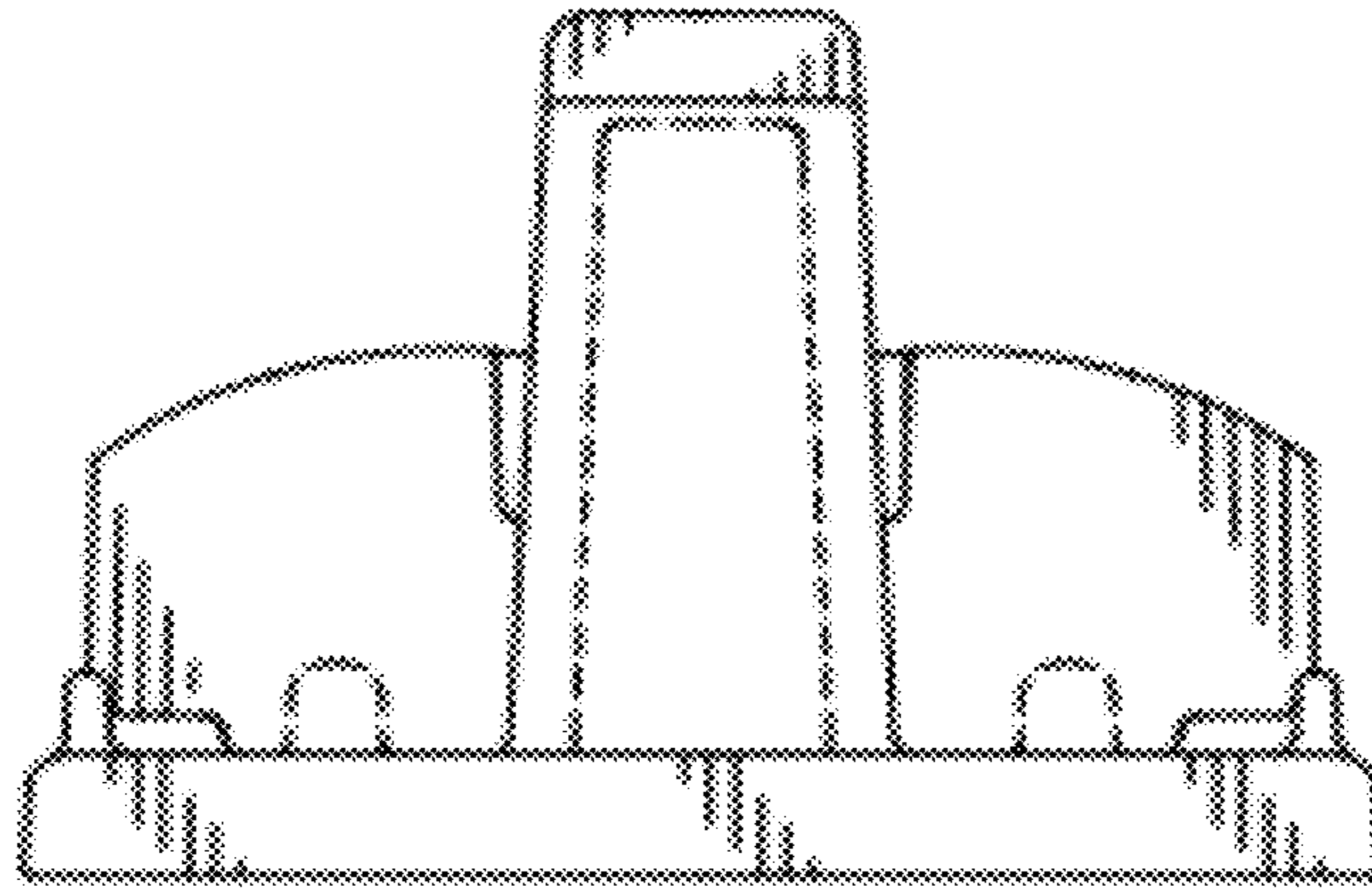


FIG. 6