



US00D673122S

(12) **United States Design Patent**  
**Huss, Jr. et al.**

(10) **Patent No.:** **US D673,122 S**  
(45) **Date of Patent:** **\*\* Dec. 25, 2012**

(54) **ELECTRIC VEHICLE CHARGING CONNECTOR**

(75) Inventors: **John Phillip Huss, Jr.**, Harrisburg, PA (US); **Kevin E. Walker**, Hershey, PA (US); **Shane Wiest**, Shermans Dale, PA (US)

(73) Assignee: **Phoenix Contact Development & Manufacturing, Inc.**, Middletown, PA (US)

(\*\*) Term: **14 Years**

(21) Appl. No.: **29/418,480**

(22) Filed: **Apr. 17, 2012**

(51) **LOC (9) Cl.** ..... **13-03**

(52) **U.S. Cl.** ..... **D13/146; D13/133**

(58) **Field of Classification Search** ..... D13/147, D13/154, 184, 199; 439/79, 108, 378, 567, 439/607.01, 607.04, 607.05, 607.17, 607.25, 439/607.34, 607.41, 607.53, 668, 680  
See application file for complete search history.

(56) **References Cited**

**U.S. PATENT DOCUMENTS**

D359,723 S	6/1995	Itou et al.	
D375,721 S	11/1996	Endo et al.	
D377,165 S	1/1997	Yoshioka et al.	
D377,643 S *	1/1997	Endo et al.	D13/146
5,627,448 A *	5/1997	Okada et al.	439/133
D390,827 S	2/1998	Sekimori et al.	

5,820,395 A	10/1998	Hashizawa	
6,371,768 B1	4/2002	Neblett et al.	
D603,337 S	11/2009	Katou et al.	
D608,737 S *	1/2010	Upham et al.	D13/147
D620,453 S *	7/2010	Corless et al.	D13/154
D634,709 S	3/2011	Ichio	
D636,334 S	4/2011	Kato et al.	
2011/0260684 A1	10/2011	Xiaofeng et al.	

**FOREIGN PATENT DOCUMENTS**

DE	102010017458 A1	12/2011
EP	2011060168	12/2011

\* cited by examiner

*Primary Examiner* — Daniel Bui

(74) *Attorney, Agent, or Firm* — Hooker & Habib, P.C.

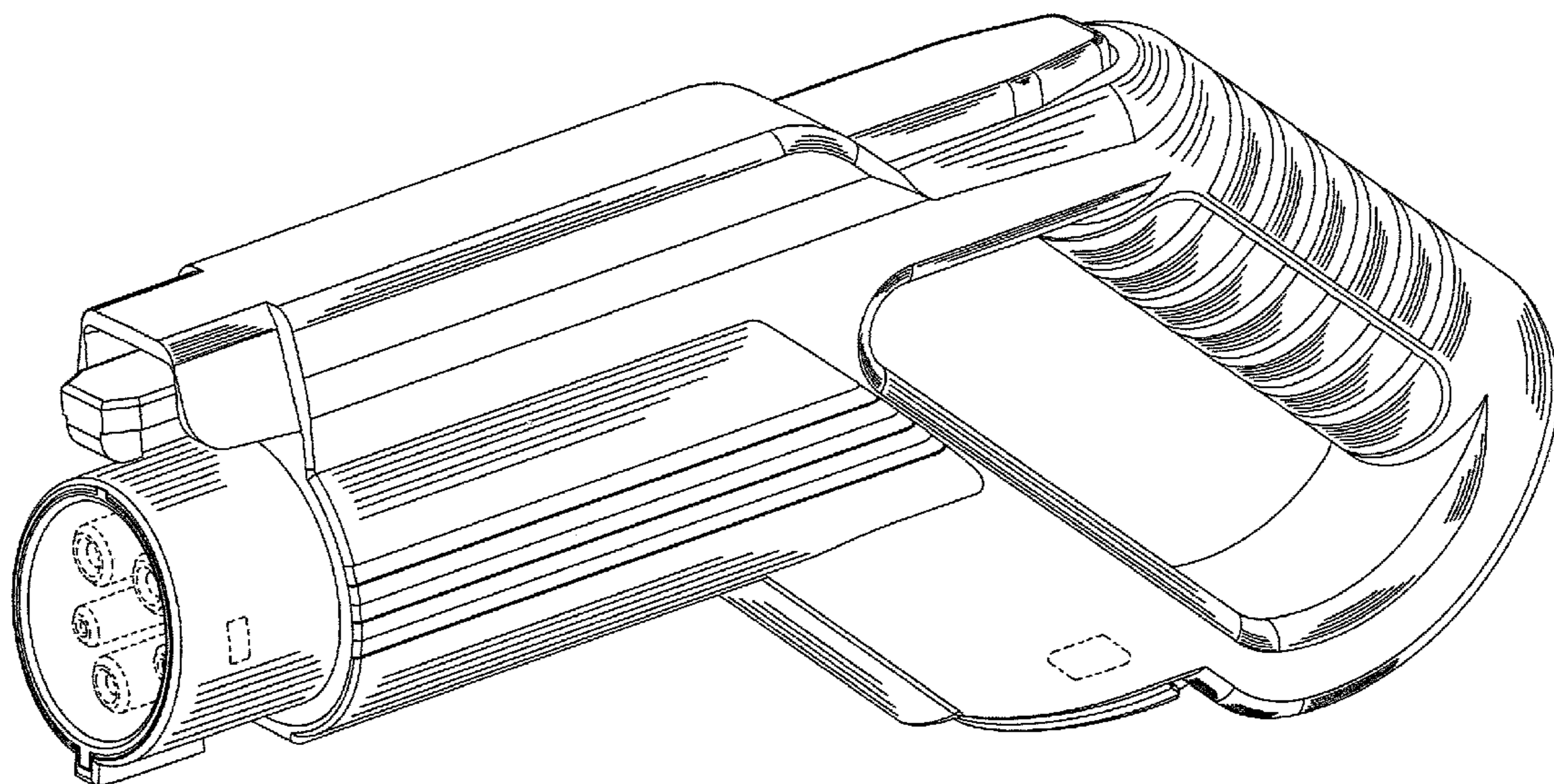
(57) **CLAIM**

The ornamental design of an electric vehicle charging connector, as shown and described.

**DESCRIPTION**

FIG. 1 is a front left perspective view of an electric vehicle charging connector;  
FIG. 2 is a left side elevation view thereof;  
FIG. 3 is a right side elevation view thereof;  
FIG. 4 is a front elevation view thereof;  
FIG. 5 is a rear elevation view thereof;  
FIG. 6 is a top elevation view thereof; and,  
FIG. 7 is a bottom elevation view thereof.  
The broken line portions of the figure drawings are included to show unclaimed subject matter only and form no part of the claimed design.

**1 Claim, 5 Drawing Sheets**



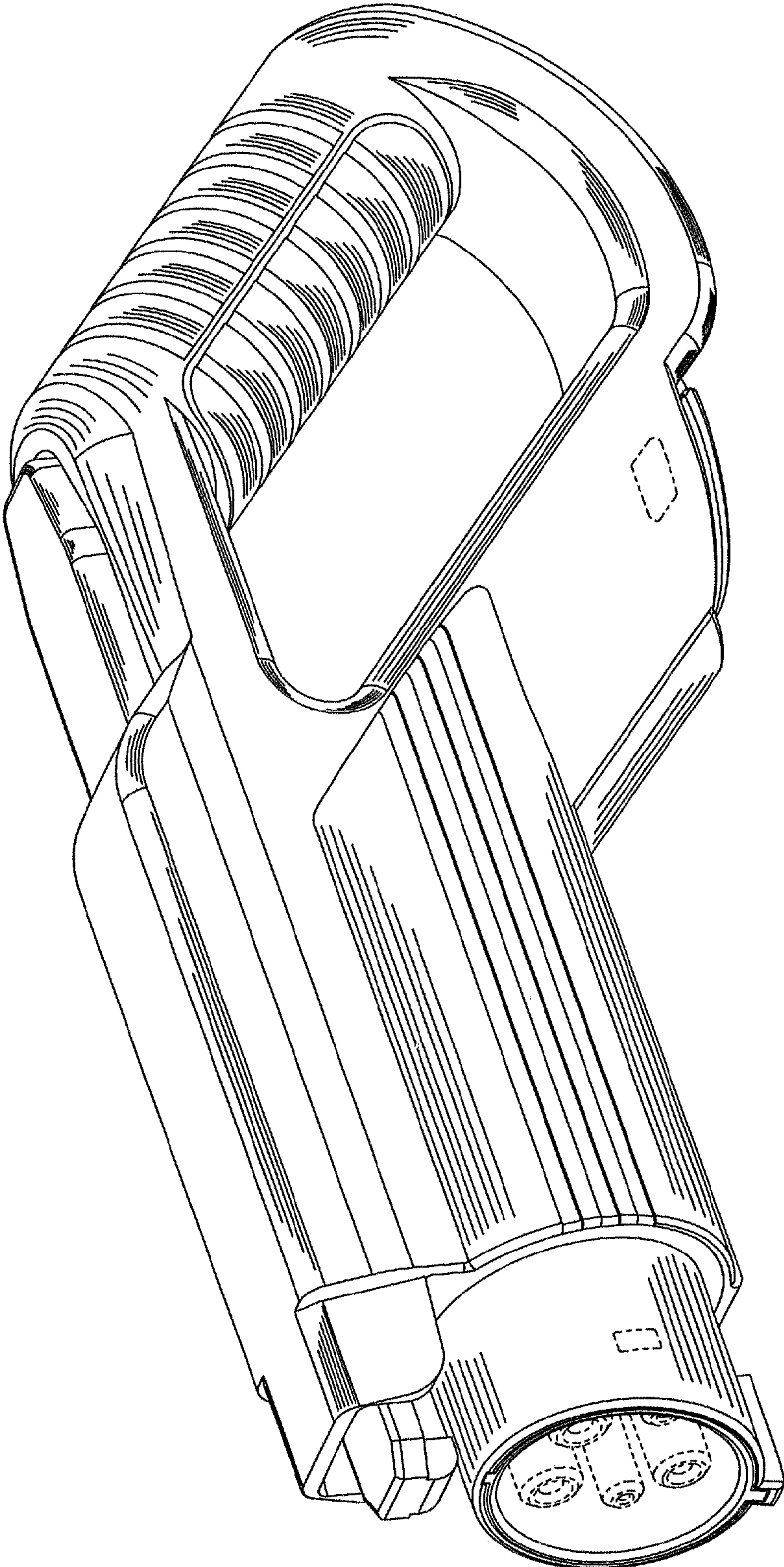


Fig. 1



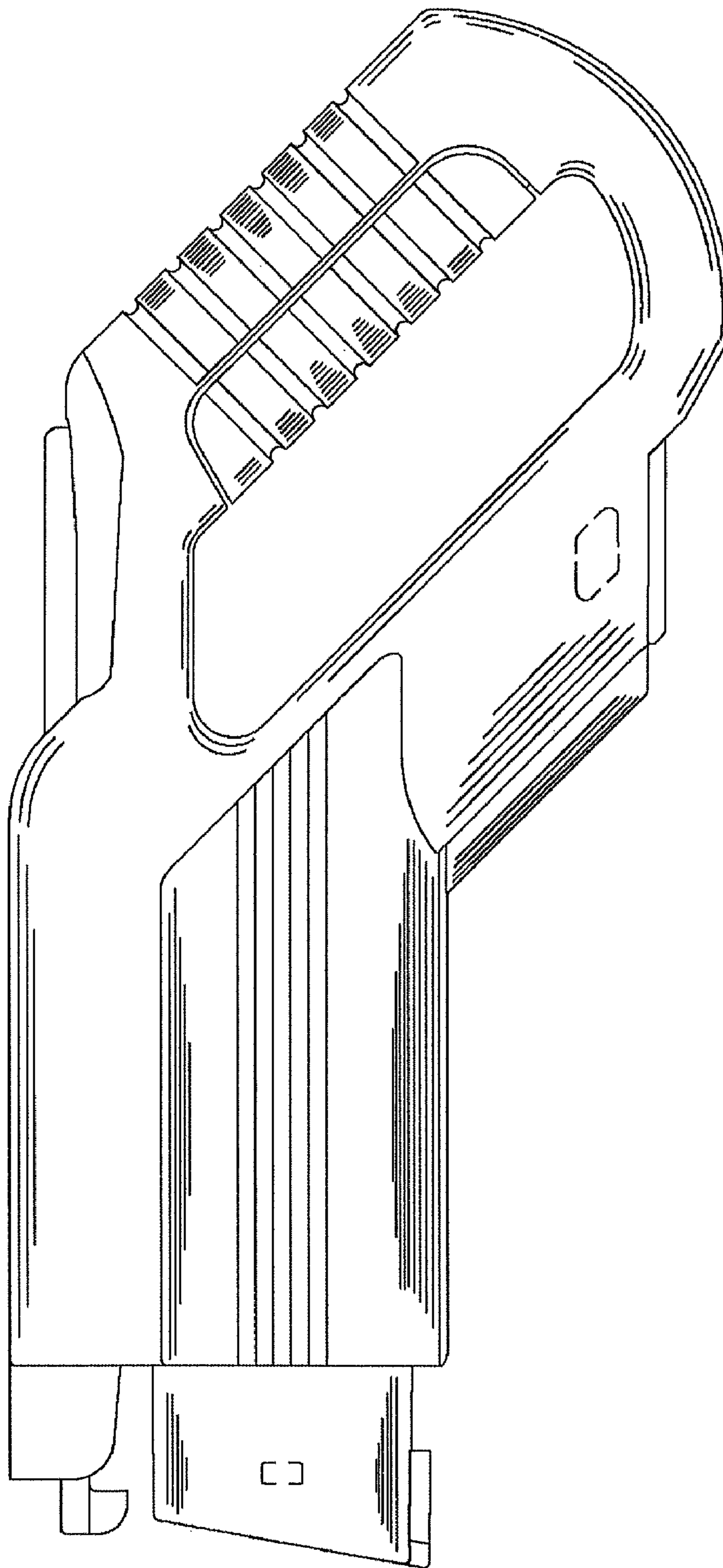


Fig. 2

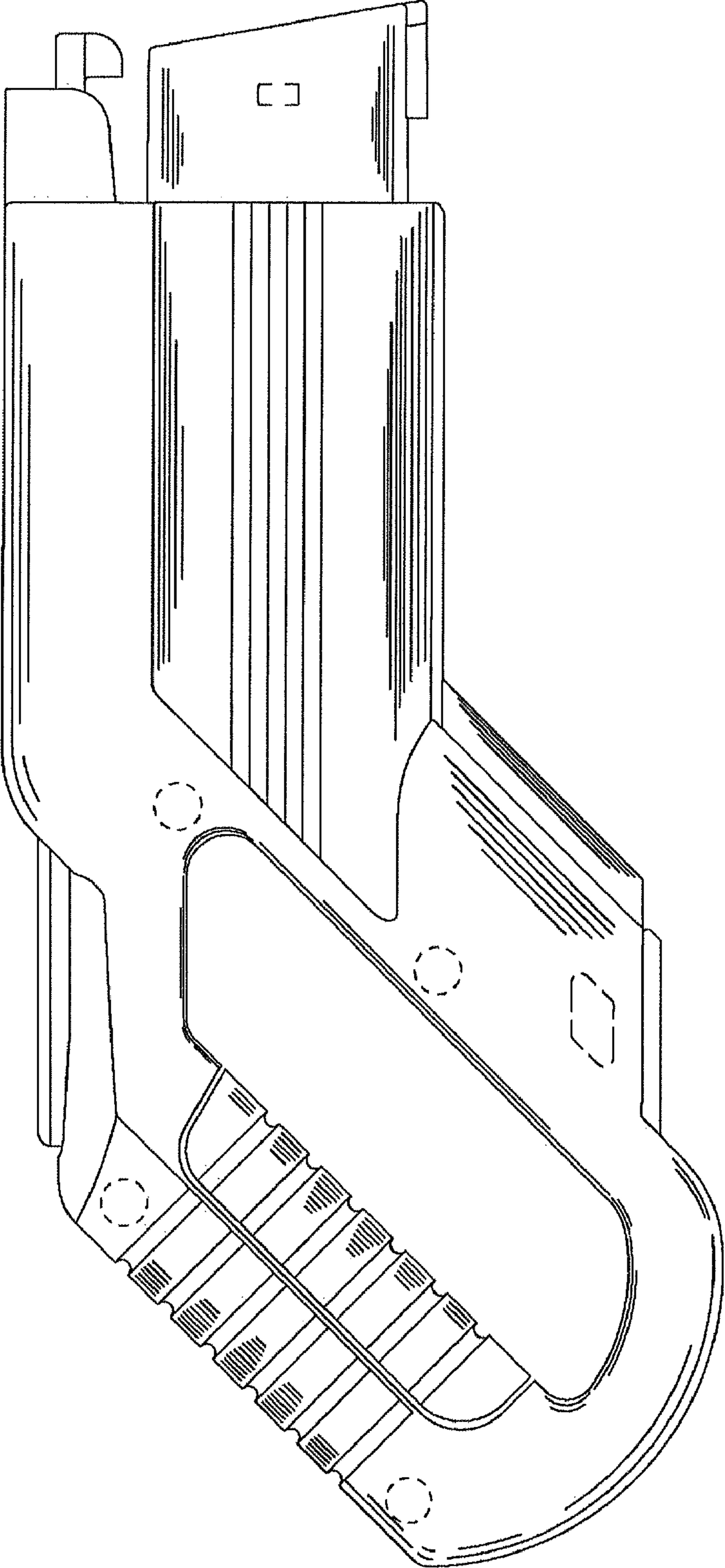


Fig. 3

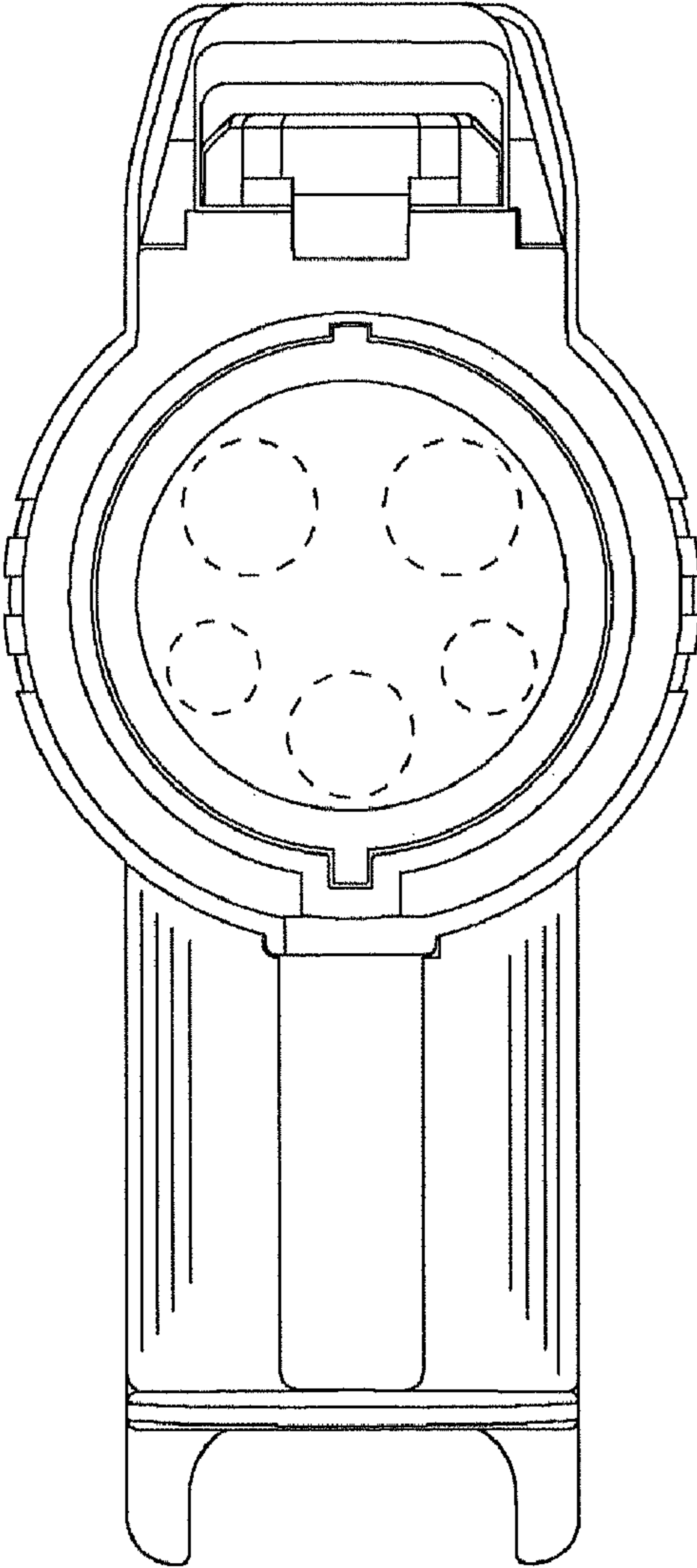


Fig. 4

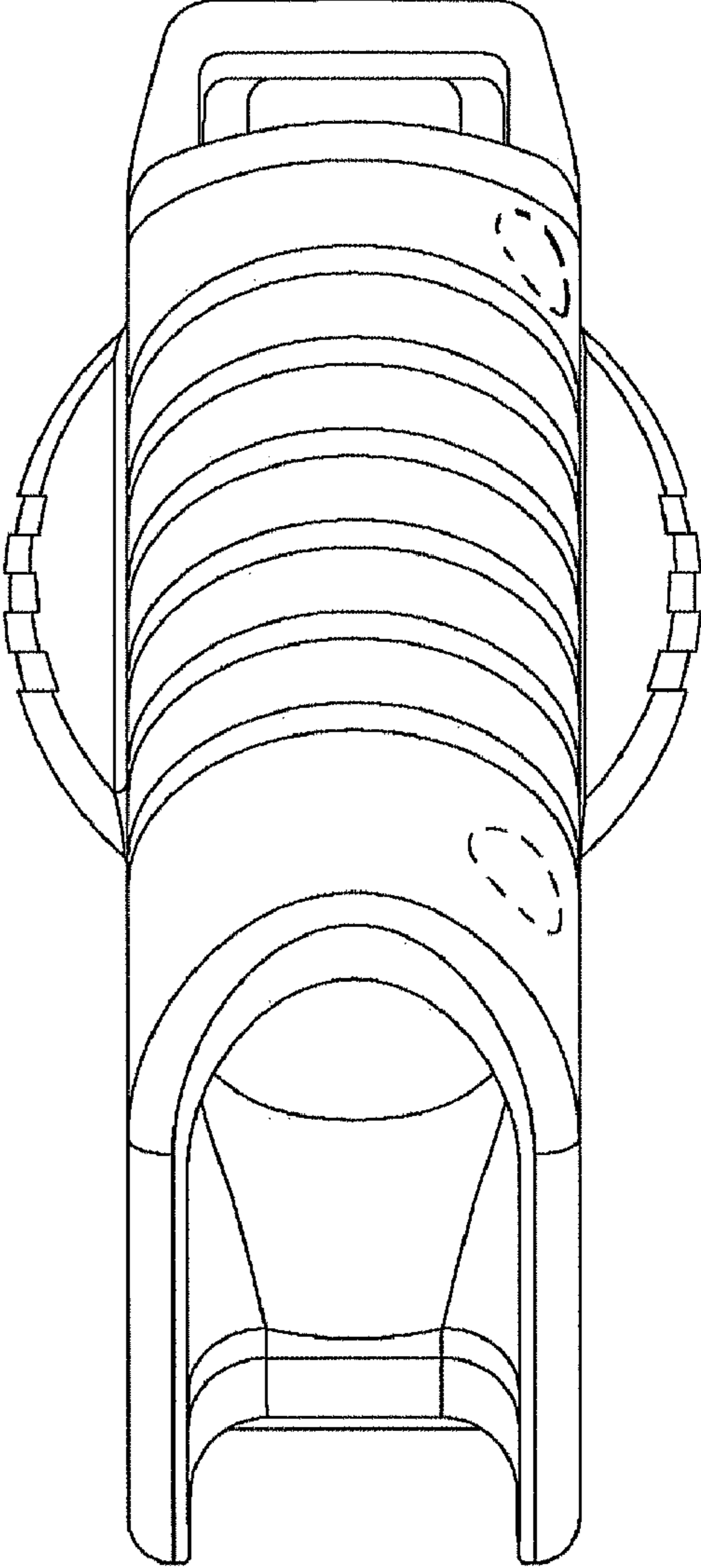


Fig. 5

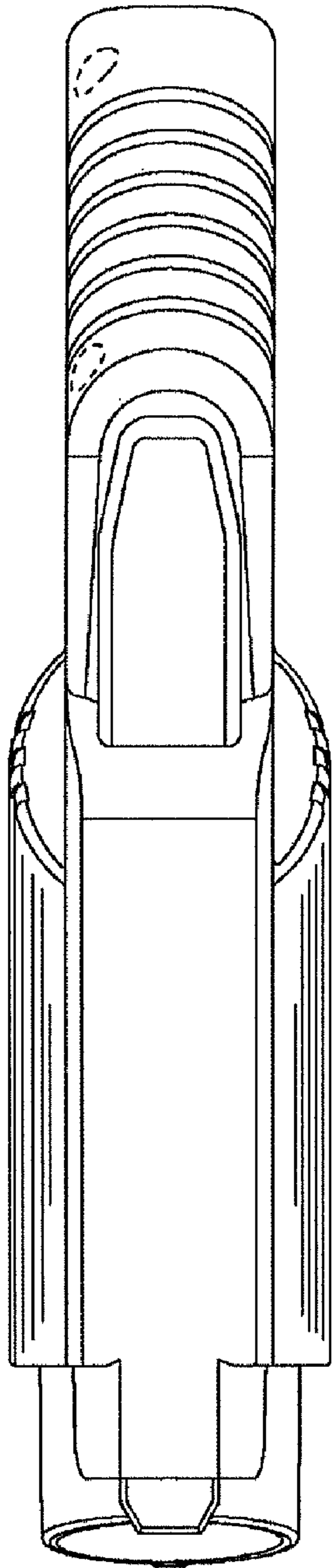


Fig. 6

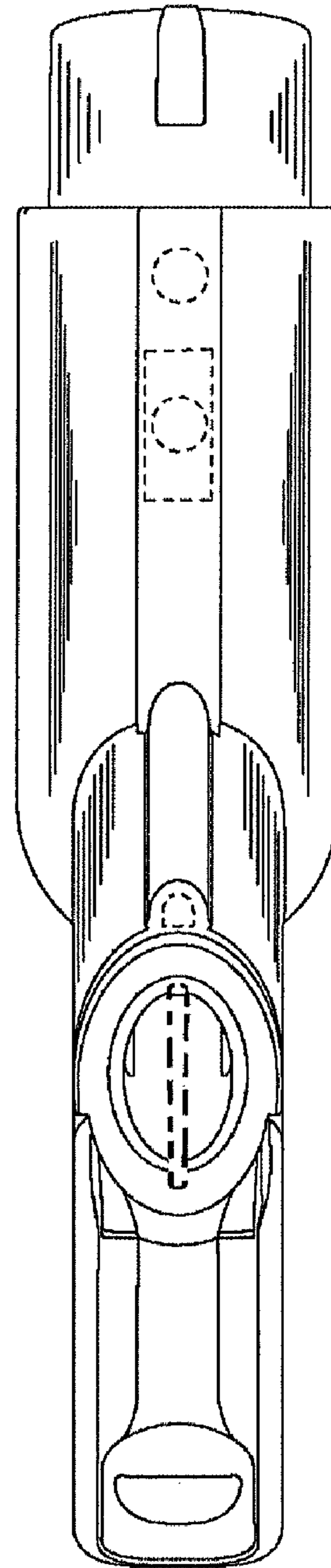


Fig. 7