



US00D673120S

(12) **United States Design Patent**
Lyford et al.

(10) **Patent No.:** **US D673,120 S**

(45) **Date of Patent:** **** Dec. 25, 2012**

(54) **PLUG FOR ACCESSORY-HOST INTERFACE**

D566,047 S 4/2008 Gabel et al.
D643,841 S 8/2011 Lyford et al.
D649,970 S 12/2011 Lyford et al.

(75) Inventors: **J. Steven Lyford**, Portland, OR (US);
Robert R. Kreitzer, Tigard, OR (US);
Preston S. Gabel, Beaverton, OR (US);
Kenneth P. Dobyns, Beaverton, OR
(US)

Primary Examiner — Daniel Bui

(74) *Attorney, Agent, or Firm* — William K. Bucher

(73) Assignee: **Tektronix, Inc.**, Beaverton, OR (US)

(57) **CLAIM**

The ornamental design of a plug for accessory-host interface,
as shown and described.

(**) Term: **14 Years**

DESCRIPTION

(21) Appl. No.: **29/417,719**

FIG. 1 is a front perspective view of a first embodiment of a
plug for accessory-host interface showing our new design;

(22) Filed: **Apr. 6, 2012**

FIG. 2 is a front elevation view thereof;

Related U.S. Application Data

(62) Division of application No. 29/382,267, filed on Dec.
30, 2010, now Pat. No. Des. 663,271.

FIG. 3 is a left side elevation view thereof;

(51) **LOC (9) Cl.** **13-03**

(52) **U.S. Cl.** **D13/133**

(58) **Field of Classification Search** D13/133,
D13/134, 135, 147, 154, 184, 199; D14/217,
D14/356, 358, 369, 383, 385, 432, 433, 439,
D14/440, 447, 454; D10/76, 78, 80; 439/180,
439/246, 252, 278, 374, 378, 379, 380, 381,
439/527, 529, 530, 533, 892, 894, 630

FIG. 4 is a right side elevation view;

FIG. 5 is a top plan view thereof;

FIG. 6 is a bottom plan view;

FIG. 7 is a front perspective view of a second embodiment of
a plug for accessory-host interface showing our new design;

FIG. 8 is a front elevation view thereof;

FIG. 9 is a left side elevation view thereof;

FIG. 10 is a right side elevation view;

FIG. 11 is a top plan view thereof;

FIG. 12 is a bottom plan view;

FIG. 13 is a front perspective view of a third embodiment of
a plug for accessory-host interface showing our new design;

FIG. 14 is a front elevation view thereof;

FIG. 15 is a left side elevation view thereof;

FIG. 16 is a right side elevation view;

FIG. 17 is a top plan view thereof; and,

FIG. 18 is a bottom plan view.

See application file for complete search history.

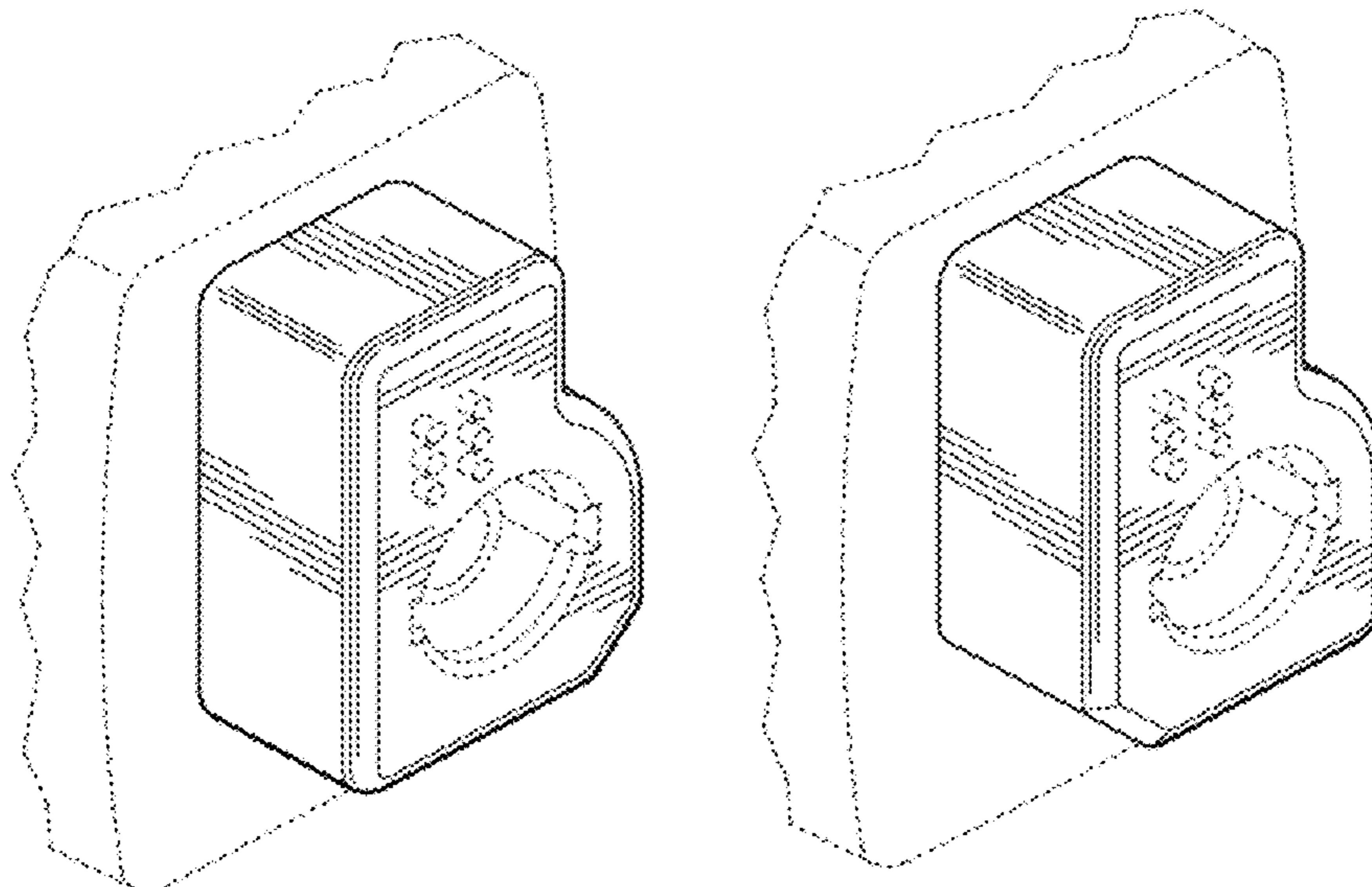
The broken line portion of the figure drawings is included for
the purpose of illustrating environment and forms no part of
the claimed design.

(56) **References Cited**

U.S. PATENT DOCUMENTS

D370,889 S 6/1996 Anthony
D460,371 S 7/2002 Wisley et al.
D514,004 S 1/2006 Wisley
D556,066 S 11/2007 Hoang et al.
D566,046 S 4/2008 Gabel et al.

1 Claim, 6 Drawing Sheets



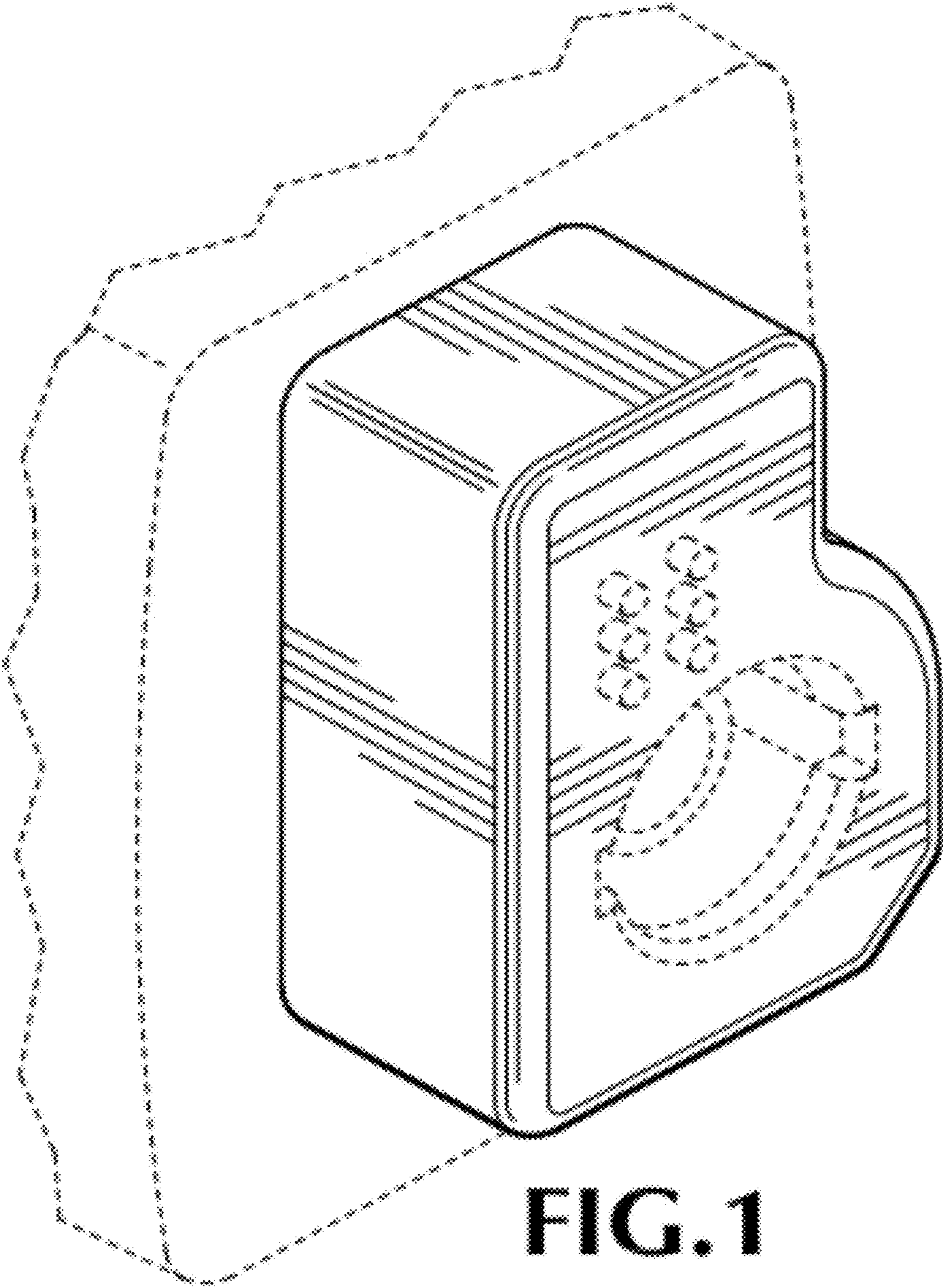


FIG. 1

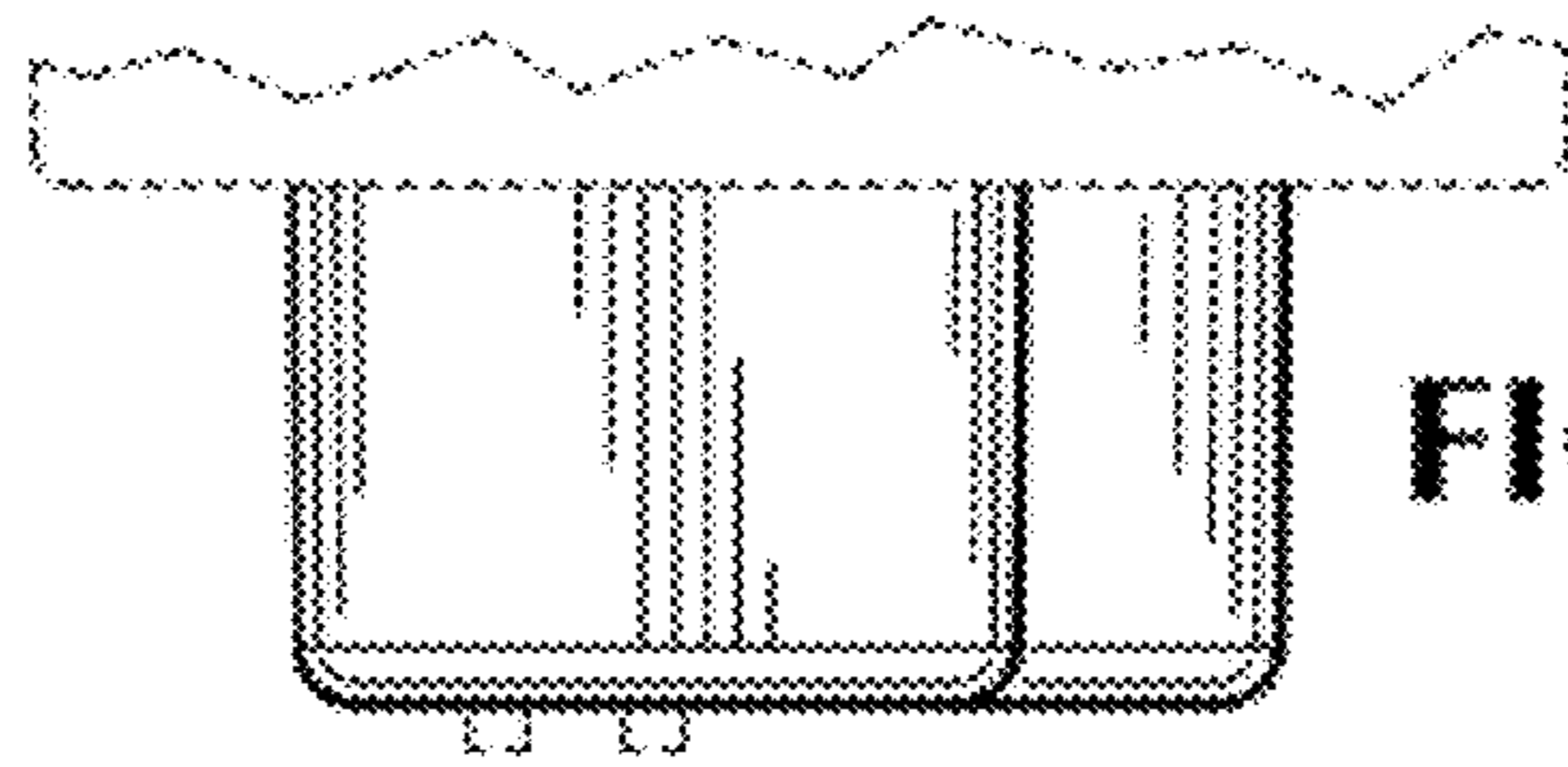


FIG. 5

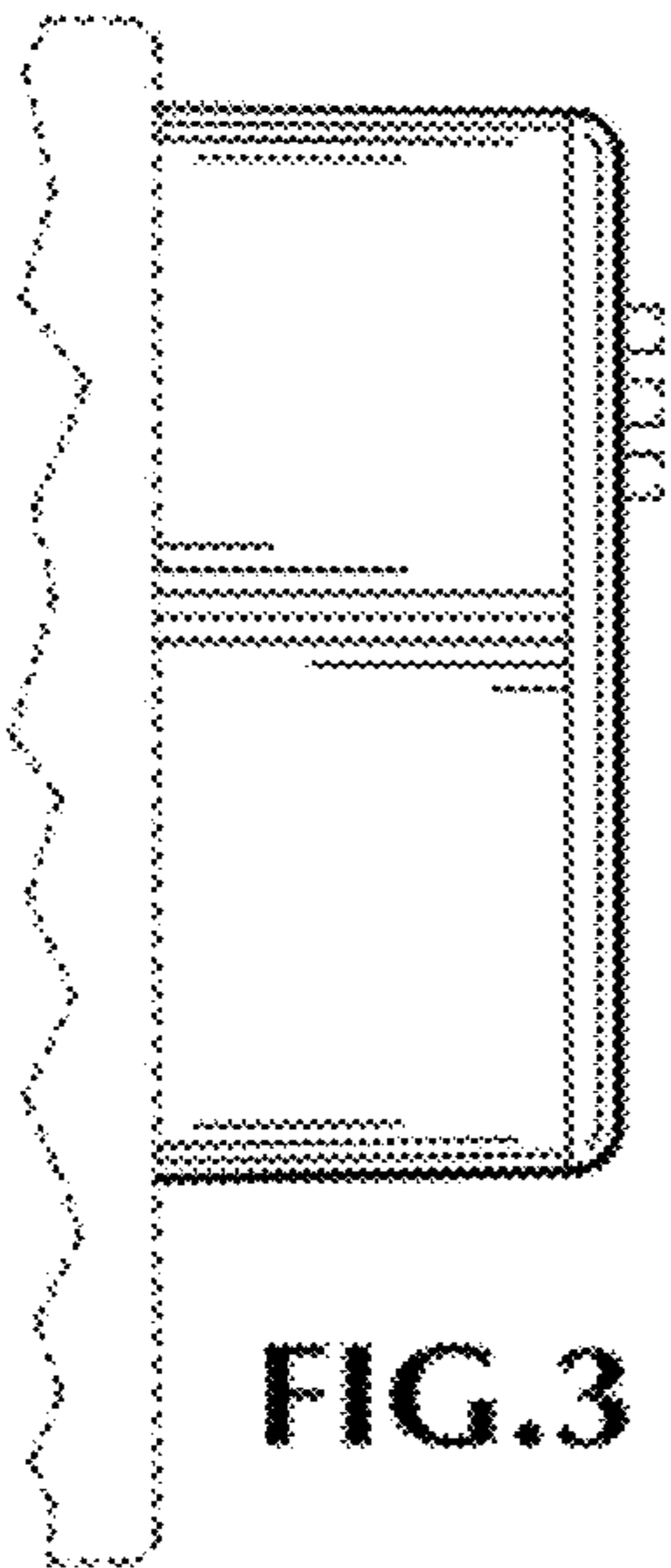


FIG. 3

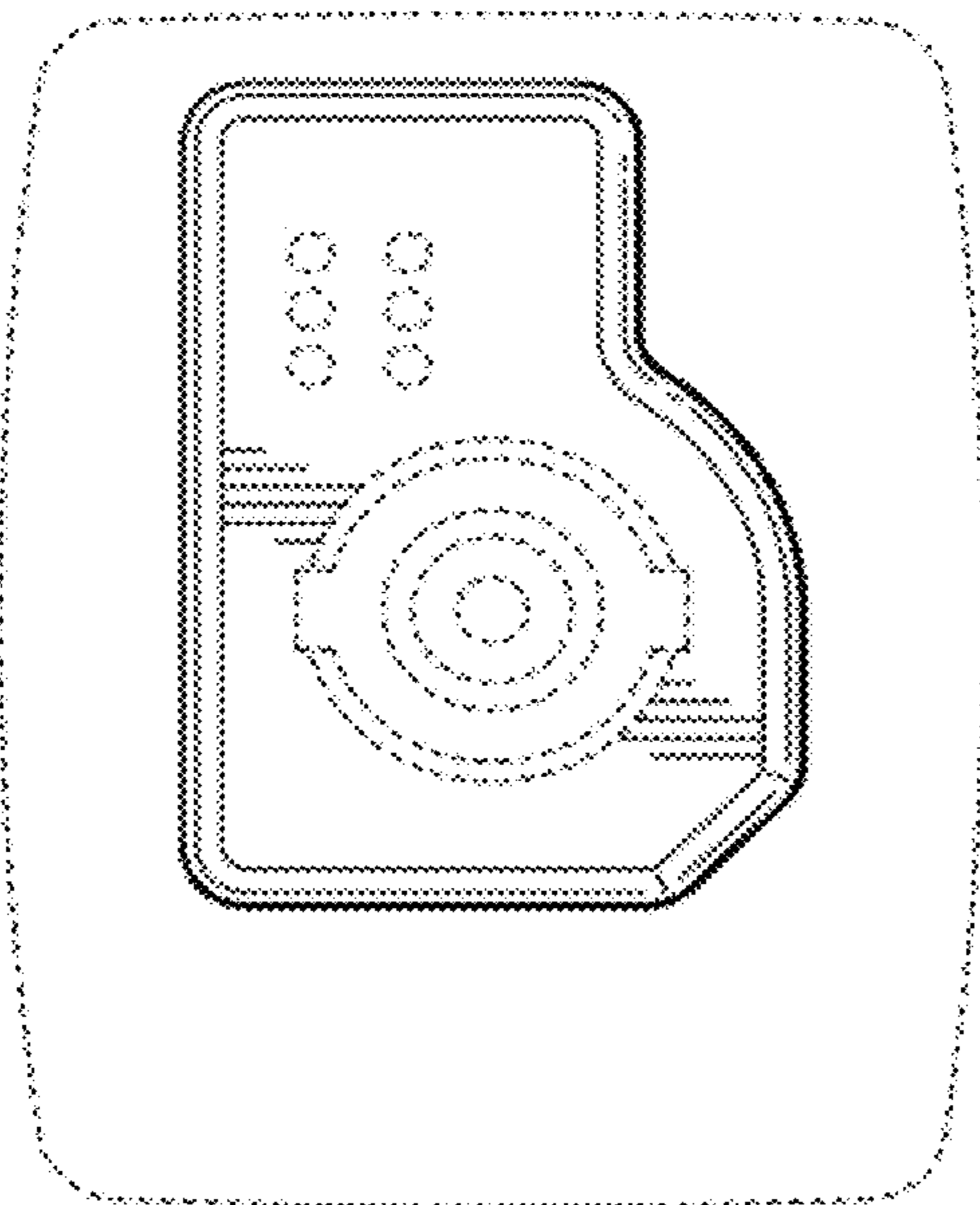


FIG. 2

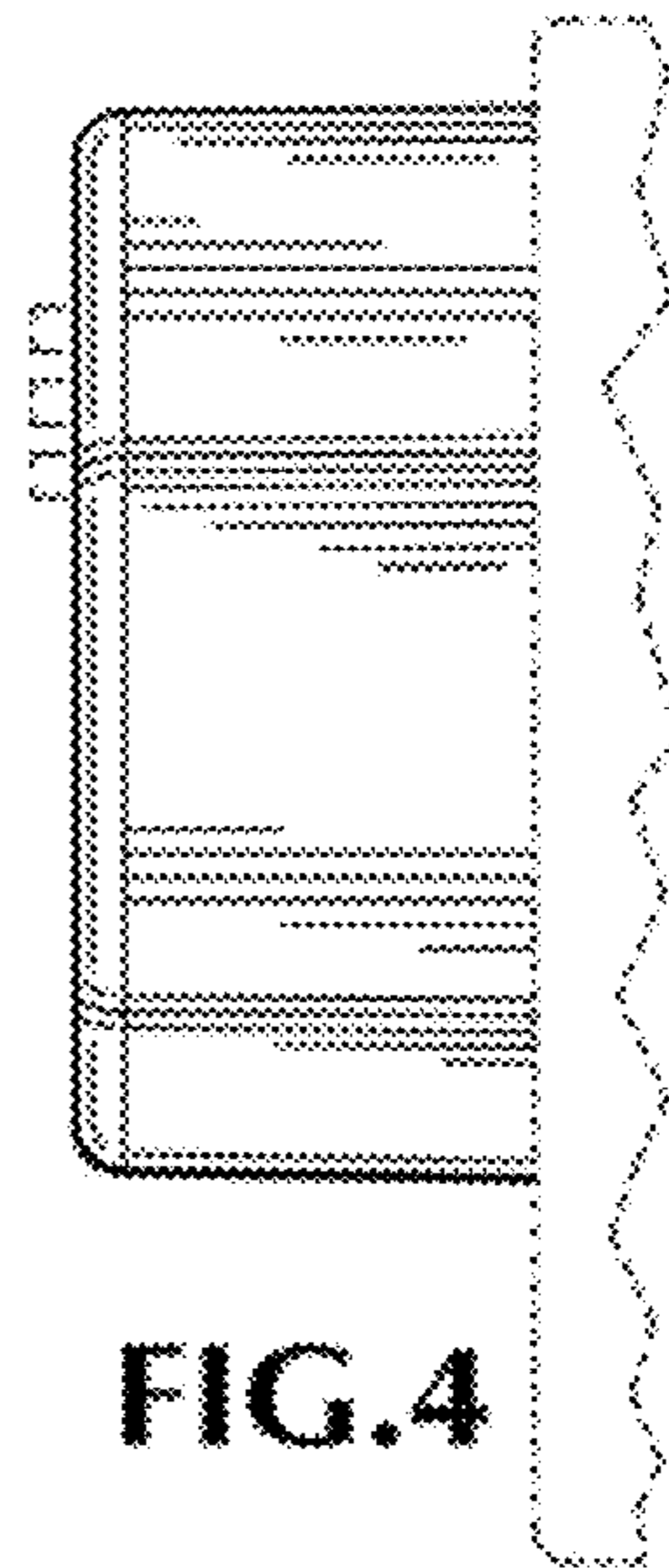


FIG. 4

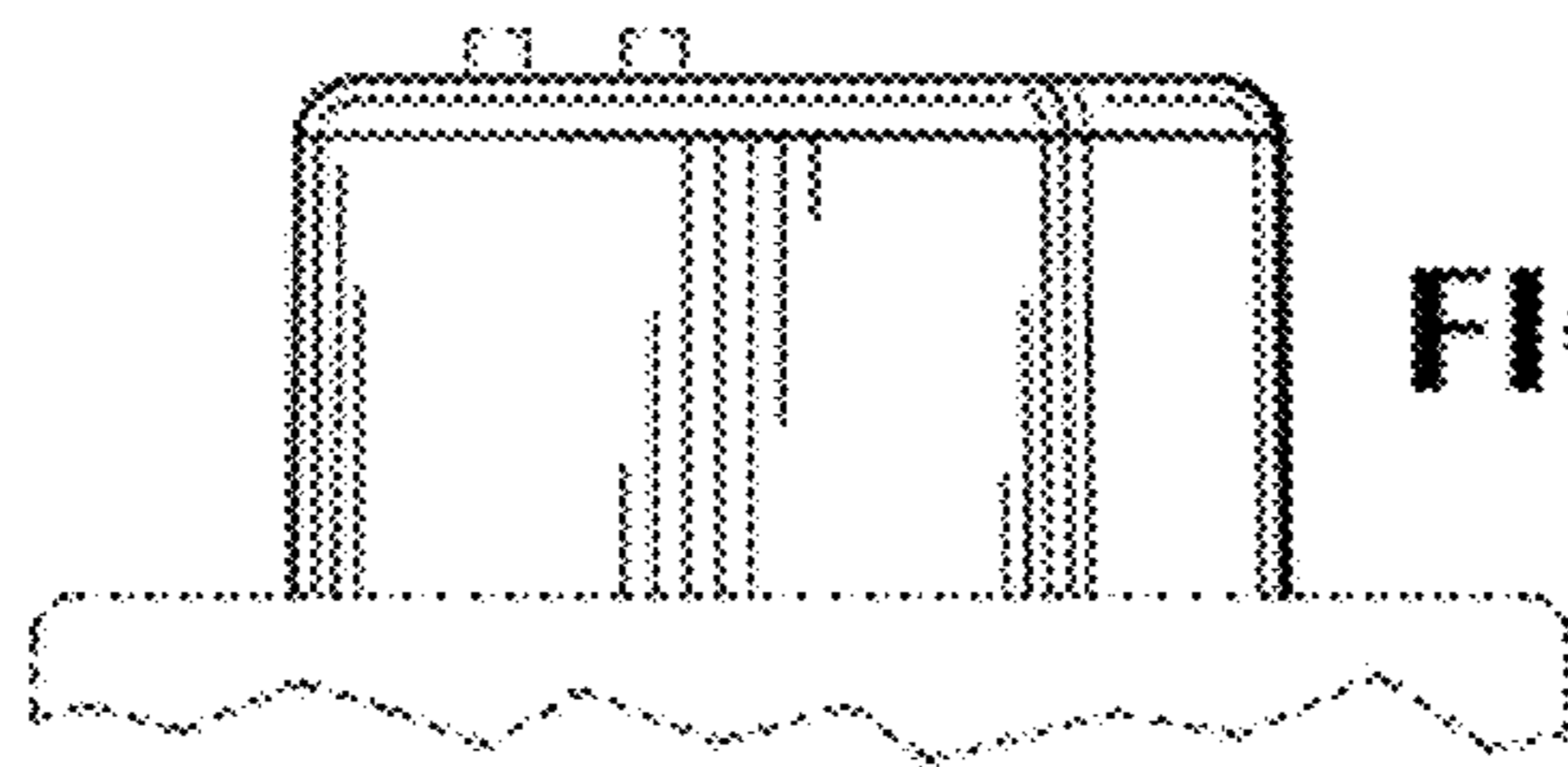


FIG. 6

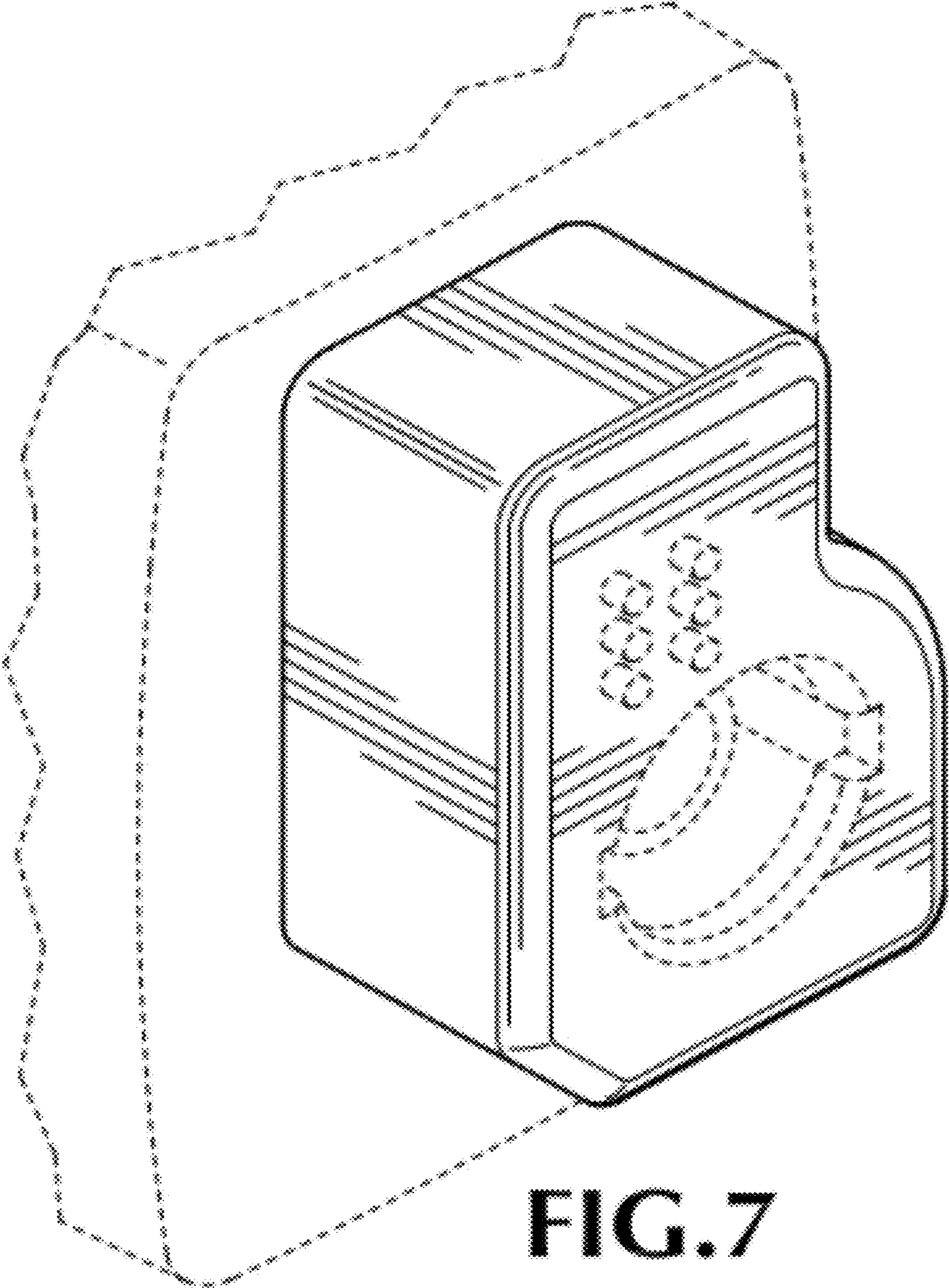


FIG. 7

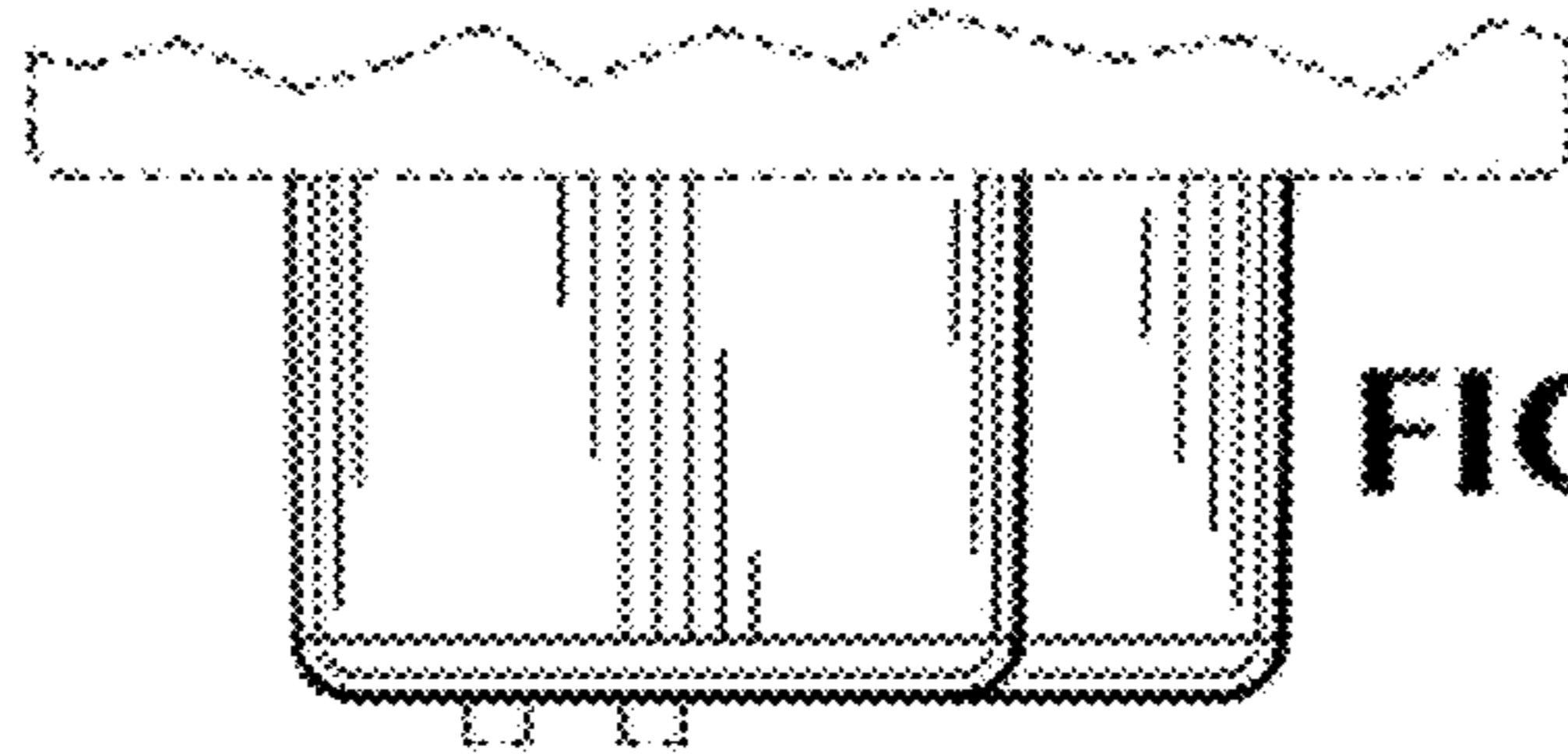


FIG. 11

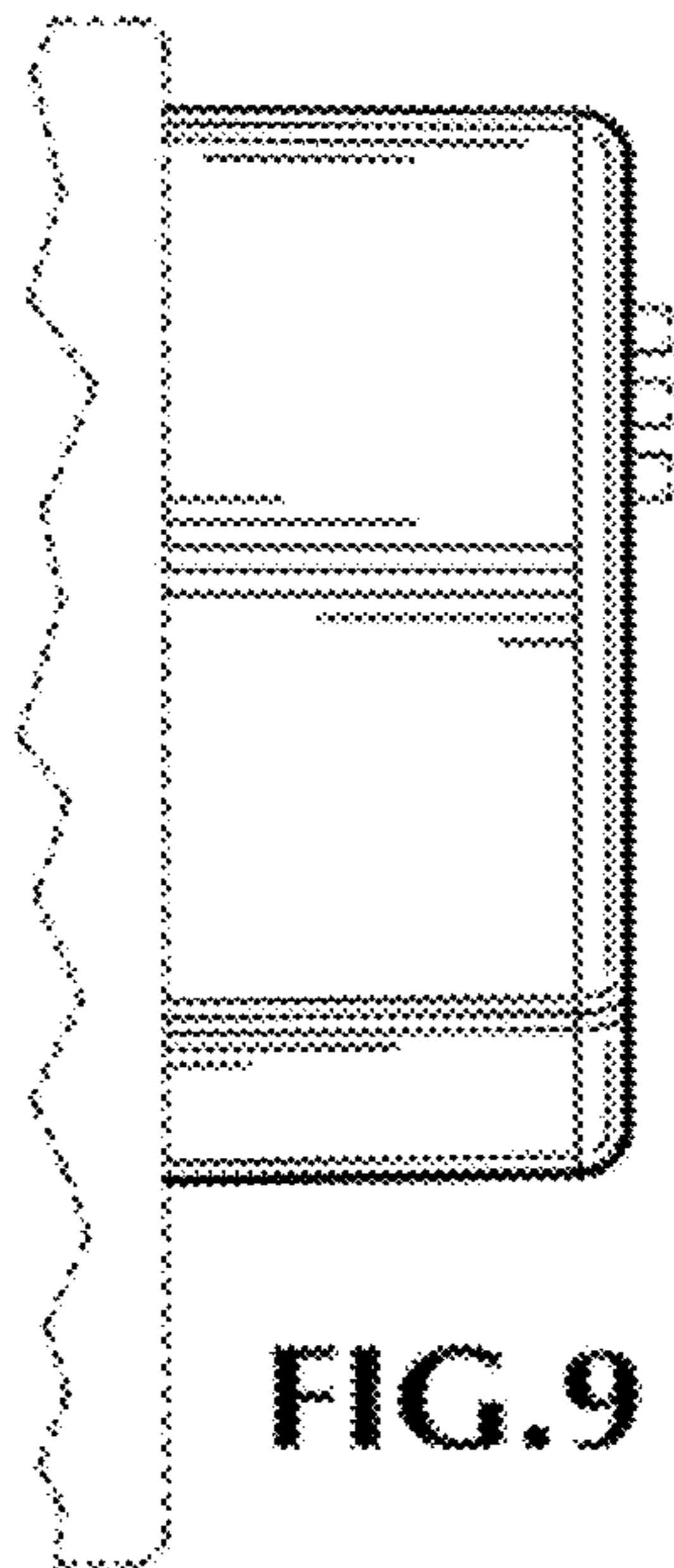


FIG. 9

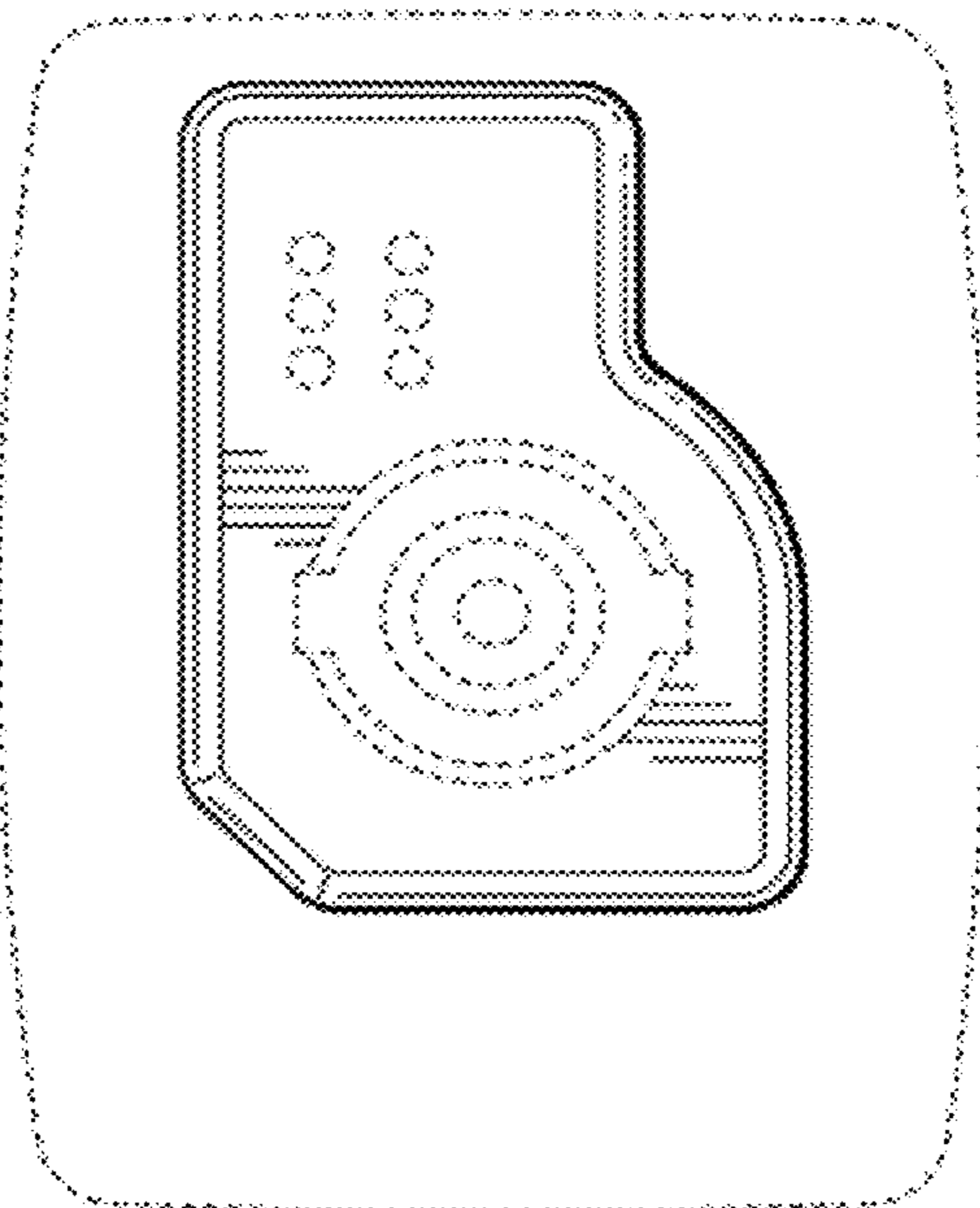


FIG. 8

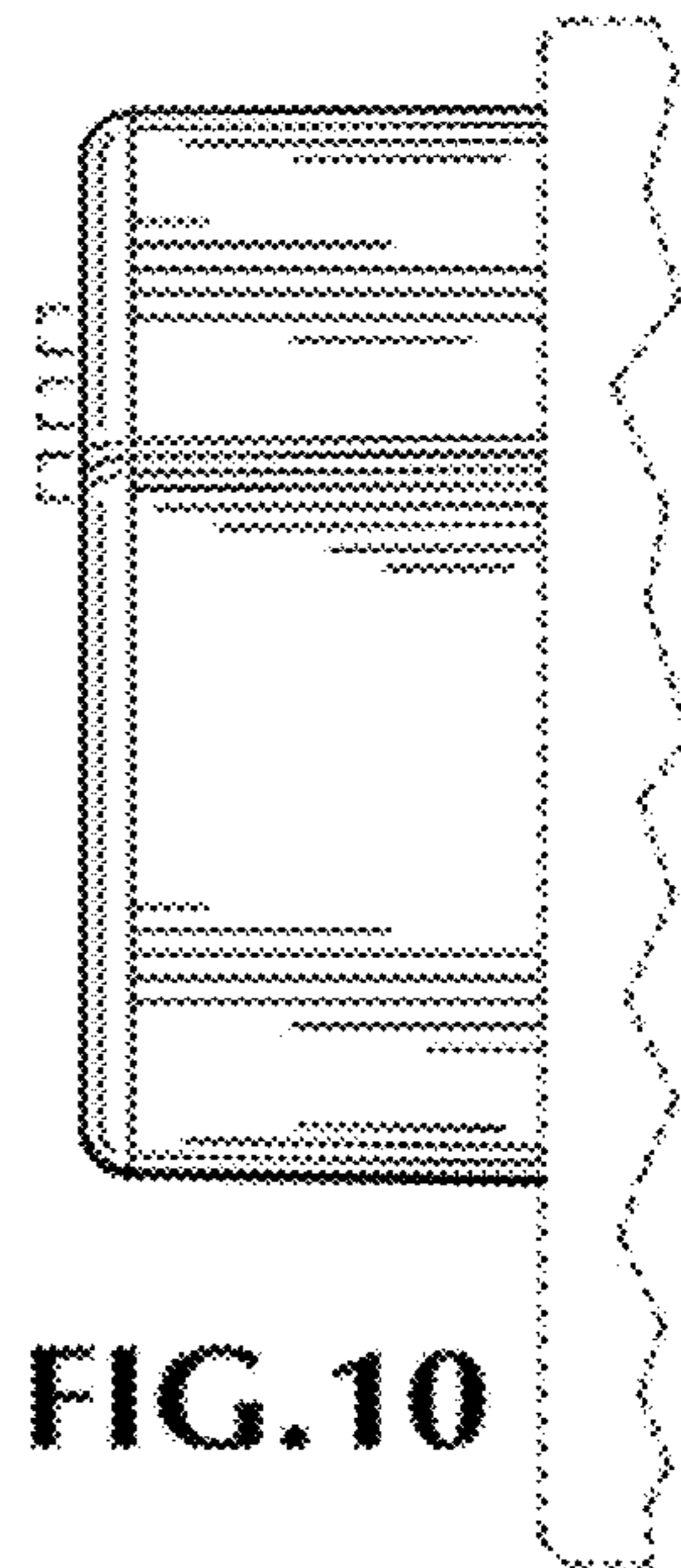


FIG. 10

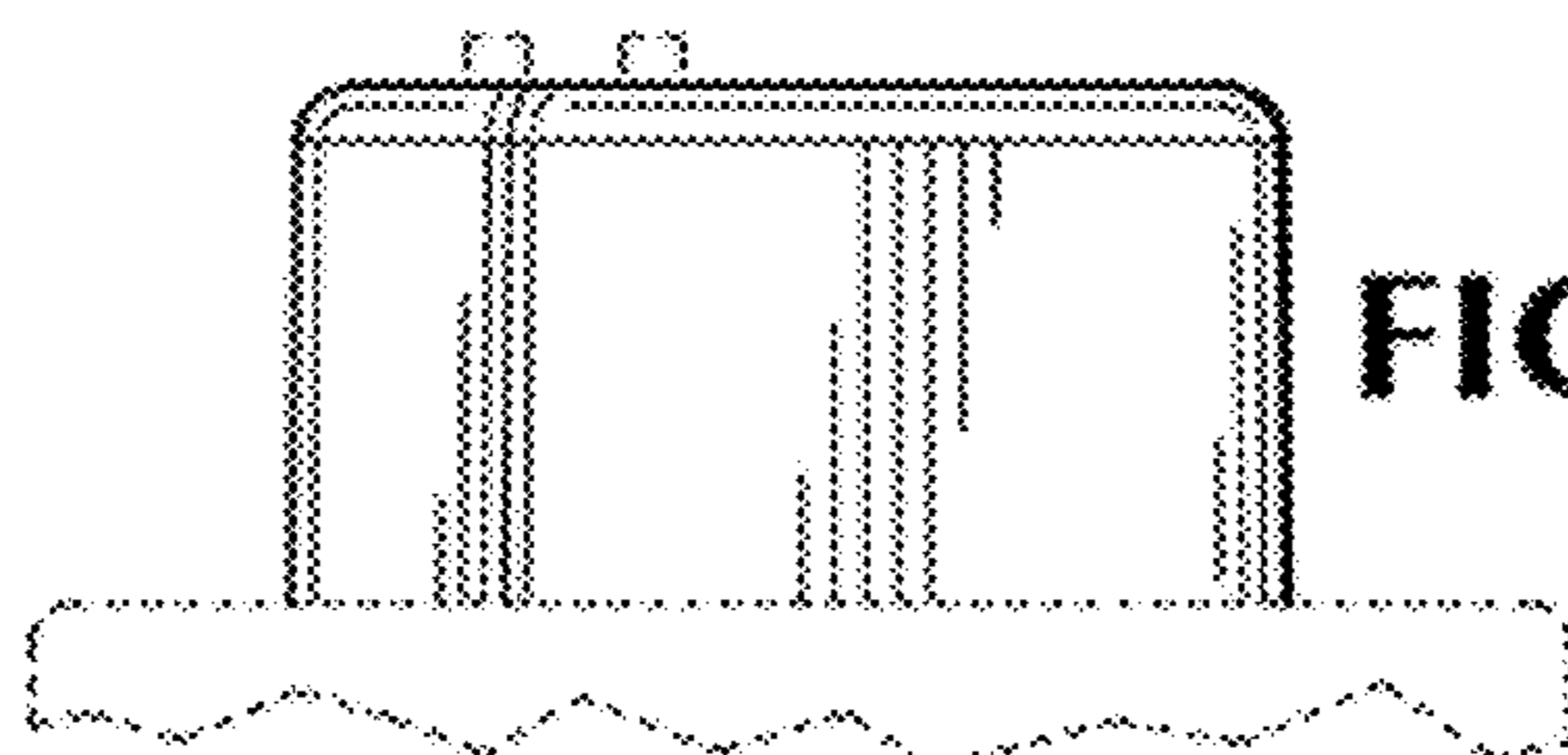


FIG. 12

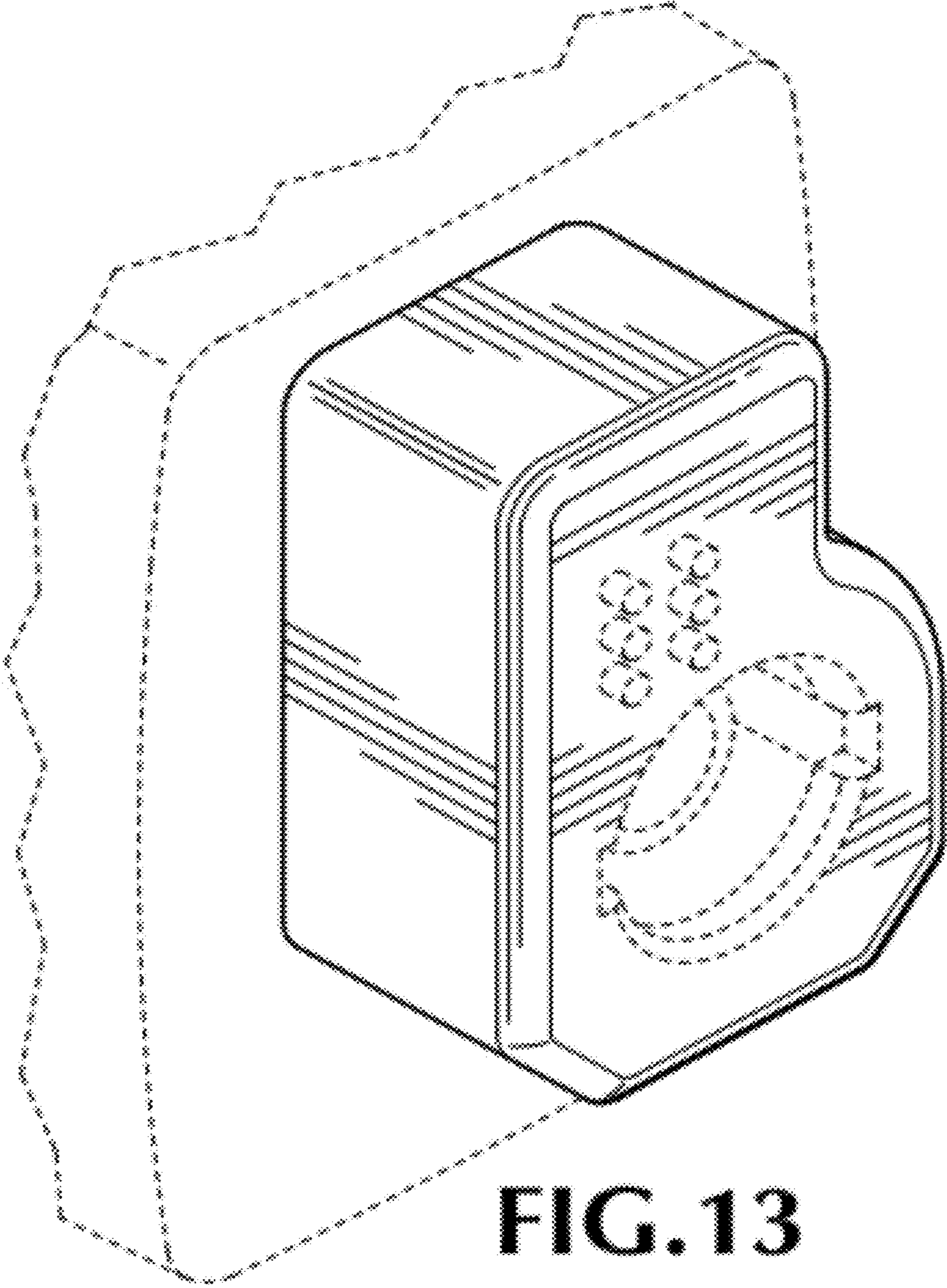


FIG. 13

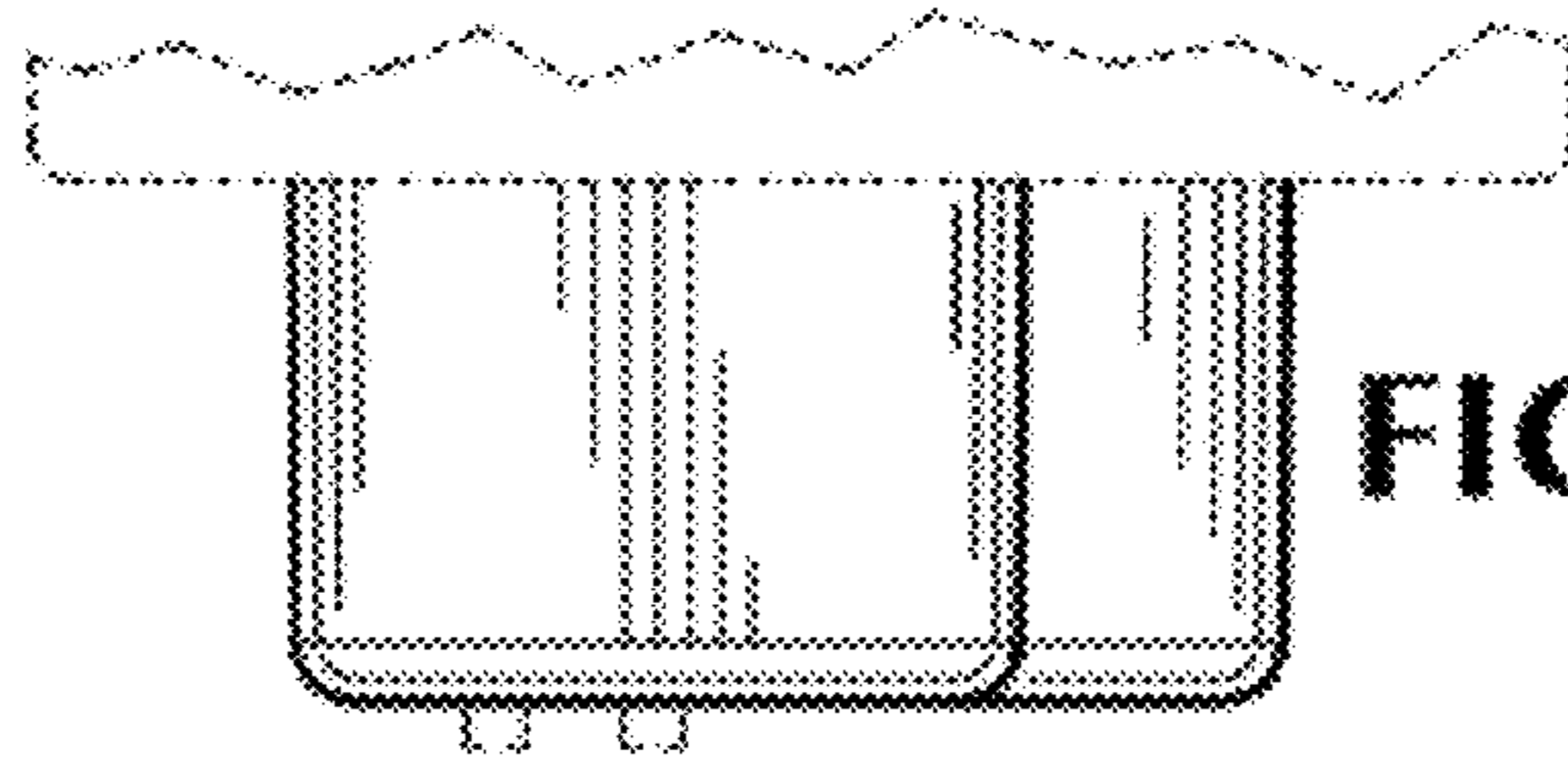


FIG. 17

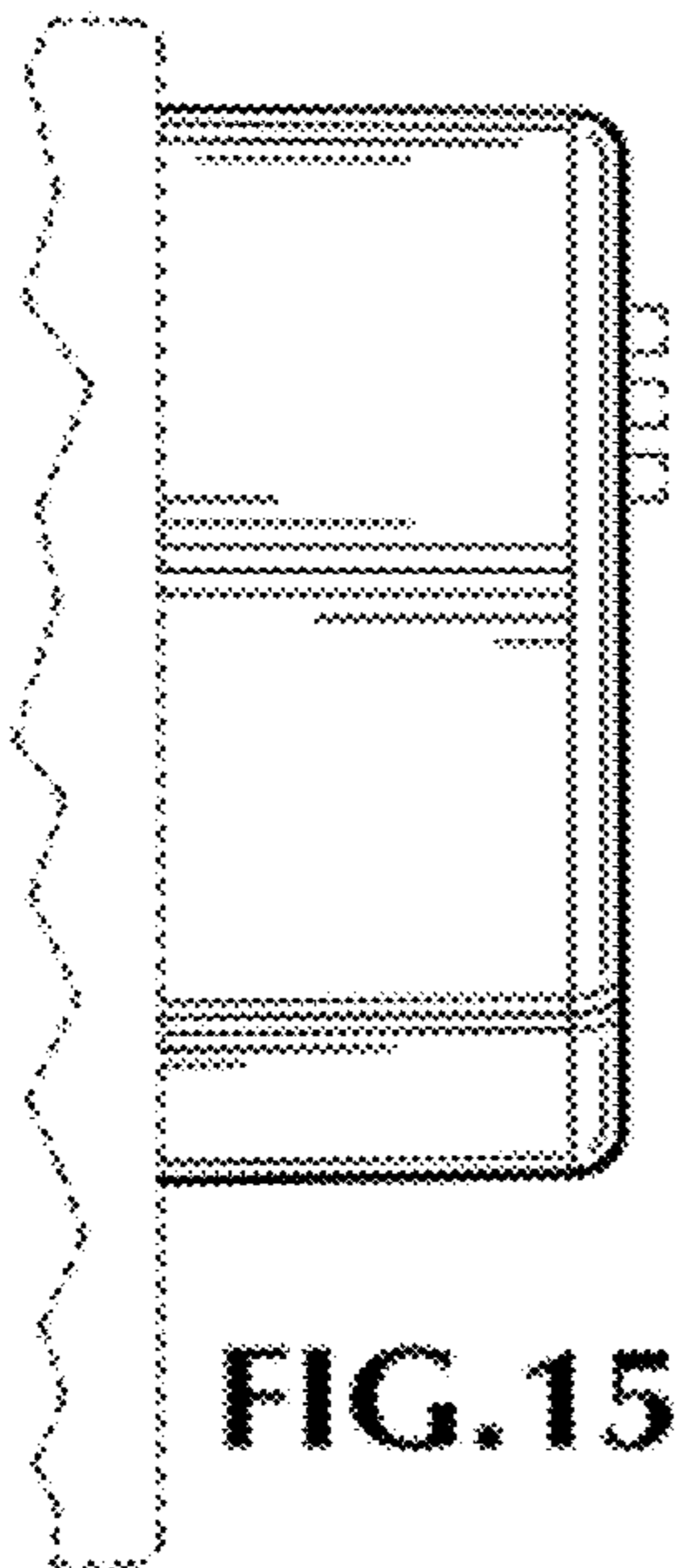


FIG. 15

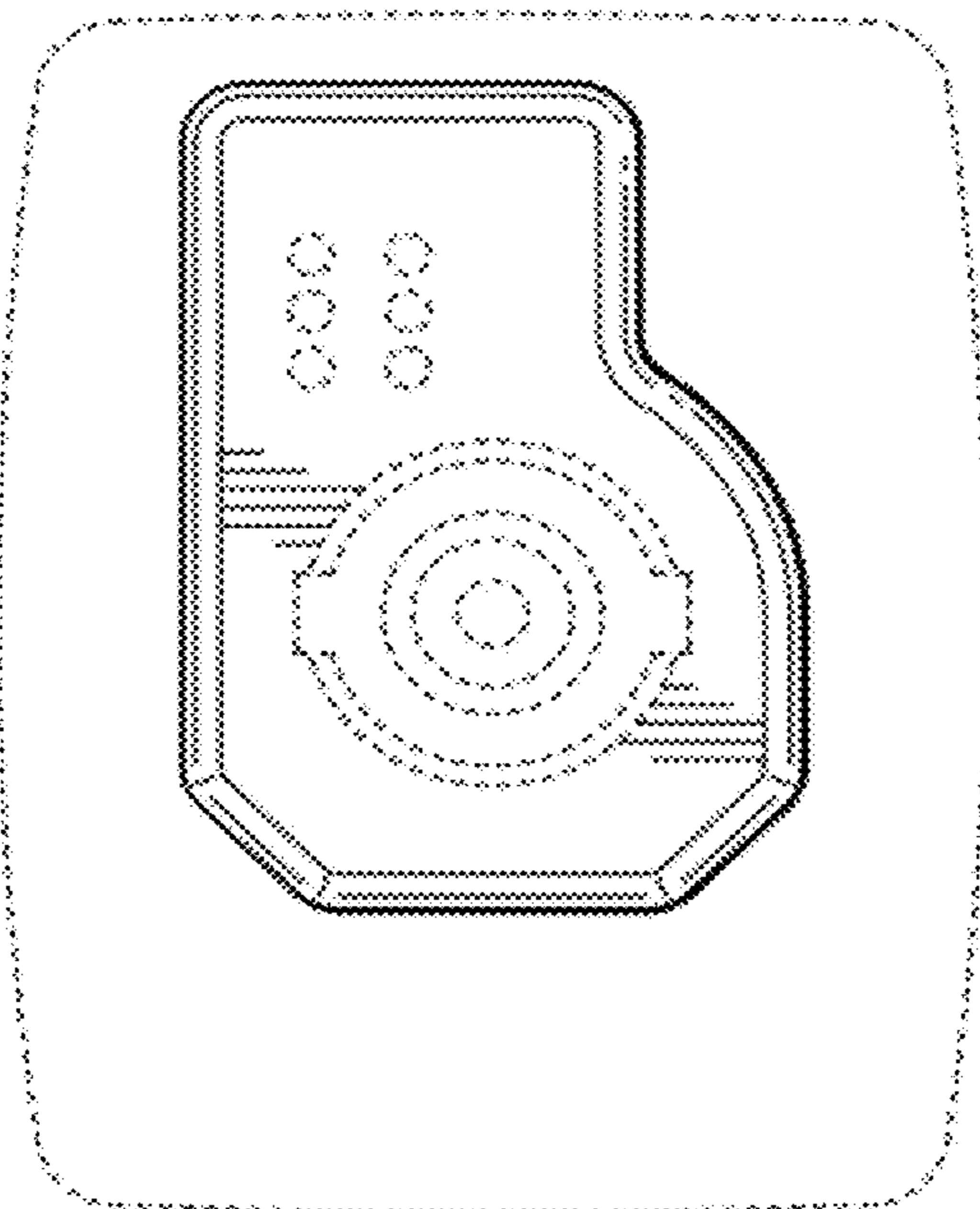


FIG. 14

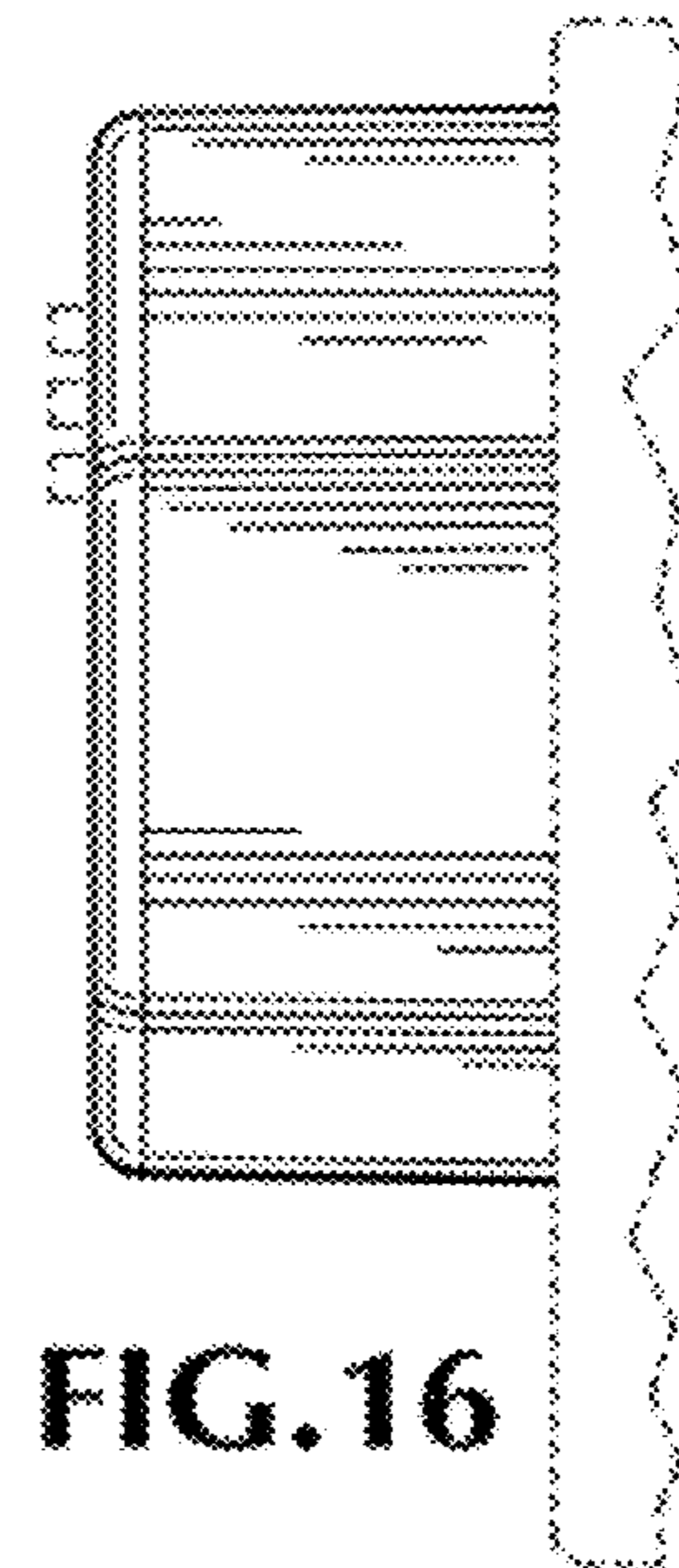


FIG. 16

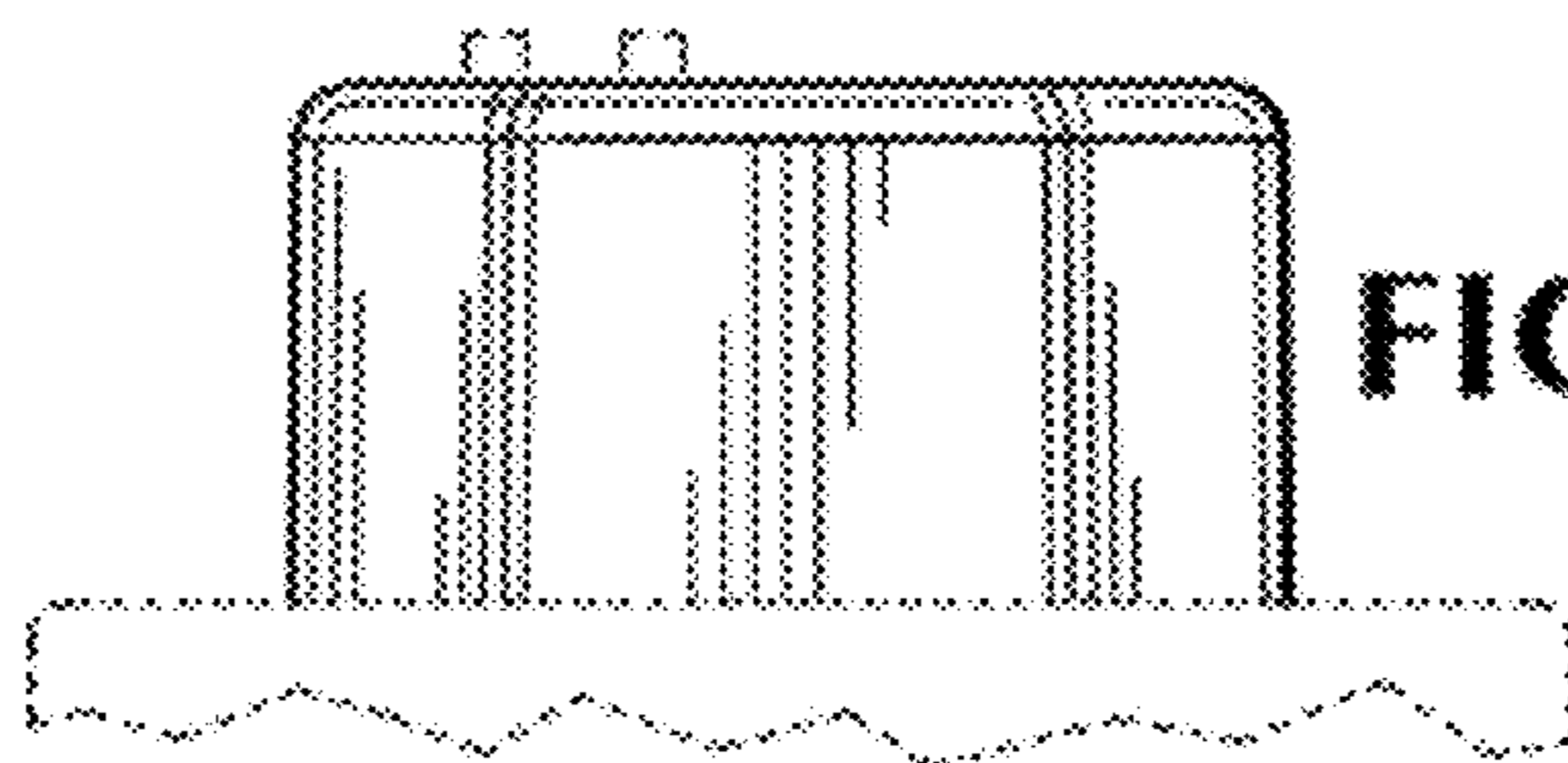


FIG. 18