



US00D673118S

(12) **United States Design Patent**
Giefers et al.

(10) **Patent No.:** **US D673,118 S**

(45) **Date of Patent:** **** Dec. 25, 2012**

(54) **ELECTRICAL CONNECTOR**

(75) Inventors: **Stefan Giefers**, Detmold (DE); **Mehmet Sagdic**, Detmold (DE)

(73) Assignee: **Phoenix Contact GmbH & Co. KG**, Blomberg (DE)

(**) Term: **14 Years**

(21) Appl. No.: **29/379,898**

(22) Filed: **Nov. 26, 2010**

(30) **Foreign Application Priority Data**

May 26, 2010 (EM) 001712183

(51) **LOC (9) Cl.** **13-03**

(52) **U.S. Cl.** **D13/133**

(58) **Field of Classification Search** D13/133,
D13/146, 147, 154, 184, 199; 439/135, 149,
439/152–153, 159–160, 180, 246, 249, 252,
439/266, 270, 278–279, 283, 299, 332, 344,
439/374, 378–379, 445, 447, 476.1, 483,
439/527, 578, 585, 892, 894, 901, 903, 923,
439/948, 954

See application file for complete search history.

(56) **References Cited**

U.S. PATENT DOCUMENTS

D322,954 S *	1/1992	Avramovich	D13/133
D513,405 S *	1/2006	Rohr et al.	D13/133
D539,743 S	4/2007	Langer et al.		
D597,947 S *	8/2009	Ono	D13/133
D601,090 S	9/2009	Vigorito et al.		
D626,068 S	10/2010	Giefers et al.		
D626,506 S	11/2010	Giefers et al.		
D638,797 S	5/2011	Ohmori		
D639,242 S	6/2011	Ohmori		
D645,000 S	9/2011	Yoshida		
D647,479 S	10/2011	Ohmori		
D647,480 S	10/2011	Ohmori		
D647,481 S	10/2011	Ohmori		

D647,849 S * 11/2011 Yu D13/133
2004/0132339 A1 7/2004 Buenz et al.
2011/0294335 A1 12/2011 Sagdic et al.

OTHER PUBLICATIONS

Co-pending U.S. Appl. No. 29/379,899, filed Nov. 26, 2010, entitled "Electrical Connector".

* cited by examiner

Primary Examiner — Daniel Bui

(74) *Attorney, Agent, or Firm* — Leydig, Voit & Mayer, Ltd.

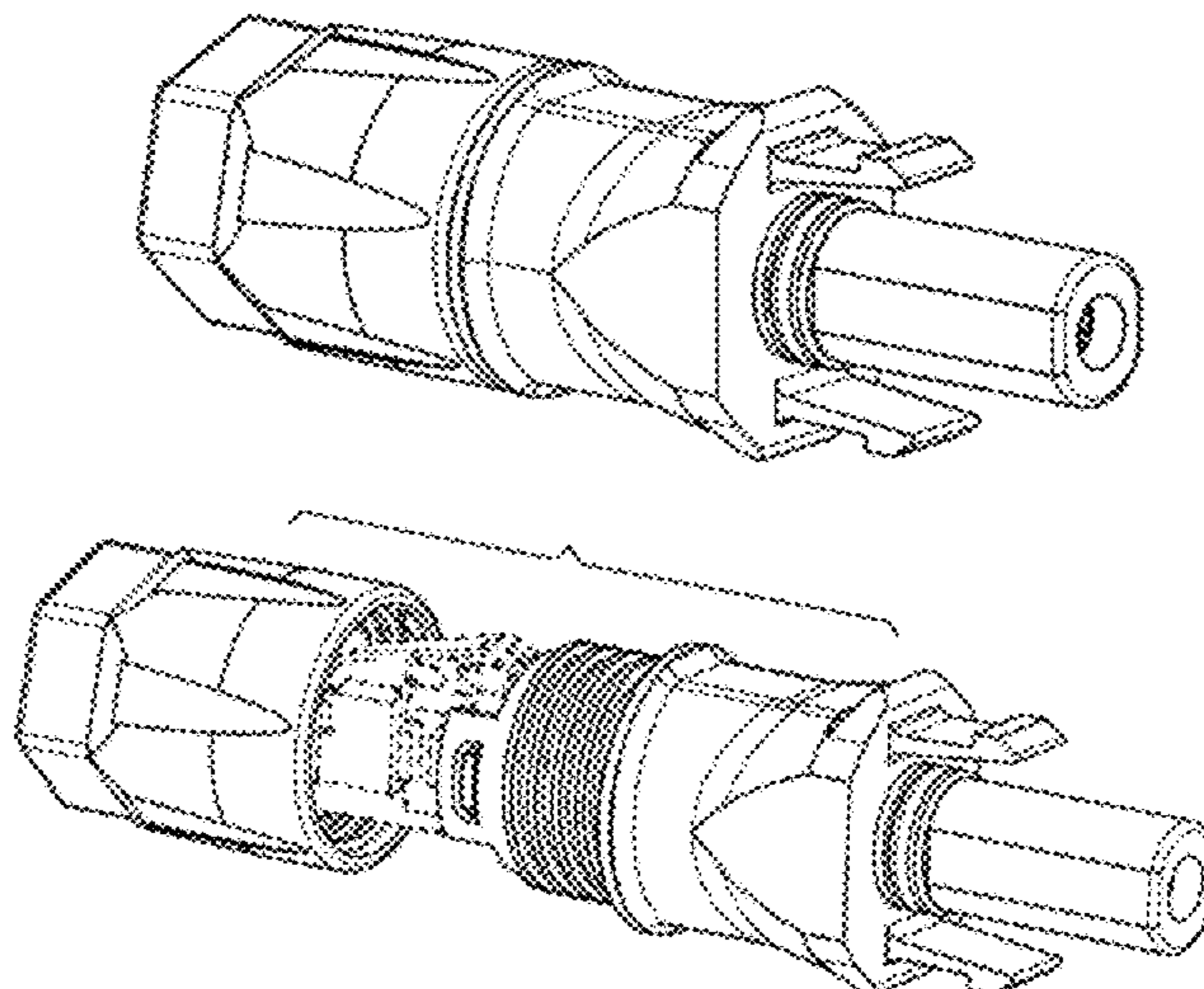
(57) **CLAIM**

The ornamental design for an electrical connector, as shown and described.

DESCRIPTION

FIG. 1 is a front, left, top-side perspective view of the electrical connector showing our new design;
FIG. 2 is a left side view thereof, the right side view being a mirror image of the left side view;
FIG. 3 is a top view thereof, the bottom view being a mirror image of the top view;
FIG. 4 is a rear view thereof;
FIG. 5 is a front view thereof;
FIG. 6 is front, left, top-side exploded perspective view thereof;
FIG. 7 is a left side exploded view thereof, the right side exploded view being a mirror image of the left side exploded view; and,
FIG. 8 is a top exploded view thereof, the bottom exploded view being a mirror image of the top exploded view.
The broken lines in the Figures depict interior portions of the connector that form no part of the claimed design.
The broken lines shown in the drawings are included to show unclaimed environment only and form no part of the claimed design.

1 Claim, 3 Drawing Sheets



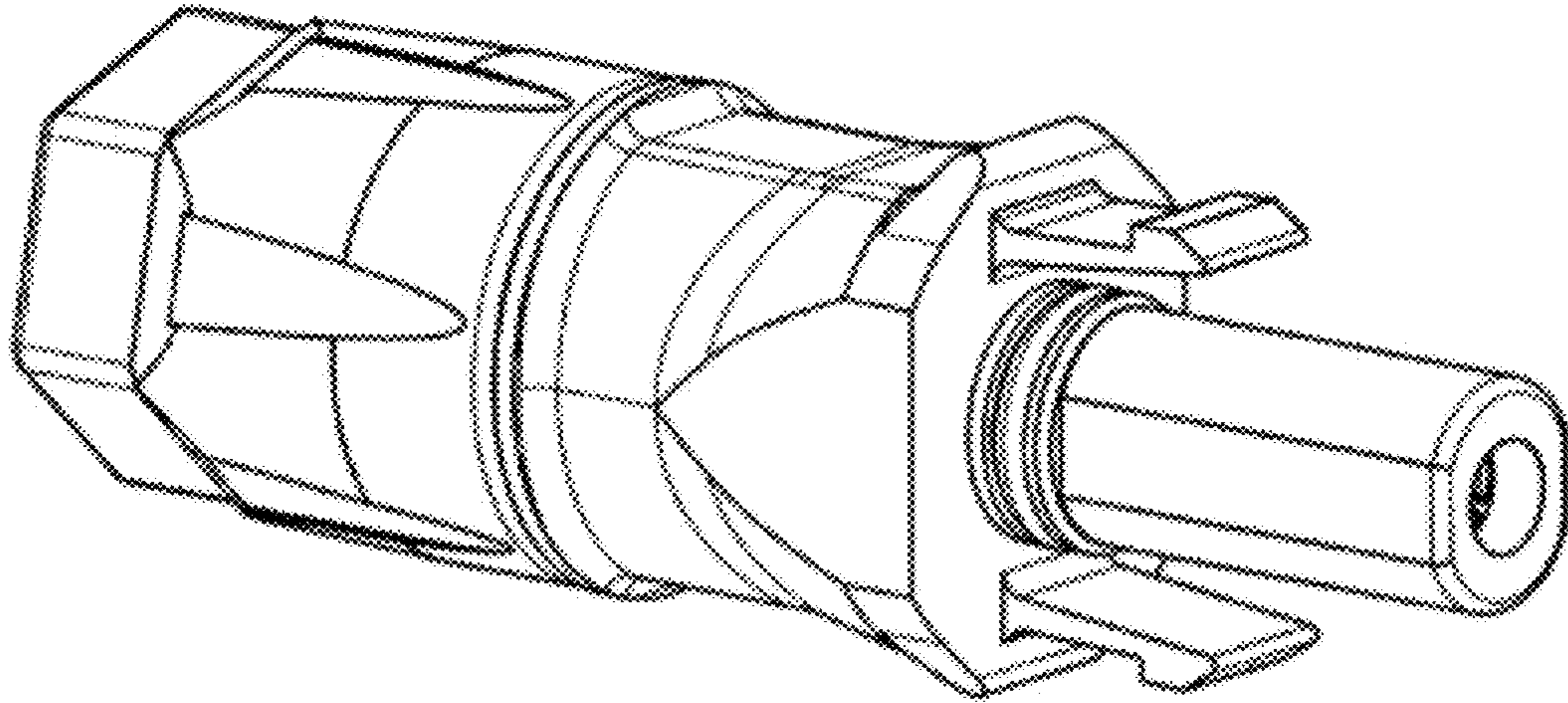


FIG. 1

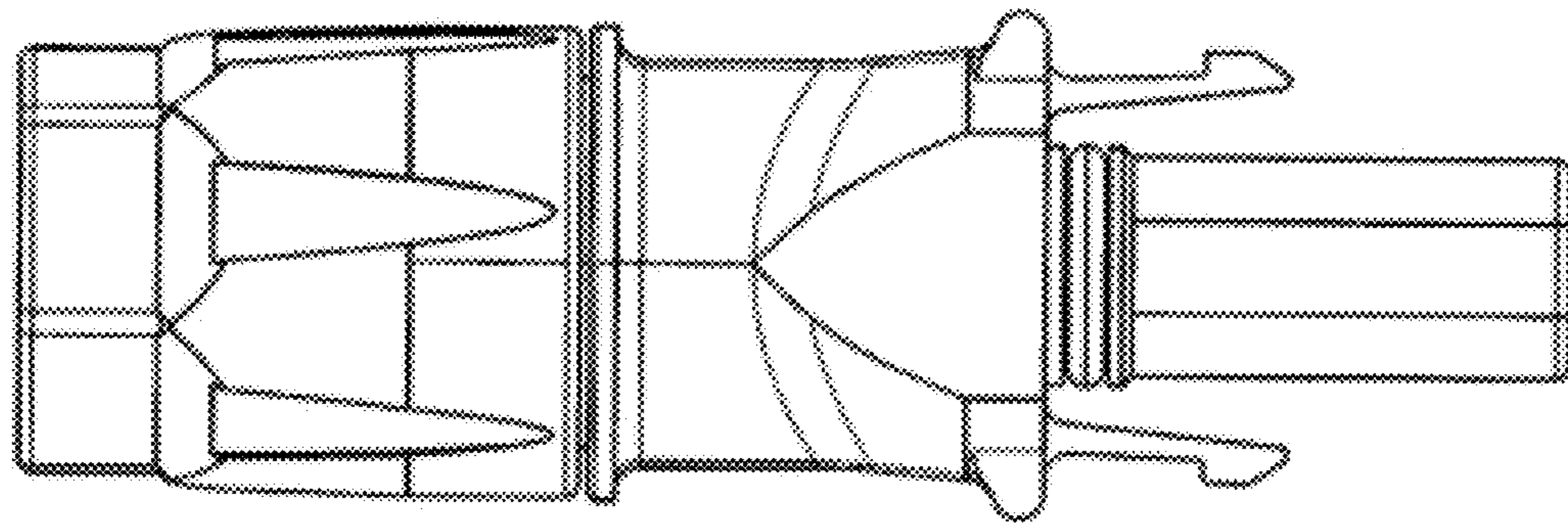


FIG. 2

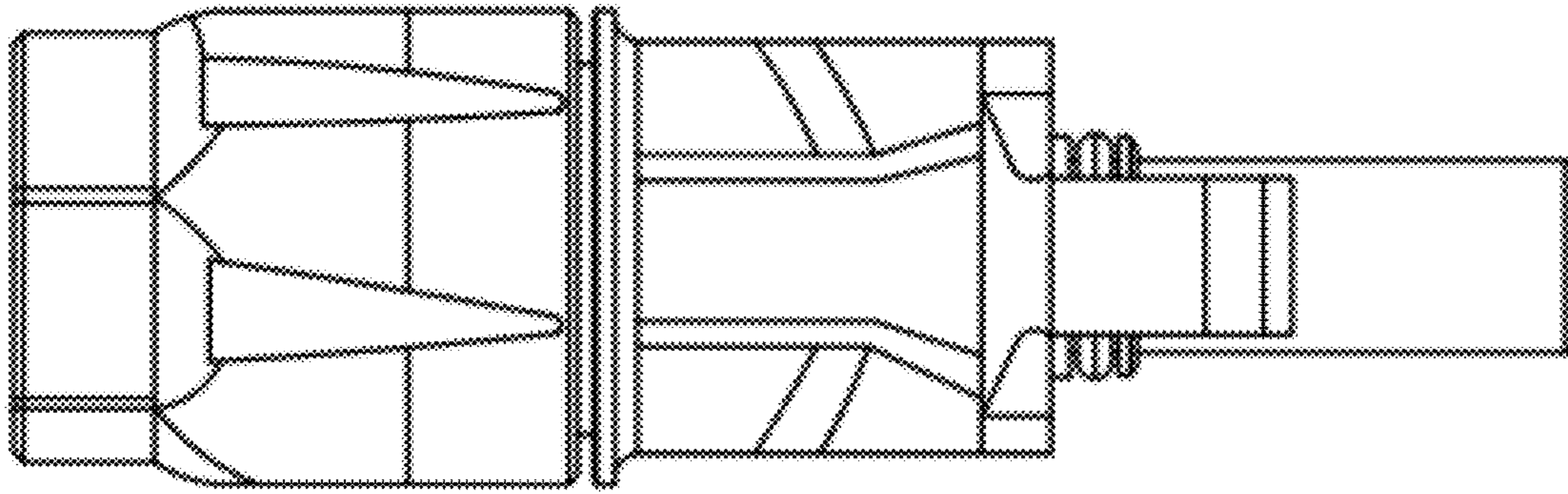


FIG. 3

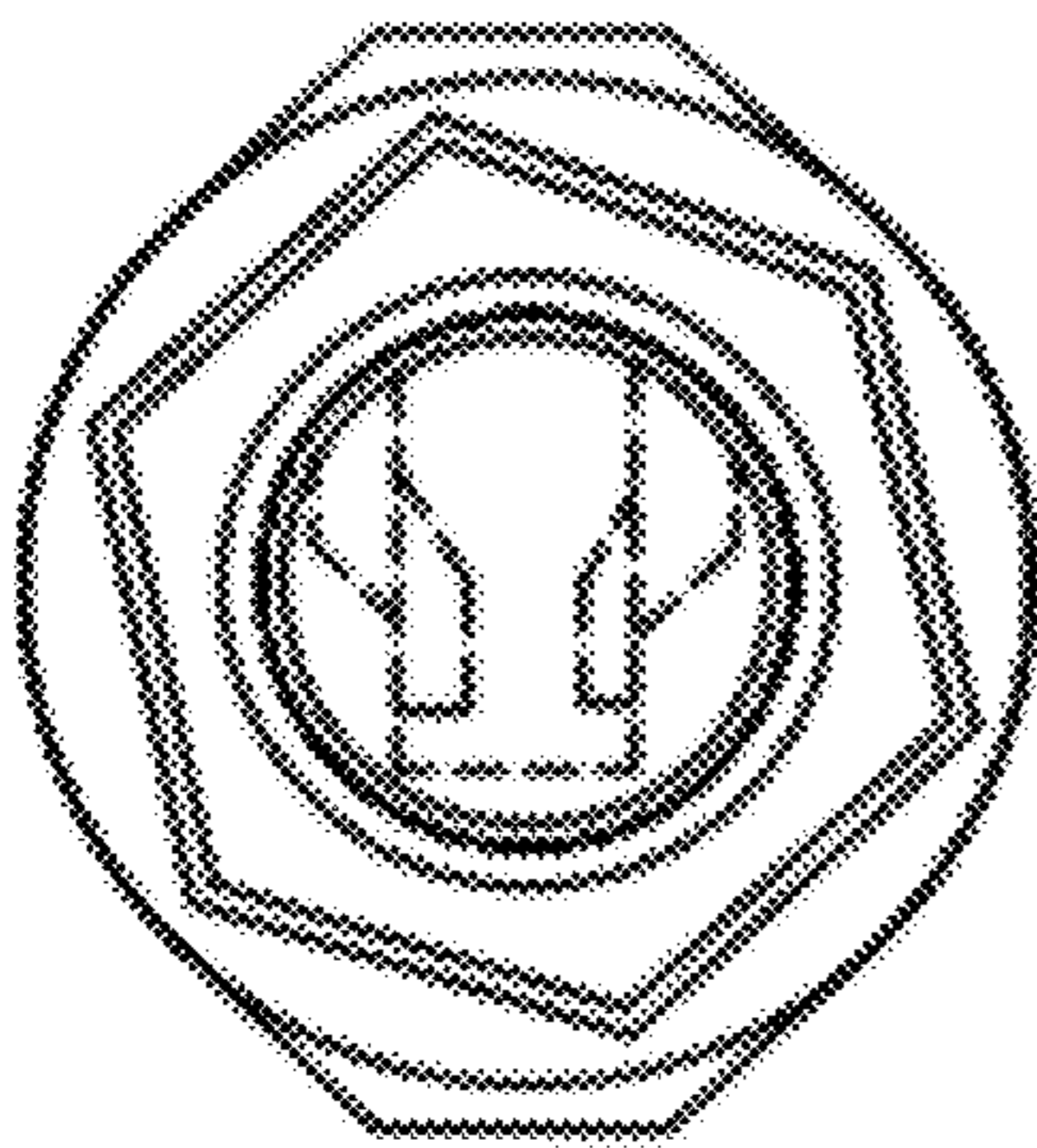


FIG. 4

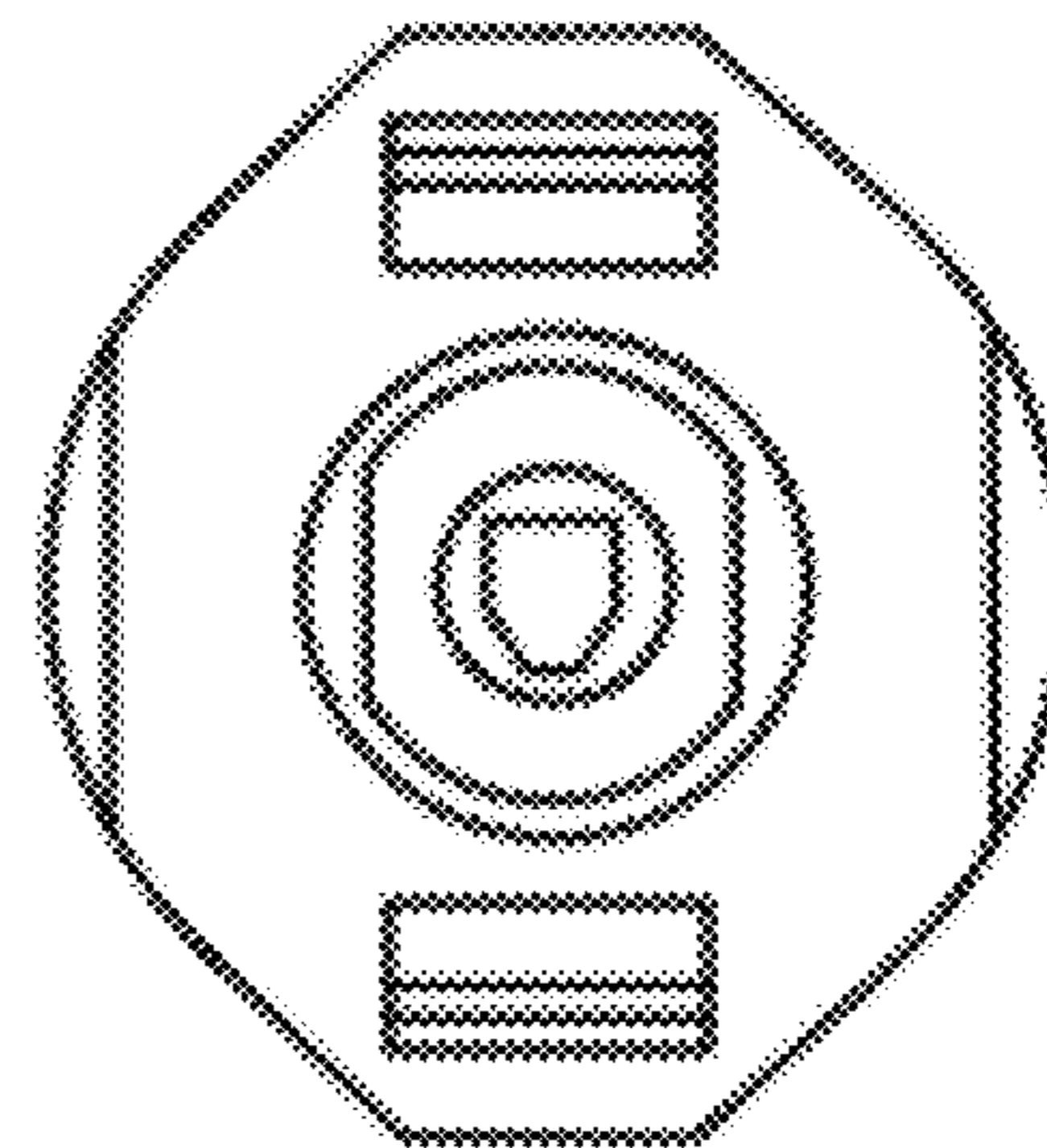


FIG. 5

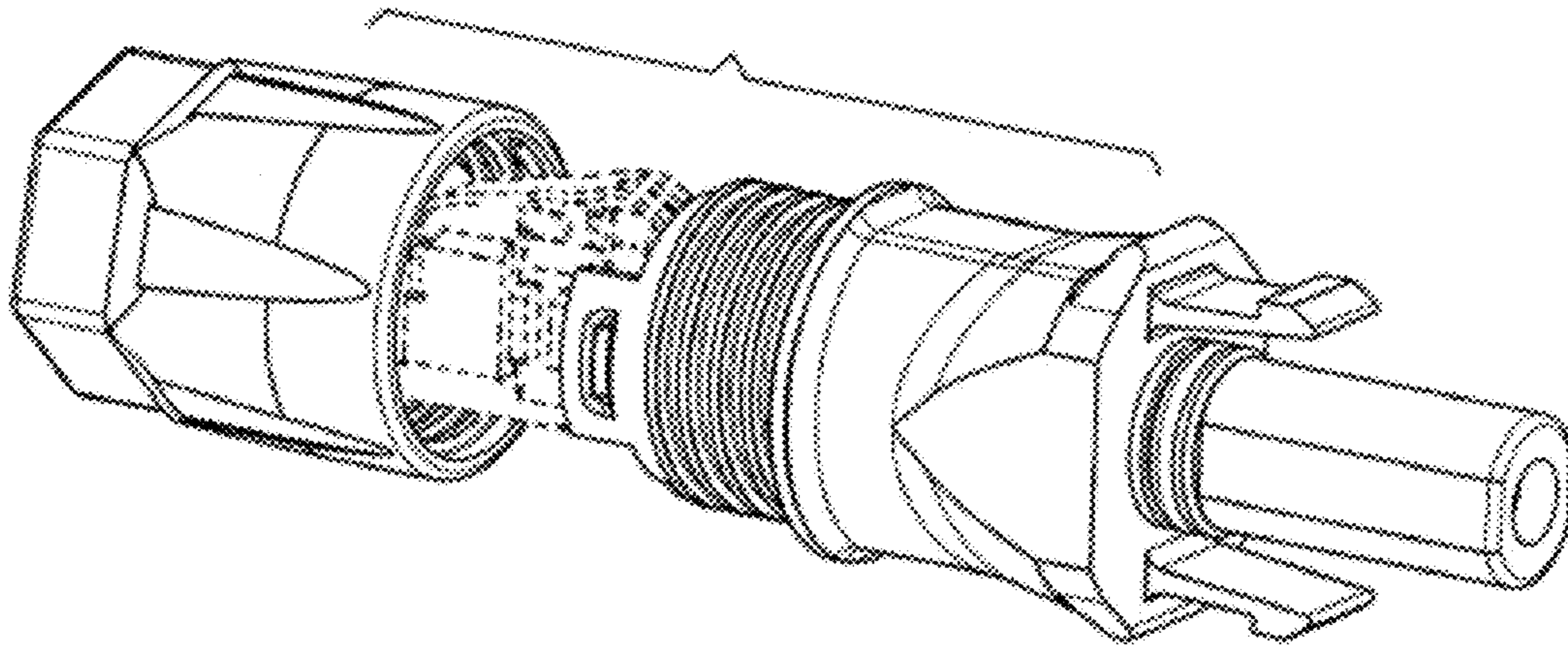


FIG. 6

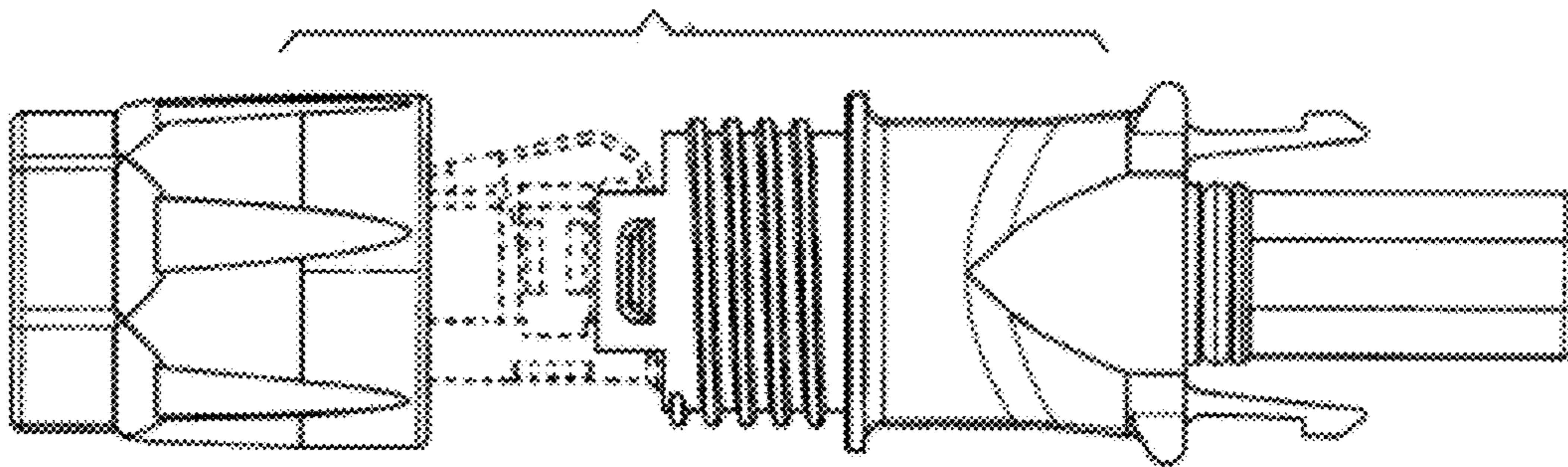


FIG. 7

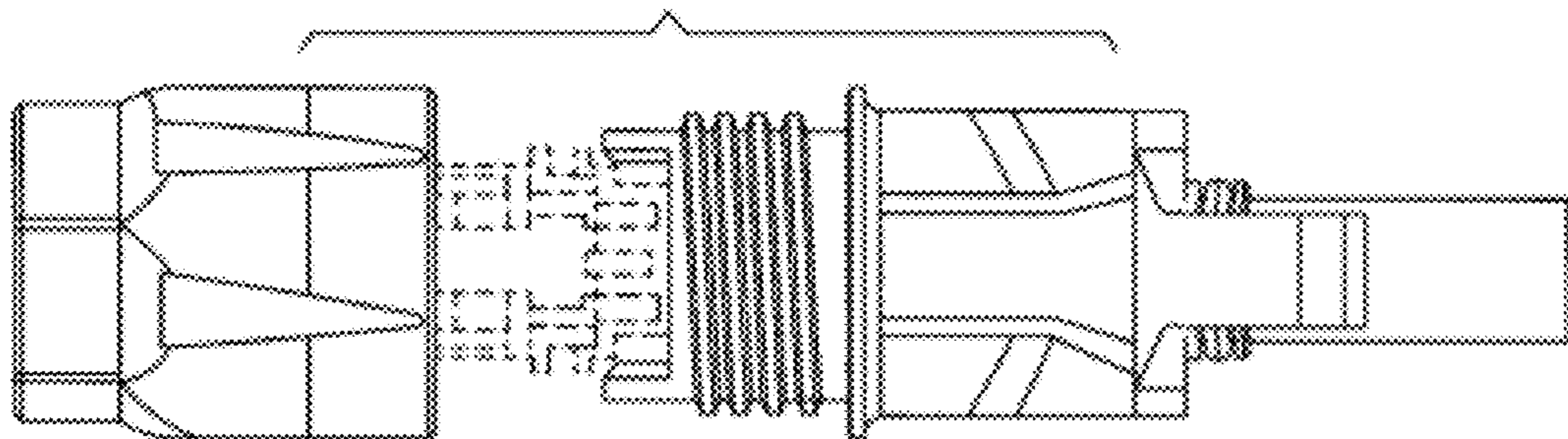


FIG. 8