

US00D673117S

(12) **United States Design Patent**  
**Gassauer**

(10) **Patent No.:** **US D673,117 S**

(45) **Date of Patent:** **\*\* Dec. 25, 2012**

(54) **ELECTRICAL CONNECTORS**

(75) Inventor: **Stephan Gassauer**, Ilfeld (DE)

(73) Assignee: **WAGO Verwaltungsgesellschaft mbH**,  
Minden (DE)

(\*\*) Term: **14 Years**

(21) Appl. No.: **29/369,380**

(22) Filed: **Sep. 8, 2010**

(30) **Foreign Application Priority Data**

Mar. 9, 2010 (EM) ..... 001679010

(51) **LOC (9) Cl.** ..... **13-03**

(52) **U.S. Cl.** ..... **D13/133**

(58) **Field of Classification Search** ..... D13/133,  
D13/146, 147, 154, 184, 199; 439/82, 83,  
439/409, 412, 413, 567, 636, 660, 692, 709,  
439/715, 716, 844, 849, 850-852, 857, 862,  
439/865-867, 870, 877, 884-891; 361/823

See application file for complete search history.

(56) **References Cited**

**U.S. PATENT DOCUMENTS**

D471,875 S \* 3/2003 Woelfle ..... D13/149  
D593,951 S \* 6/2009 Yoon ..... D13/147  
D598,858 S \* 8/2009 Stromiedel et al. .... D13/133

D612,808 S \* 3/2010 Billerbeck ..... D13/147  
D612,810 S \* 3/2010 Bender ..... D13/147  
D618,619 S \* 6/2010 Walter ..... D13/147  
D621,784 S \* 8/2010 Bower et al. .... D13/147  
D625,270 S \* 10/2010 Schafmeister ..... D13/147  
2012/0071023 A1\* 3/2012 Kuhlmann ..... 439/533

\* cited by examiner

*Primary Examiner* — Daniel Bui

(74) *Attorney, Agent, or Firm* — Whitham Curtis  
Christofferson & Cook, PC

(57) **CLAIM**

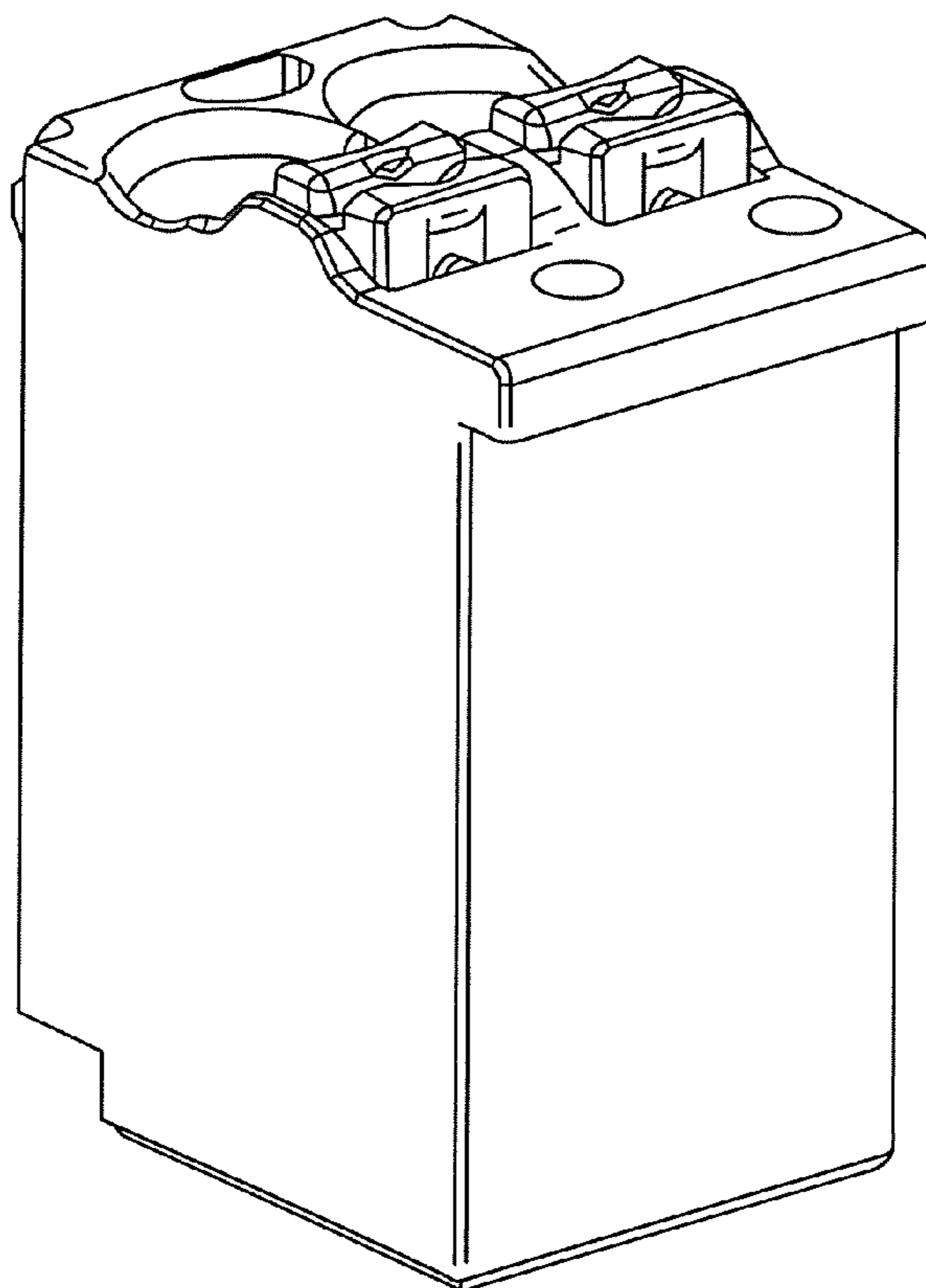
The ornamental design for an electrical connector, as shown  
and described.

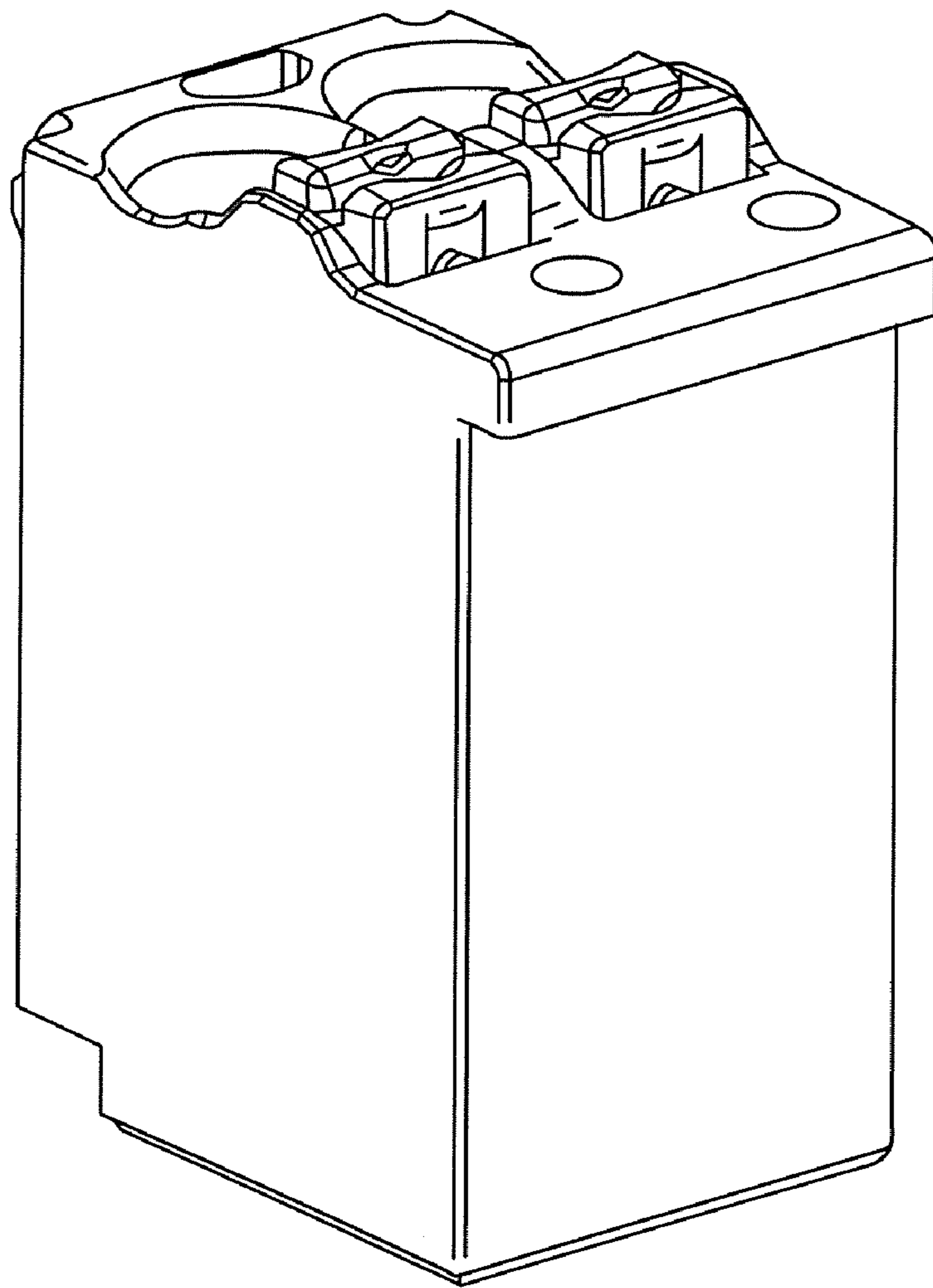
**DESCRIPTION**

FIG. 1 is a front, top, and right side perspective view of an  
electrical connector showing my new design;  
FIG. 2 is a bottom view thereof;  
FIG. 3 is a right side view thereof;  
FIG. 4 is a top view thereof;  
FIG. 5 is a left side view thereof;  
FIG. 6 is a front view thereof; and,  
FIG. 7 is a rear view thereof.

The broken lines in the drawing views is included to show  
unclaimed environment only and forms no part of the claimed  
design.

**1 Claim, 7 Drawing Sheets**





*Figure 1*

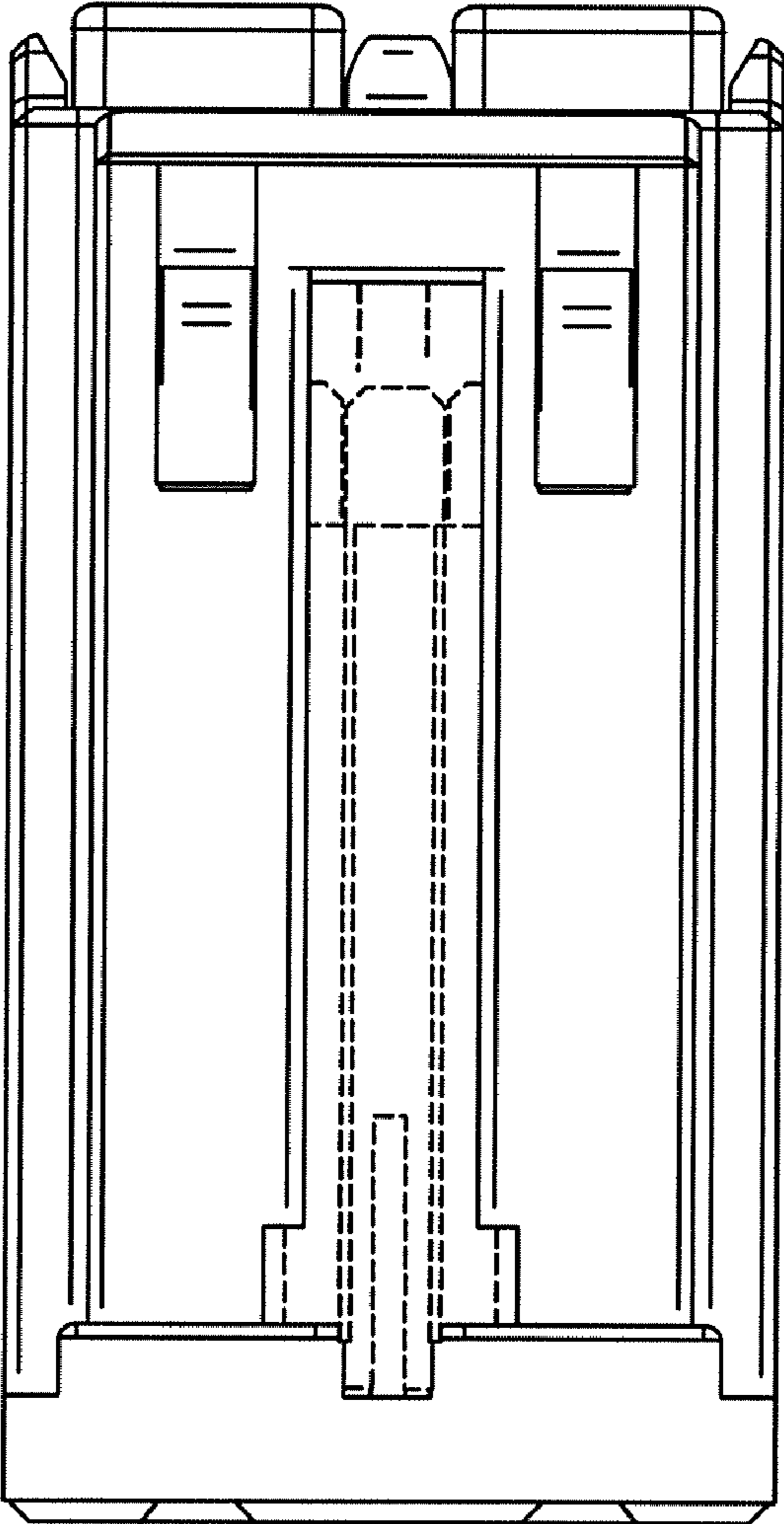
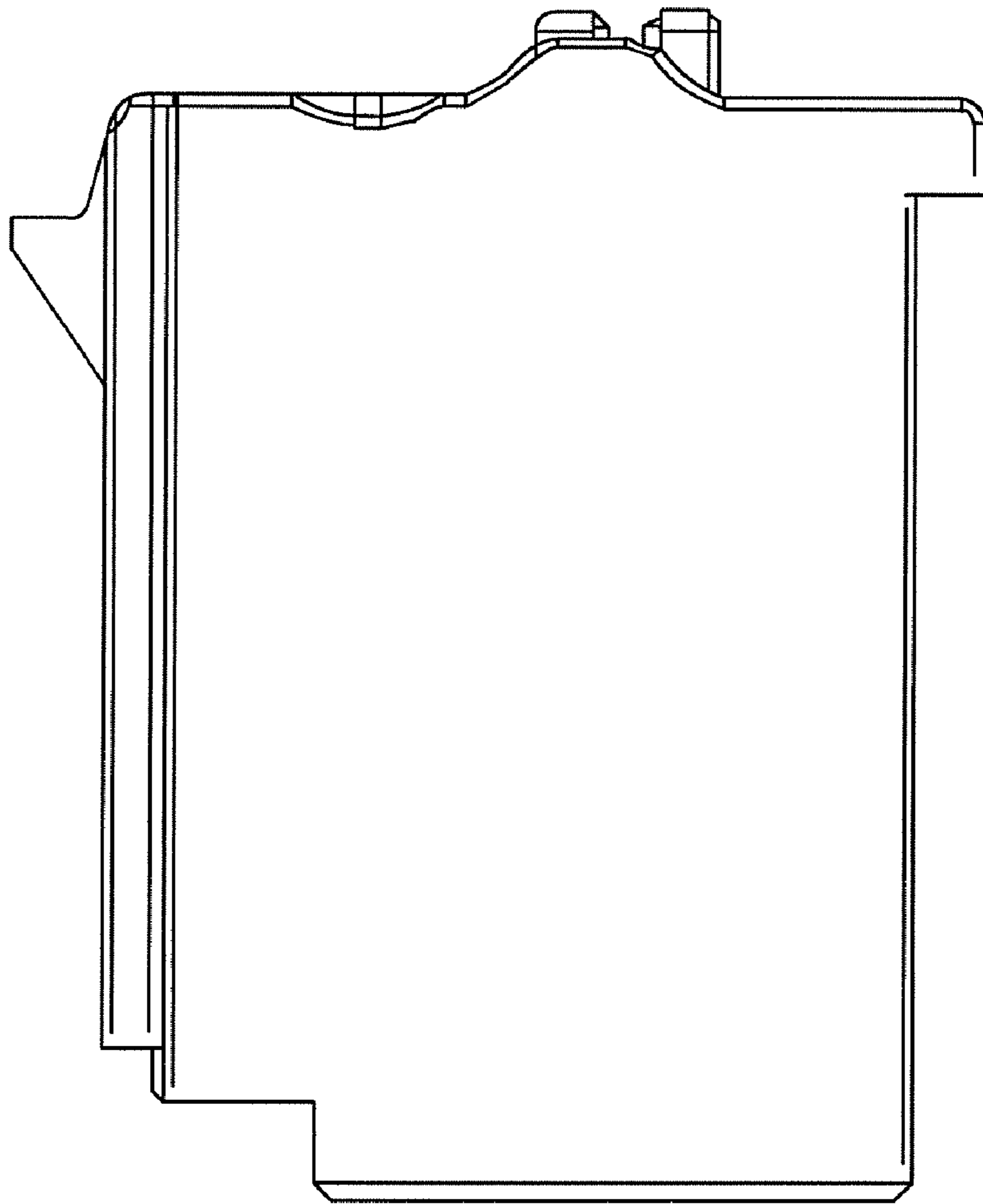
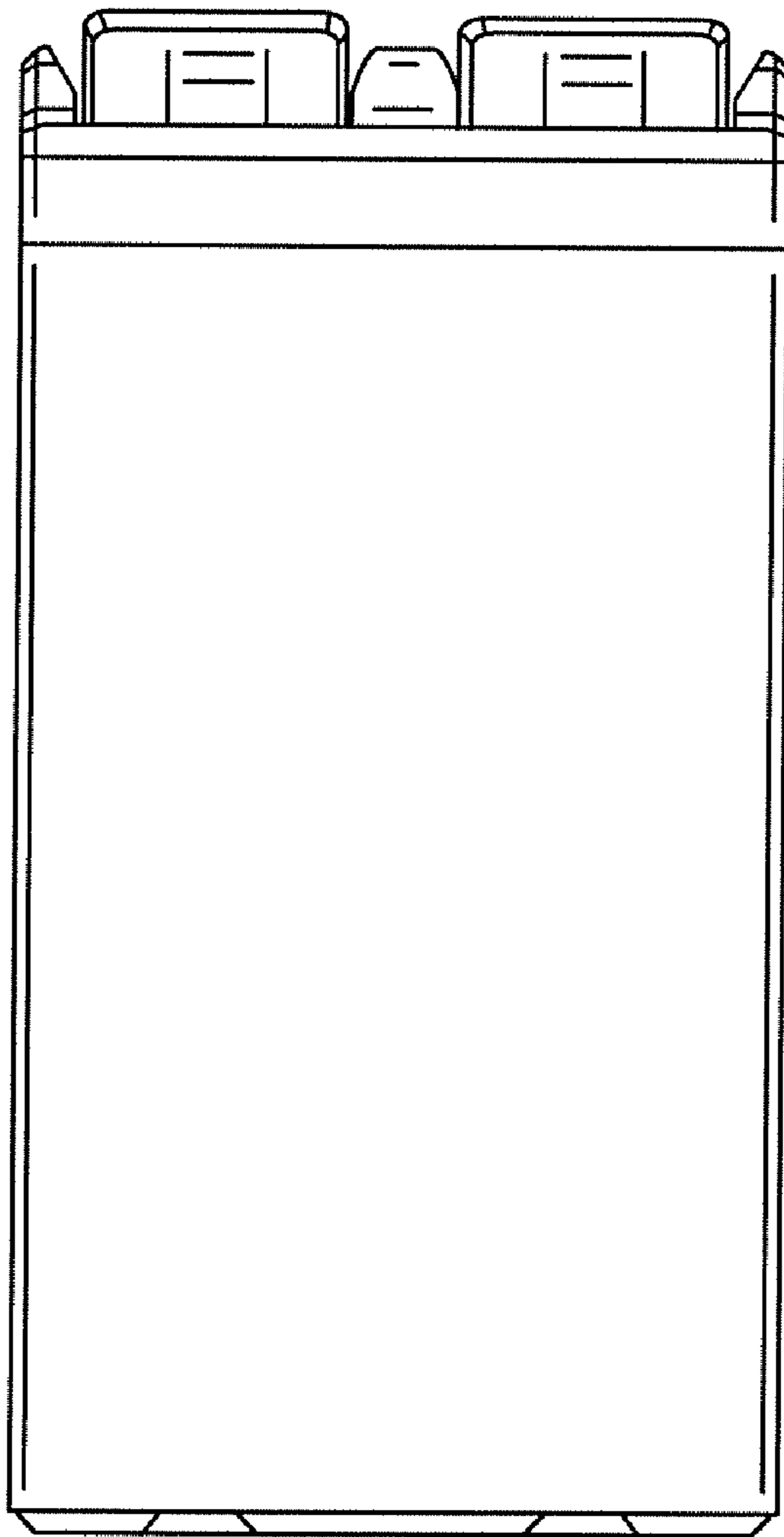


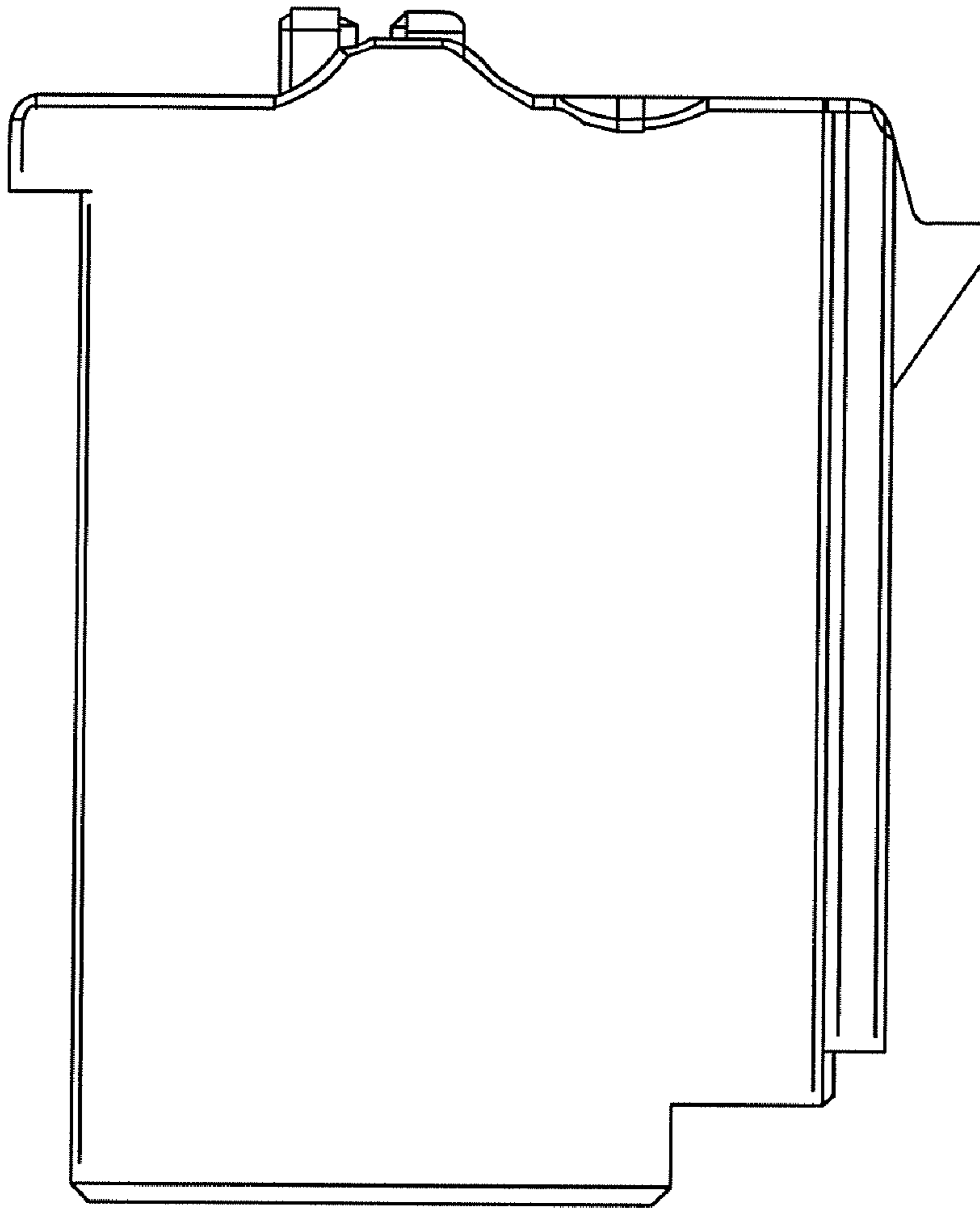
Figure 2



*Figure 3*



*Figure 4*



*Figure 5*

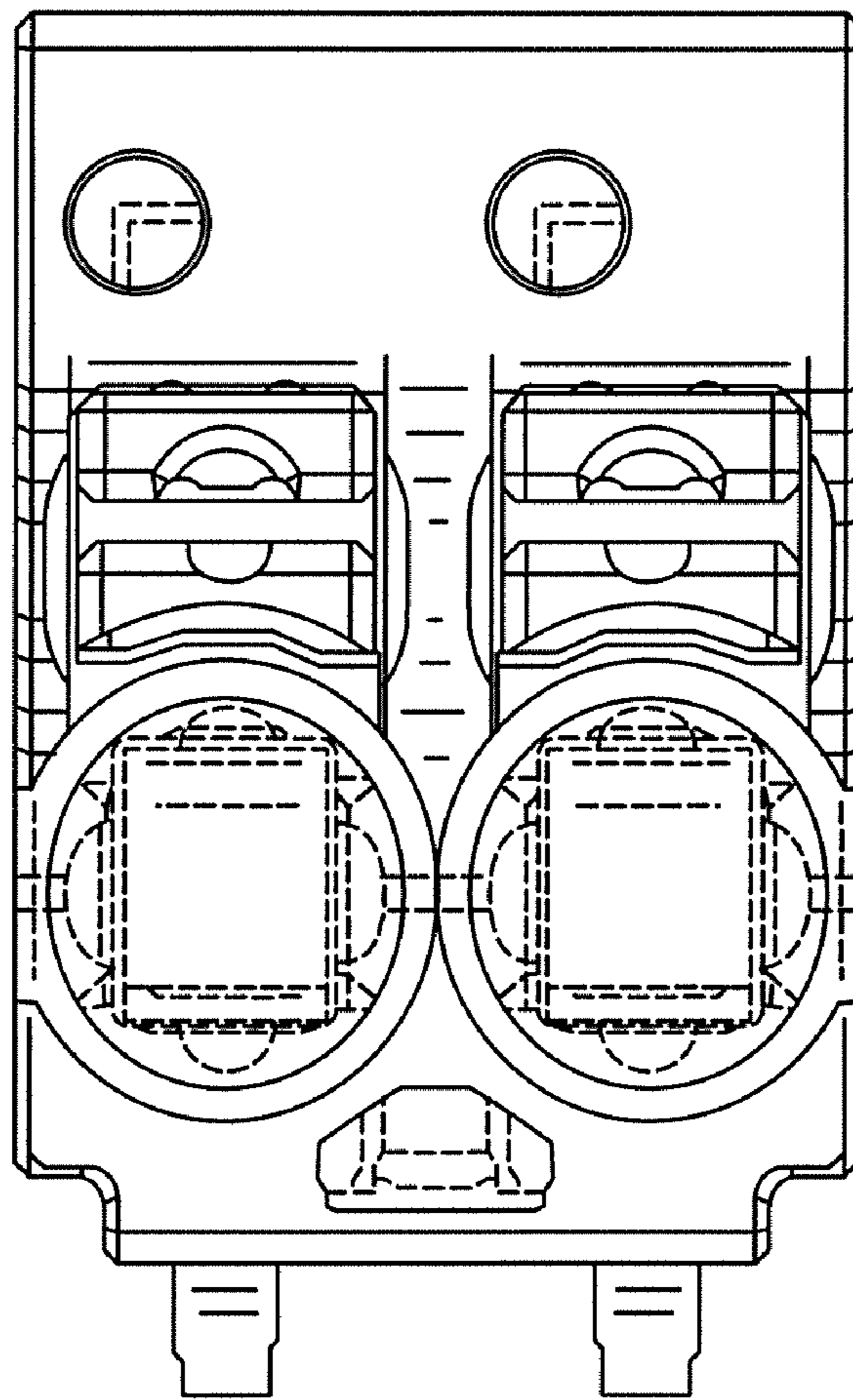


Figure 6

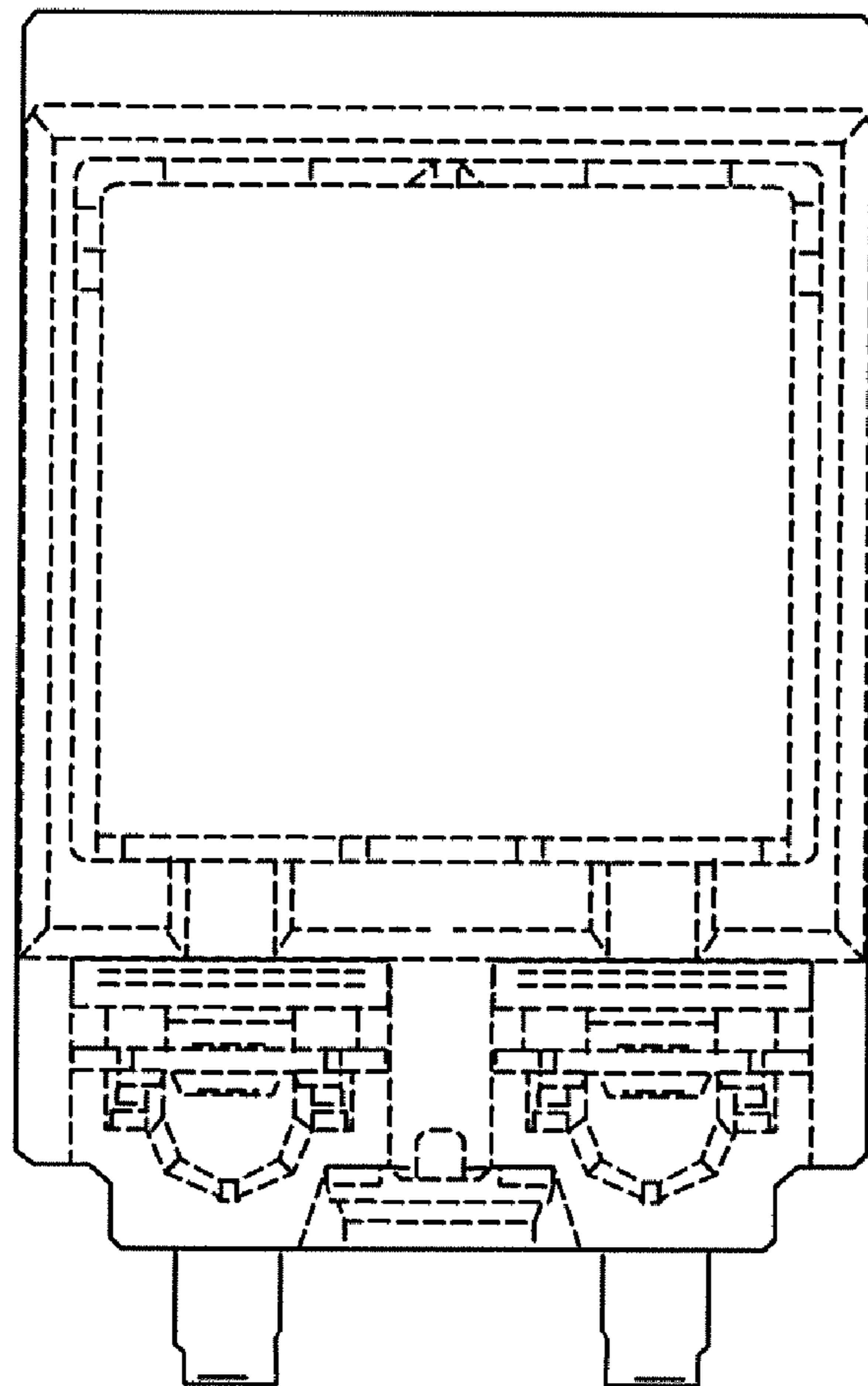


Figure 7