



US00D673116S

(12) **United States Design Patent**  
**Hoermann**

(10) **Patent No.:** **US D673,116 S**

(45) **Date of Patent:** **\*\* Dec. 25, 2012**

(54) **ELECTRIC DRIVE UNIT**

(75) Inventor: **Michael Hoermann**, Halle (DE)

(73) Assignee: **Marantec Antriebs- und Steuerungstechnik GmbH & Co. KG**, Marienfeld (DE)

(\*\*) Term: **14 Years**

(21) Appl. No.: **29/424,674**

(22) Filed: **Jun. 14, 2012**

(30) **Foreign Application Priority Data**

Dec. 16, 2011 (EP) ..... 001963968

(51) **LOC (9) Cl.** ..... **13-01**

(52) **U.S. Cl.** ..... **D13/112**

(58) **Field of Classification Search** ..... D13/112, D13/101, 110, 118, 184, 199; D15/199; 160/7, 8, 9, 176.1 P, 330, 332, 339, 343; 310/83, 90, 98; 322/13, 15, 16, 17, 38, 39  
See application file for complete search history.

(56) **References Cited**

**U.S. PATENT DOCUMENTS**

D327,051 S \* 6/1992 Schwartz ..... D13/118  
D387,598 S \* 12/1997 Liu ..... D6/580

D396,448 S \* 7/1998 Will et al. .... D13/112  
D457,493 S \* 5/2002 Borges ..... D13/112  
D457,858 S \* 5/2002 Lee ..... D13/110  
D525,195 S \* 7/2006 Palese ..... D13/112  
D551,619 S \* 9/2007 Schneider ..... D13/110  
D567,753 S \* 4/2008 Landerholm et al. .... D13/110

\* cited by examiner

*Primary Examiner* — Derrick Holland

(74) *Attorney, Agent, or Firm* — Alleman Hall McCoy Russell & Tuttle LLP

(57) **CLAIM**

The ornamental design for an electric drive unit, as shown and described.

**DESCRIPTION**

FIG. 1 is a bottom view of an electric drive unit according to the present disclosure.

FIG. 2 is a top view of the electric drive unit of FIG. 1.

FIG. 3 is a front view of the electric drive unit of FIG. 1.

FIG. 4 is a right view of the electric drive unit of FIG. 1.

FIG. 5 is a back view of the electric drive unit of FIG. 1.

FIG. 6 is a left view of the electric drive unit of FIG. 1.

FIG. 7 is a front perspective view of the electric drive unit of FIG. 1; and,

FIG. 8 is a rear perspective view of the electric drive unit of FIG. 1.

**1 Claim, 8 Drawing Sheets**

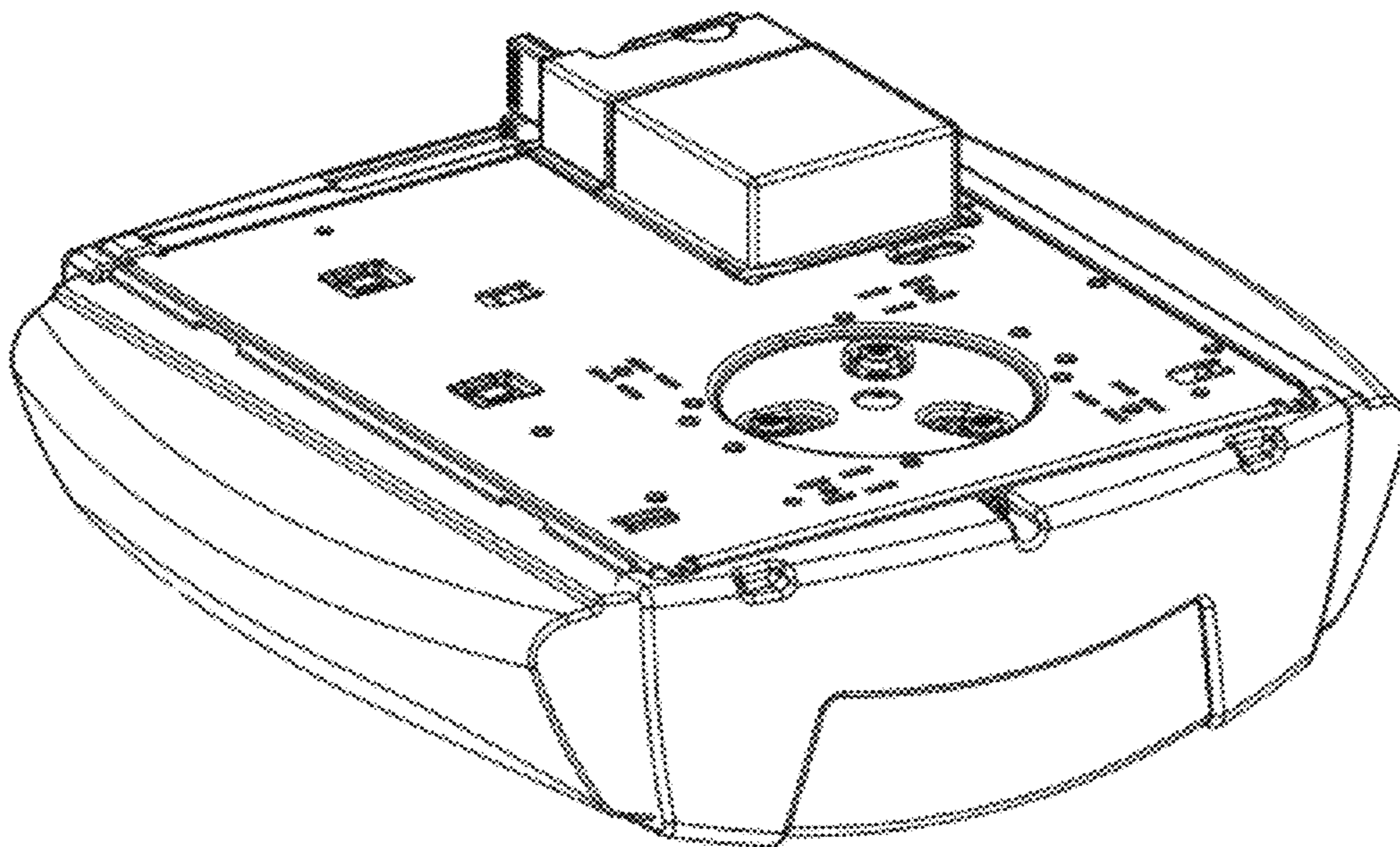


Fig. 1

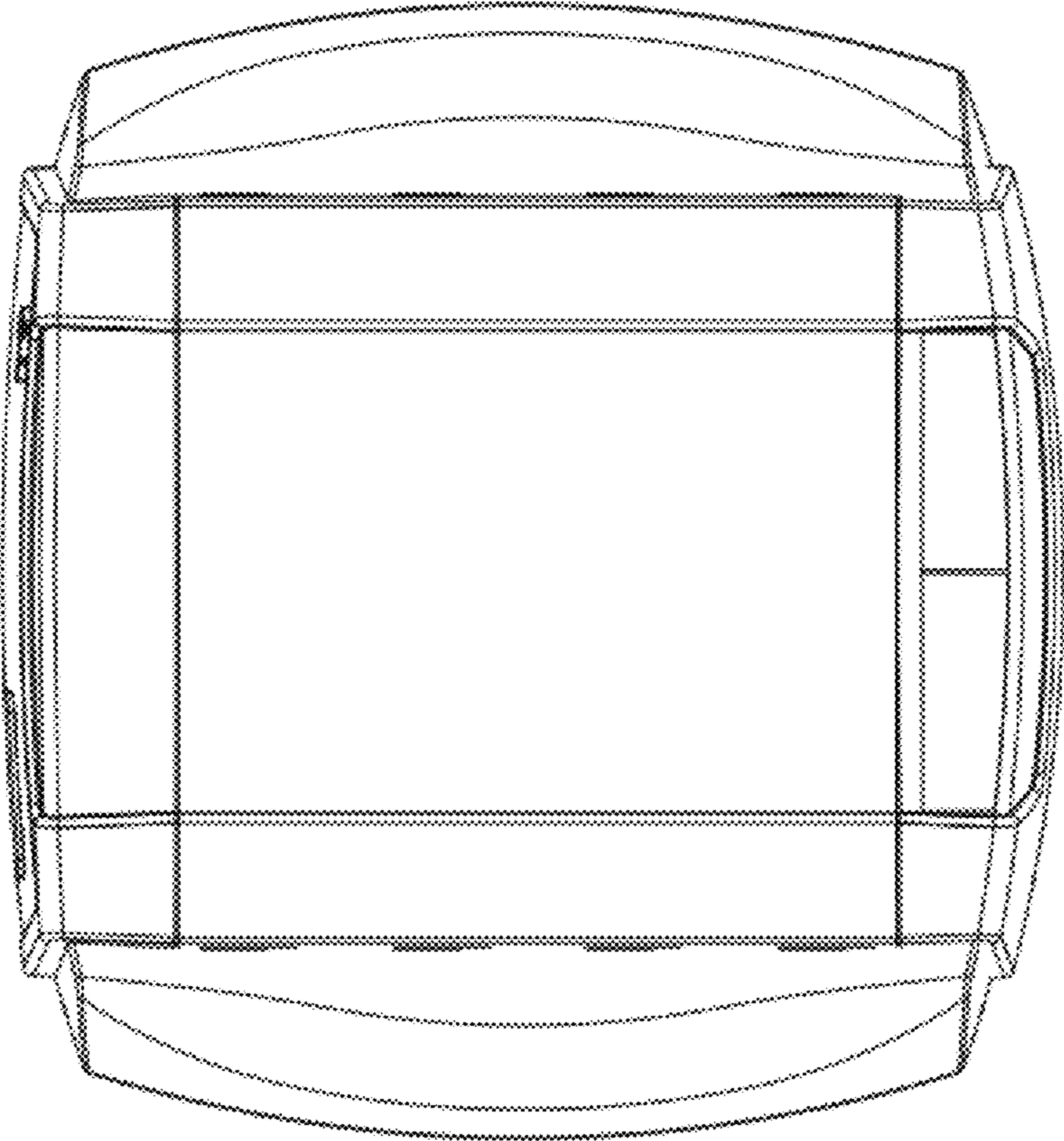


Fig. 2

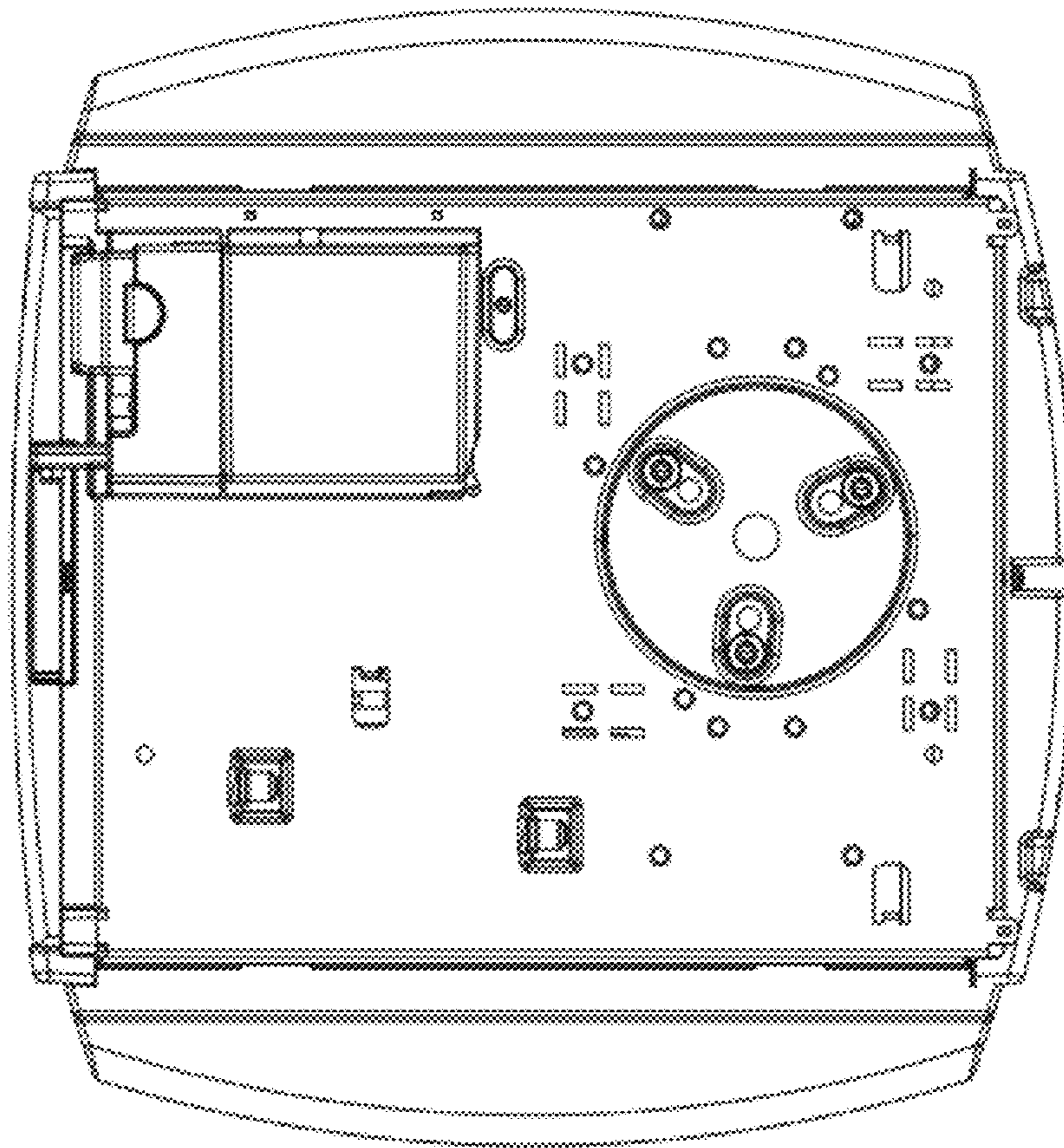


Fig. 3

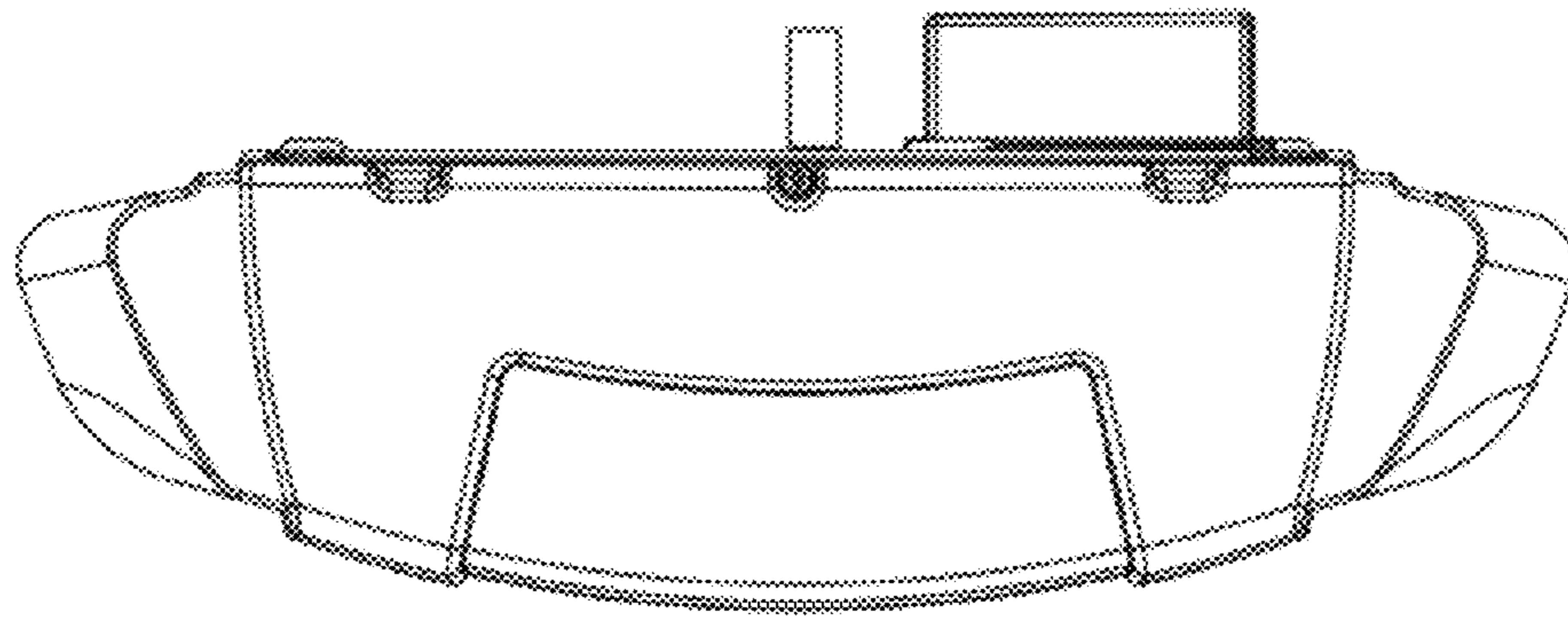


Fig. 4

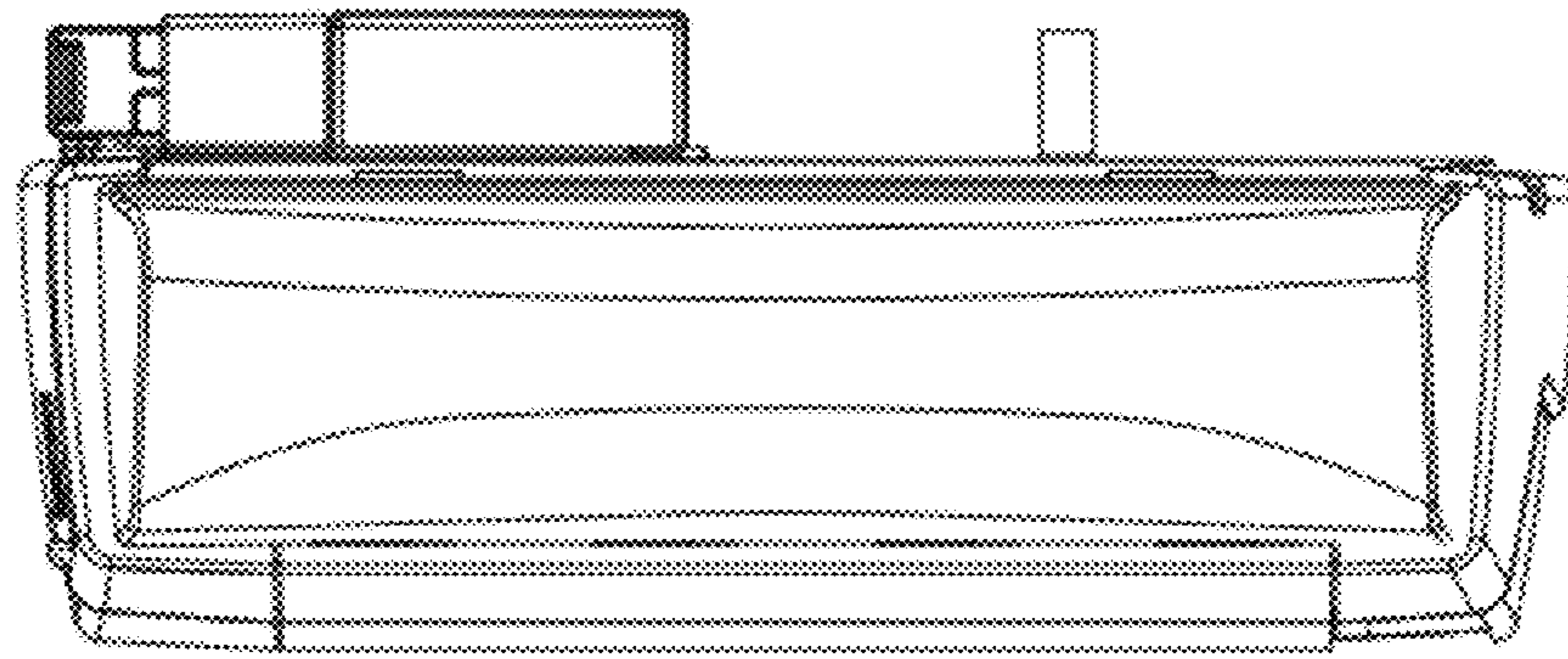


Fig. 5

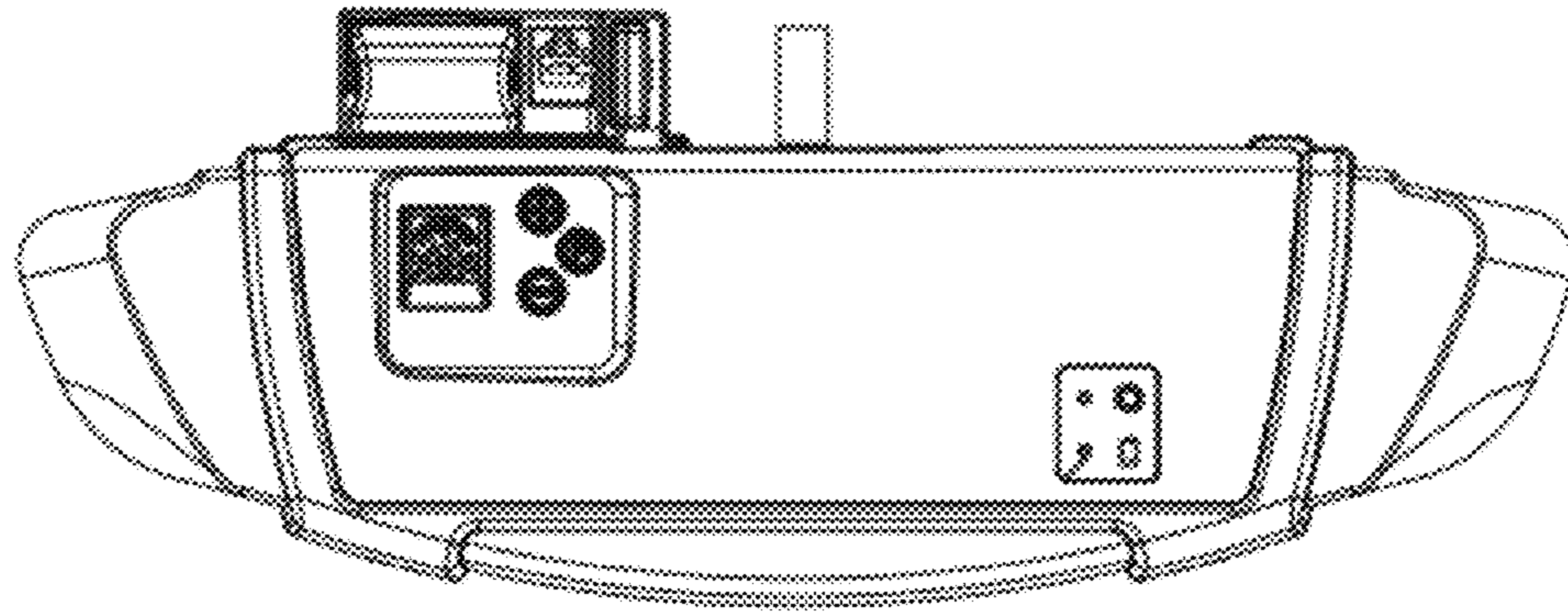


Fig. 6

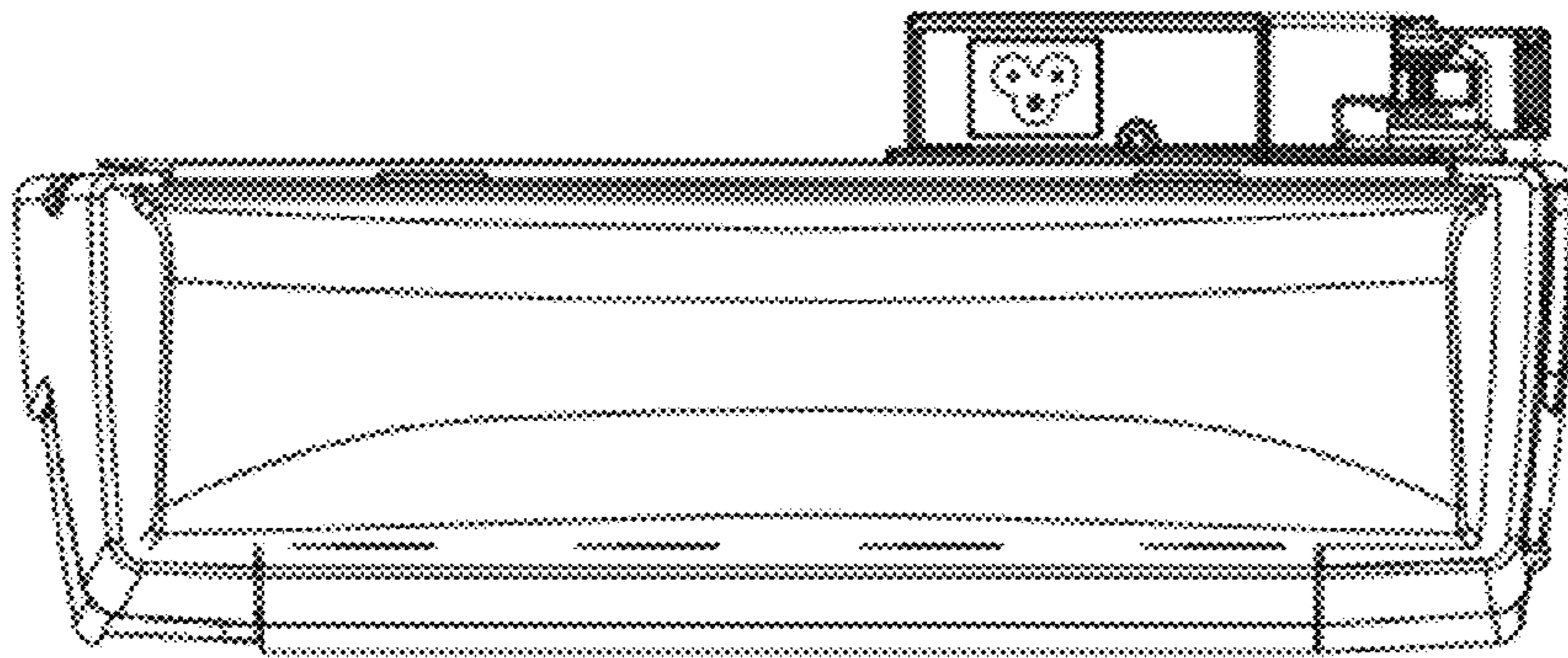


Fig. 7

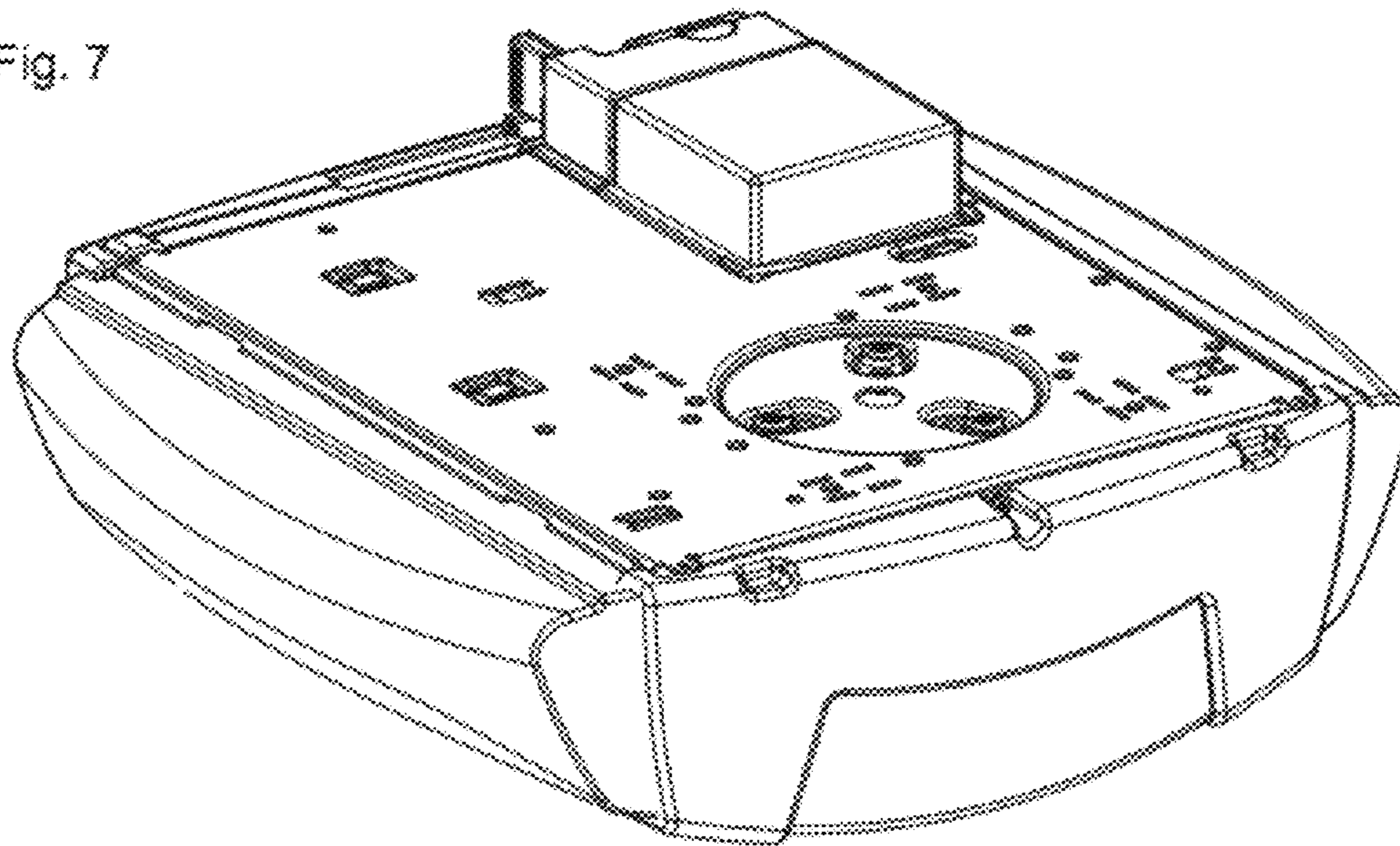




Fig. 8

