



US00D673114S

(12) **United States Design Patent**
Schnakenberg, III et al.

(10) **Patent No.:** **US D673,114 S**

(45) **Date of Patent:** **** Dec. 25, 2012**

(54) **INVERTER MODULE**

(75) Inventors: **George H F Schnakenberg, III**, San Francisco, CA (US); **Stephen Siebold**, Petaluma, CA (US); **Jane Rodgers**, Santa Rosa, CA (US)

(73) Assignee: **Enphase Energy, Inc.**, Petaluma, CA (US)

(**) Term: **14 Years**

(21) Appl. No.: **29/420,584**

(22) Filed: **May 10, 2012**

(51) **LOC (9) Cl.** **13-02**

(52) **U.S. Cl.** **D13/110**

(58) **Field of Classification Search** D13/110,
D13/107, 108, 118, 123, 133, 144, 153, 154,
D13/199; 307/10.1; 320/114; 361/601,
361/610, 709, 730; 363/132, 141, 146; 439/447,
439/448, 483, 668, 669, 682

See application file for complete search history.

(56) **References Cited**

U.S. PATENT DOCUMENTS

4,872,102	A	*	10/1989	Getter	363/141
D349,682	S	*	8/1994	Hunziker	D13/110
D427,147	S	*	6/2000	Wei	D13/110
D494,541	S	*	8/2004	Hriscu et al.	D13/110
D548,180	S	*	8/2007	Krieger et al.	D13/110

D548,181	S	*	8/2007	Krieger et al.	D13/110
D624,495	S	*	9/2010	Shum et al.	D13/110
D651,565	S	*	1/2012	Yura et al.	D13/110

* cited by examiner

Primary Examiner — Derrick Holland

(74) *Attorney, Agent, or Firm* — Moser Taboada

(57) **CLAIM**

The ornamental design for an inverter module, as shown and described.

DESCRIPTION

FIG. 1 is a top view of an inverter module showing a new design;

FIG. 2 is a bottom view of an inverter module showing a new design;

FIG. 3 is a first side view of an inverter module showing a new design;

FIG. 4 is a second side view of an inverter module showing a new design;

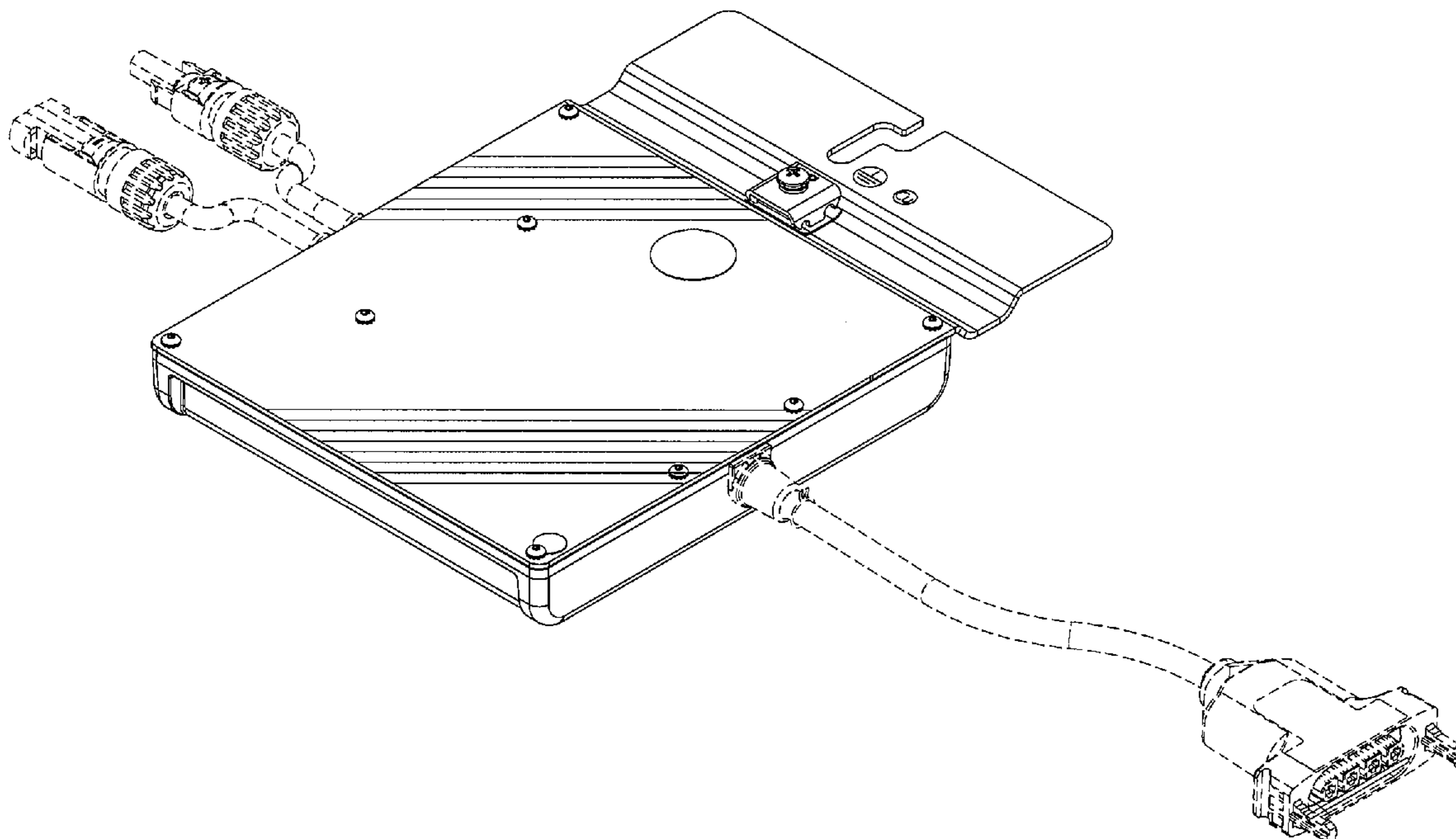
FIG. 5 is a third side view of an inverter module showing a new design;

FIG. 6 is a fourth side view of an inverter module showing a new design; and,

FIG. 7 is a top-perspective view of an inverter module showing a new design.

The broken line portion of the figure drawings is included to show unclaimed subject matter only and forms no part of the claimed design.

1 Claim, 5 Drawing Sheets



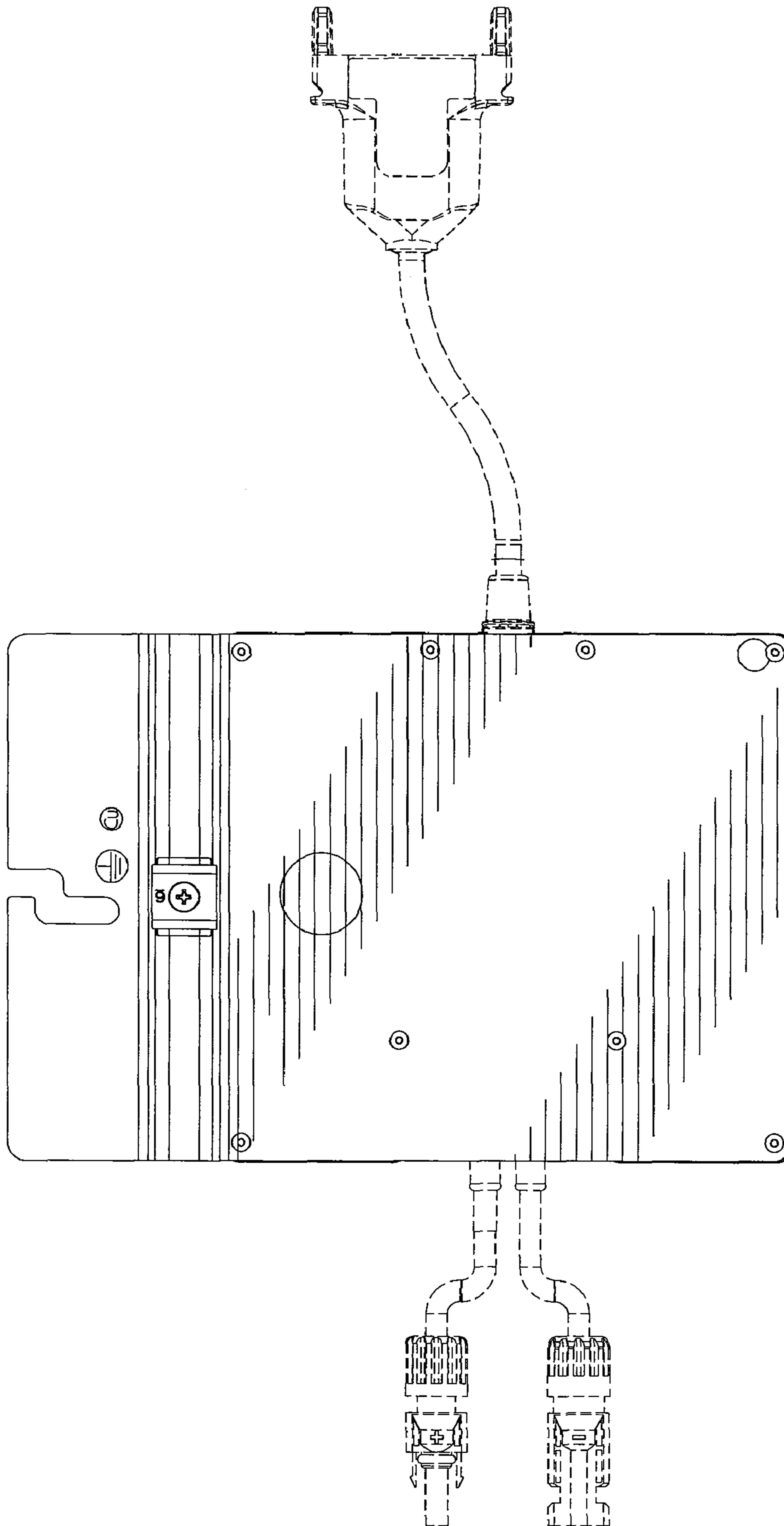


FIG. 1

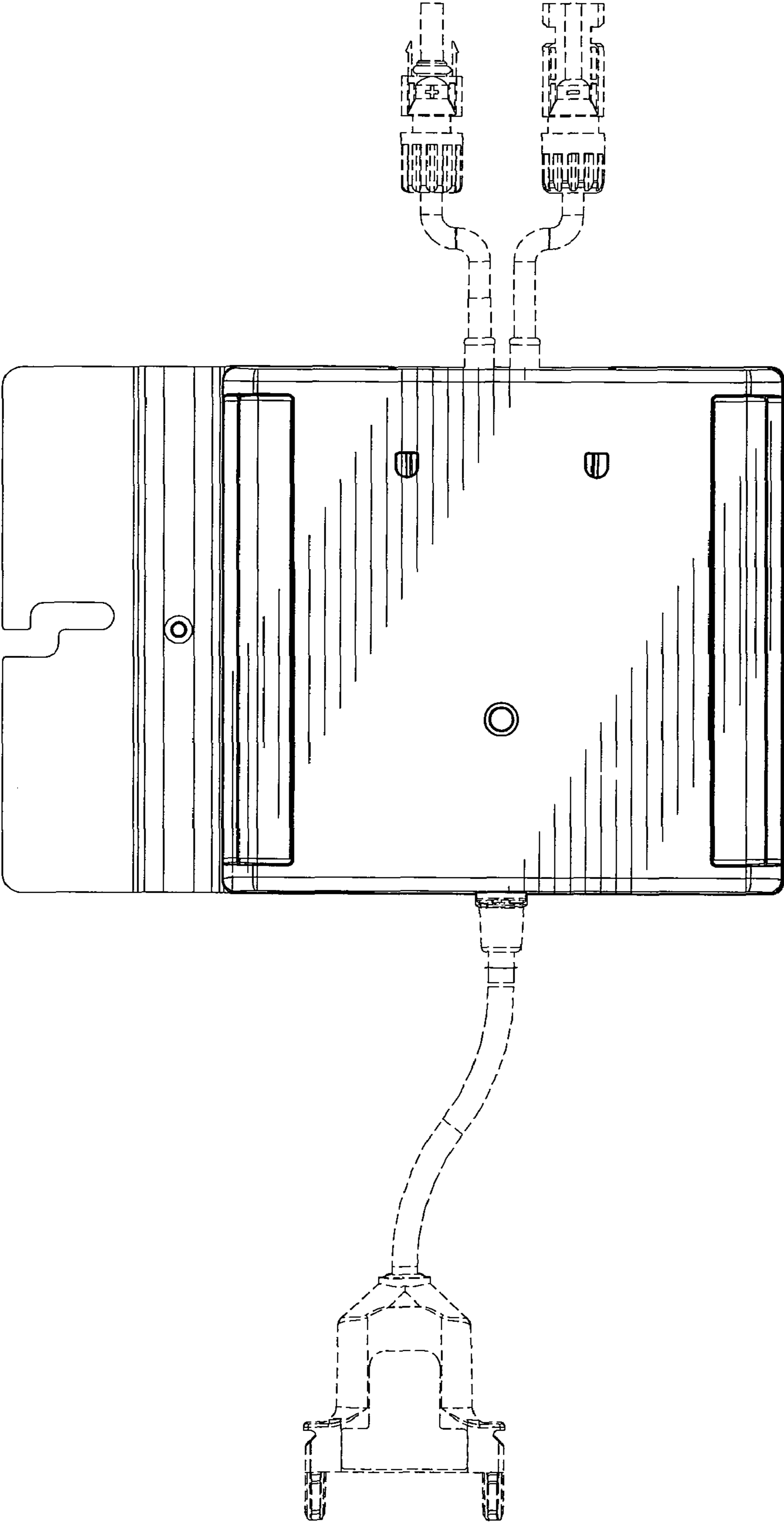


FIG. 2

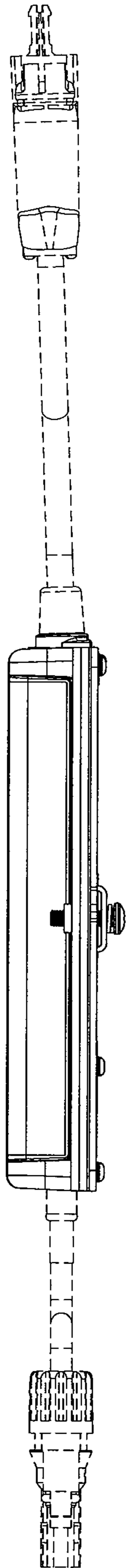


FIG. 3



FIG. 4

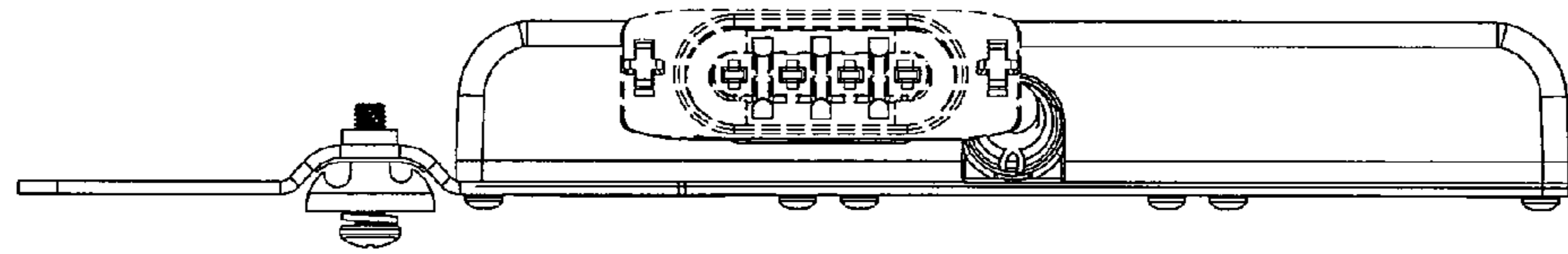


FIG. 6

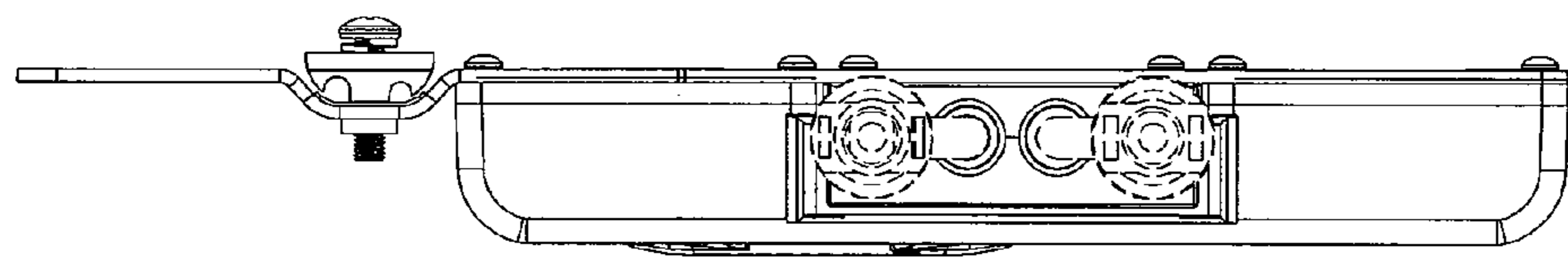


FIG. 5

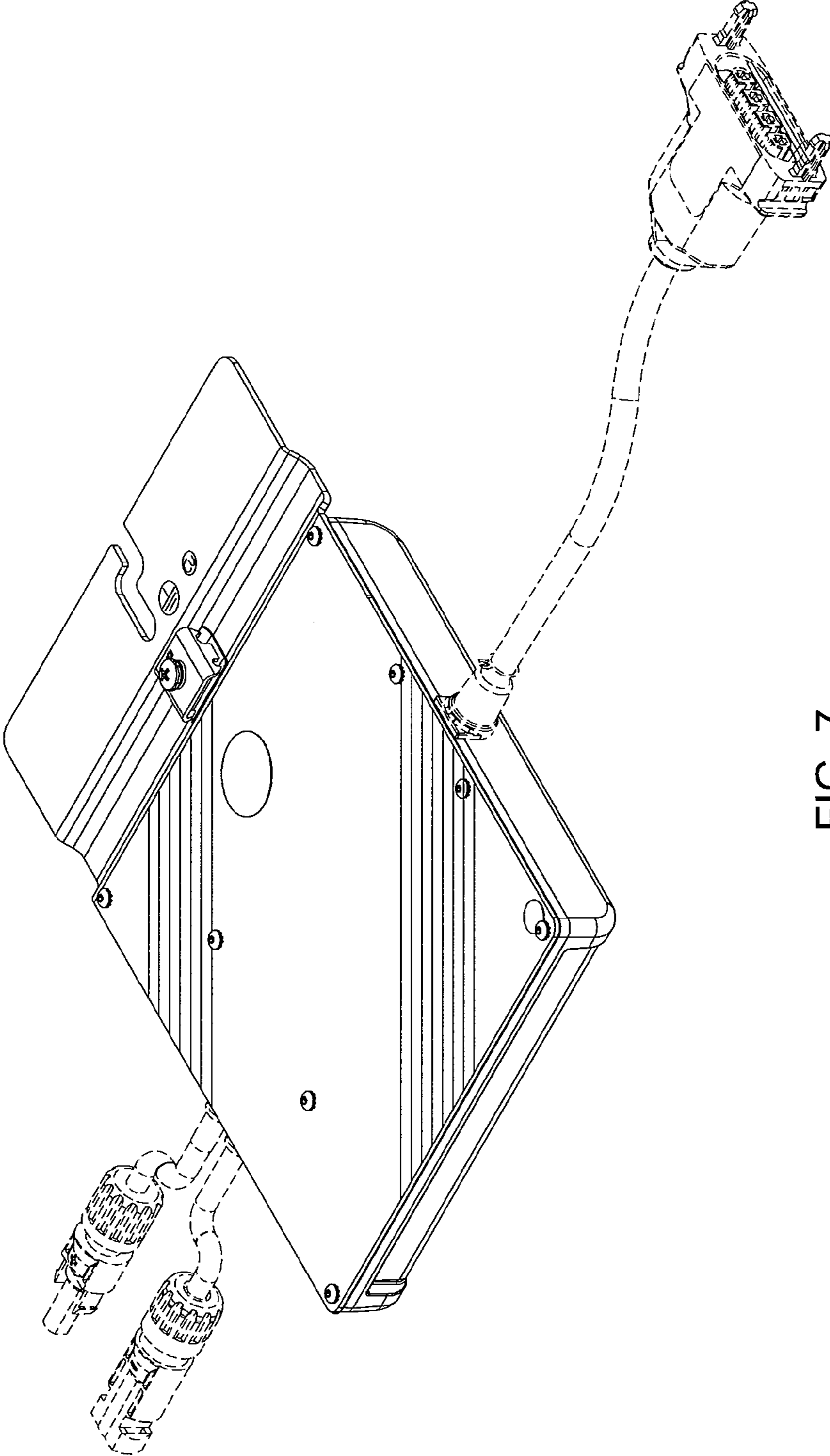


FIG. 7