



US00D673112S

(12) **United States Design Patent**
Zhang

(10) **Patent No.:** **US D673,112 S**

(45) **Date of Patent:** **** Dec. 25, 2012**

(54) **CHARGING DEVICE**

(76) Inventor: **Yu Long Zhang**, Brooklyn, NY (US)

(**) Term: **14 Years**

(21) Appl. No.: **29/426,702**

(22) Filed: **Jul. 10, 2012**

(51) **LOC (9) Cl.** **13-02**

(52) **U.S. Cl.** **D13/108**

(58) **Field of Classification Search** D13/107-108,
D13/110, 118-119, 123, 133, 137.1, 138.1,
D13/138.2, 184, 199; 439/105, 166, 170-175,
439/218, 518, 692, 956; 320/107-115; 307/150,
307/151

See application file for complete search history.

D642,524	S	*	8/2011	Fitch et al.	D13/110
D653,208	S	*	1/2012	Au	D13/108
D653,615	S	*	2/2012	Au	D13/108
D655,243	S	*	3/2012	Au	D13/108
D663,267	S	*	7/2012	Kim et al.	D13/110
D664,093	S	*	7/2012	Andre et al.	D13/138.1
2010/0117597	A1	*	5/2010	Wang	320/111

* cited by examiner

Primary Examiner — Rosemary K Tarcza

(74) *Attorney, Agent, or Firm* — Lambert & Associates;
Gary E. Lambert; David J. Connaughton, Jr.

(57) **CLAIM**

The ornamental design for a charging device, as shown and described.

(56) **References Cited**

U.S. PATENT DOCUMENTS

D431,020	S	*	9/2000	Harjunpaa et al.	D13/107
D601,500	S	*	10/2009	Green et al.	D13/110
D602,430	S	*	10/2009	Green et al.	D13/110
D610,993	S	*	3/2010	Fahrendorff et al.	D13/138.1
D617,275	S	*	6/2010	Fahrendorff et al.	D13/138.1
D623,136	S	*	9/2010	Andre et al.	D13/138.1
D627,728	S	*	11/2010	Smith et al.	D13/138.1
D627,729	S	*	11/2010	Smith et al.	D13/138.1
D638,357	S	*	5/2011	Sasada et al.	D13/110
D639,238	S	*	6/2011	Serrano	D13/110

DESCRIPTION

FIG. 1 is a front perspective view of the charging device, which embodies my design;

FIG. 2 is a left side view of the charging device;

FIG. 3 is a right side view of the charging device;

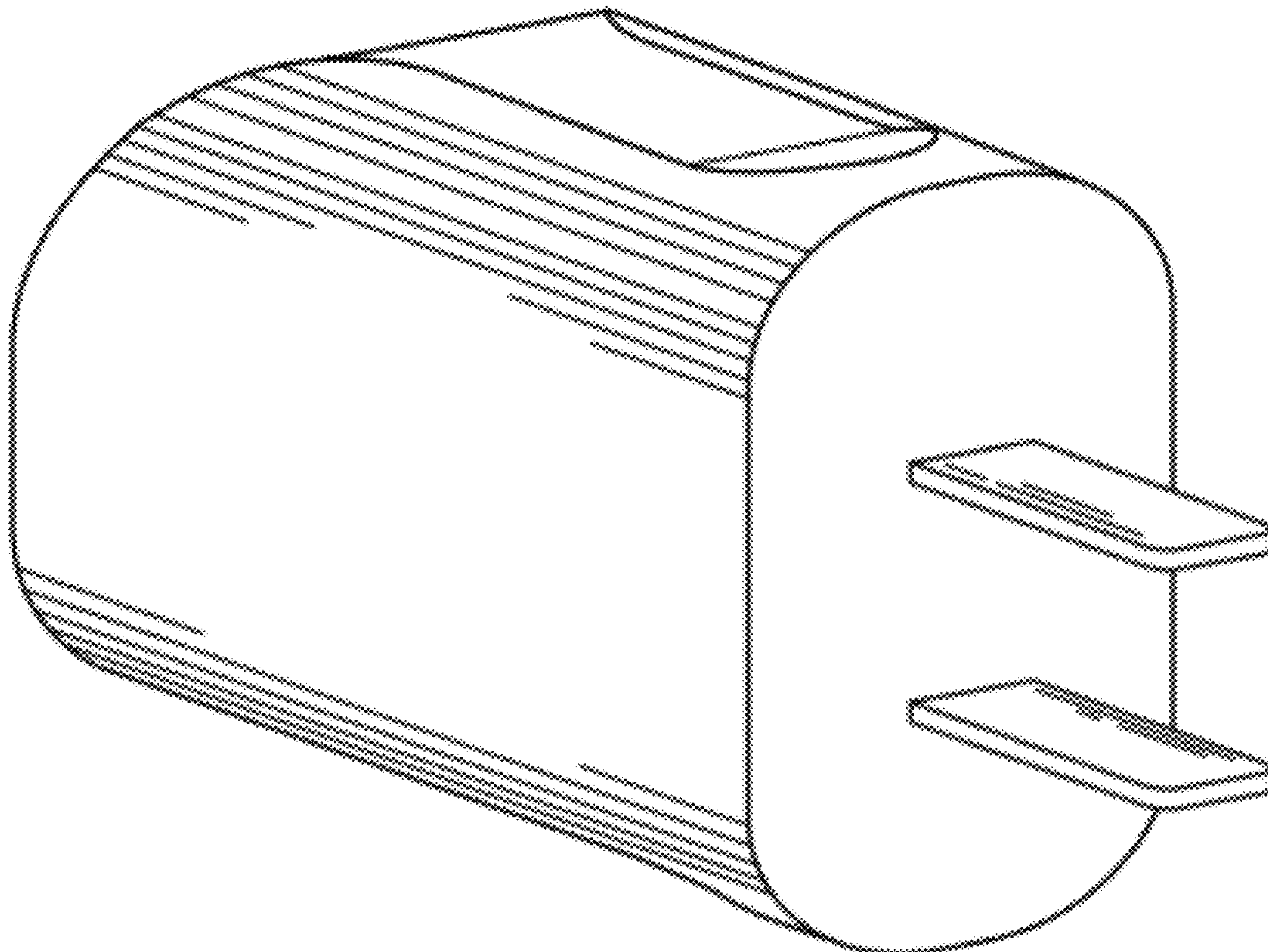
FIG. 4 is a rear elevation view of the charging device;

FIG. 5 is a front elevation view of the charging device;

FIG. 6 is a bottom elevation view of the charging device; and,

FIG. 7 is a top elevation view of the charging device.

1 Claim, 2 Drawing Sheets



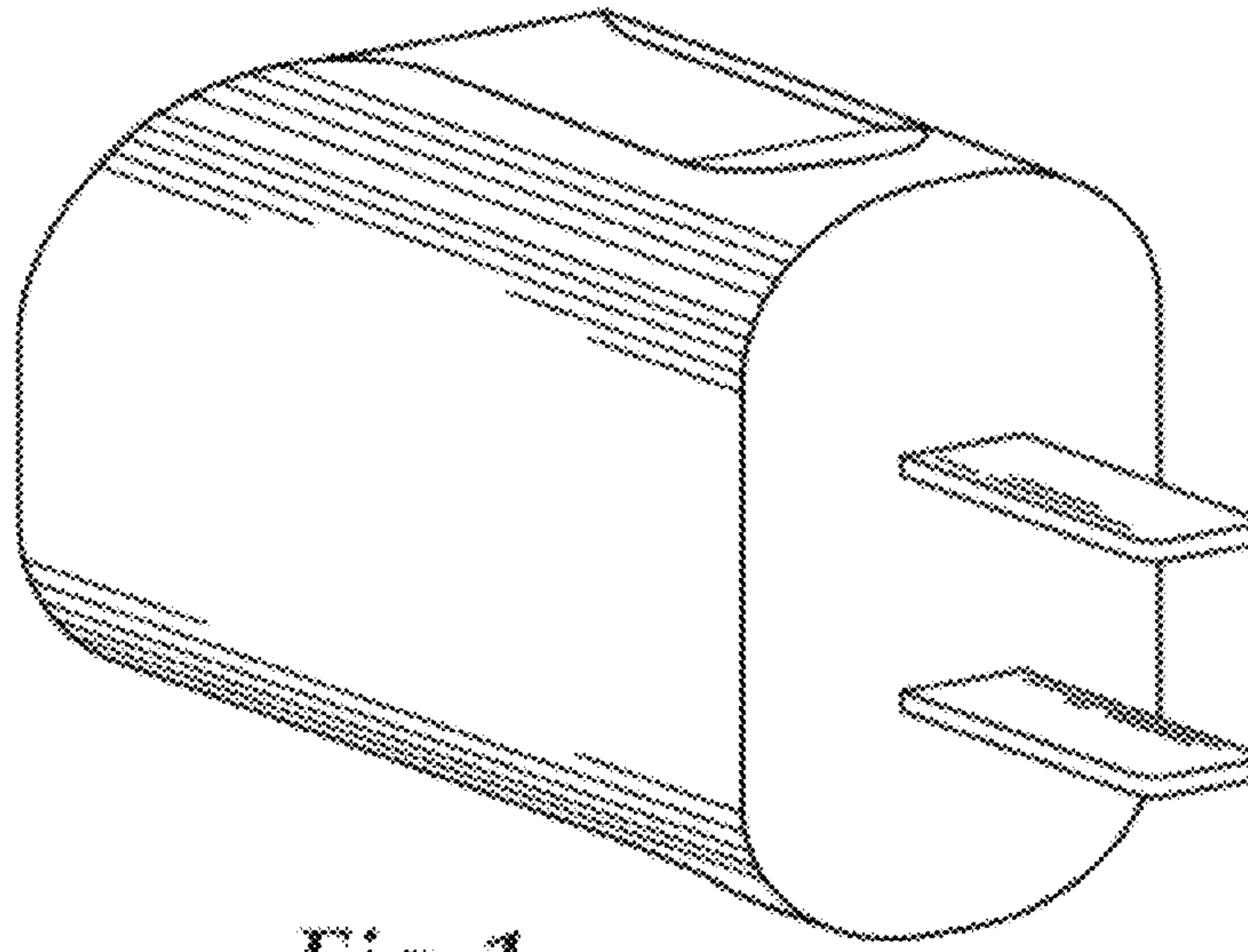


Fig. 1

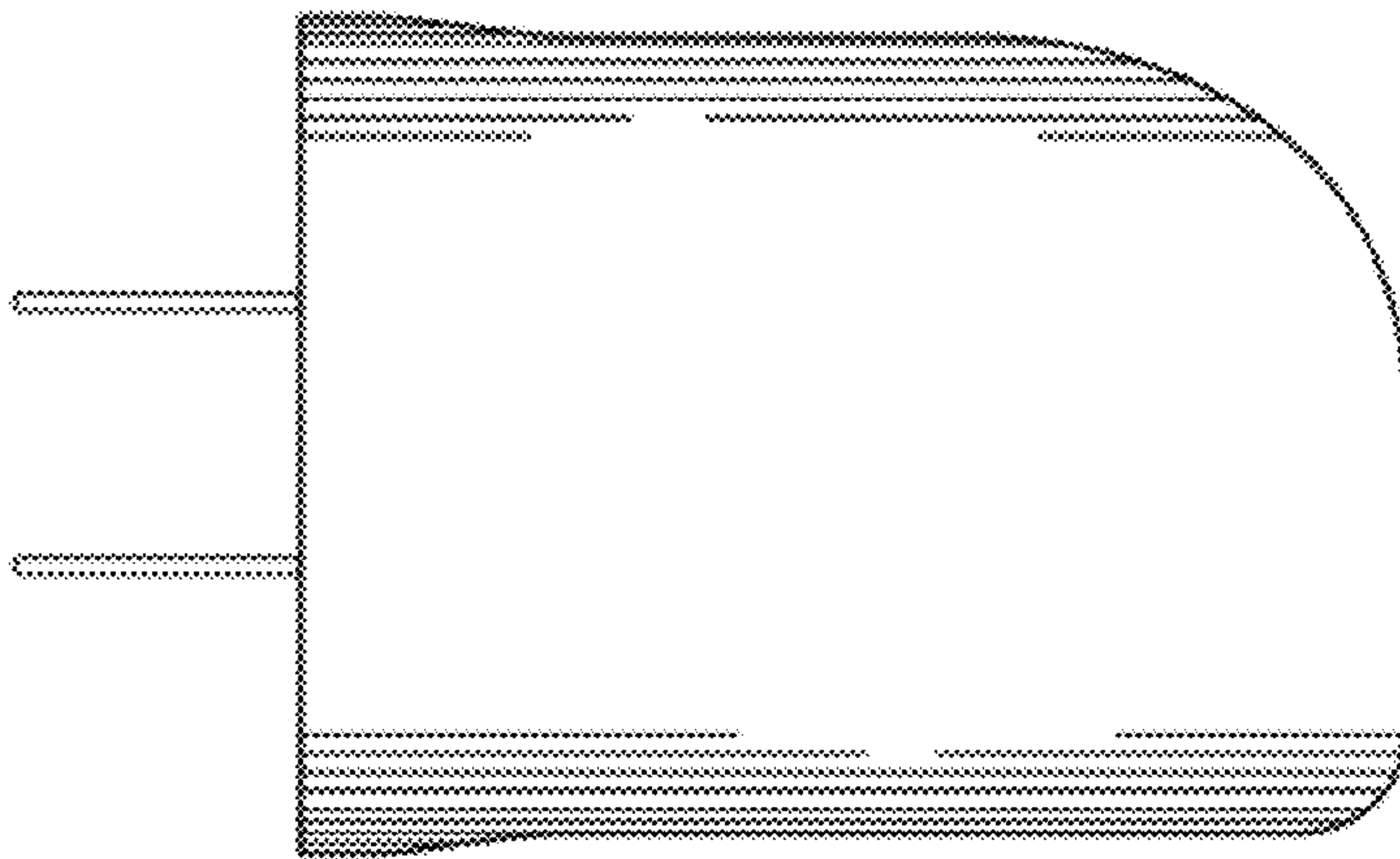


Fig. 2

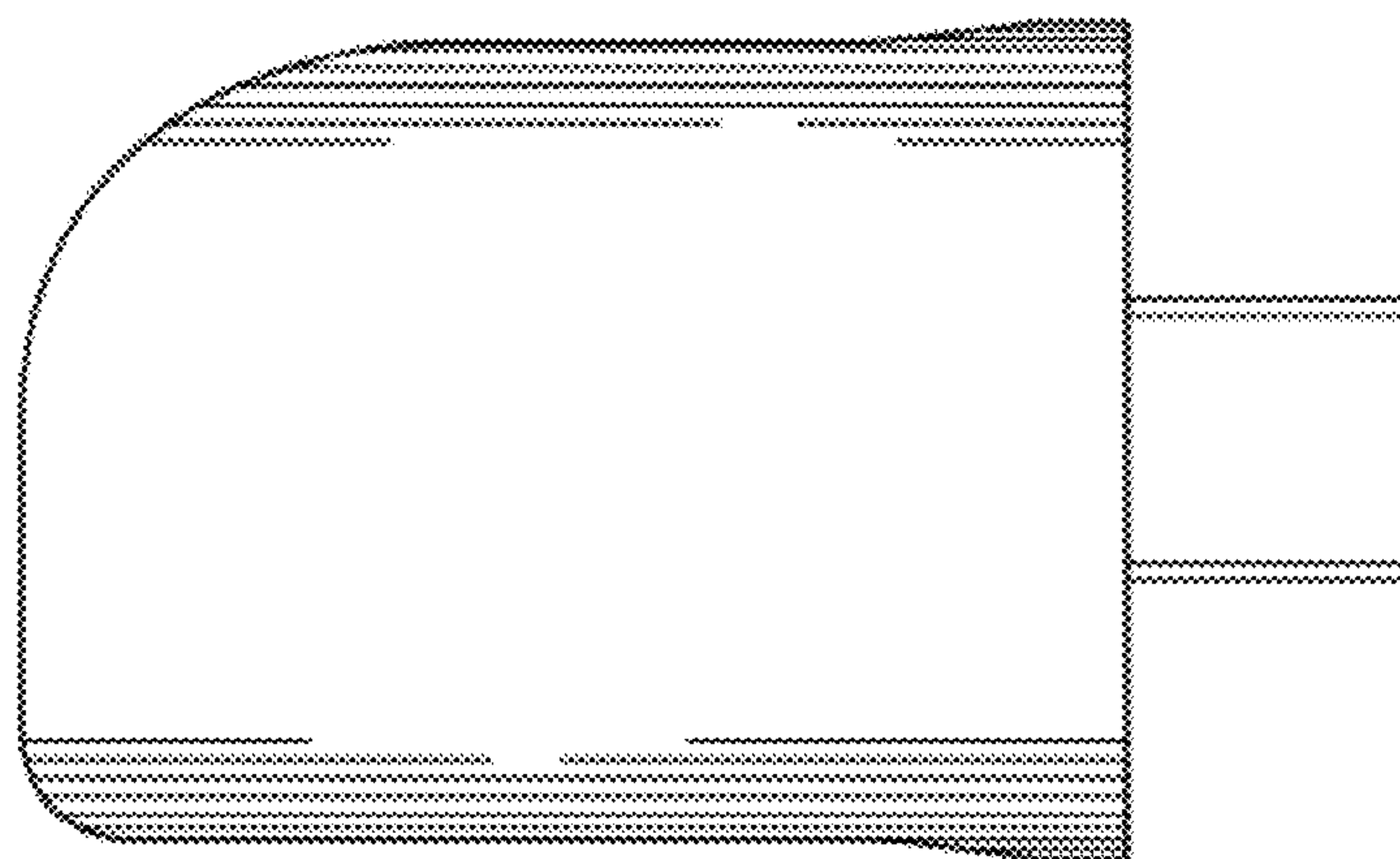


Fig. 3

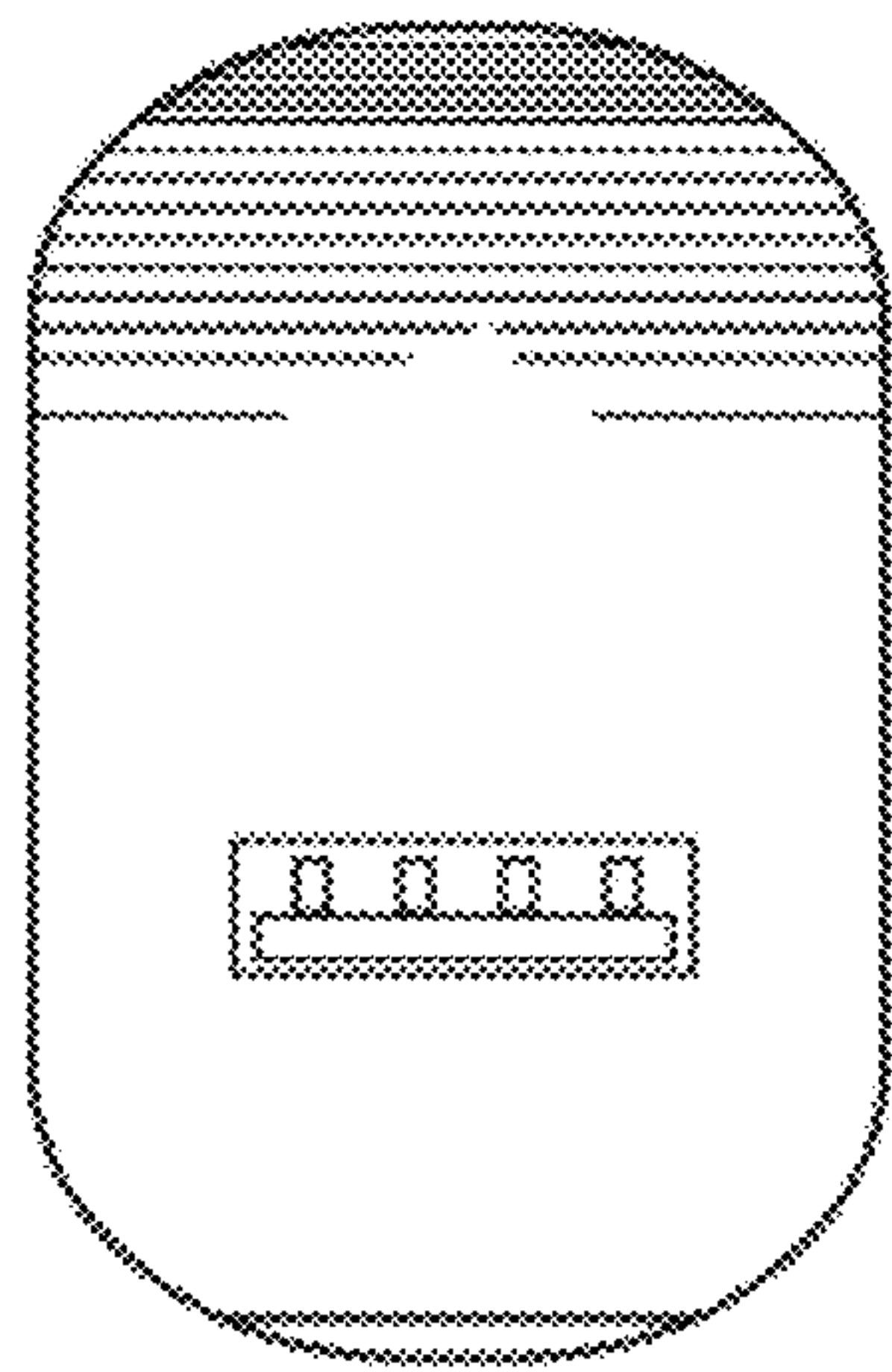


Fig. 4

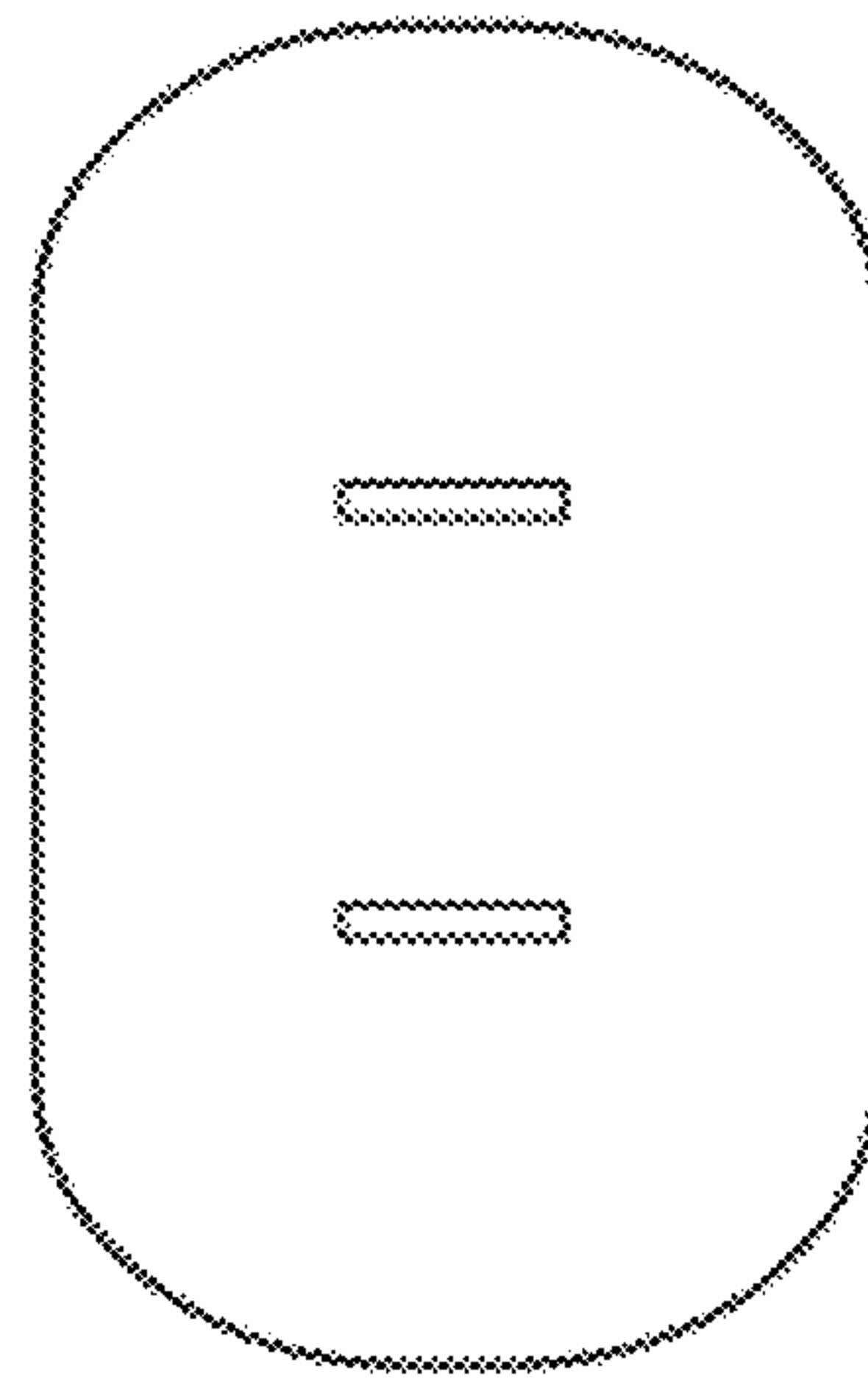


Fig. 5

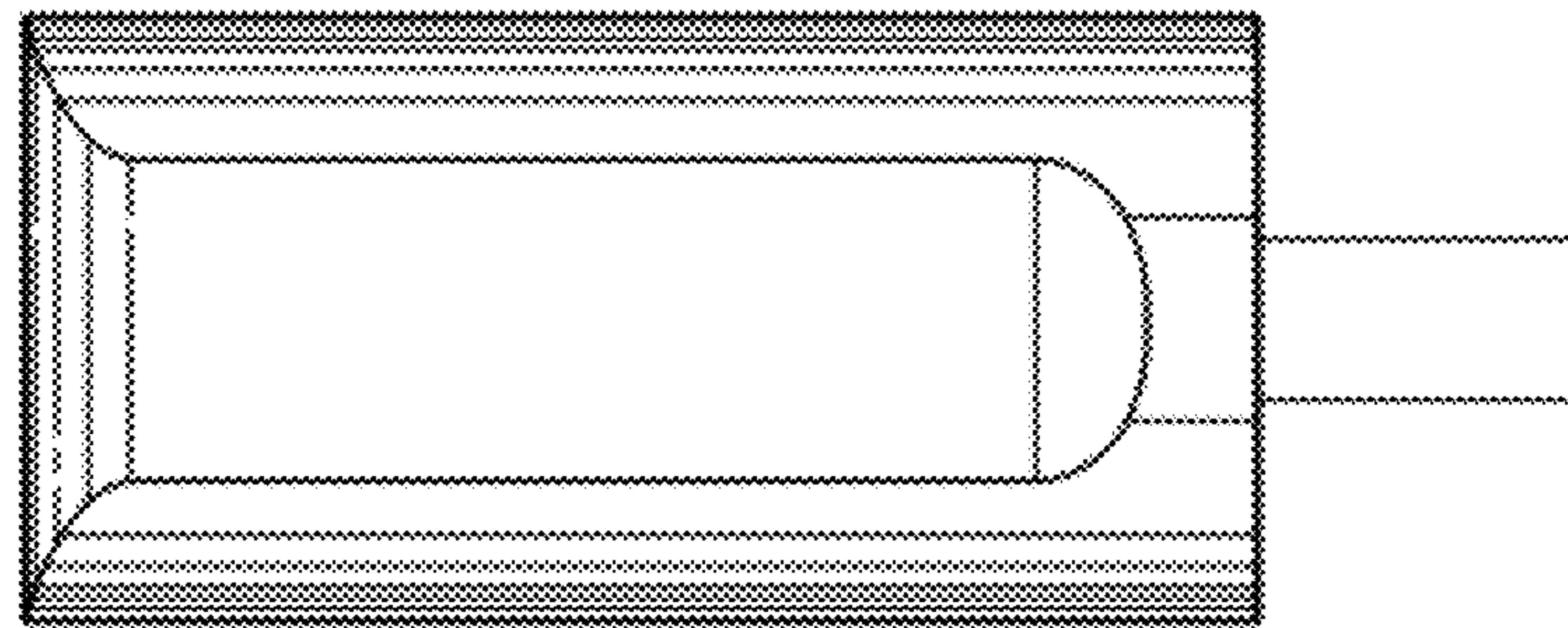


Fig. 6

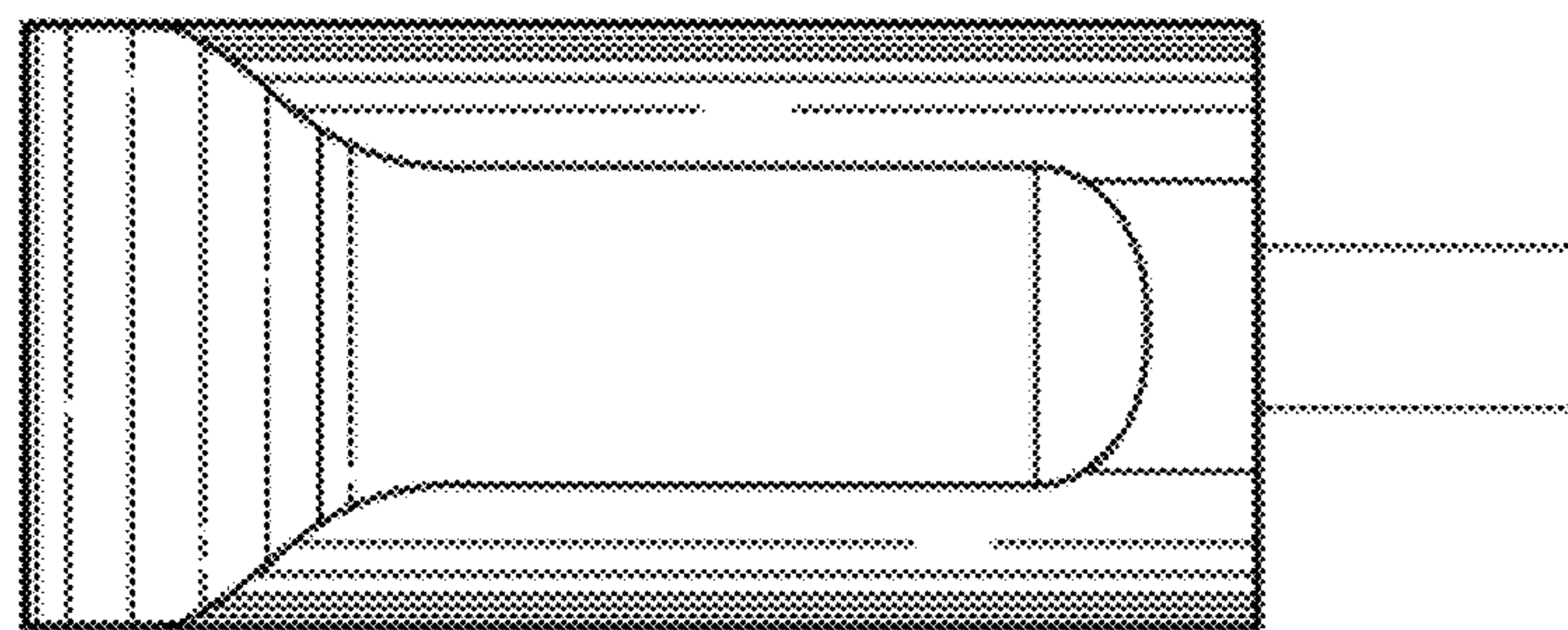


Fig. 7