

US00D673111S

(12) **United States Design Patent**
Lo et al.

(10) **Patent No.:** **US D673,111 S**
(45) **Date of Patent:** **** Dec. 25, 2012**

(54) **SYNCHRONIZATION AND CHARGE HUB**

(75) Inventors: **Ying Wai Lo**, Hong Kong (CN); **Hoi Chun Ng**, Hong Kong (CN)

(73) Assignee: **Stycom Limited**, Hong Kong Sar (CN)

(**) Term: **14 Years**

(21) Appl. No.: **29/419,155**

(22) Filed: **Apr. 25, 2012**

(30) **Foreign Application Priority Data**

Oct. 27, 2011 (CN) 2011 3 0386726

(51) **LOC (9) Cl.** **13-02**

(52) **U.S. Cl.** **D13/108; D13/147**

(58) **Field of Classification Search** D13/107-110,
D13/118-119, 133, 146-147, 154, 184, 199;
D14/251, 253, 432-434, 480.1-480.7, 411,
D14/435.1, 436, 484.1, 240; 320/107-115;
710/300, 301; 439/447, 607.01-607.05,
439/638-640, 649, 655, 660

See application file for complete search history.

(56) **References Cited**

U.S. PATENT DOCUMENTS

D405,049 S * 2/1999 Huang et al. D13/133
D449,275 S * 10/2001 Goto D13/147
D473,848 S * 4/2003 Zheng et al. D13/147

D513,605 S * 1/2006 Lin D13/133
D547,266 S * 7/2007 Wong D13/110
D583,820 S * 12/2008 O'Shea D14/434
D586,752 S * 2/2009 Diamond et al. D13/147
D587,206 S * 2/2009 Wu et al. D13/146
D591,750 S * 5/2009 Wang D14/434
D635,930 S * 4/2011 Li et al. D13/147
D643,812 S * 8/2011 Kohlrausch D13/110
D644,169 S * 8/2011 Kohlrausch D13/110
D644,171 S * 8/2011 Kohlrausch D13/110
D661,647 S * 6/2012 Chen D13/108
D665,750 S * 8/2012 Li et al. D13/146
2002/0195993 A1 * 12/2002 Chiu 320/114

* cited by examiner

Primary Examiner — Rosemary K Tarcza

(74) *Attorney, Agent, or Firm* — Clise, Billion & Cyr, P.A.

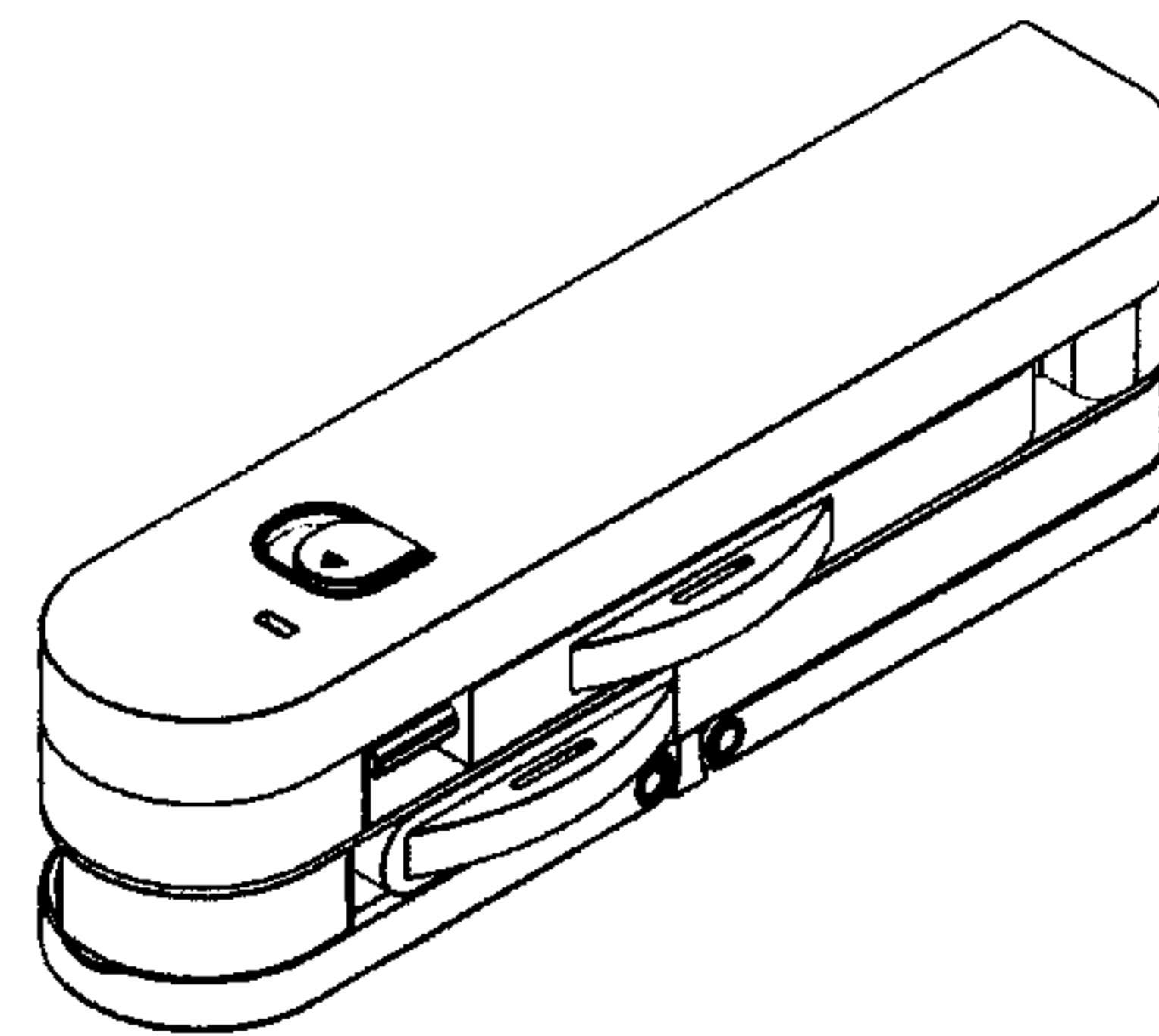
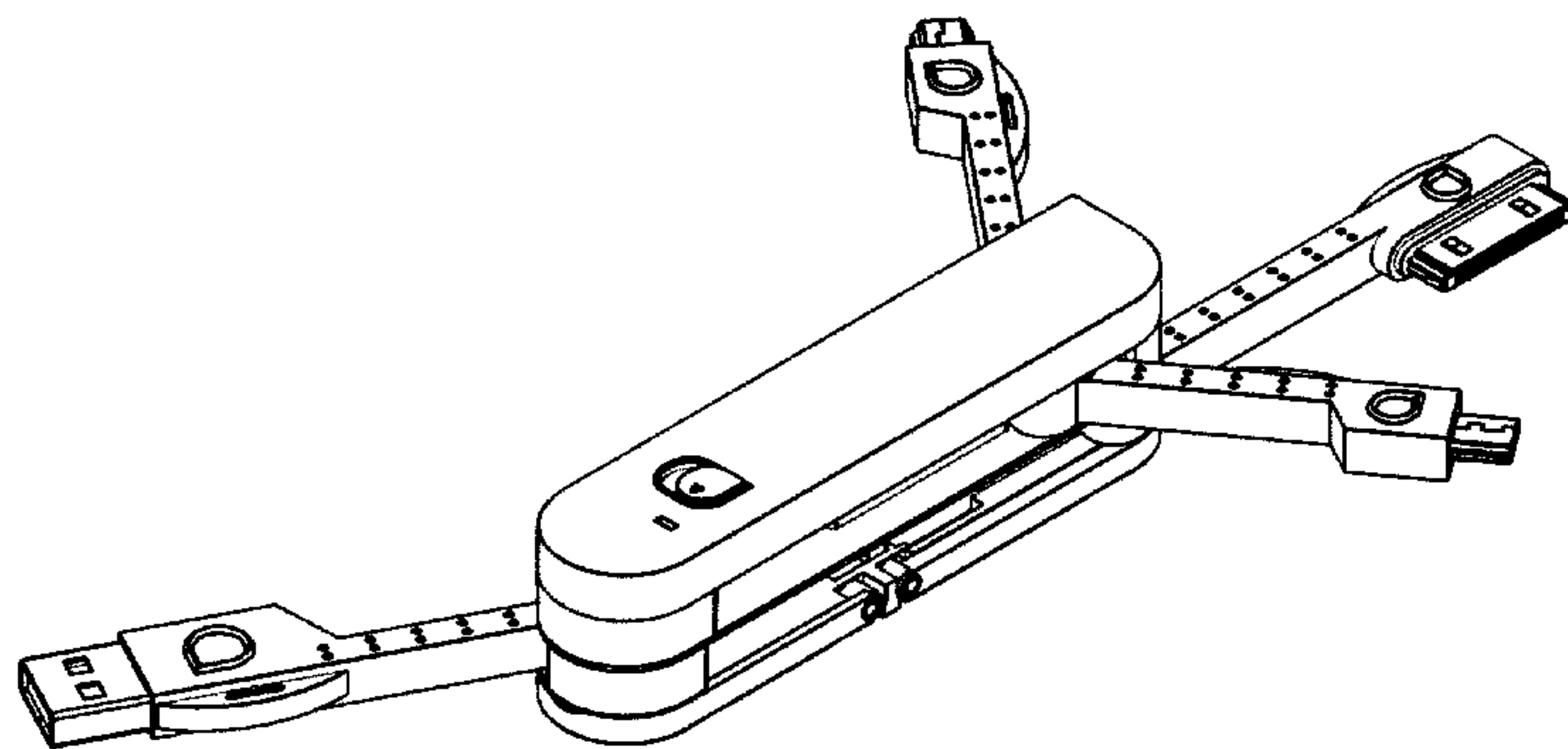
(57) **CLAIM**

The ornamental design for a synchronization and charge hub, as shown and described.

DESCRIPTION

FIG. 1 is a top view of a synchronization and charge hub showing the new design, in a first embodiment;
FIG. 2 is a rear view thereof;
FIG. 3 is a bottom view thereof;
FIG. 4 is a front view thereof;
FIG. 5 is left side view thereof;
FIG. 6 is an open perspective view thereof;
FIG. 7 is a closed perspective view thereof; and,
FIG. 8 is right side view thereof.

1 Claim, 8 Drawing Sheets



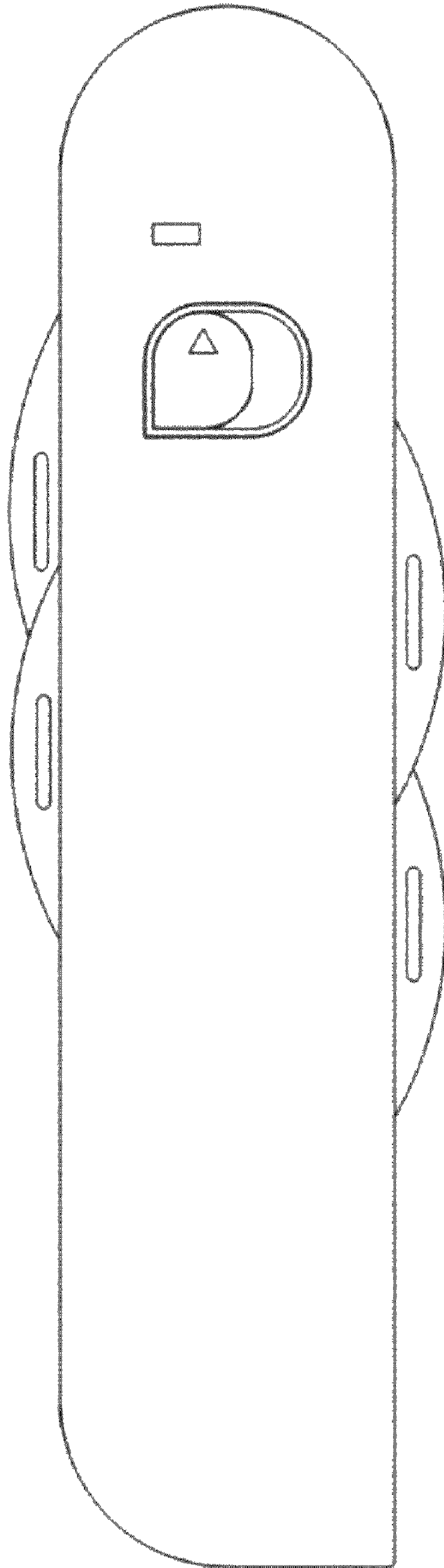


FIG. 1

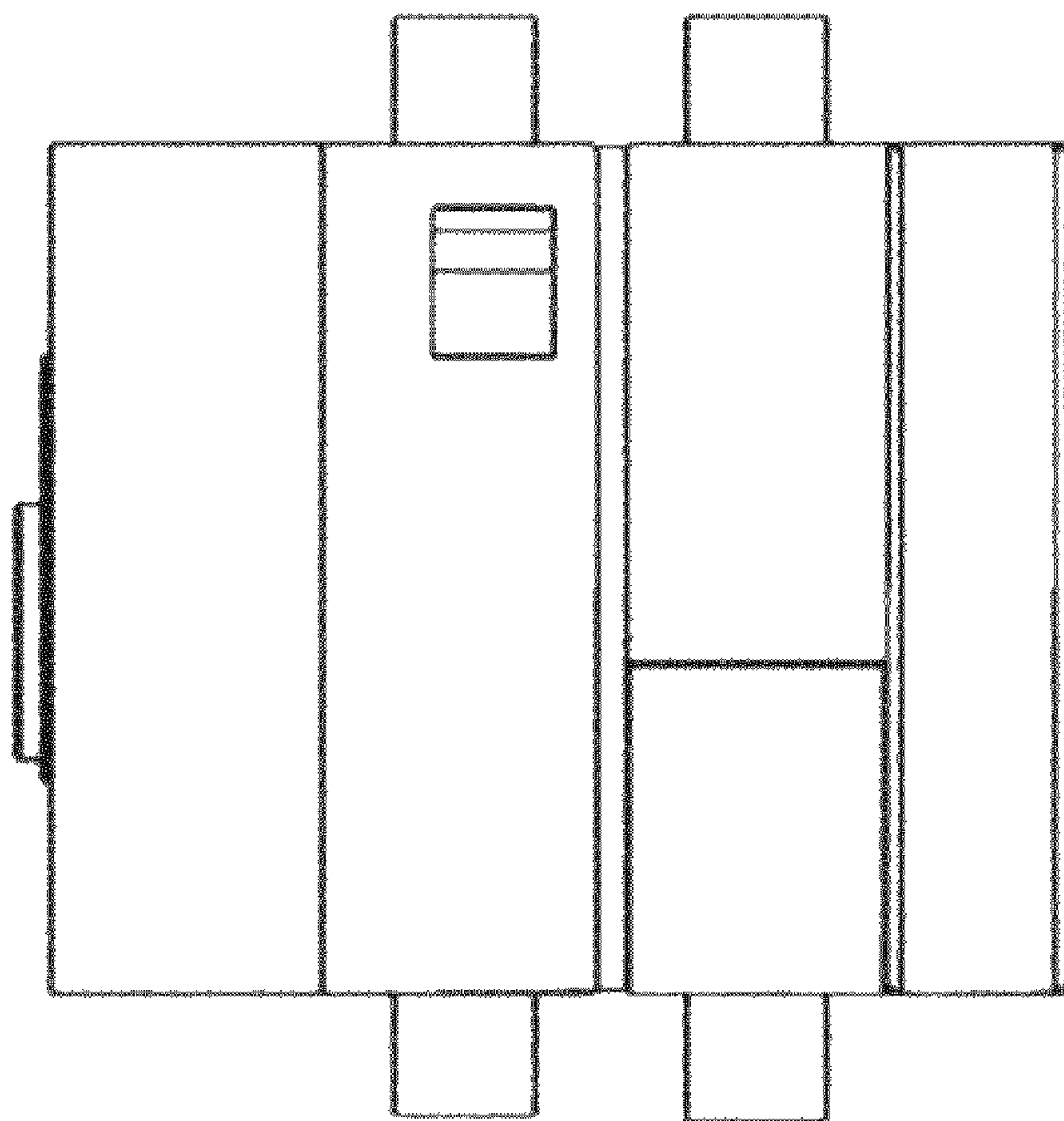


FIG. 2

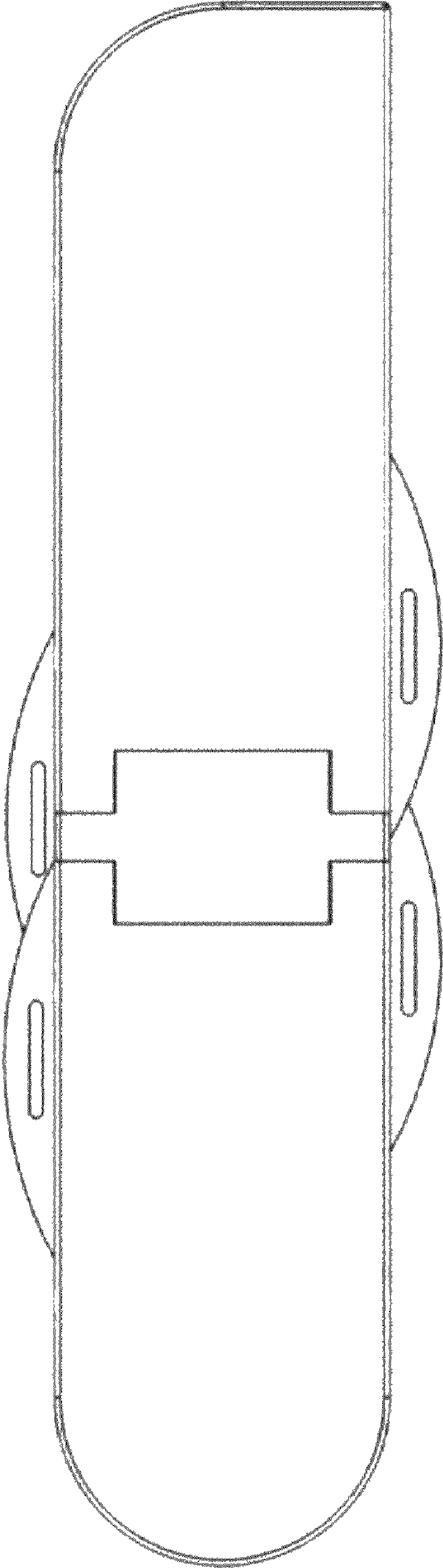


FIG. 3

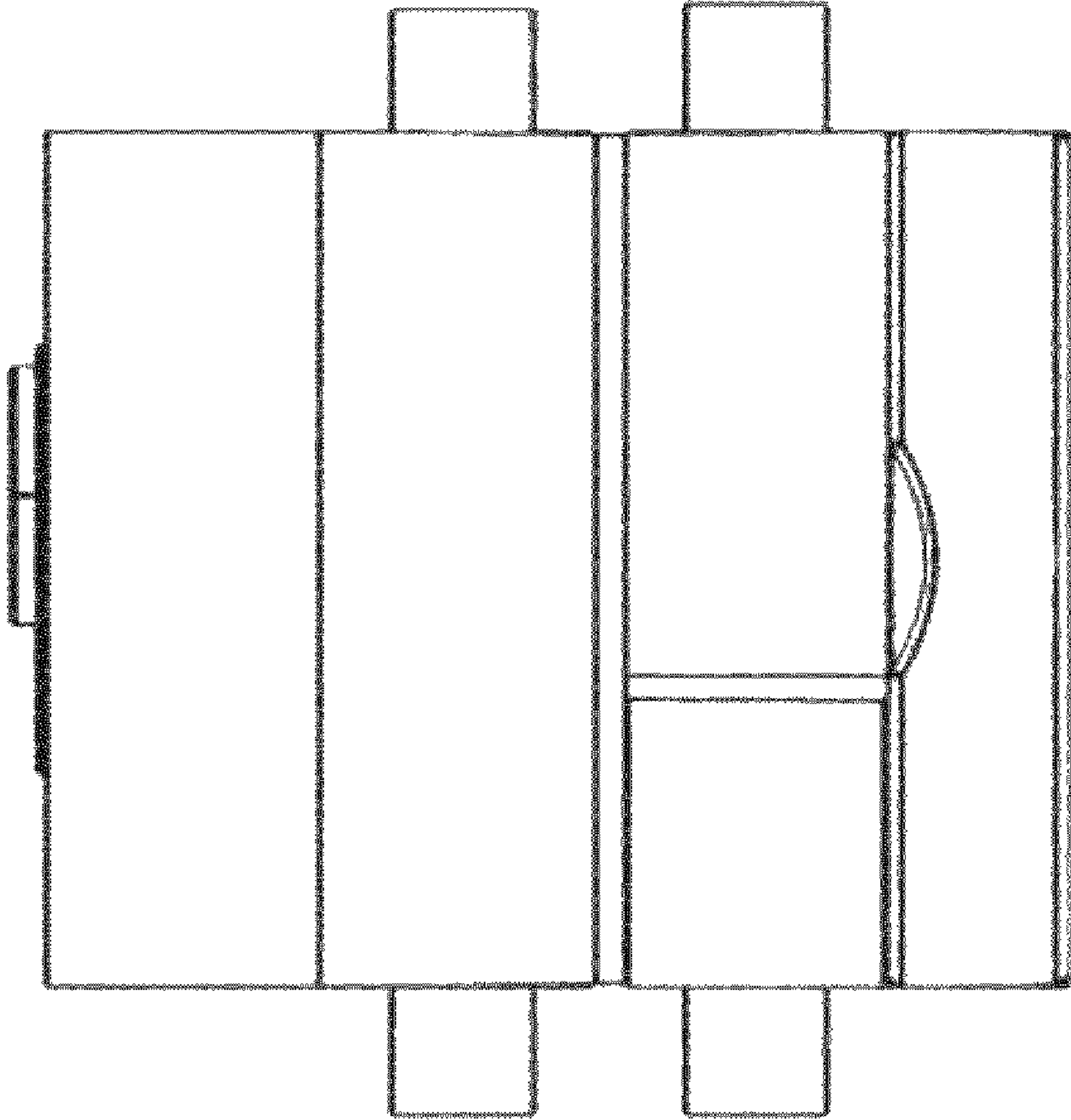


FIG. 4

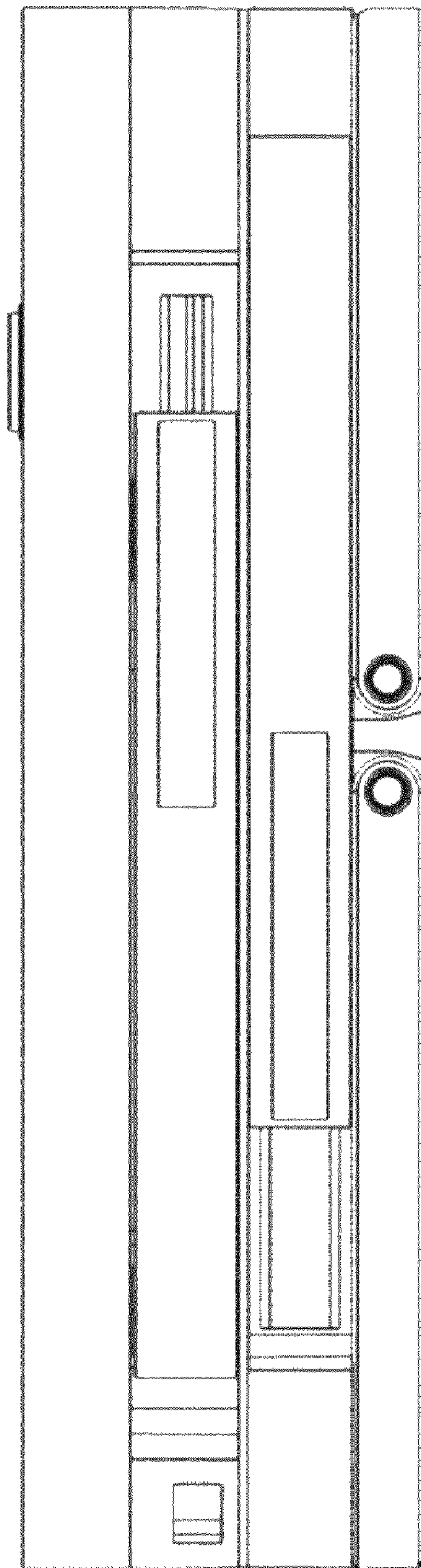


FIG. 5

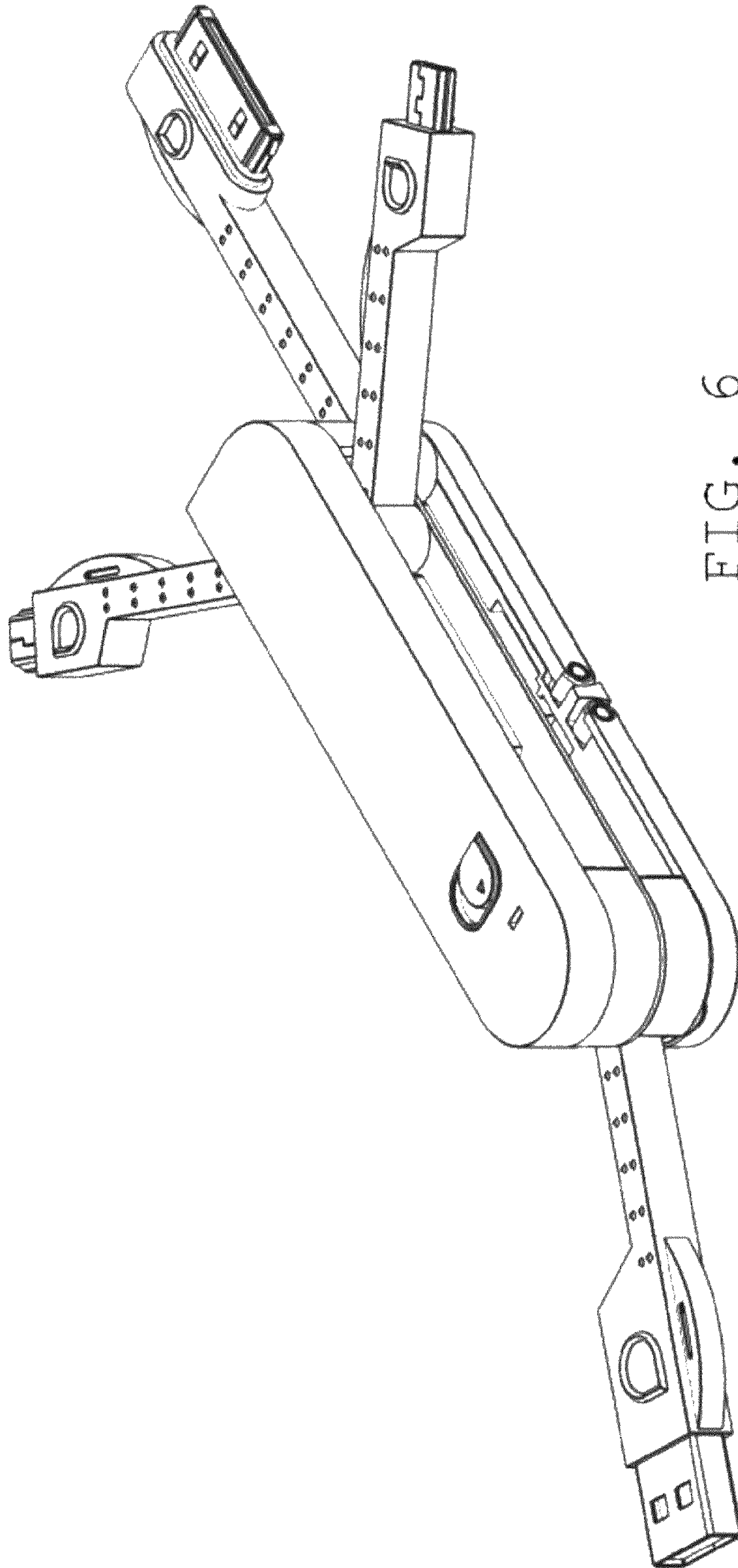


FIG. 6

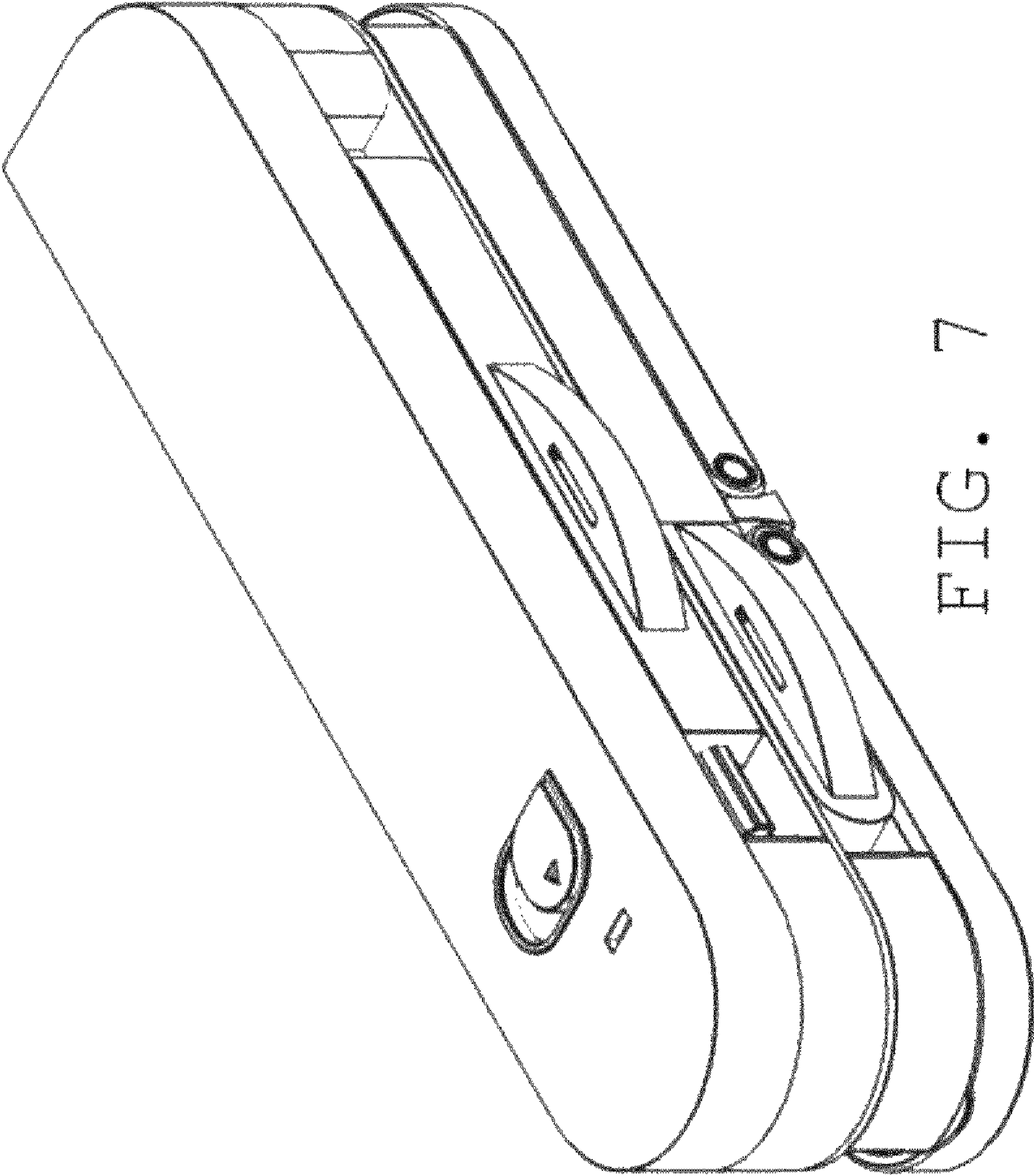


FIG. 7

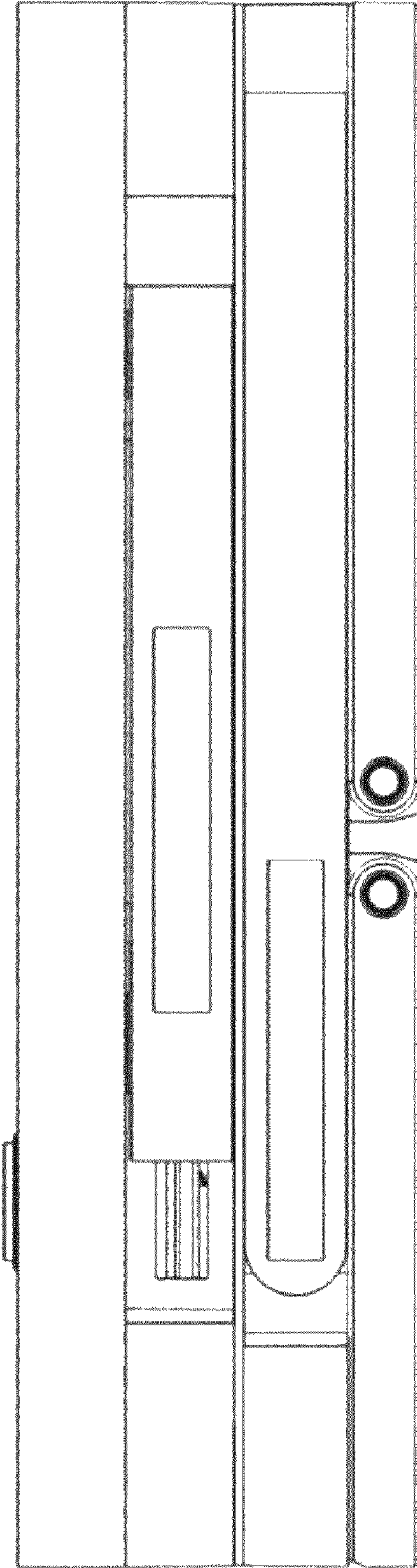


FIG. 8