

US00D673110S

(12) **United States Design Patent**  
**Sasada et al.**

(10) **Patent No.:** **US D673,110 S**  
(45) **Date of Patent:** **\*\* Dec. 25, 2012**

(54) **ADAPTER FOR CHARGING**

(75) Inventors: **Motohiro Sasada**, Sumoto (JP); **Shinji Oda**, Kusatsu (JP)

(73) Assignee: **SANYO Electric Co., Ltd.**, Moriguchi-shi, Osaka (JP)

(\*\*) Term: **14 Years**

(21) Appl. No.: **29/413,490**

(22) Filed: **Feb. 16, 2012**

(30) **Foreign Application Priority Data**

Sep. 2, 2011 (JP) ..... 2011-019975

(51) **LOC (9) Cl.** ..... **13-02**

(52) **U.S. Cl.** ..... **D13/108**

(58) **Field of Classification Search** ..... D13/107-110, D13/118-119, 133, 147, 154, 184, 199; D14/251, D14/253, 432-434, 480.1-480.7, 411, 435.1, D14/436, 484.1, 240; 320/107-115; 710/300, 710/301; 439/447, 607.01-607.05  
See application file for complete search history.

(56) **References Cited**

U.S. PATENT DOCUMENTS

D367,261 S \* 2/1996 Hansen ..... D13/138.1  
D537,780 S \* 3/2007 Suckle ..... D13/133  
D566,044 S \* 4/2008 D'Arco et al. .... D13/133  
D591,678 S \* 5/2009 Whitley et al. .... D13/133

D628,537 S \* 12/2010 Nagata et al. .... D13/147  
D656,096 S \* 3/2012 Sasada et al. .... D13/108  
D659,093 S \* 5/2012 Schmid et al. .... D13/108

FOREIGN PATENT DOCUMENTS

JP 1423552 S 9/2011

\* cited by examiner

*Primary Examiner* — Rosemary K Tarcza

(74) *Attorney, Agent, or Firm* — Westerman, Hattori, Daniels & Adrian, LLP

(57) **CLAIM**

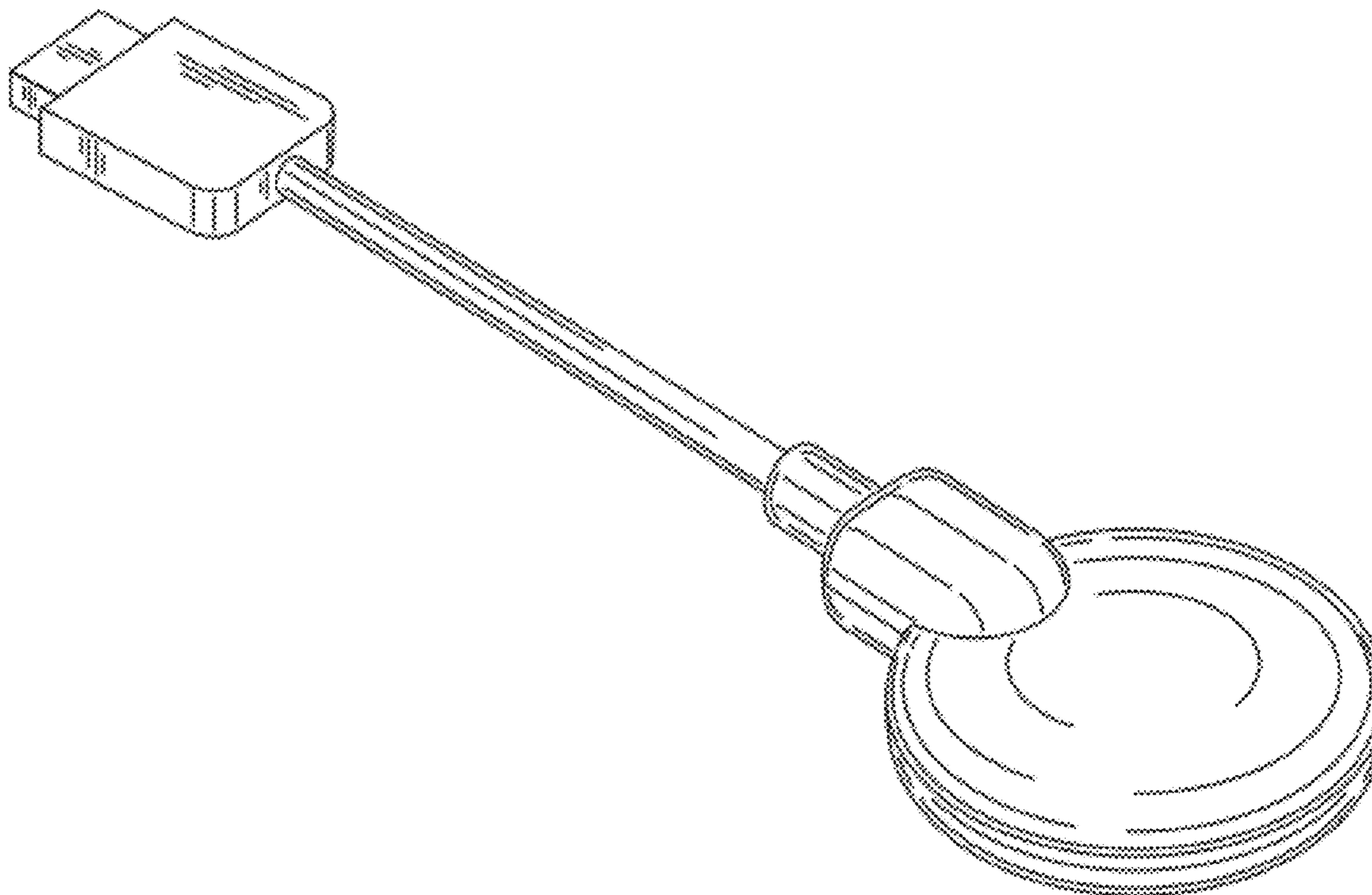
The ornamental design for an adapter for charging, as shown and described.

**DESCRIPTION**

FIG. 1 is a top left front perspective view of an adapter for charging, showing our new design;  
FIG. 2 is a bottom right rear perspective view thereof;  
FIG. 3 is a top plan view thereof;  
FIG. 4 is a bottom plan view thereof;  
FIG. 5 is a front elevational view thereof;  
FIG. 6 is a rear elevational view thereof;  
FIG. 7 is a right side elevational view thereof, the left side elevational view being a mirror image thereof; and,  
FIG. 8 is a perspective view showing the adapter for charging in use.

The broken lines illustrate environmental structure only and form no part of the claimed design.

**1 Claim, 7 Drawing Sheets**



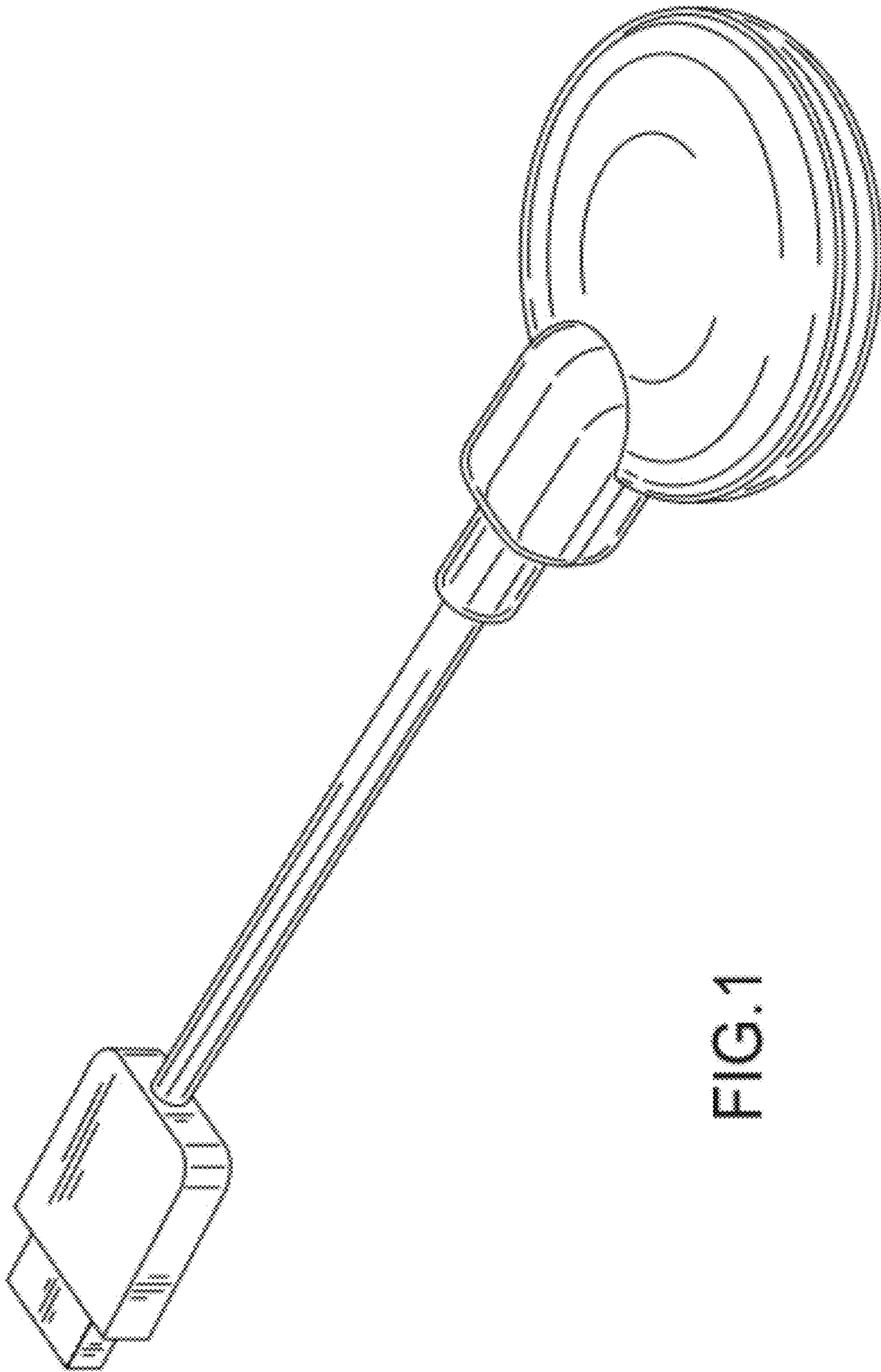


FIG. 1

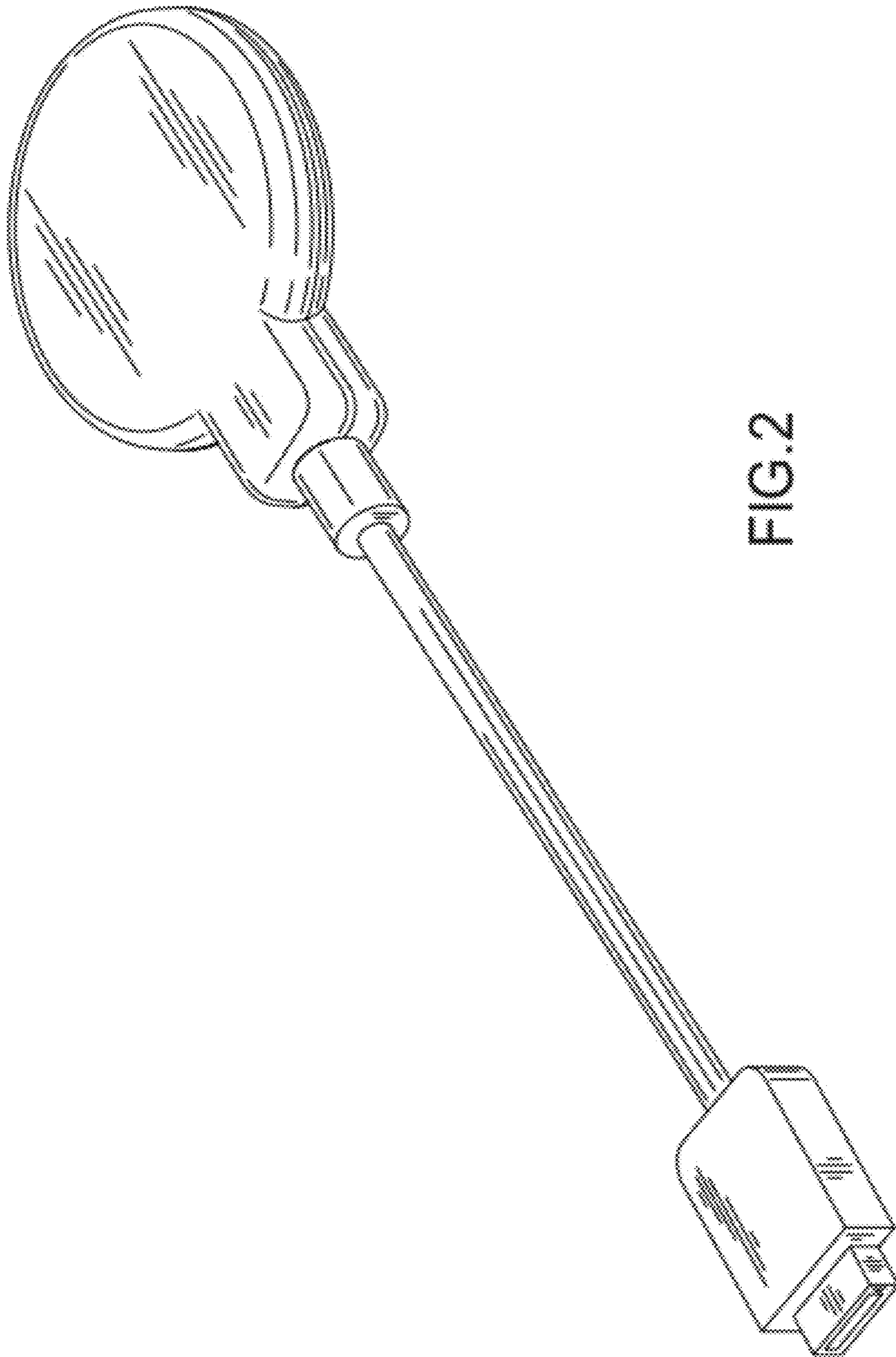


FIG.2

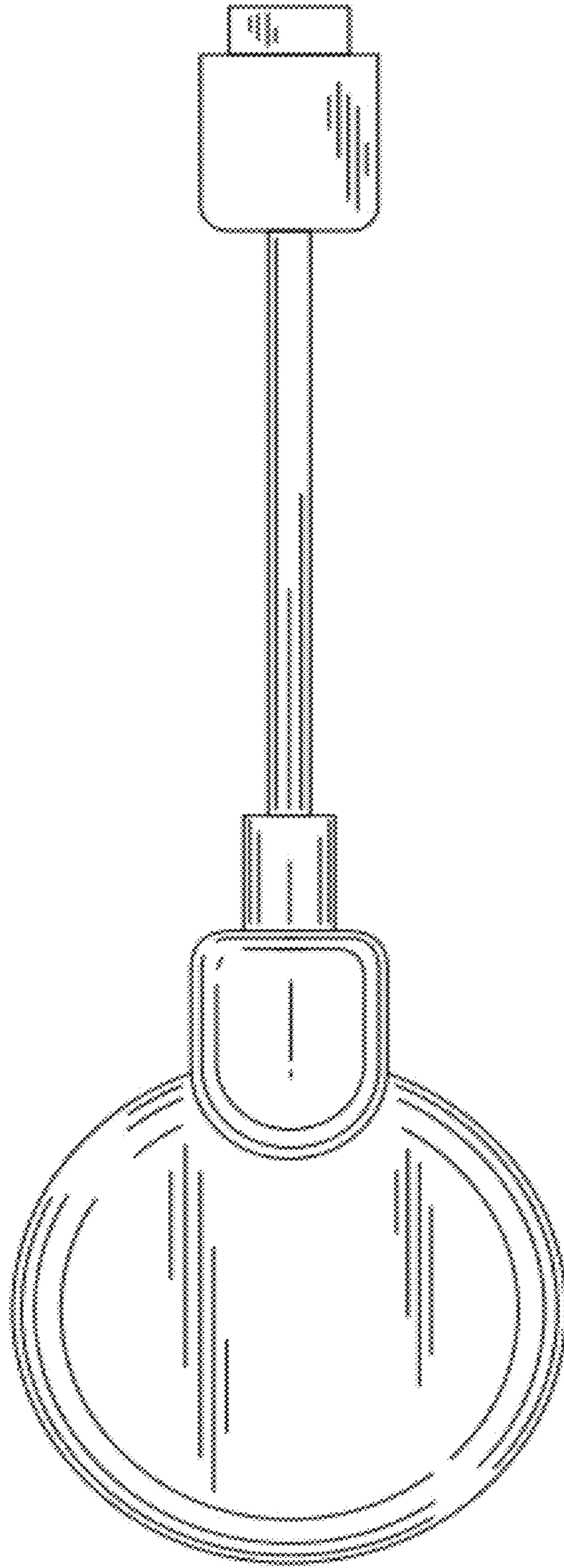


FIG. 3

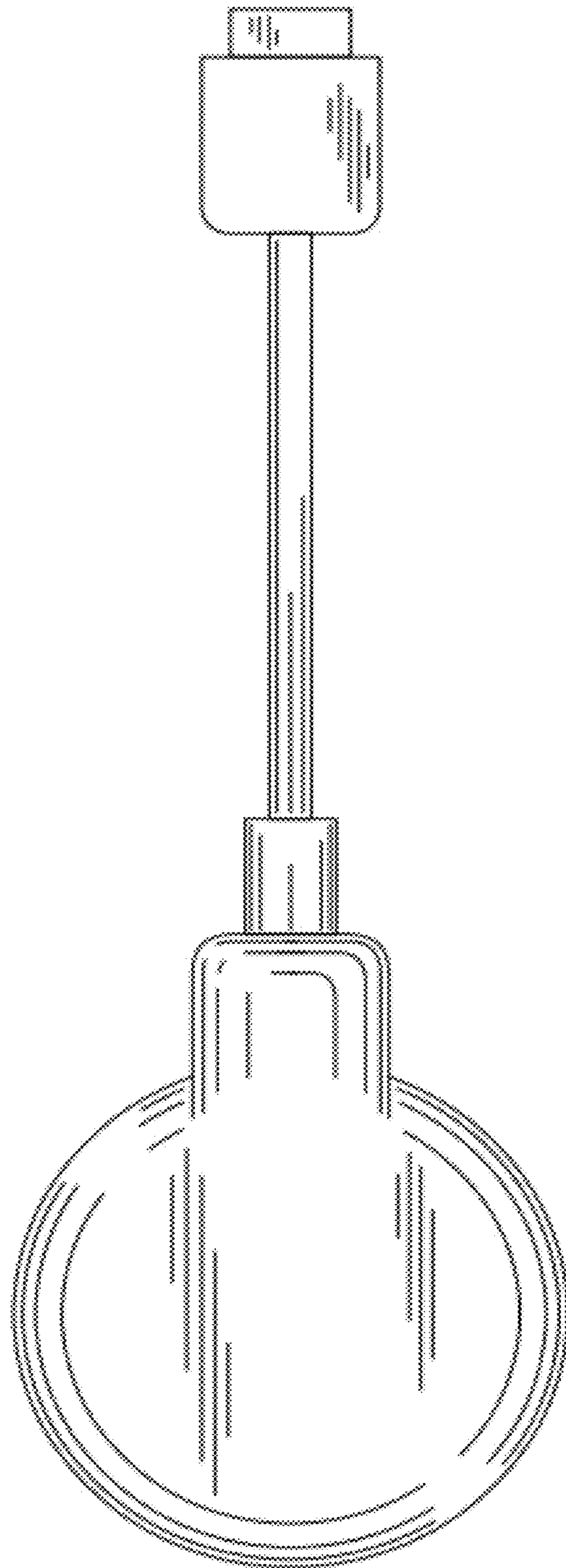


FIG. 4

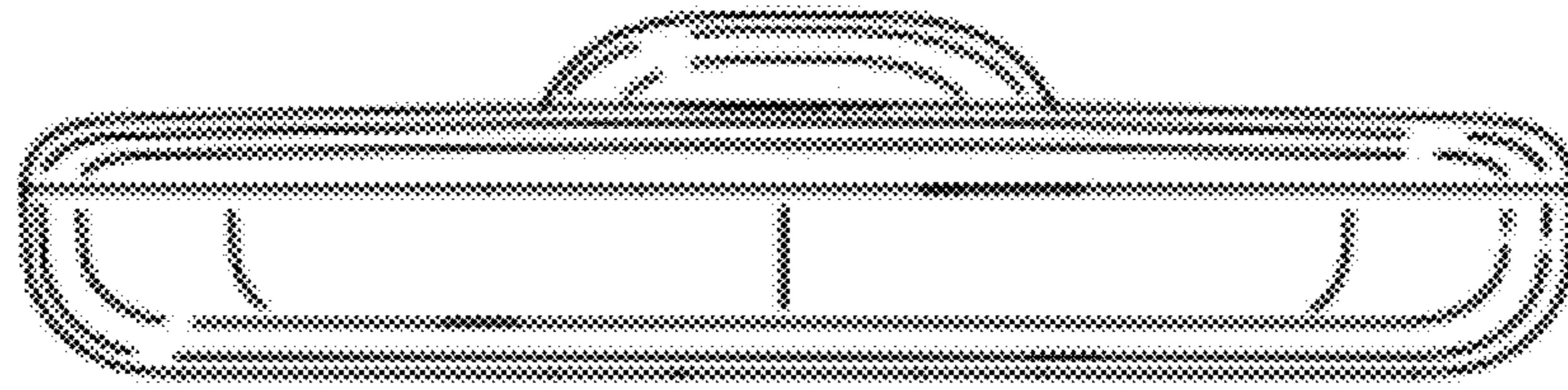


FIG. 5

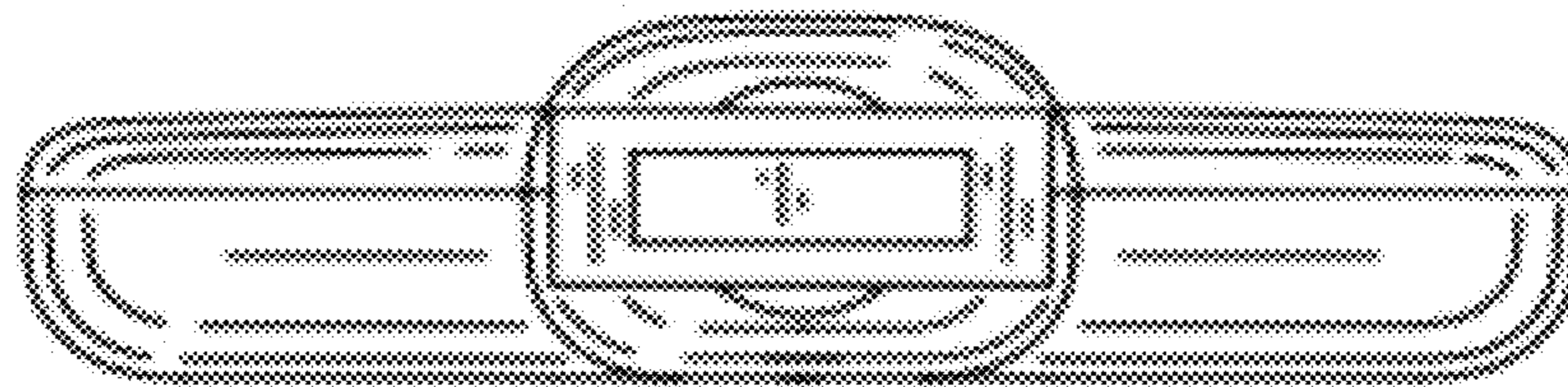


FIG. 6

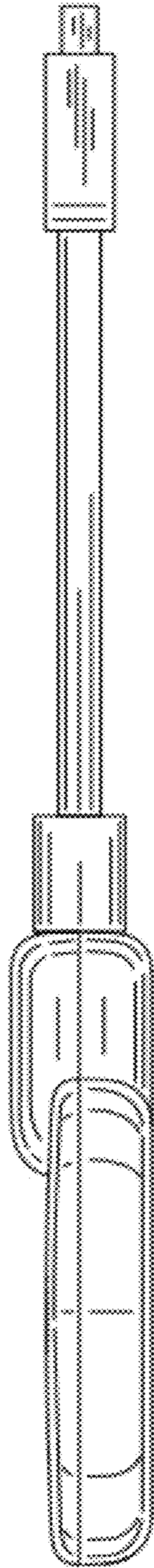


FIG. 7

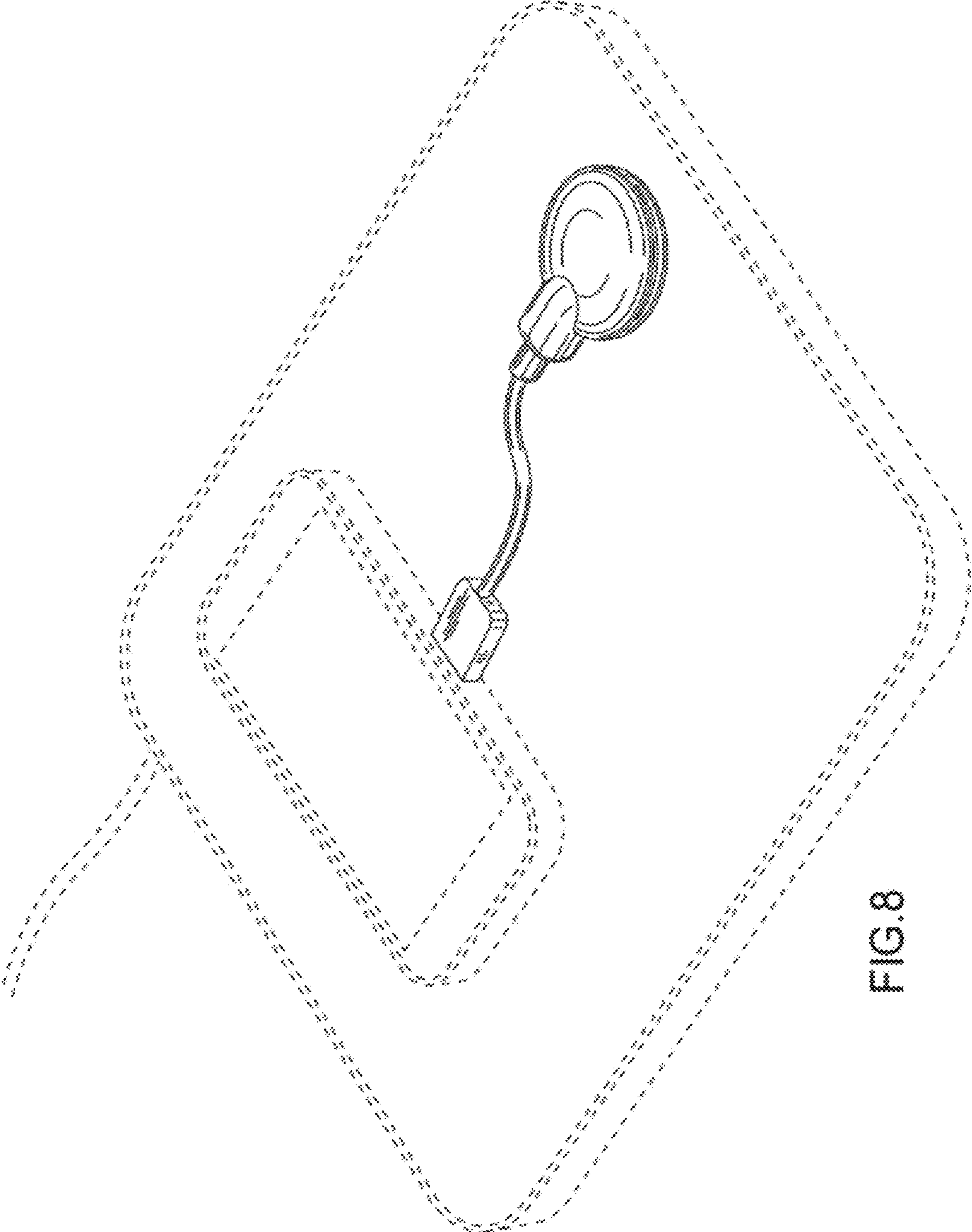


FIG.8