



US00D673109S

(12) **United States Design Patent**  
**Miyazaki**

(10) **Patent No.:** **US D673,109 S**

(45) **Date of Patent:** **\*\* Dec. 25, 2012**

(54) **TIRE**

(75) Inventor: **Tetsuji Miyazaki**, Osaka (JP)

(73) Assignee: **Toyo Tire & Rubber Co., Ltd.**, Osaka (JP)

(\*\*) Term: **14 Years**

(21) Appl. No.: **29/426,097**

(22) Filed: **Jun. 29, 2012**

(30) **Foreign Application Priority Data**

Apr. 18, 2012 (JP) ..... 2012-009074

(51) **LOC (9) Cl.** ..... **12-15**

(52) **U.S. Cl.** ..... **D12/584**

(58) **Field of Classification Search** ..... D12/568-603,  
D12/900-901, 547-550; 152/209.1-209.9,  
152/209.11-209.19, 209.21-209.28, 455  
See application file for complete search history.

(56) **References Cited**

**U.S. PATENT DOCUMENTS**

D309,883 S *	8/1990	Barnett	.....	D12/584
D323,801 S *	2/1992	Kajita	.....	D12/585
D350,507 S *	9/1994	Helluin	.....	D12/584
D415,984 S *	11/1999	Allison et al.	.....	D12/584
D430,514 S *	9/2000	Bethea et al.	.....	D12/584
D430,831 S *	9/2000	Edwards	.....	D12/585
D443,564 S *	6/2001	Bergstrom et al.	.....	D12/584
D482,323 S *	11/2003	Corbin et al.	.....	D12/584
D534,117 S *	12/2006	Welbes et al.	.....	D12/584

D585,817 S *	2/2009	Frappart	.....	D12/584
D591,223 S *	4/2009	Missik-Gaffney et al.	..	D12/584
D646,625 S *	10/2011	Youn	.....	D12/584
D662,035 S *	6/2012	Delbast et al.	.....	D12/584

**FOREIGN PATENT DOCUMENTS**

JP	D1363343	6/2009
JP	D1407005	2/2011

\* cited by examiner

*Primary Examiner* — Stacia Cadmus

(74) *Attorney, Agent, or Firm* — Sterne, Kessler, Goldstein & Fox PLLC

(57) **CLAIM**

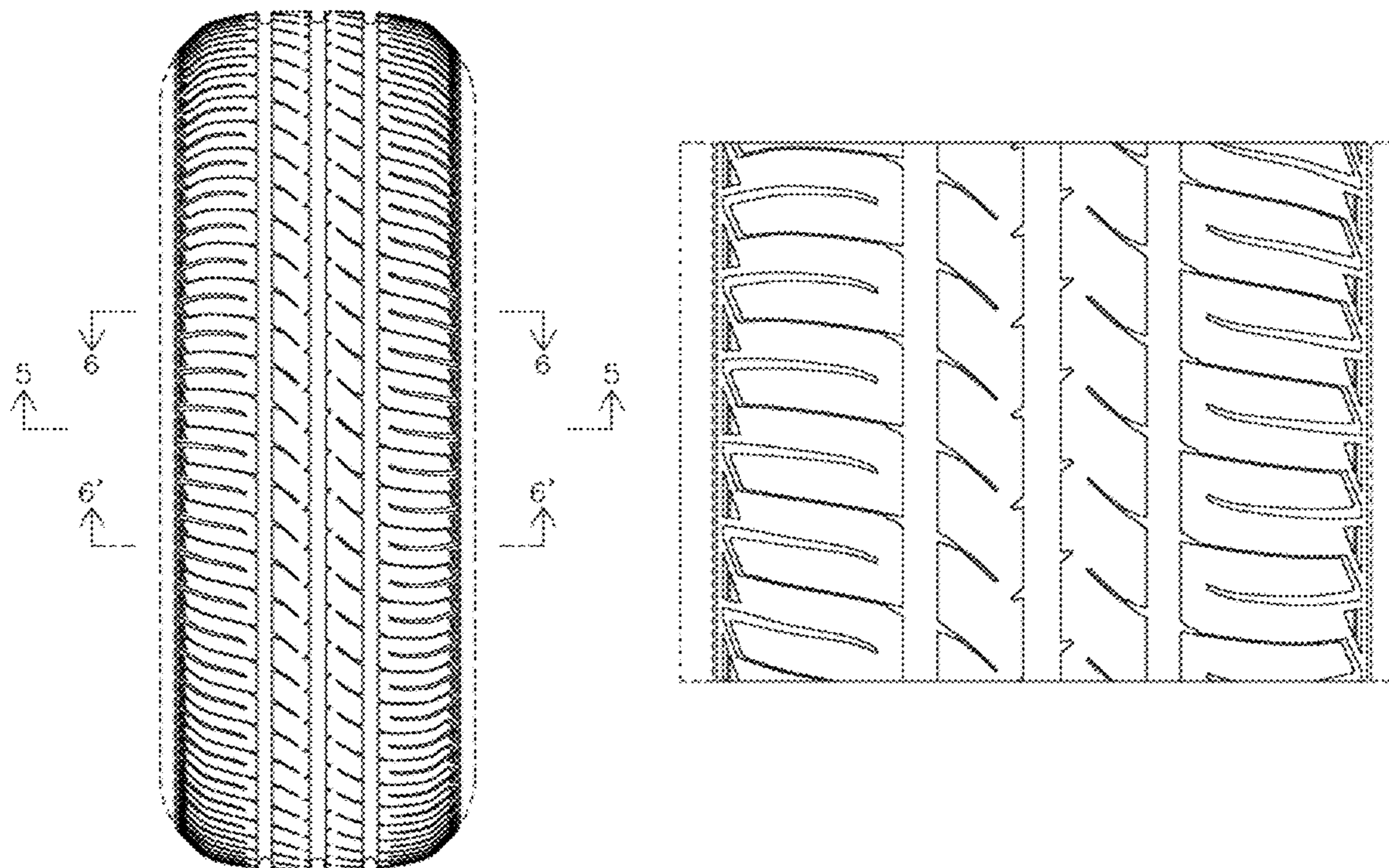
The ornamental design for a tire, as shown and described.

**DESCRIPTION**

FIG. 1 is a perspective view of a tire showing my new design; FIG. 2 is a front view thereof, for which the rear view is the same; FIG. 3 is a top plan view thereof, for which the bottom plan view is the same; FIG. 4 is a right side view thereof, for which the left side view is the same; FIG. 5 is a cross-sectional view taken along line 5-5 in FIG. 2 and line 5'-5' in FIG. 4; and, FIG. 6 is an enlarged view taken along lines 6-6 and 6'-6' in FIG. 2.

In the drawings, the broken lines showing portions of the sidewall, and inner bead depict environmental subject matter that forms no part of the claimed design.

**1 Claim, 6 Drawing Sheets**





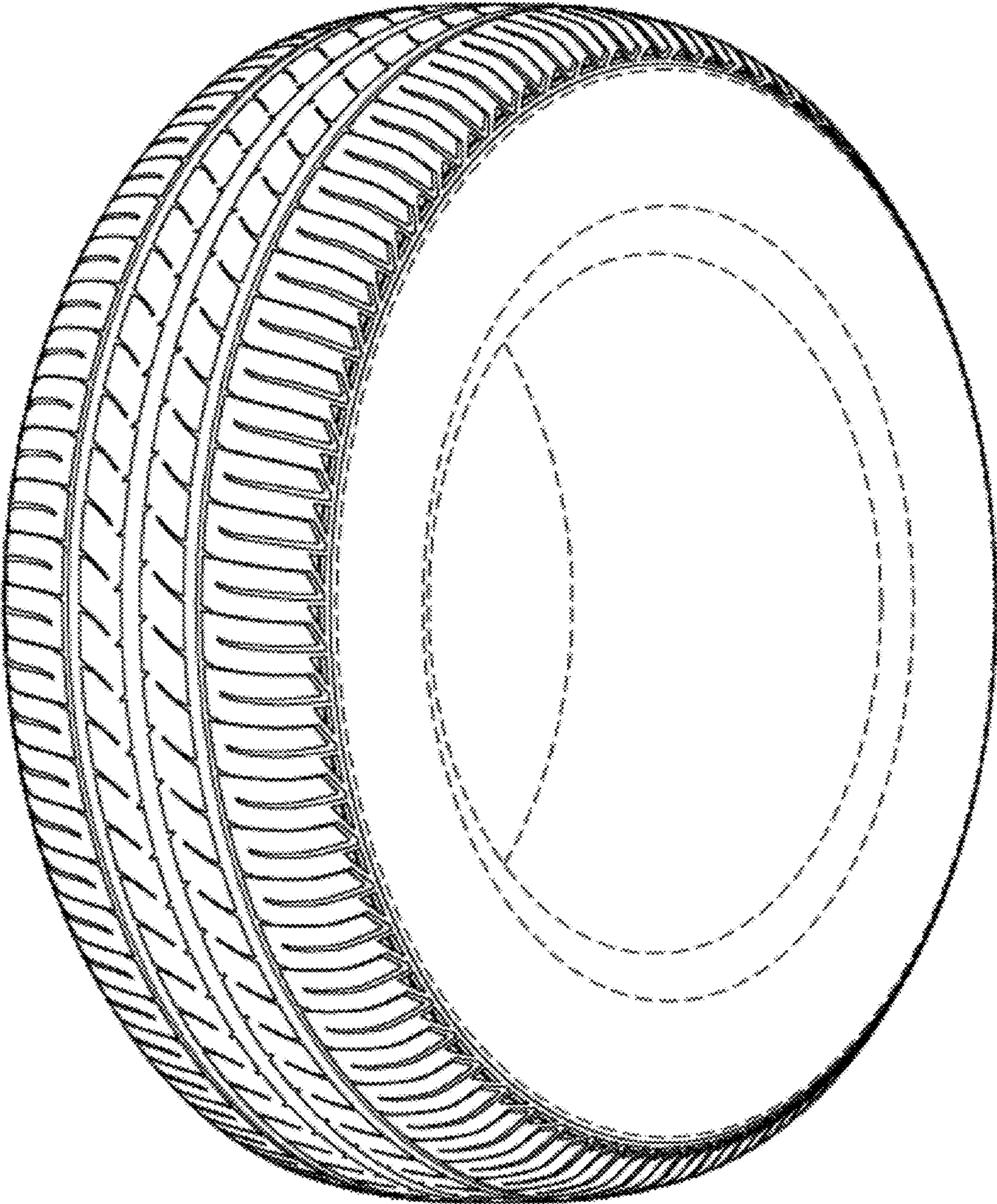


FIG. 1



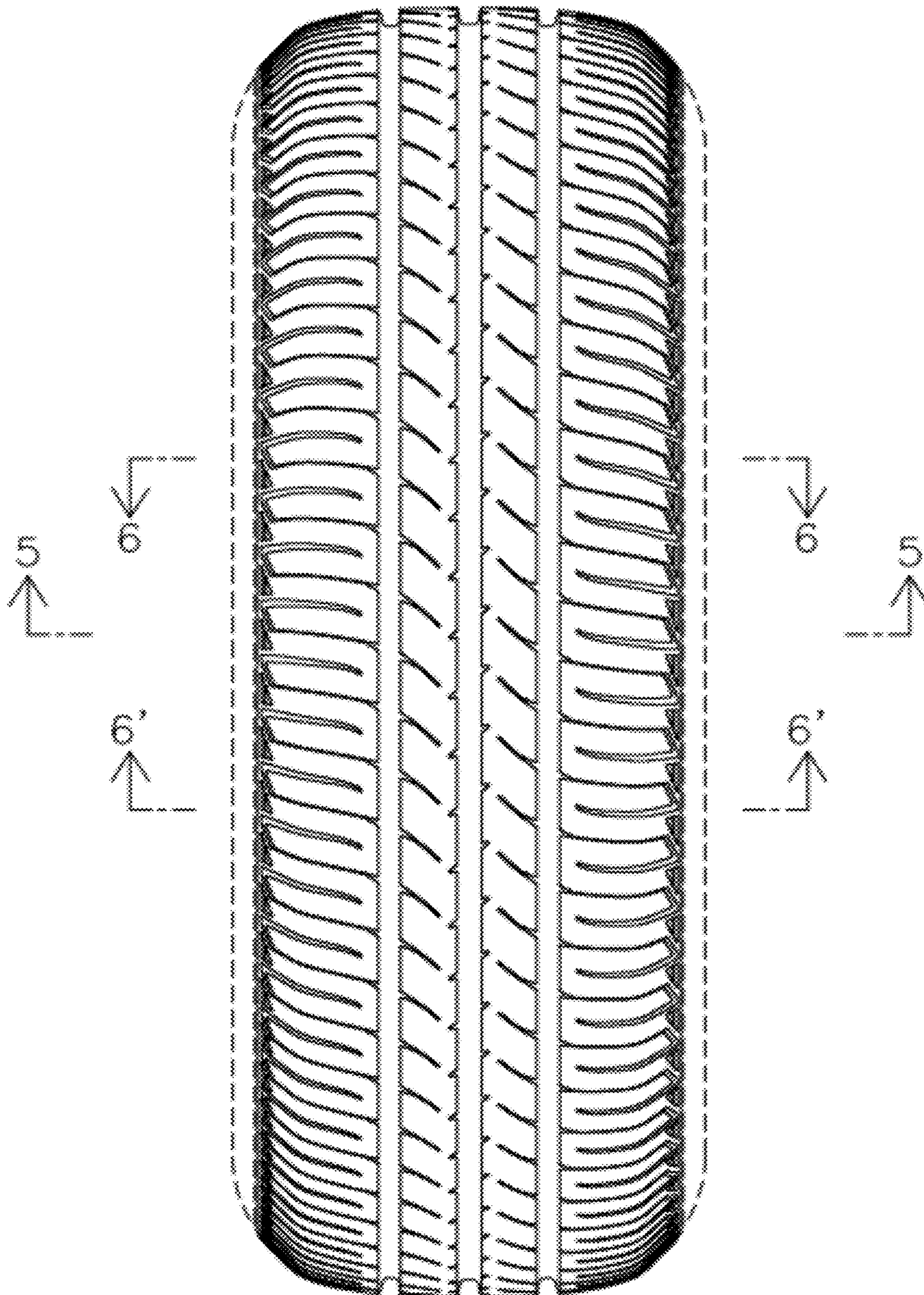


FIG. 2



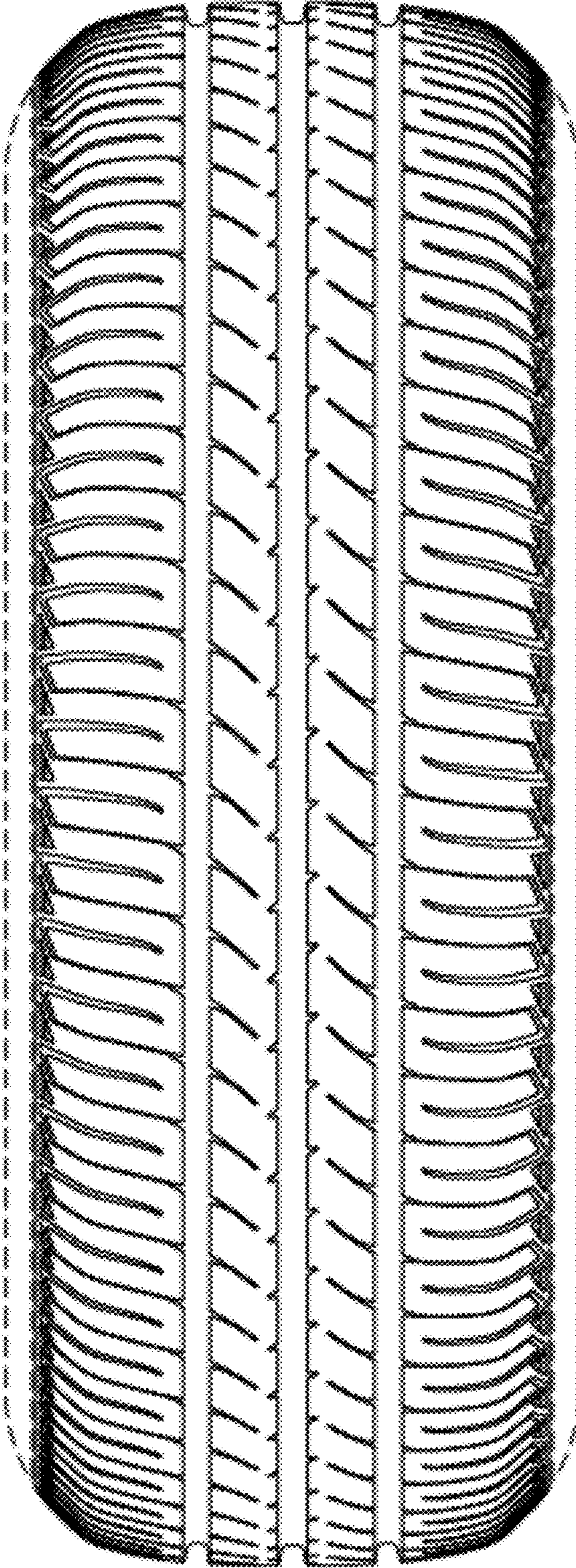


FIG. 3

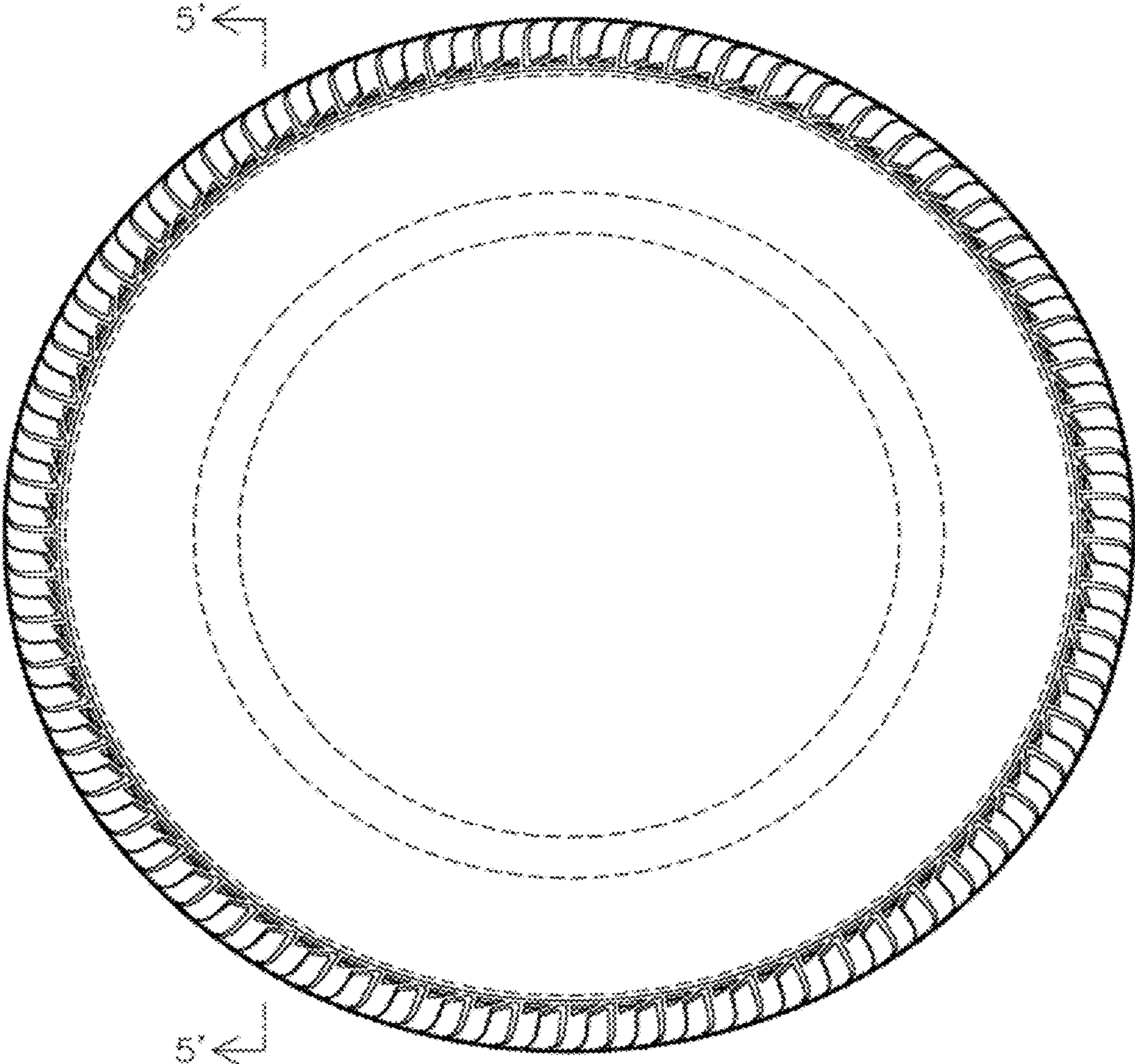


FIG. 4



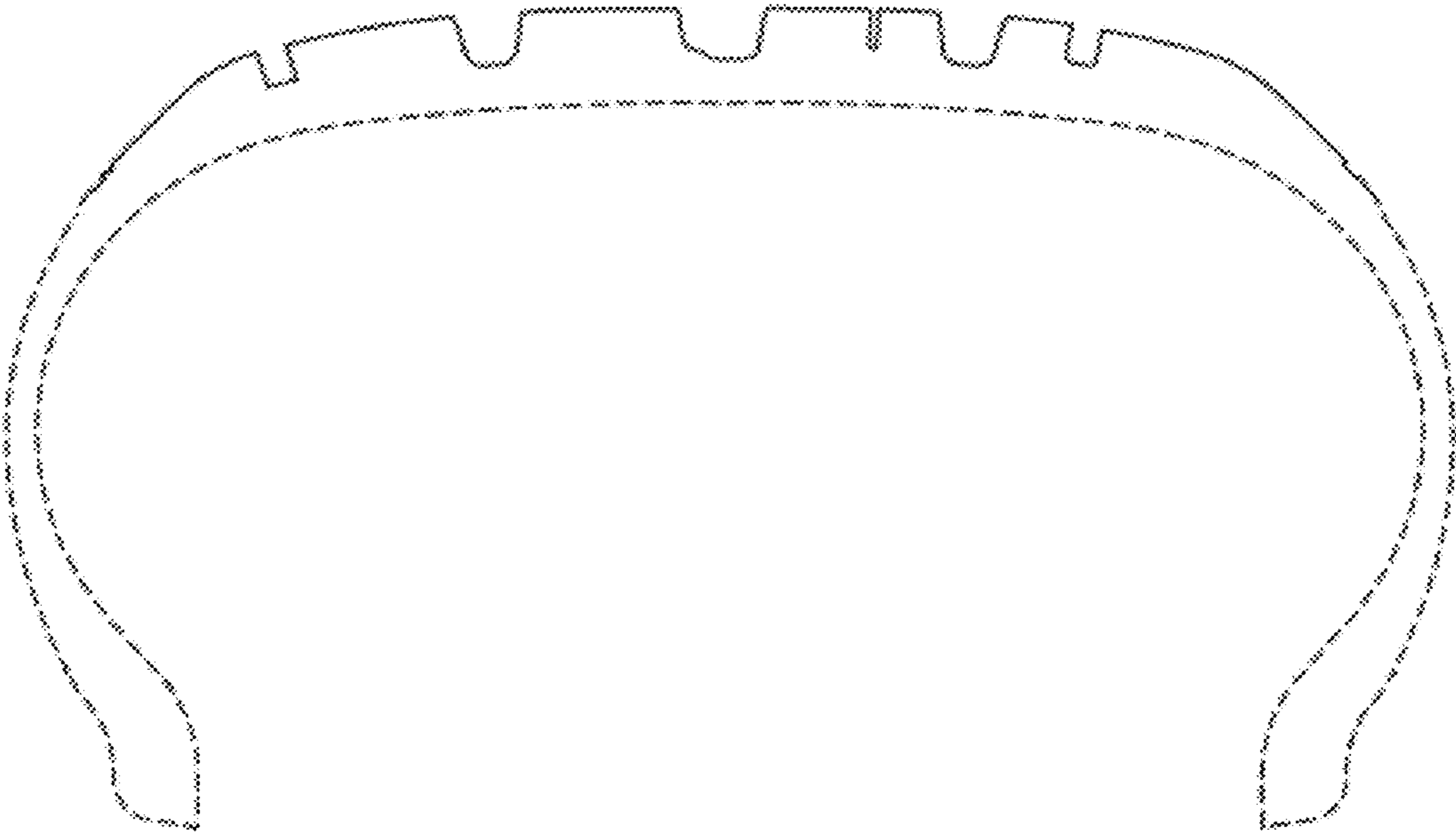


FIG. 5

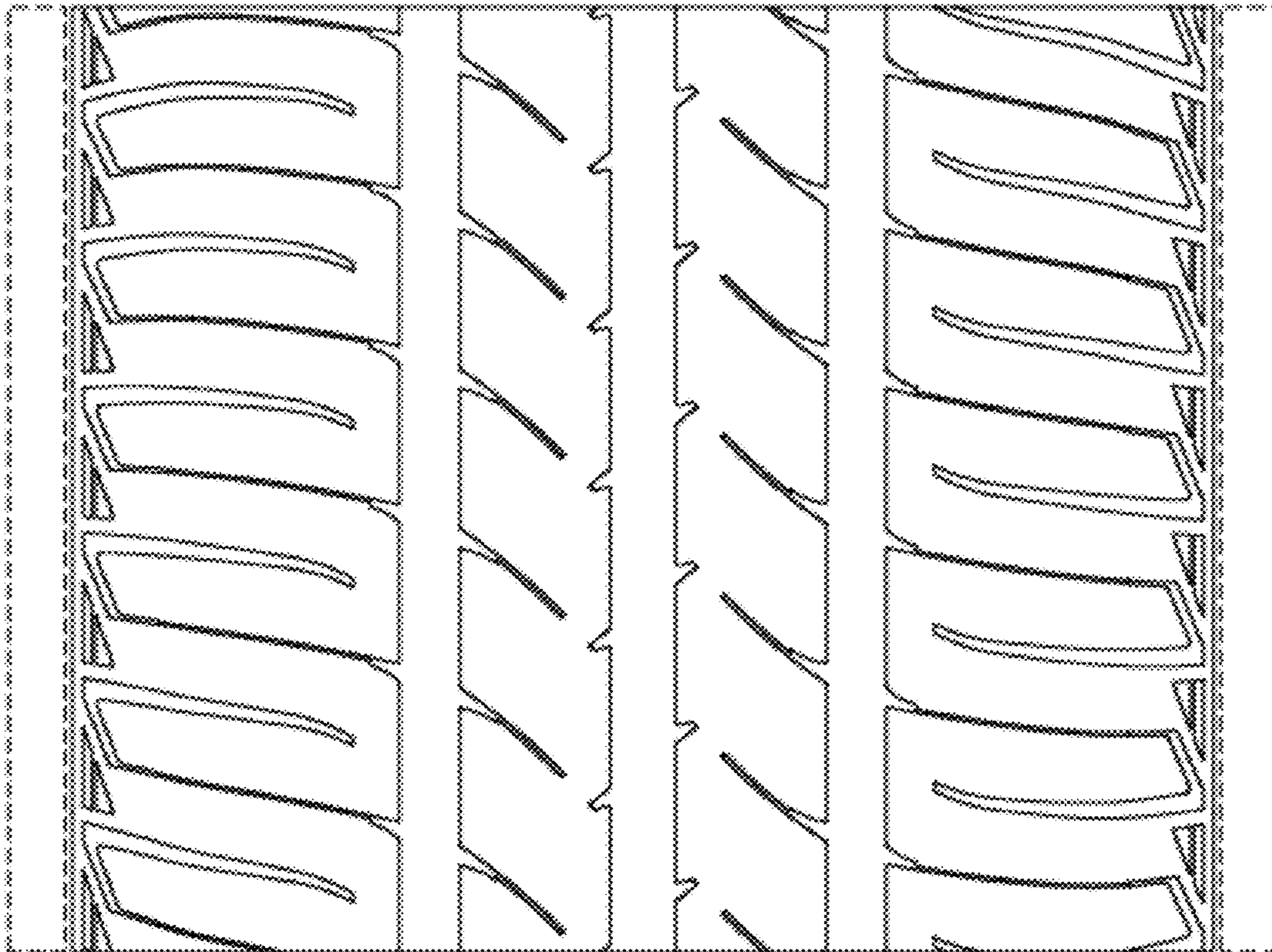


FIG. 6