



US00D673105S

(12) **United States Design Patent**
Spain

(10) **Patent No.:** **US D673,105 S**

(45) **Date of Patent:** **** Dec. 25, 2012**

(54) **PADDLEBOARD OAR HANDLE**

(76) Inventor: **Peter Spain**, Crystal Bay, NV (US)

(**) Term: **14 Years**

(21) Appl. No.: **29/405,699**

(22) Filed: **Nov. 4, 2011**

(51) **LOC (9) Cl.** **12-06**

(52) **U.S. Cl.** **D12/215; D8/10**

(58) **Field of Classification Search** D12/215;
D8/1, 7, 10, 13, 300; 440/101, 102; 416/72;
294/49, 57

See application file for complete search history.

(56) **References Cited**

U.S. PATENT DOCUMENTS

826,693	A *	7/1906	Sheen	440/101
D186,252	S *	9/1959	Roberts	D12/215
3,092,855	A *	6/1963	Smith	416/72
3,970,032	A *	7/1976	Phillips	440/102
4,673,361	A *	6/1987	Harvey	440/101
D405,330	S *	2/1999	Whitehead et al.	D8/10
D430,463	S *	9/2000	Claxton	D8/10
D592,920	S *	5/2009	Boies et al.	D8/10
D606,817	S *	12/2009	Boies	D8/10
D622,113	S *	8/2010	Boies	D8/10
8,100,733	B1 *	1/2012	Ross et al.	440/101
2009/0200813	A1 *	8/2009	Boies	294/49

FOREIGN PATENT DOCUMENTS

GB 2434291 A * 7/2007

* cited by examiner

Primary Examiner — Caron D Veynar

Assistant Examiner — Martie K Holtje

(74) *Attorney, Agent, or Firm* — Sinorica, LLC

(57) **CLAIM**

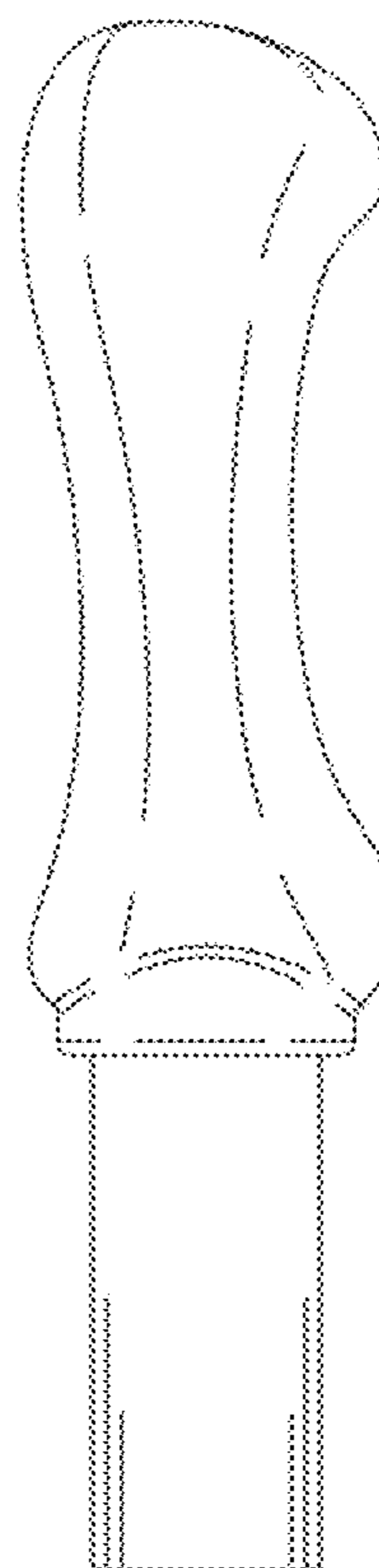
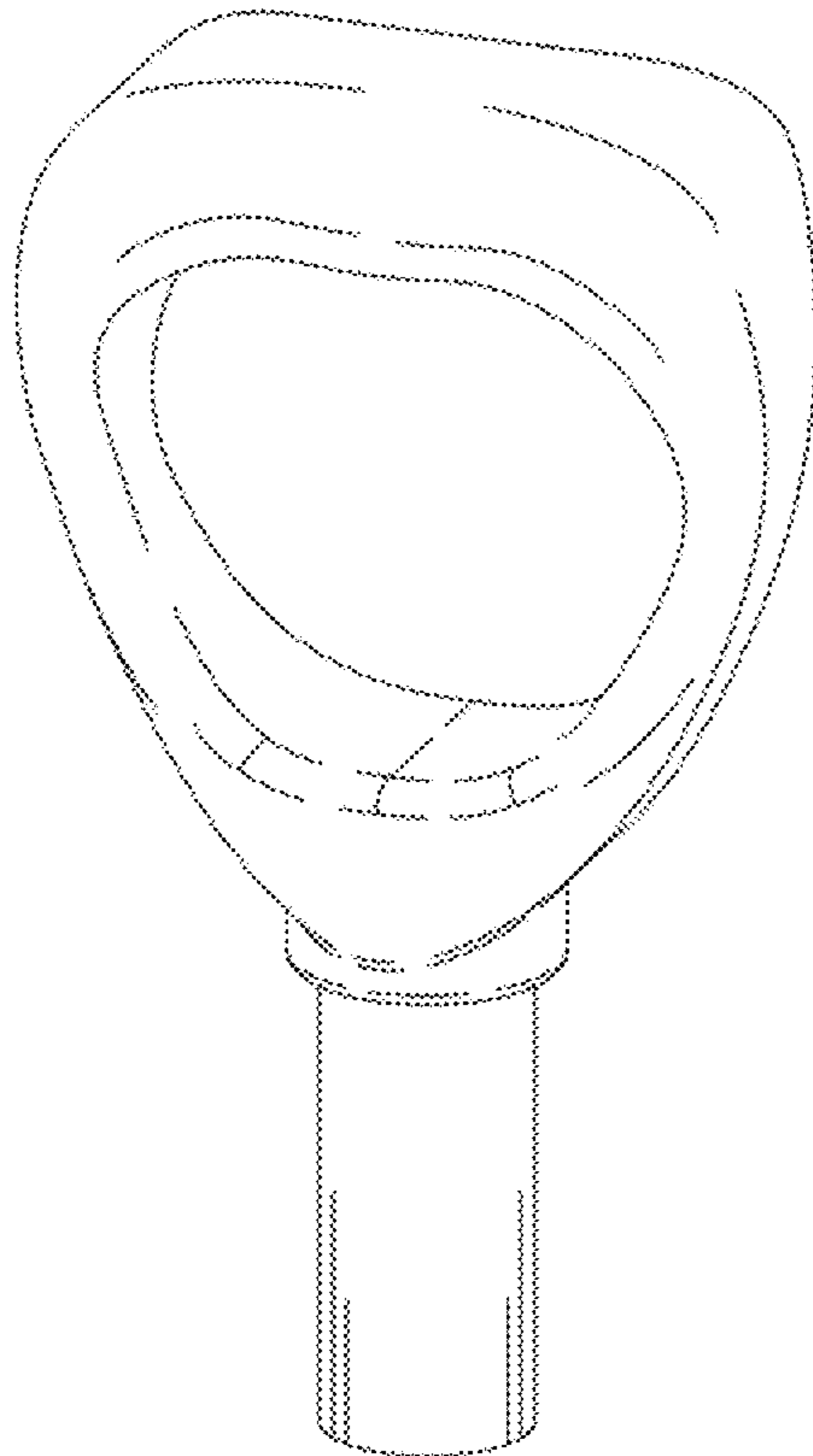
The ornamental design for a paddleboard oar handle, as shown and described.

DESCRIPTION

FIG. 1 is a perspective view of a paddleboard oar handle; FIG. 2 is a front elevational view thereof; FIG. 3 is a rear elevational view thereof; FIG. 4 is a right-side elevational view thereof, the left-side elevational view being a mirror image; FIG. 5 is a bottom plan view thereof; FIG. 6 is a top plan view thereof; FIG. 7 is a bottom perspective view thereof; and, FIG. 8 is a perspective view of an oar with the paddleboard oar handle.

The broken line showing of the oar forms no part of the claimed design.

1 Claim, 7 Drawing Sheets



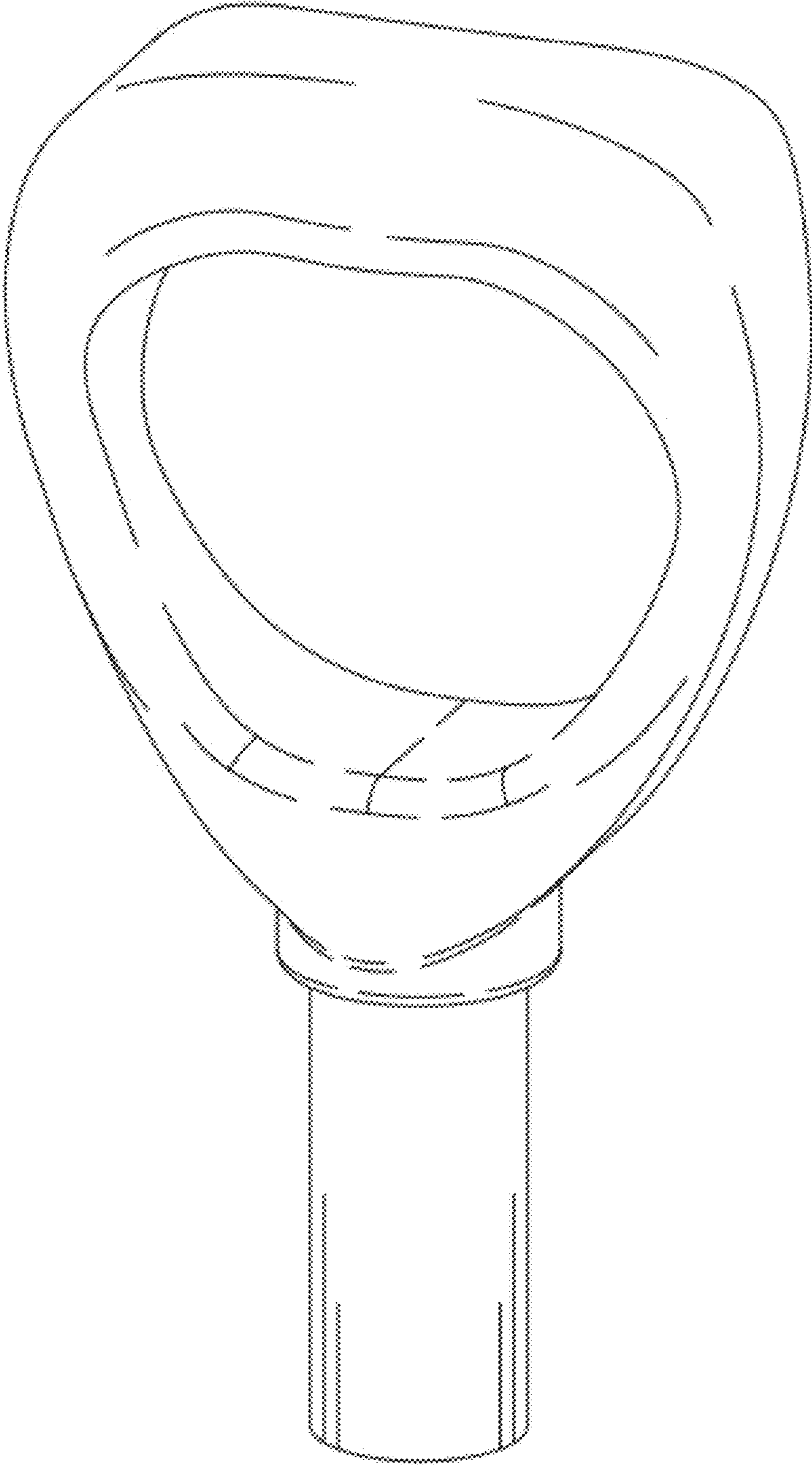


FIG. 1

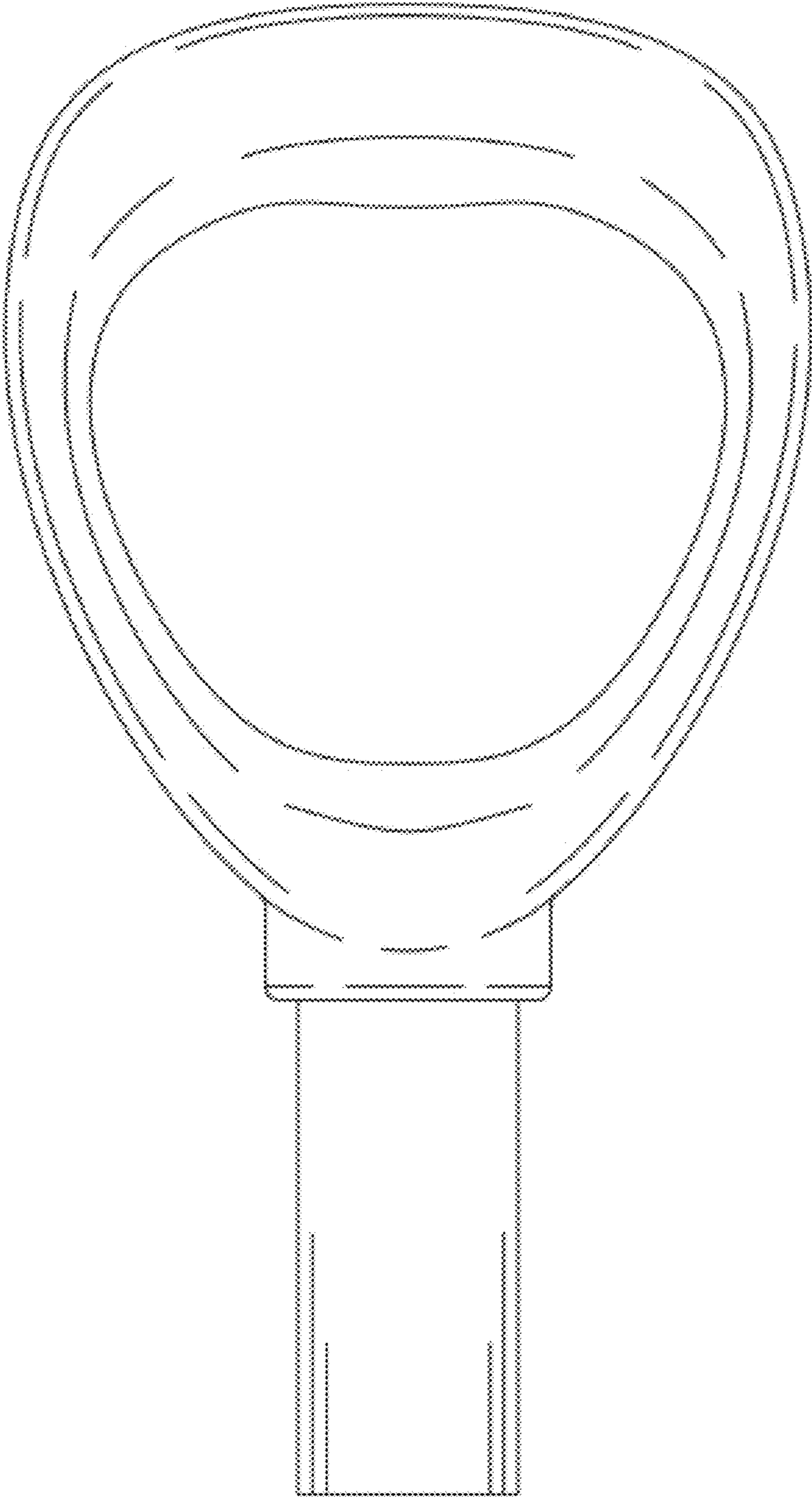


FIG. 2

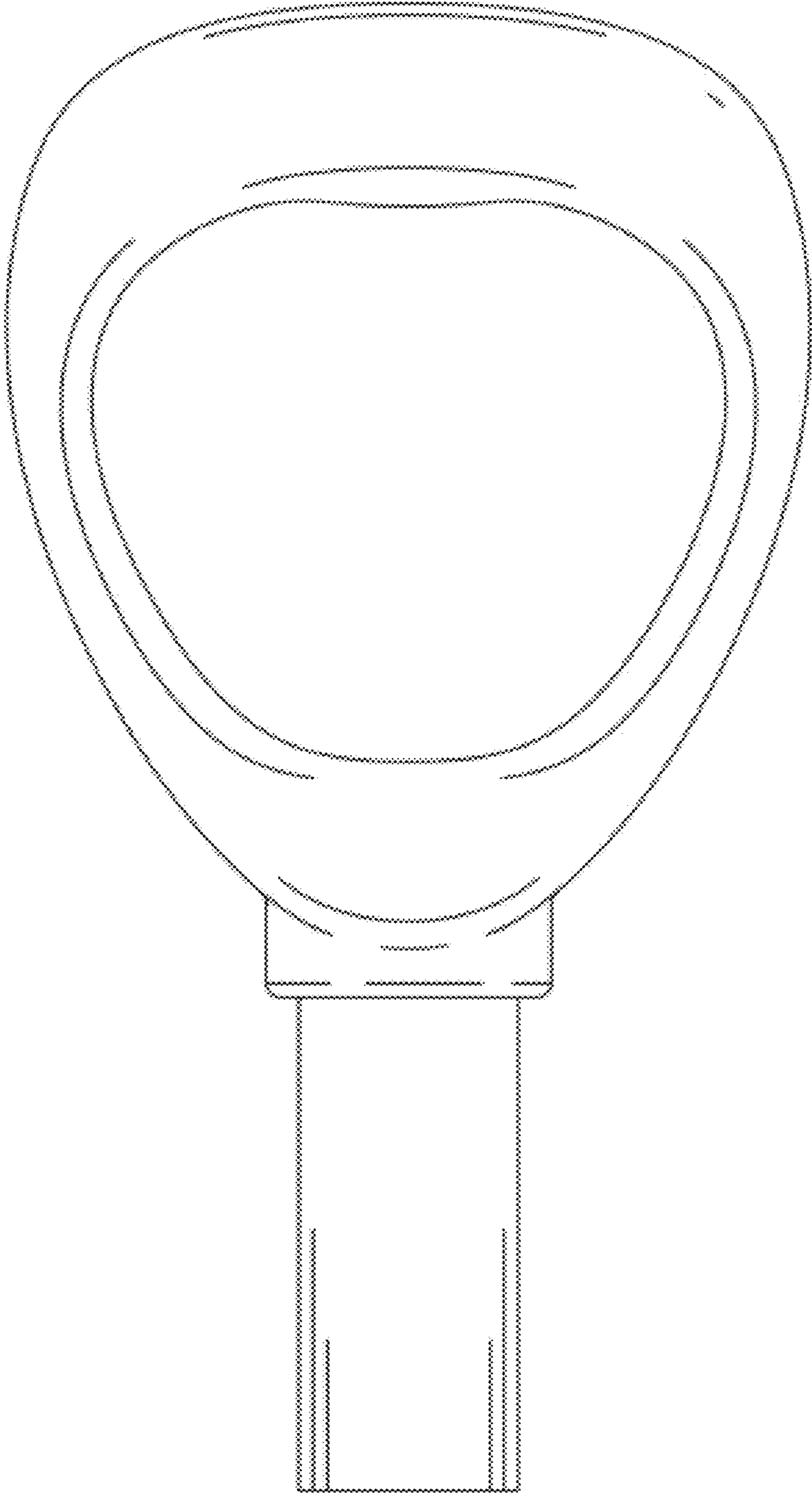


FIG. 3

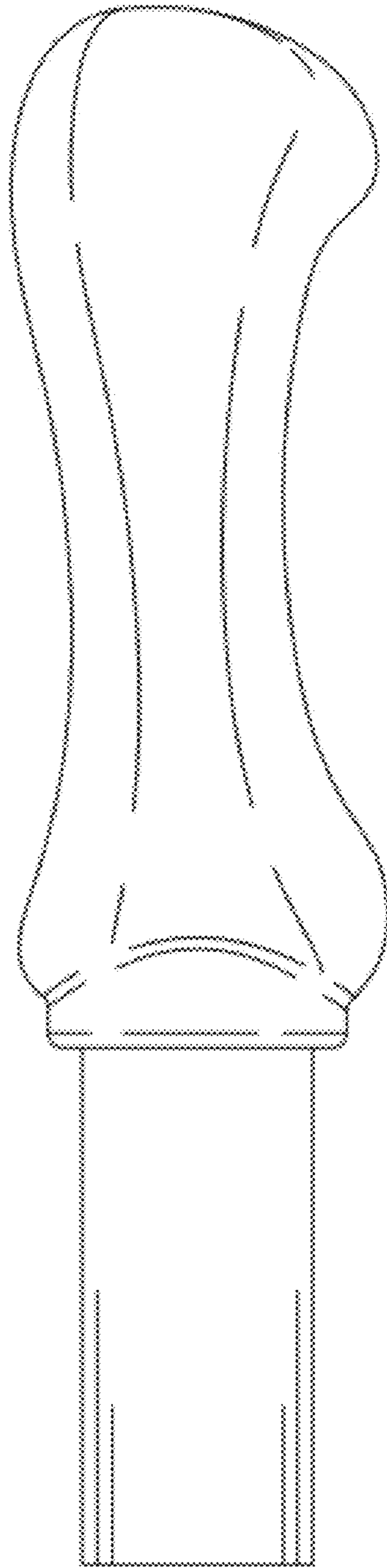


FIG. 4

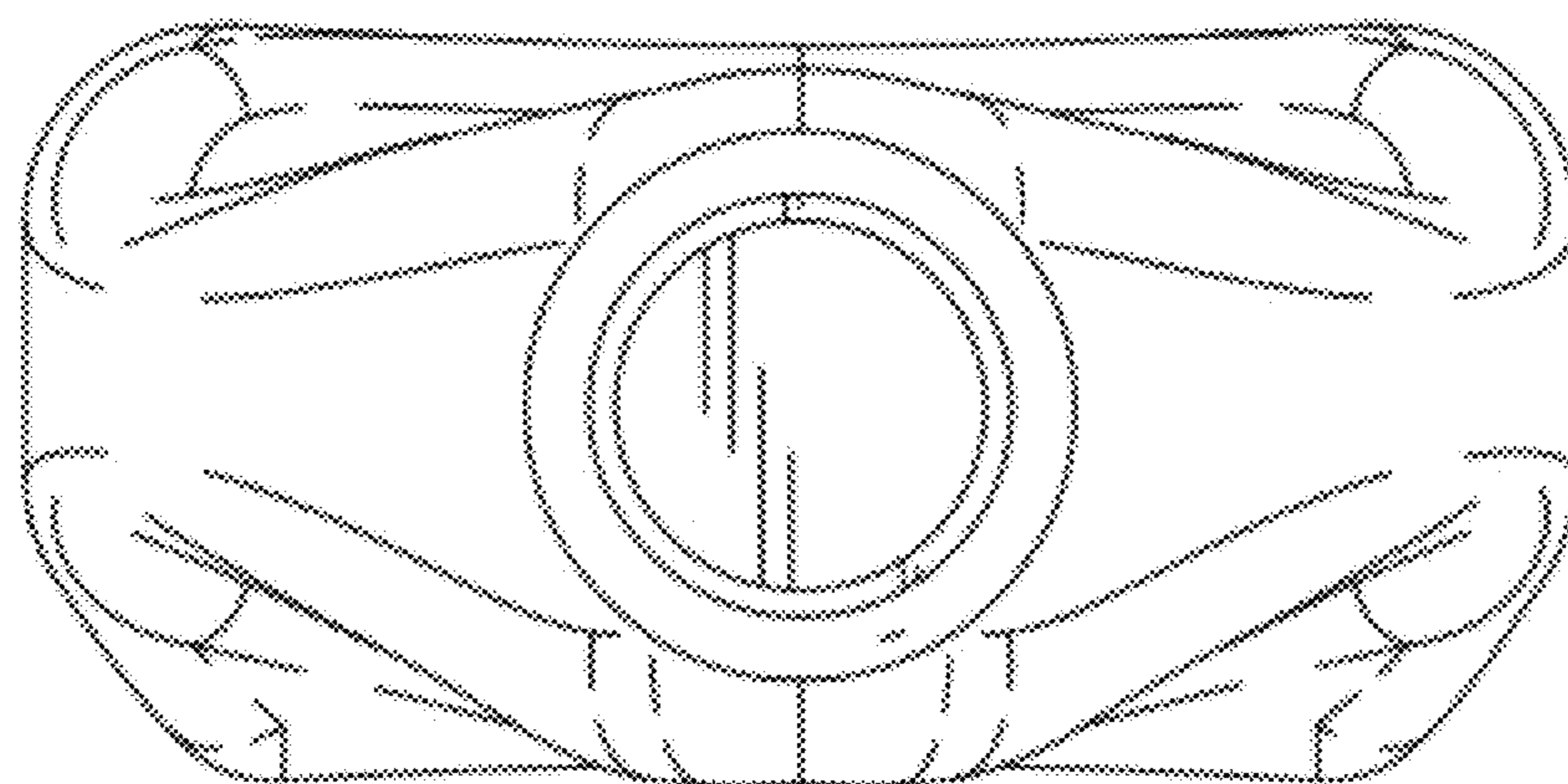


FIG. 5

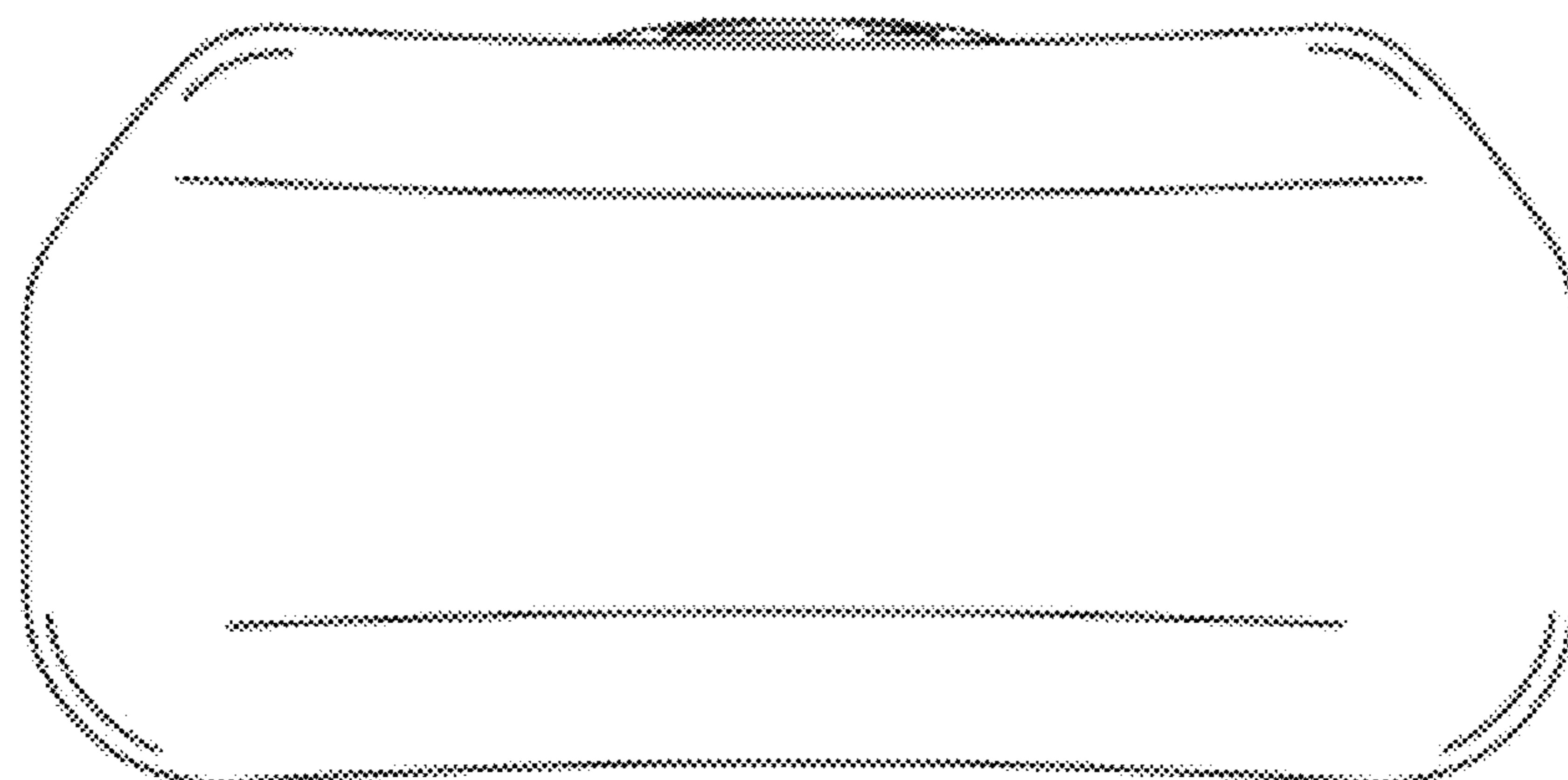


FIG. 6

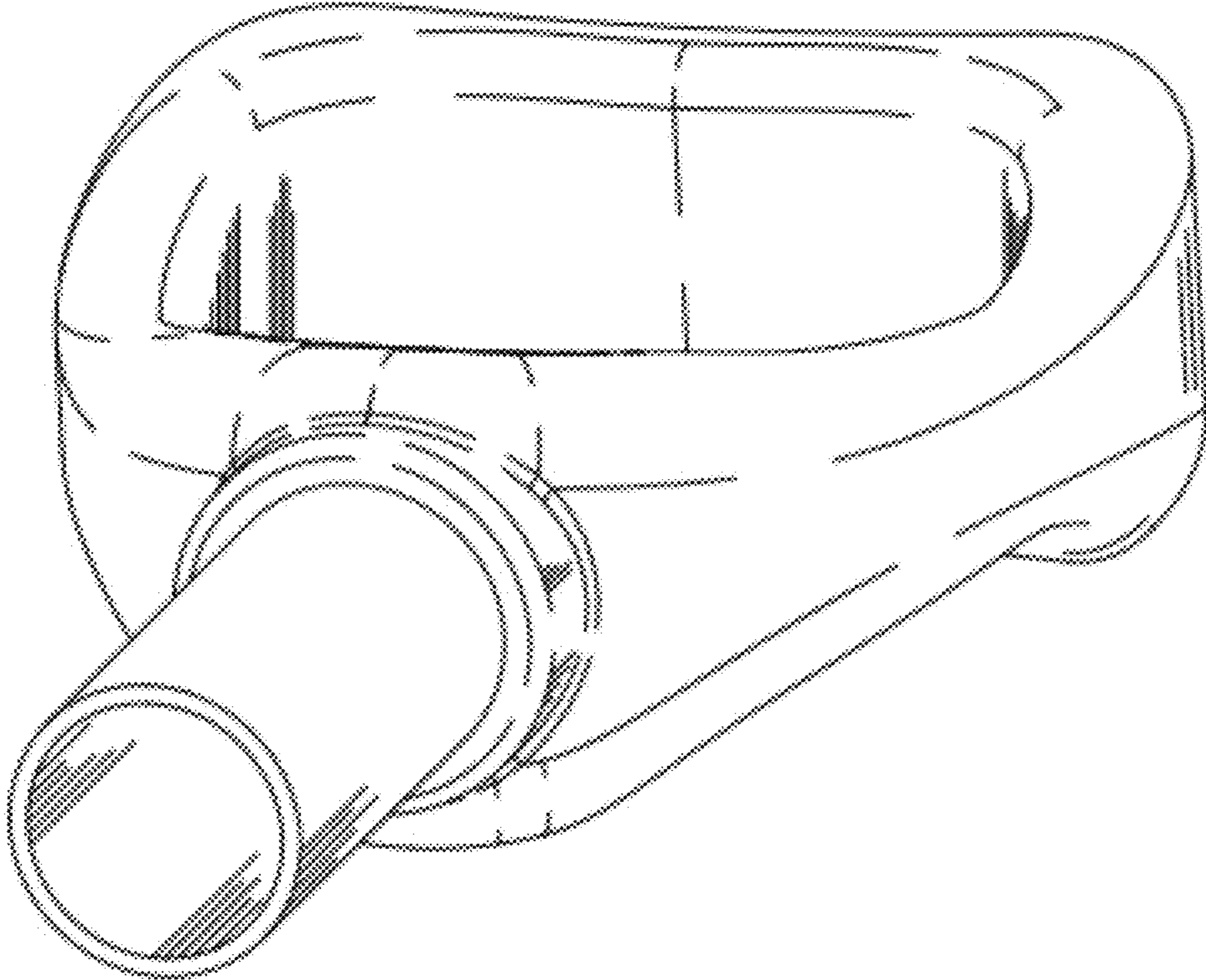


FIG. 7

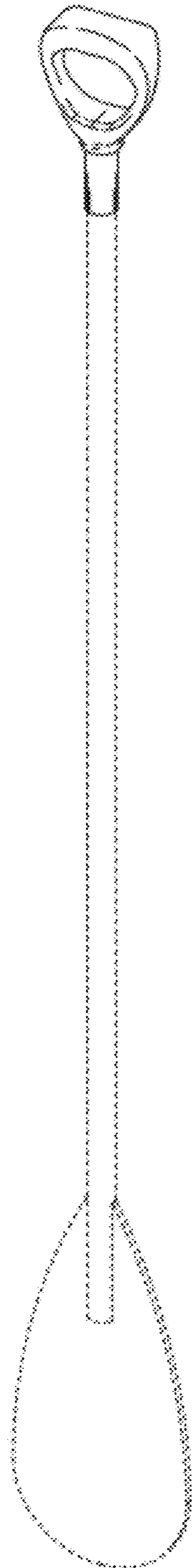


FIG. 8