

US00D673103S

(12) **United States Design Patent**
Song et al.

(10) **Patent No.:** **US D673,103 S**

(45) **Date of Patent:** **** Dec. 25, 2012**

(54) **VEHICLE WHEEL**

(75) Inventors: **Solomon H. Song**, Farmington Hills, MI (US); **Darrell Paul Behmer**, Novi, MI (US)

(73) Assignee: **Ford Motor Company**, Dearborn, MI (US)

(**) Term: **14 Years**

(21) Appl. No.: **29/416,976**

(22) Filed: **Mar. 29, 2012**

(51) **LOC (9) Cl.** **12-16**

(52) **U.S. Cl.** **D12/211**

(58) **Field of Classification Search** D12/204-213;
301/37.101, 64.101, 65, 64.201

See application file for complete search history.

(56) **References Cited**

U.S. PATENT DOCUMENTS

D522,954 S * 6/2006 Hueller D12/211
D593,022 S * 5/2009 Forster et al. D12/211

D610,517 S * 2/2010 Leng et al. D12/211
D622,202 S * 8/2010 Zhao D12/211
D628,136 S * 11/2010 Leclercq D12/211
D647,449 S * 10/2011 Gotschke D12/209
D660,766 S * 5/2012 Gotschke et al. D12/209
D663,671 S * 7/2012 Song et al. D12/211
D668,197 S * 10/2012 Gotschke et al. D12/211

* cited by examiner

Primary Examiner — Stacia Cadmus

(74) *Attorney, Agent, or Firm* — Damian Porcari

(57) **CLAIM**

The ornamental design for a vehicle wheel, as shown and described.

DESCRIPTION

FIG. 1 is a front view of a vehicle wheel; and, FIG. 2 is a perspective view of the vehicle wheel.

1 Claim, 2 Drawing Sheets

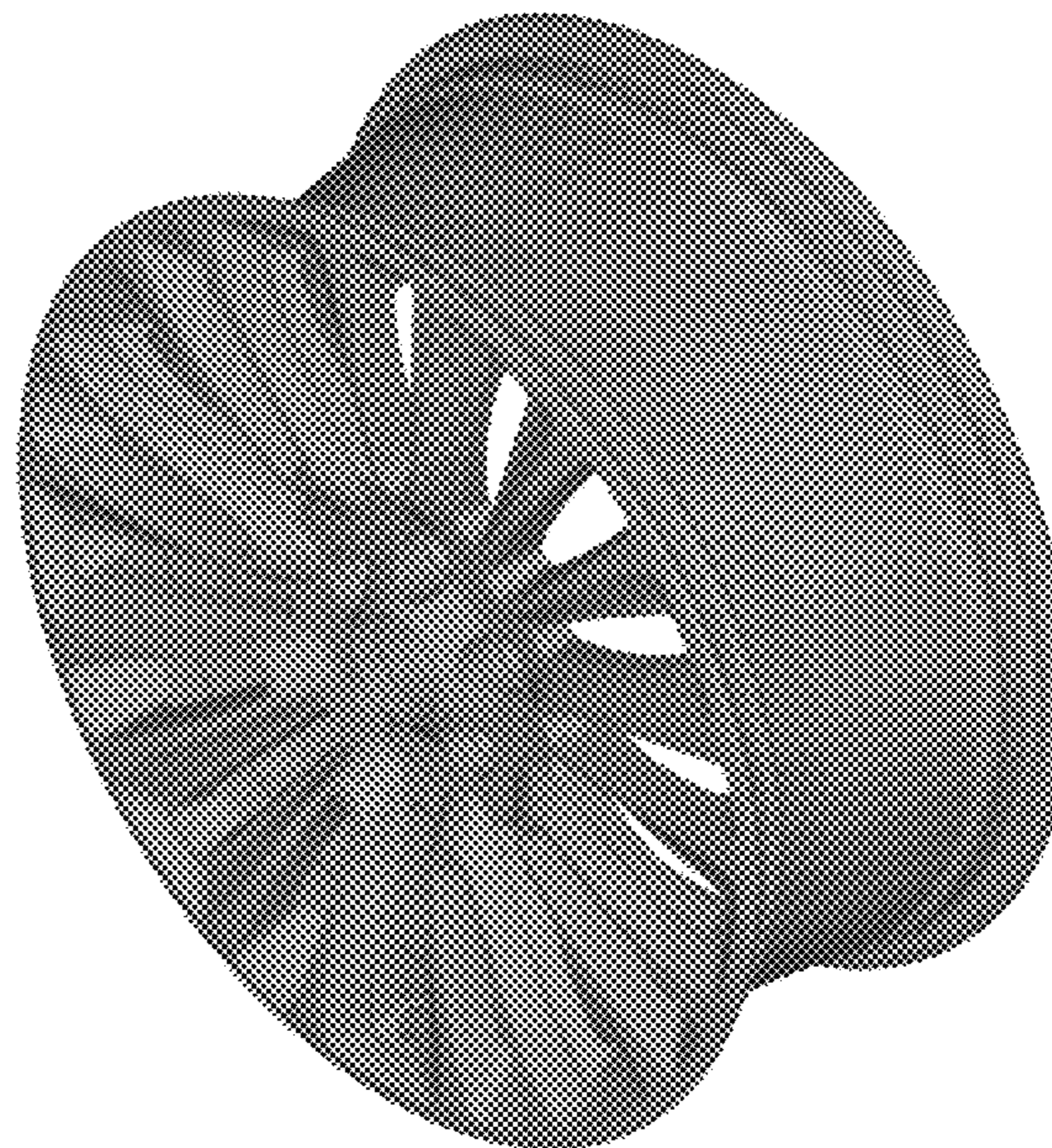
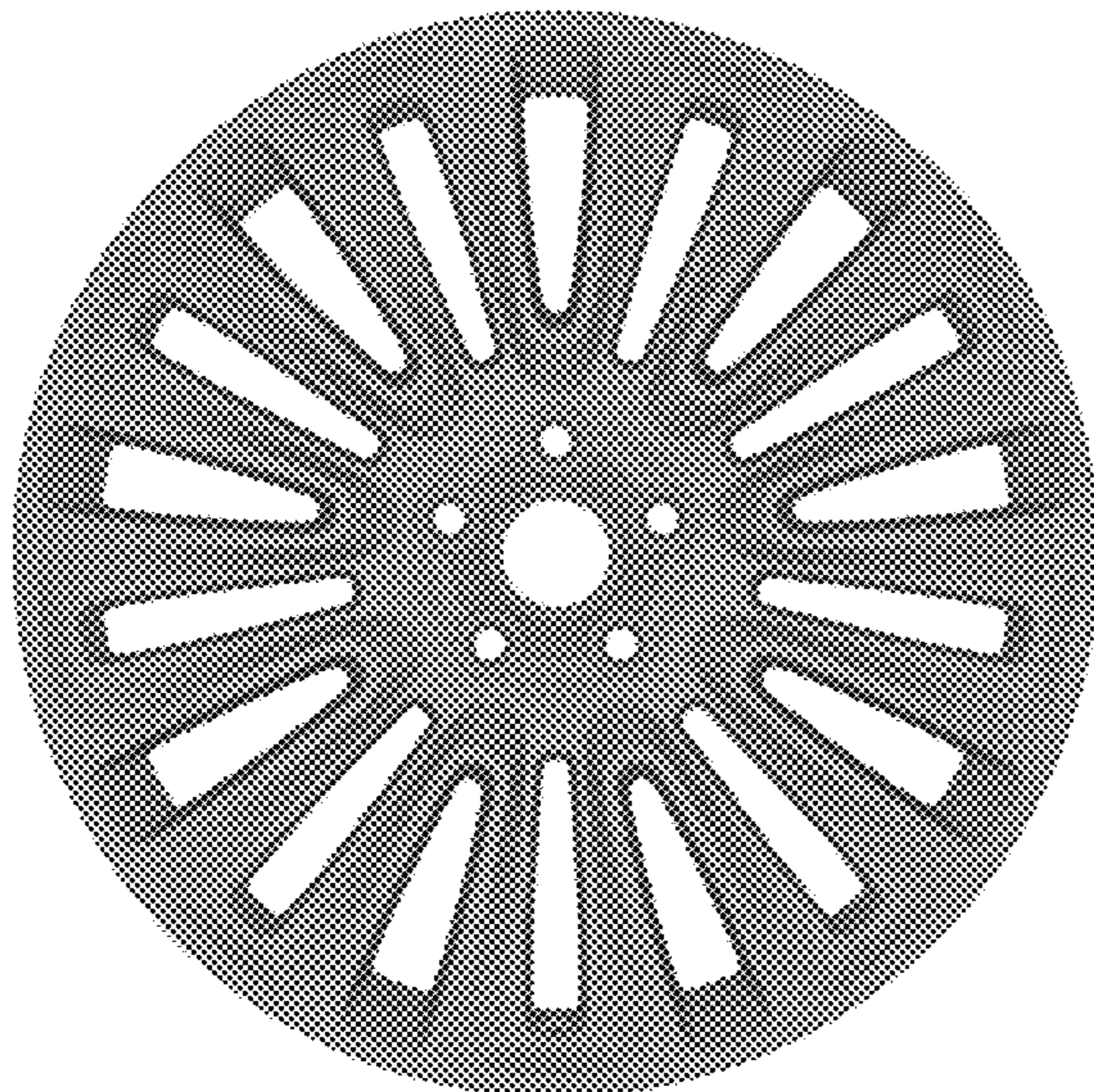




Figure 1



Figure 2