



US00D673102S

(12) **United States Design Patent**  
**Behmer et al.**

(10) **Patent No.:** **US D673,102 S**  
(45) **Date of Patent:** **\*\* Dec. 25, 2012**

(54) **VEHICLE WHEEL**

(75) Inventors: **Darrell Paul Behmer**, Novi, MI (US);  
**Melvin Betancourt**, Shelby Township,  
MI (US); **Robert Gelardi**, Dearborn, MI  
(US); **John Kim**, Ann Arbor, MI (US)

(73) Assignee: **Ford Motor Company**, Dearborn, MI  
(US)

(\*\*) Term: **14 Years**

(21) Appl. No.: **29/406,168**

(22) Filed: **Nov. 10, 2011**

(51) **LOC (9) Cl.** ..... **12-16**

(52) **U.S. Cl.** ..... **D12/211**

(58) **Field of Classification Search** ..... D12/204-213;  
301/37.101, 64.101, 65, 64.201

See application file for complete search history.

(56) **References Cited**

**U.S. PATENT DOCUMENTS**

D438,505 S *	3/2001	McMath	.....	D12/211
D478,307 S *	8/2003	Maifrini	.....	D12/211
D481,663 S *	11/2003	Maifrini	.....	D12/211
D530,253 S *	10/2006	Coutts	.....	D12/209

D575,718 S *	8/2008	Pfeiffer	.....	D12/211
D589,428 S *	3/2009	Scheu	.....	D12/211
D605,574 S *	12/2009	Abdallah	.....	D12/211
D606,477 S	12/2009	Gelardi		
D660,768 S *	5/2012	De Bono	.....	D12/211

**OTHER PUBLICATIONS**

All About Cars and Trucks, Aug. 17, 2011, 2013 Ford Mustang Spy Photos.

Car and Driver, undated, 2013 Ford Mustang Shelby GT500 (spy photo).

Motorauthority, Jun3 19, 2011, 2013 Ford Mustang Shelby GT500 spy shots.

\* cited by examiner

*Primary Examiner* — Stacia Cadmus

(74) *Attorney, Agent, or Firm* — Damian Porcari

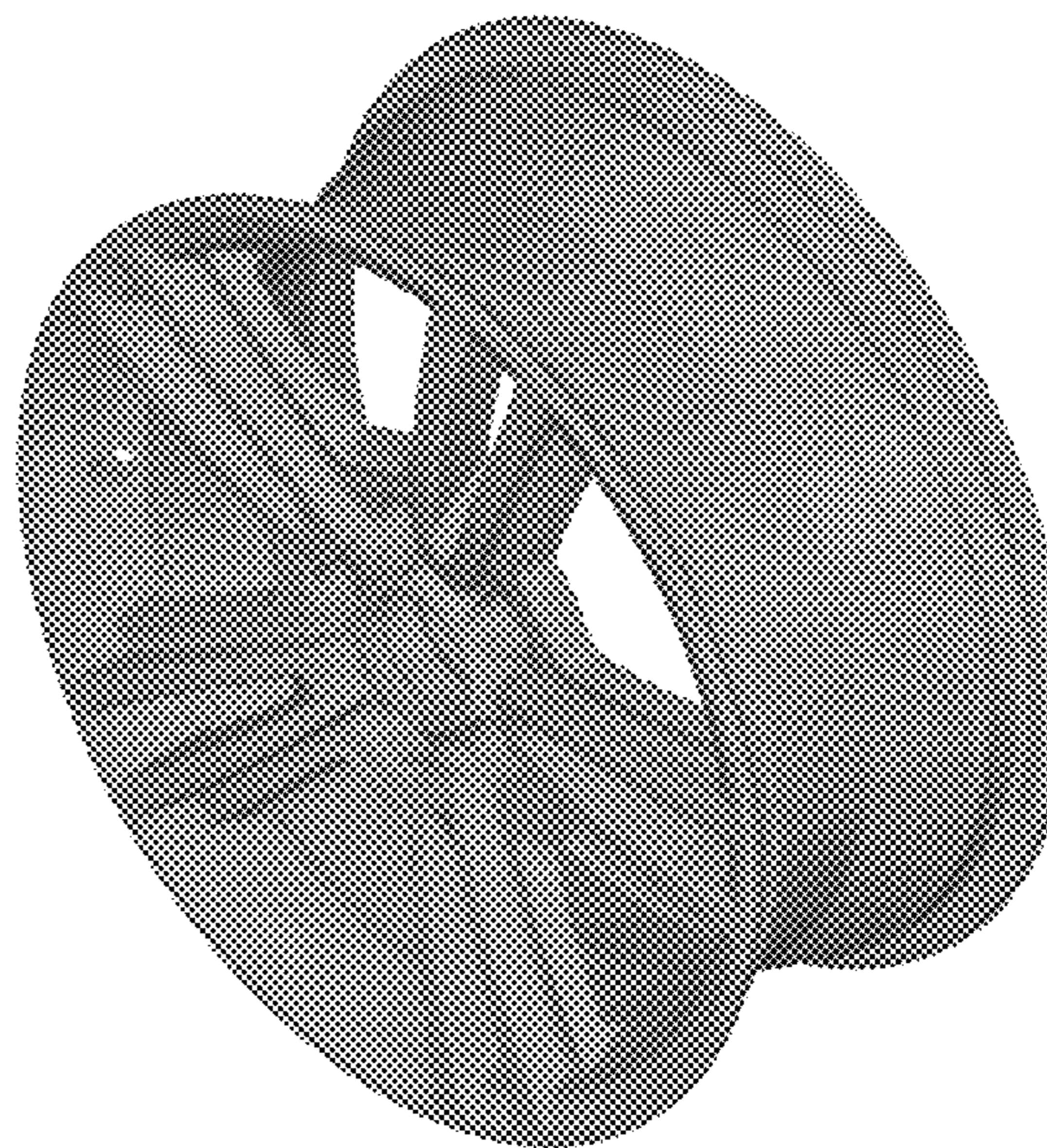
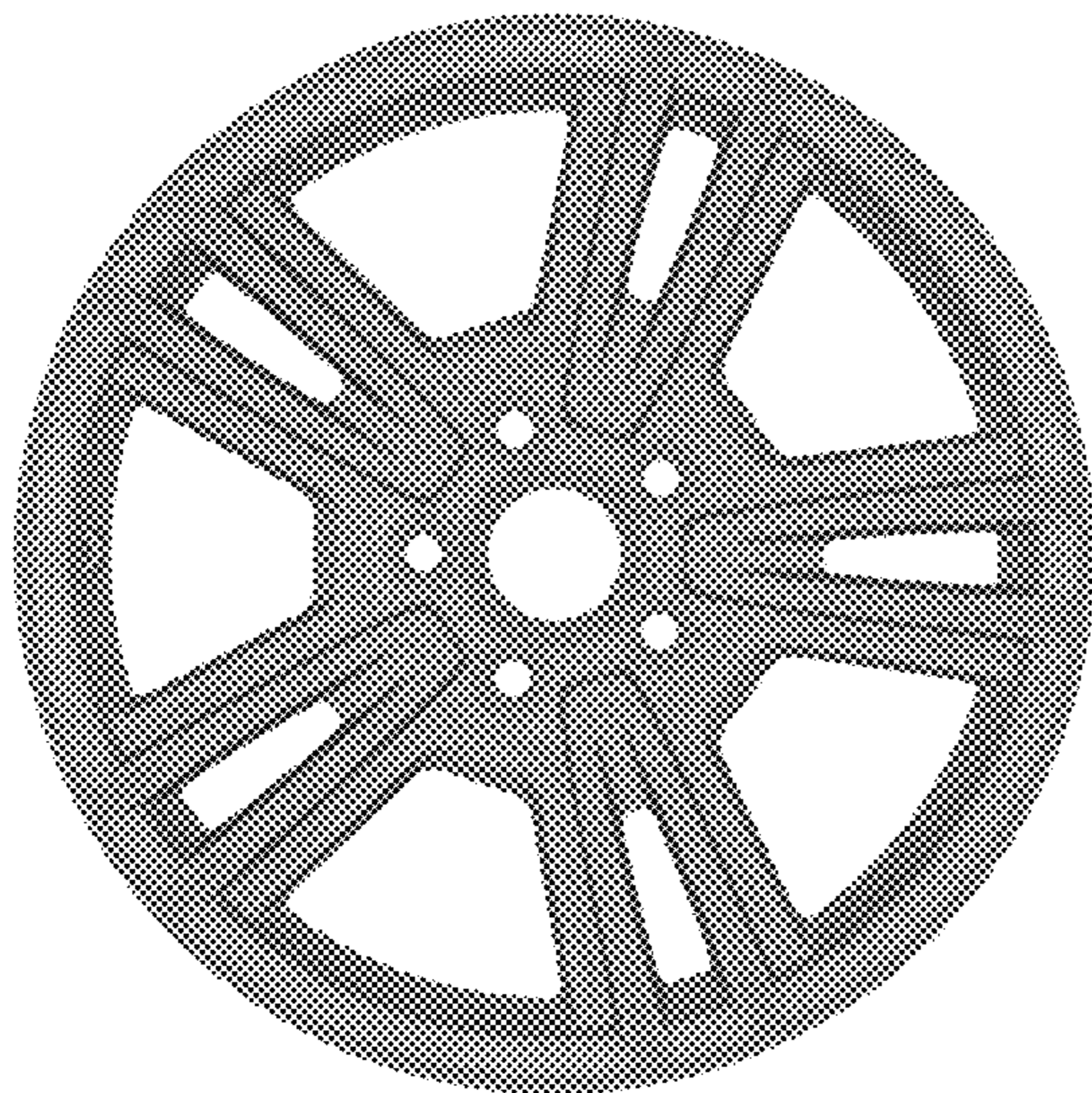
(57) **CLAIM**

The ornamental design for a vehicle wheel, as shown and described.

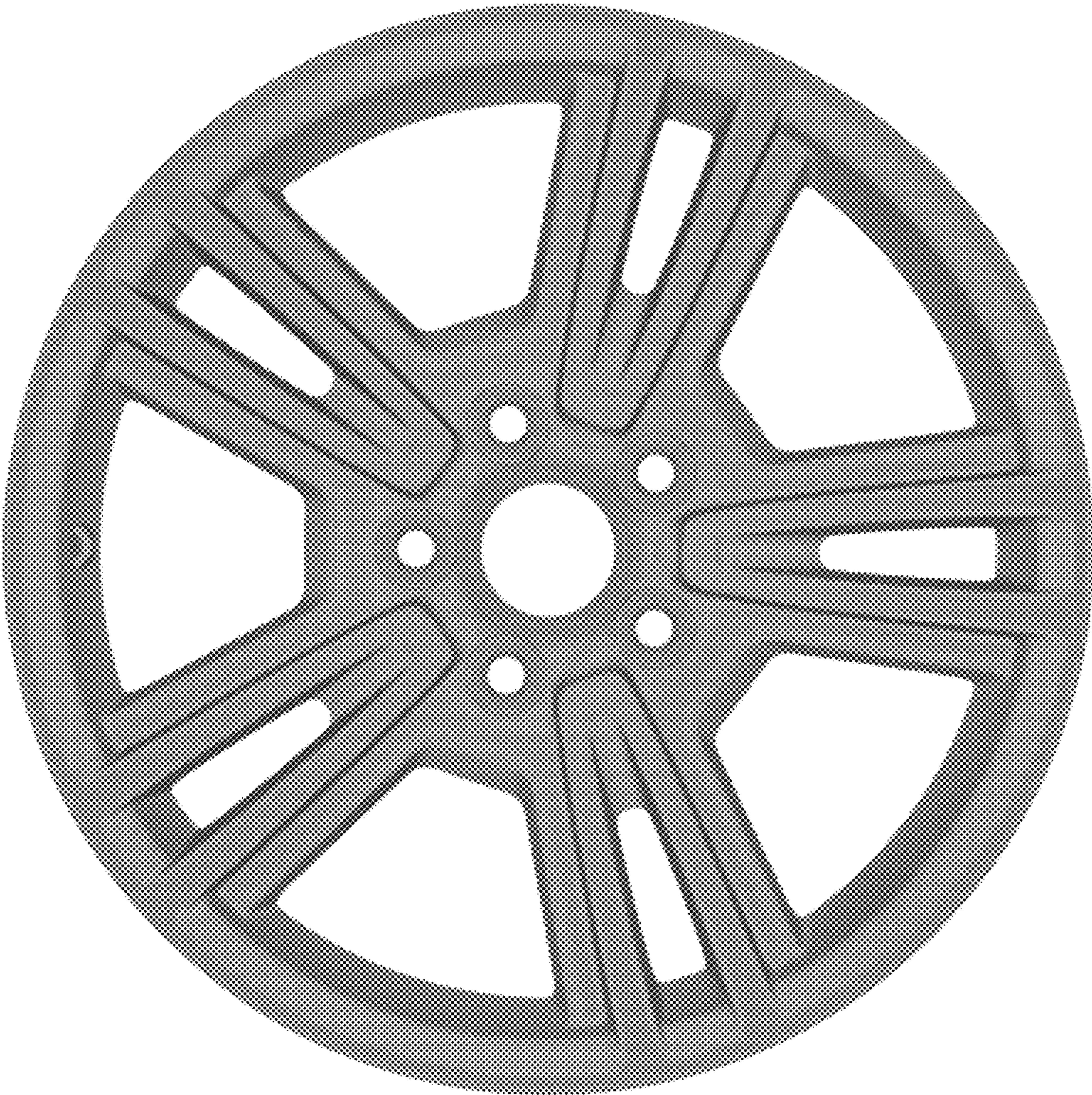
**DESCRIPTION**

FIG. 1 is a front view of a vehicle wheel; and,  
FIG. 2 is a perspective view of the vehicle wheel.

**1 Claim, 2 Drawing Sheets**

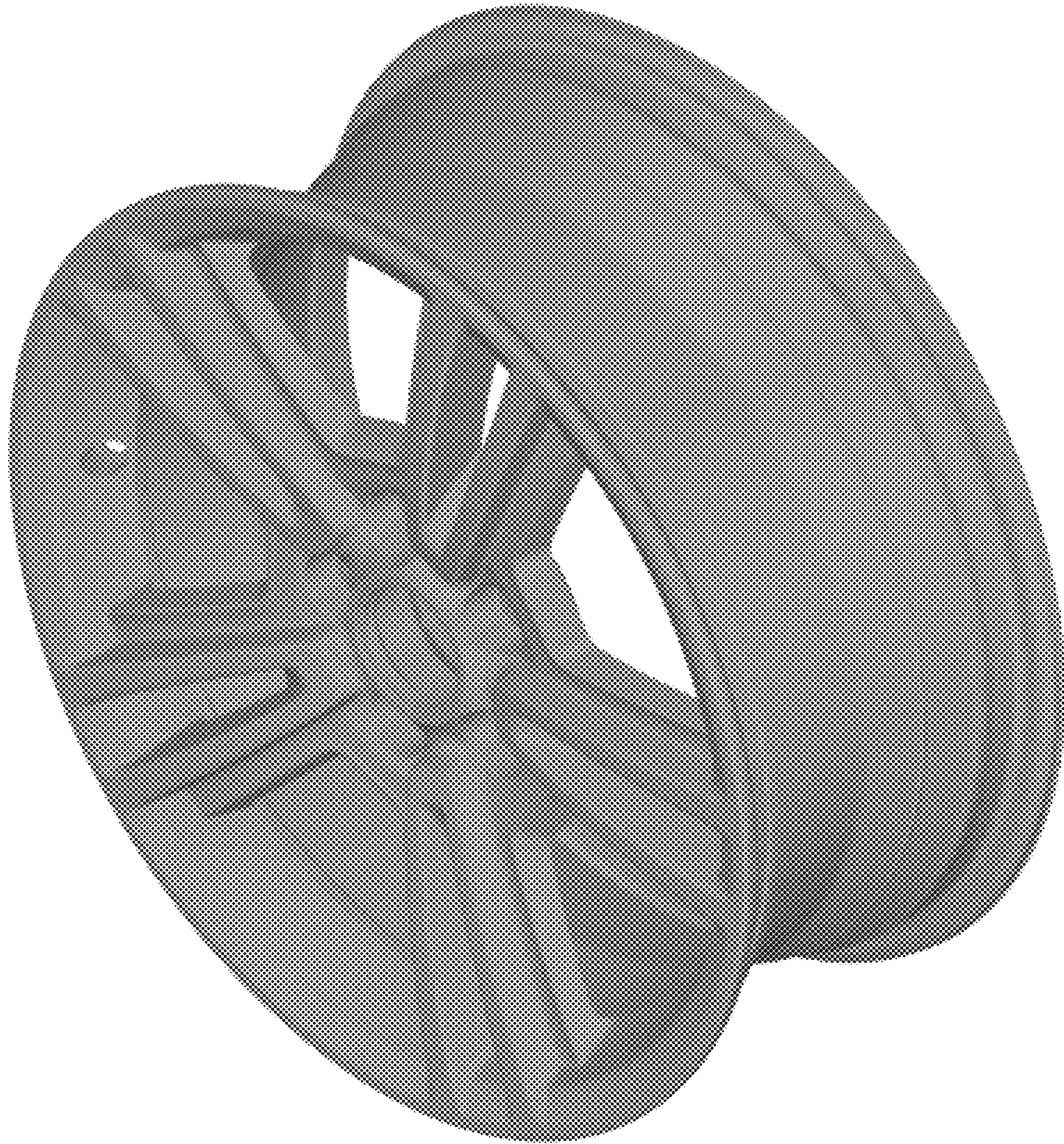






*Figure 1*





*Figure 2*