



US00D673101S

(12) **United States Design Patent**
Behmer et al.

(10) **Patent No.:** **US D673,101 S**

(45) **Date of Patent:** **** Dec. 25, 2012**

(54) **VEHICLE WHEEL**

(75) Inventors: **Darrell Paul Behmer**, Novi, MI (US);
Melvin Betancourt, Shelby Township,
MI (US); **Robert Gelardi**, Dearborn, MI
(US)

(73) Assignee: **Ford Motor Company**, Dearborn, MI
(US)

(**) Term: **14 Years**

(21) Appl. No.: **29/406,138**

(22) Filed: **Nov. 10, 2011**

(51) **LOC (9) Cl.** **12-16**

(52) **U.S. Cl.** **D12/211**

(58) **Field of Classification Search** D12/204-213;
301/37.101, 64.101, 65, 64.201

See application file for complete search history.

(56) **References Cited**

U.S. PATENT DOCUMENTS

D503,918 S *	4/2005	Fahr-Becker	D12/211
D567,167 S *	4/2008	Forster	D12/211
D594,396 S *	6/2009	Juergens et al.	D12/209
D606,477 S	12/2009	Geraldi		

D615,018 S *	5/2010	Truebsbach	D12/211
D625,235 S *	10/2010	Nissl	D12/209
D645,391 S *	9/2011	Weil	D12/209
D649,500 S *	11/2011	Baum	D12/209
D649,501 S *	11/2011	Platto et al.	D12/209
D660,768 S *	5/2012	De Bono	D12/211

OTHER PUBLICATIONS

All About Cars and Trucks, Aug. 17, 2011, 2013 Ford Mustang Spy Photos.

Car and Driver, undated, 2013 Ford Mustang Shelby GT500 (spy photo).

Motorauthority, Jun. 19, 2011, 2013 Ford Mustang Shelby GT500 spy shots.

* cited by examiner

Primary Examiner — Stacia Cadmus

(74) *Attorney, Agent, or Firm* — Damian Porcari

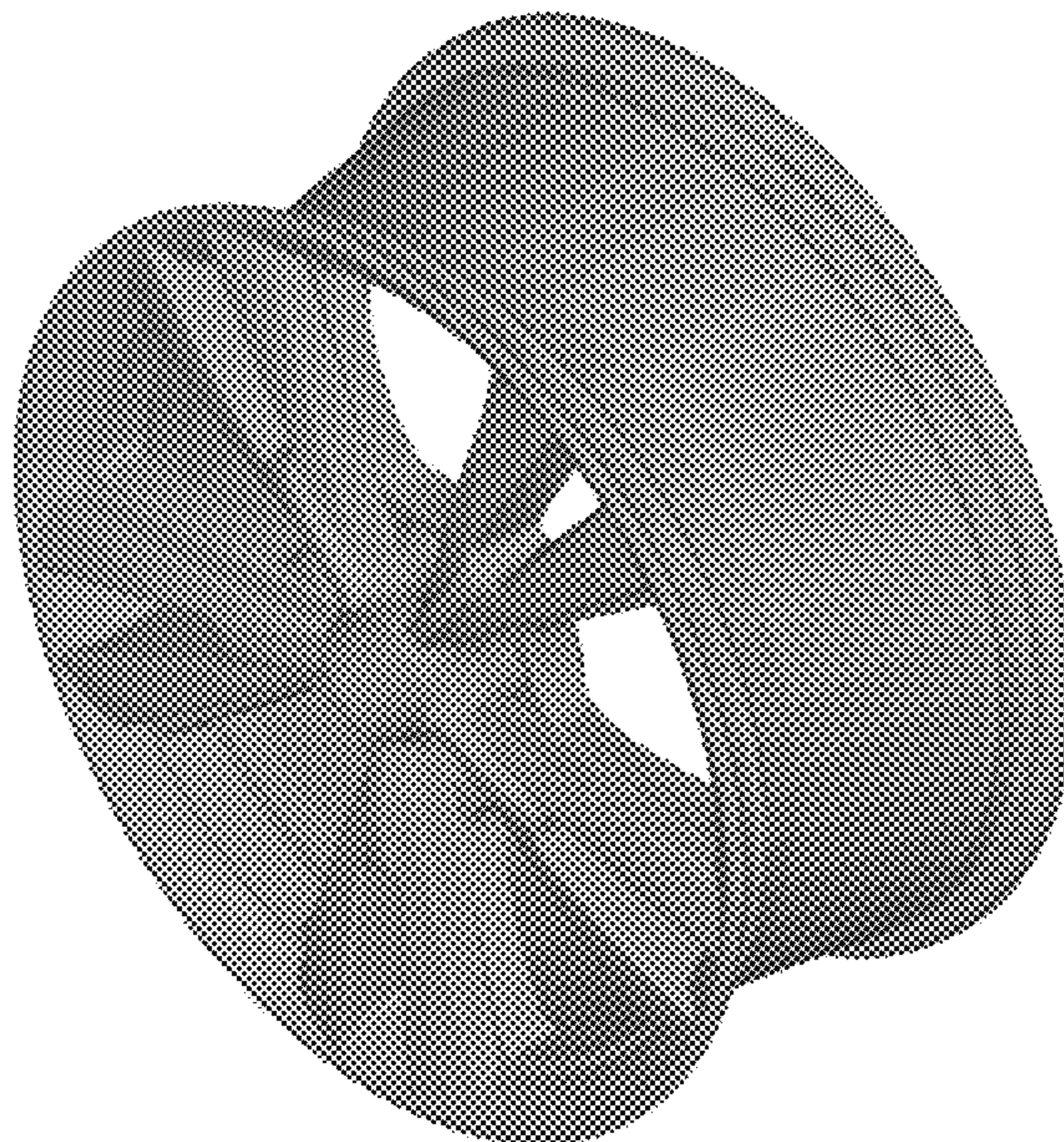
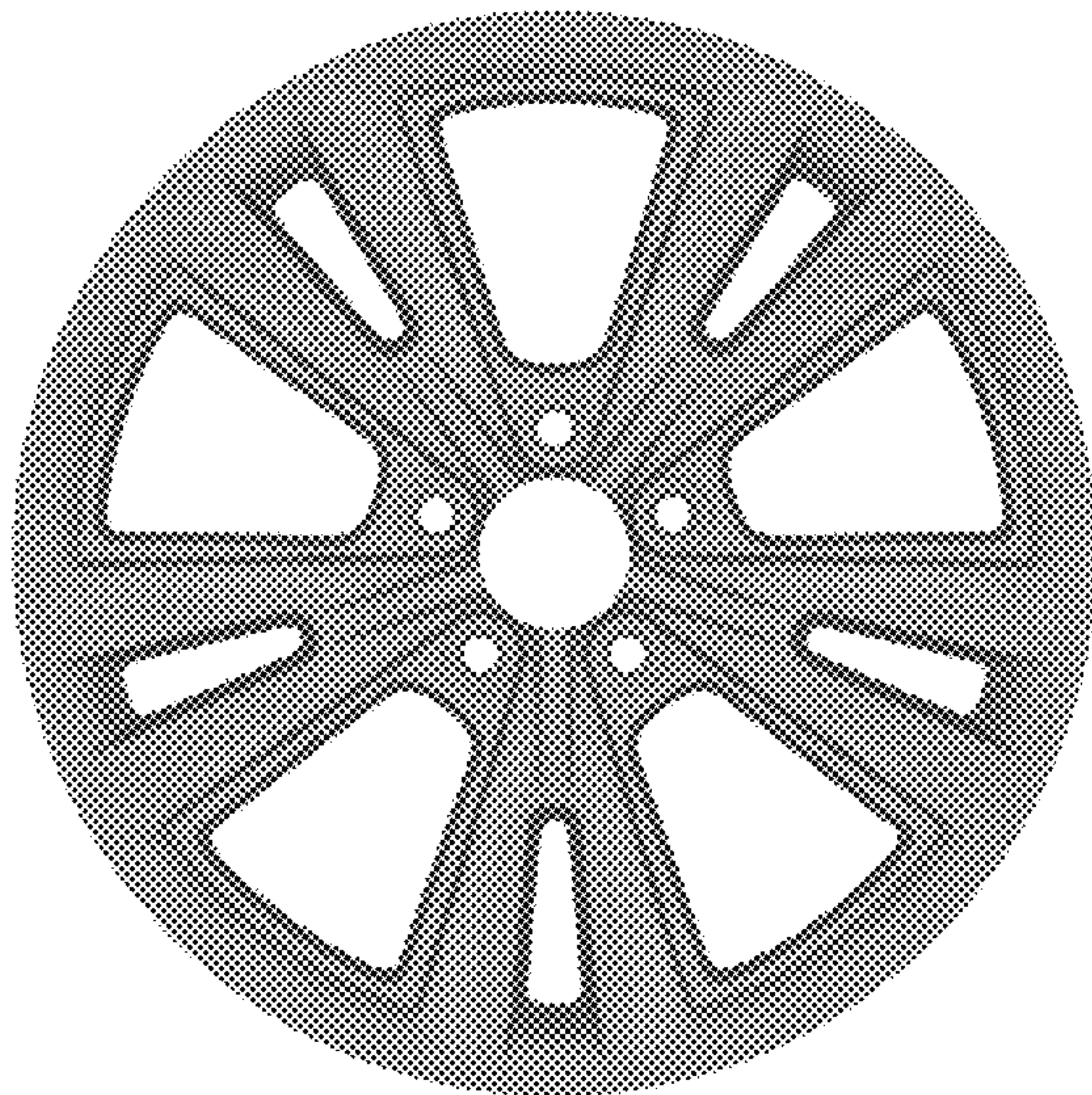
(57) **CLAIM**

The ornamental design for a vehicle wheel, as shown and described.

DESCRIPTION

FIG. 1 is a front view of a vehicle wheel; and,
FIG. 2 is a perspective view of the vehicle wheel.

1 Claim, 2 Drawing Sheets



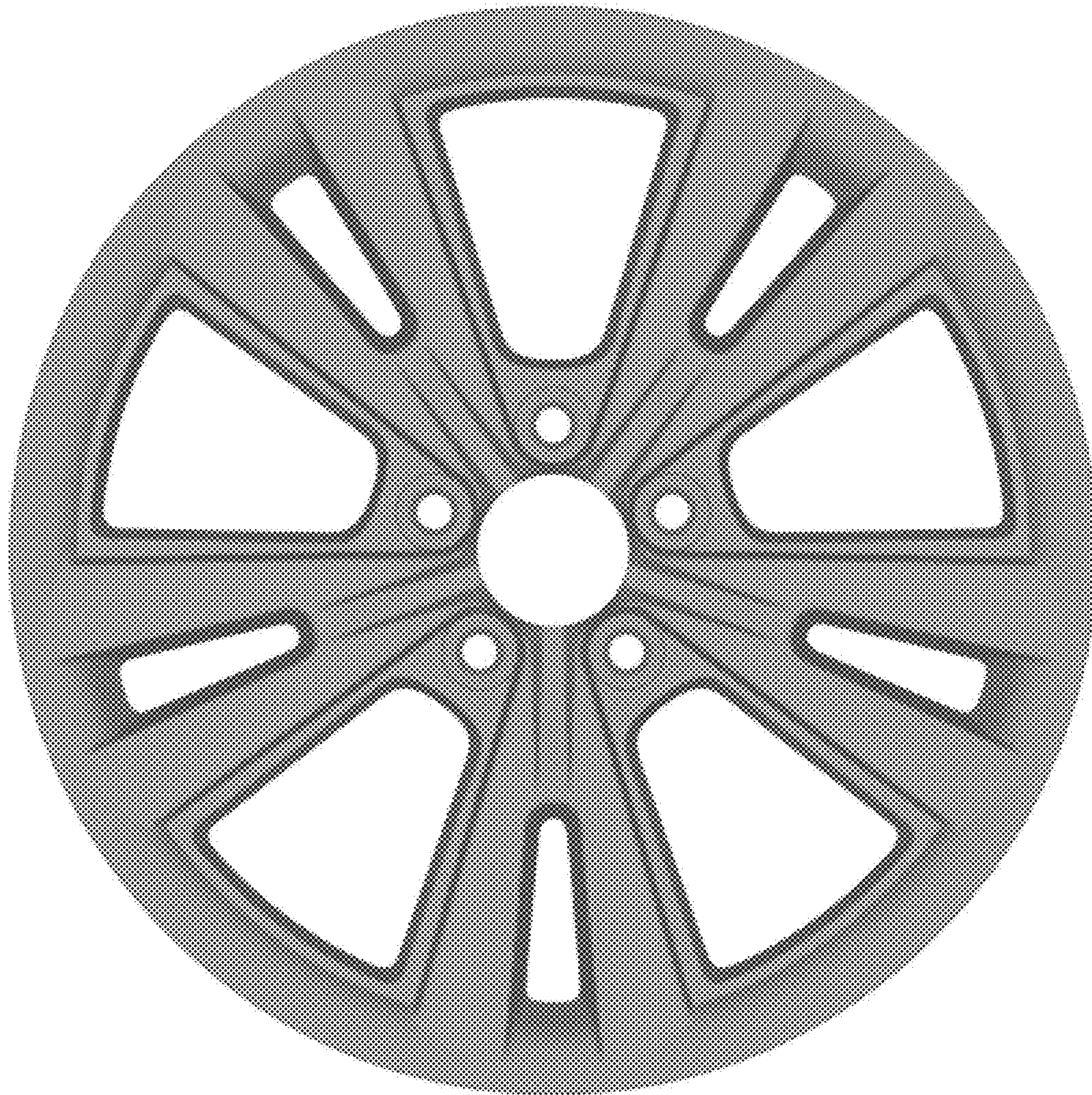


Figure 1

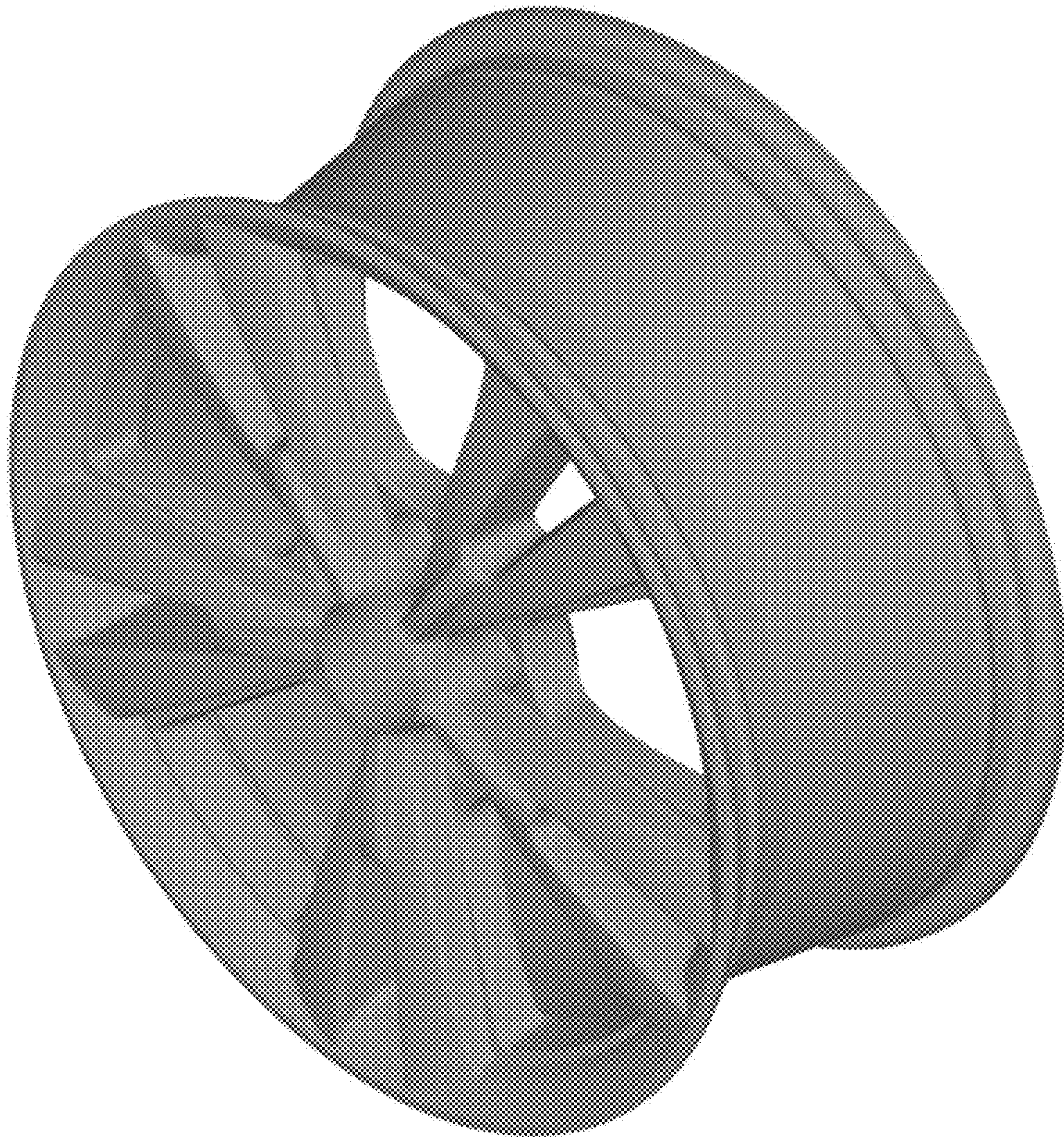


Figure 2