



US00D673100S

(12) **United States Design Patent**  
**Mueller-Stolz**

(10) **Patent No.:** **US D673,100 S**

(45) **Date of Patent:** **\*\* Dec. 25, 2012**

(54) **WHEEL OR WHEEL COVER**

(75) **Inventor:** **Dirk Mueller-Stolz, Munich (DE)**

(73) **Assignee:** **Bayerische Motoren Werke  
Aktiengesellschaft, Munich (DE)**

(\*\*) **Term:** **14 Years**

(21) **Appl. No.:** **29/401,761**

(22) **Filed:** **Sep. 15, 2011**

(30) **Foreign Application Priority Data**

Mar. 16, 2011 (DE) ..... 40 2011 001 500

(51) **LOC (9) Cl.** ..... **12-16**

(52) **U.S. Cl.** ..... **D12/211**

(58) **Field of Classification Search** ..... D12/204-213;  
301/37.101, 64.101, 65, 64.201  
See application file for complete search history.

(56) **References Cited**

**U.S. PATENT DOCUMENTS**

D453,134 S *	1/2002	Murkett et al. ....	D12/209
D486,769 S *	2/2004	Gallert .....	D12/209
D506,717 S *	6/2005	Gallert .....	D12/209
D522,430 S	6/2006	Nordmann	
D524,220 S *	7/2006	Scheu .....	D12/211
D533,826 S *	12/2006	Scheu .....	D12/211
D538,730 S	3/2007	Thurner	
D567,167 S	4/2008	Forster	
D594,802 S *	6/2009	Gustafsson .....	D12/211

D608,713 S *	1/2010	Bucher et al. ....	D12/209
D623,115 S *	9/2010	Juergens et al. ....	D12/211
D629,346 S *	12/2010	Szews .....	D12/211
D638,771 S *	5/2011	Chung .....	D12/211
D644,588 S *	9/2011	Schweizer .....	D12/211
D649,503 S *	11/2011	Platto et al. ....	D12/206

**FOREIGN PATENT DOCUMENTS**

DE	M8908658.9	8/1990
EM	000213335-0004	11/2004
EM	000226436-0003	11/2004
EM	000511639-0002	6/2006
EM	000573753-0001	9/2006
EM	000735758-0006	7/2007
EM	001674441-0009	12/2010

\* cited by examiner

*Primary Examiner* — Stacia Cadmus

(74) *Attorney, Agent, or Firm* — Crowell & Moring LLP

(57) **CLAIM**

The ornamental design for a wheel or wheel cover, as shown and described.

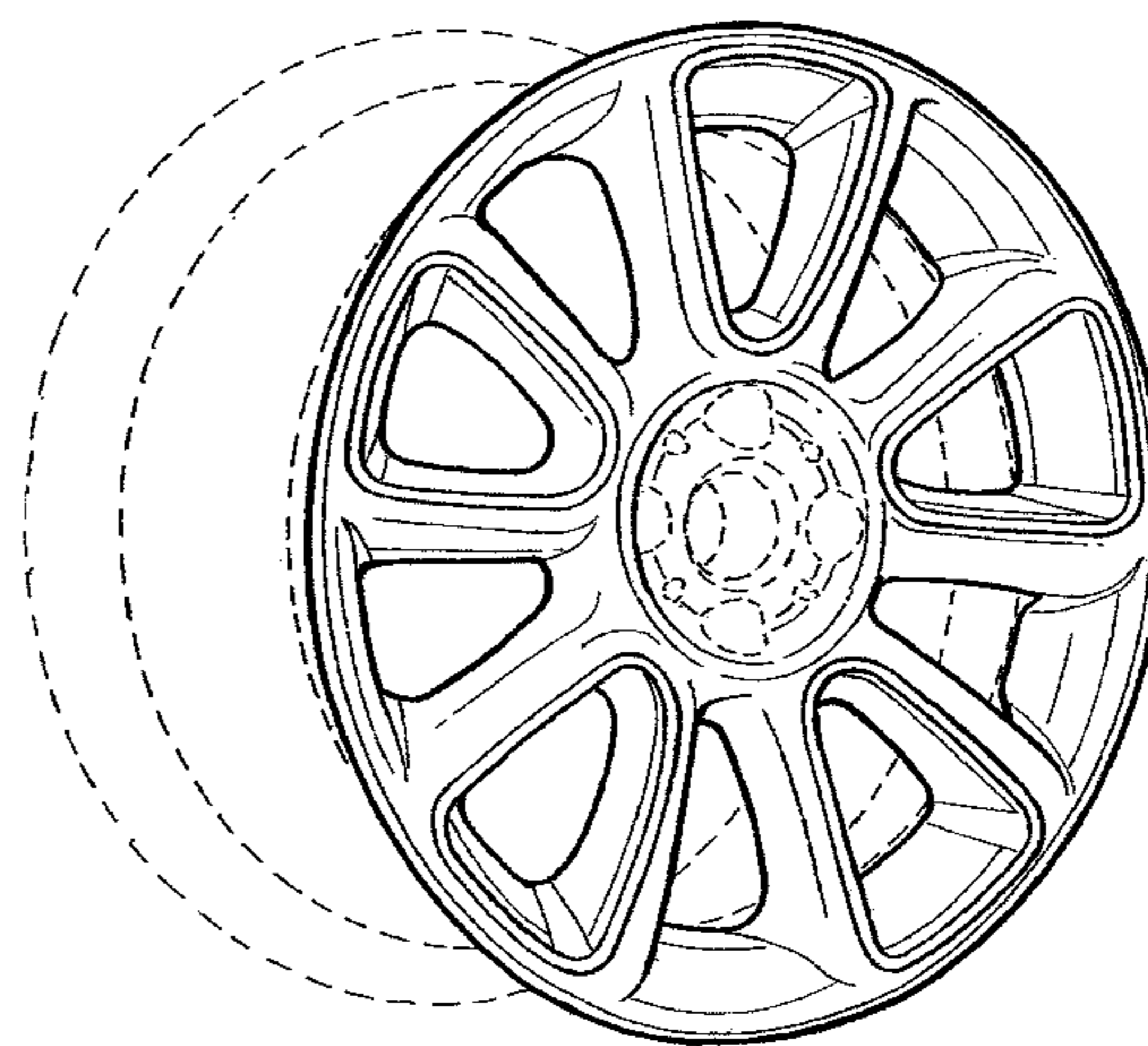
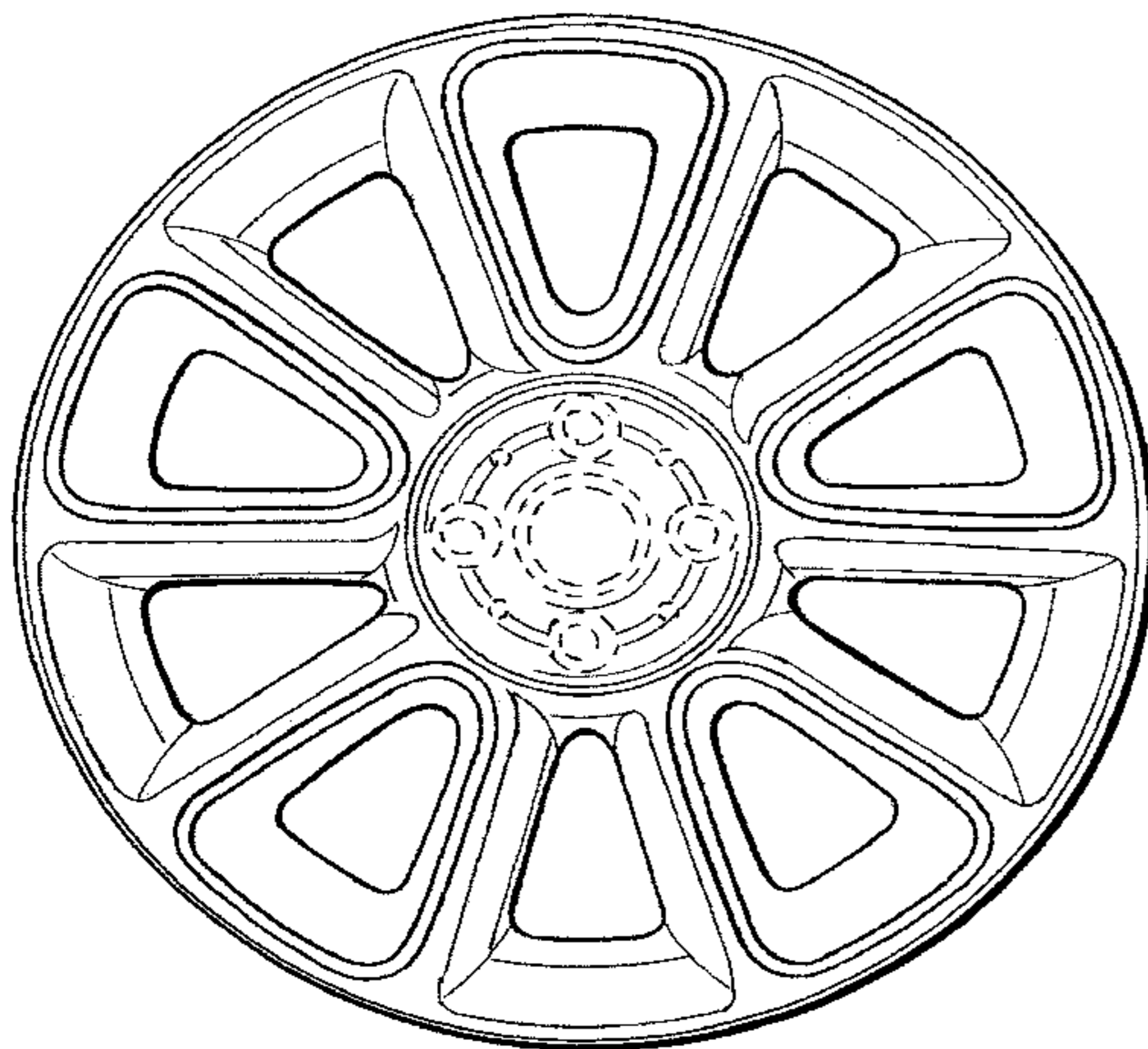
**DESCRIPTION**

FIG. 1 is a front view of a wheel or wheel cover according to my design; and,

FIG. 2 is a perspective view thereof.

The broken line showing of the rear of the wheel, and the bolt holes and center opening in the central hub area is included for the purpose of illustrating environment and forms no part of the claimed design.

**1 Claim, 1 Drawing Sheet**



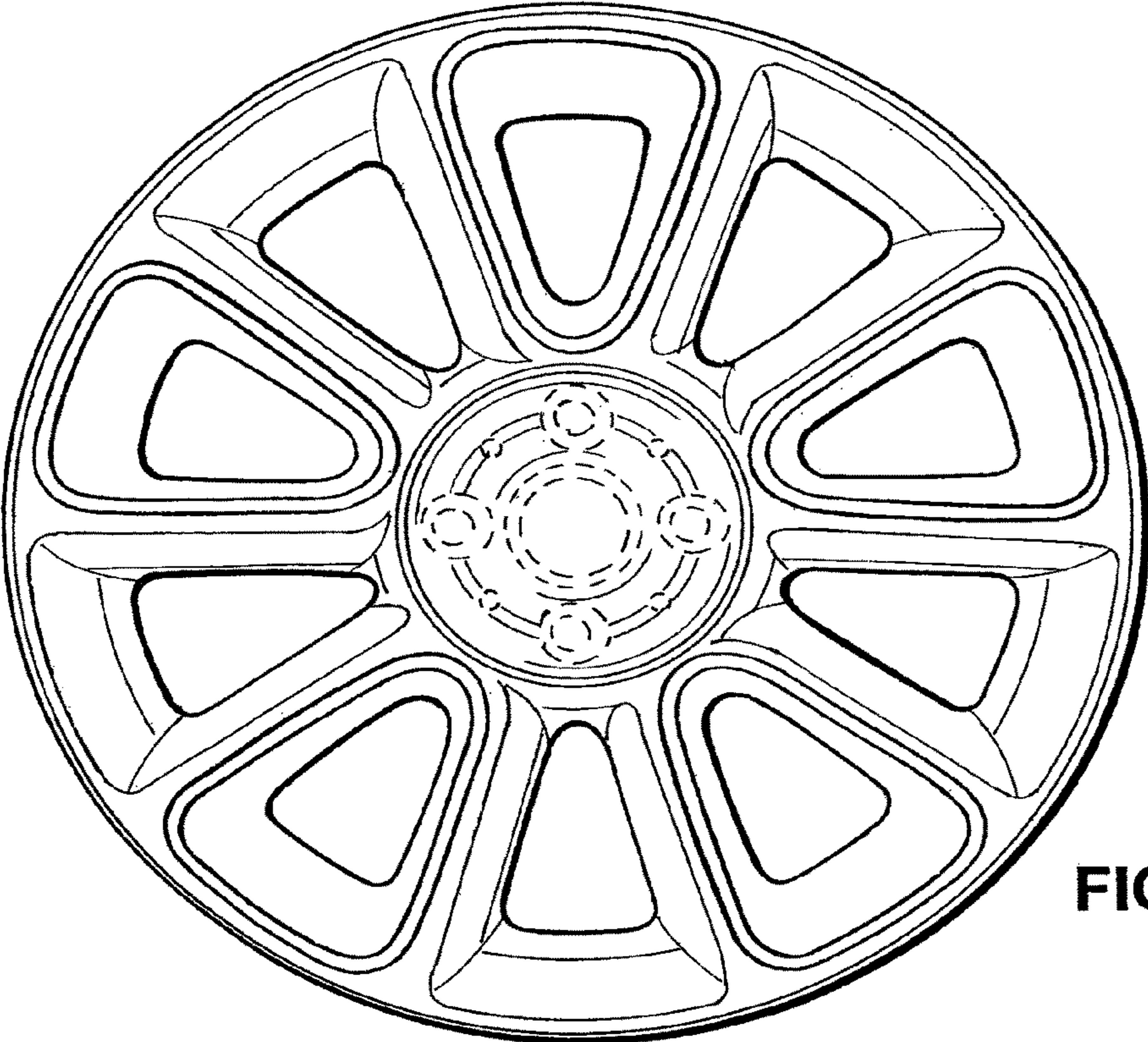


FIG. 1

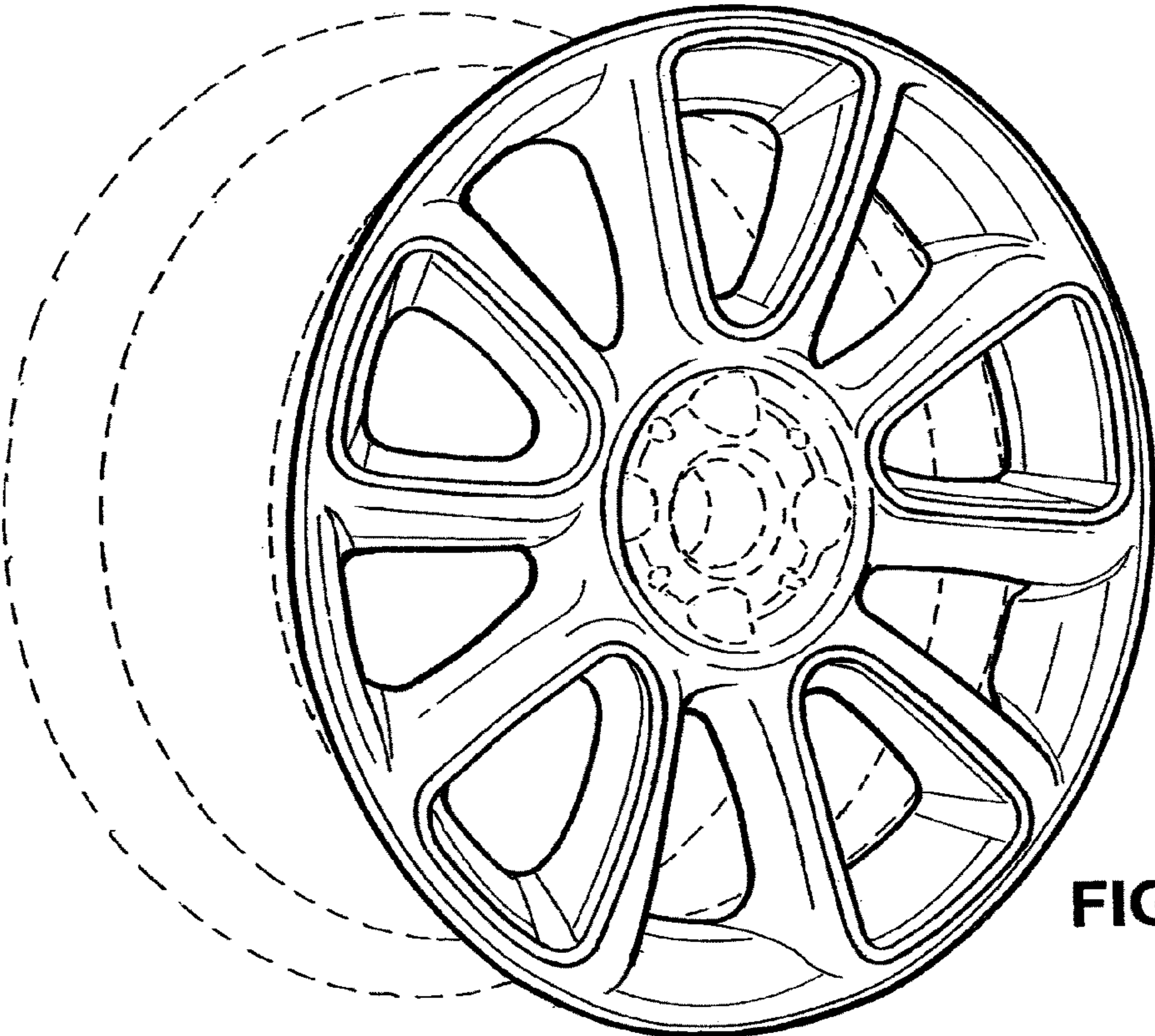


FIG. 2