



US00D673098S

(12) **United States Design Patent**  
**Fetherston**

(10) **Patent No.:** **US D673,098 S**

(45) **Date of Patent:** **\*\* Dec. 25, 2012**

(54) **WHEEL OR WHEEL COVER**

(75) Inventor: **Mark Fetherston**, Stuttgart (DE)

(73) Assignee: **Daimler AG**, Stuttgart (DE)

(\*\*) Term: **14 Years**

(21) Appl. No.: **29/392,475**

(22) Filed: **May 23, 2011**

(30) **Foreign Application Priority Data**

Nov. 24, 2010 (EM) ..... 001785189-0001

(51) **LOC (9) Cl.** ..... **12-16**

(52) **U.S. Cl.** ..... **D12/211**

(58) **Field of Classification Search** ..... D12/204-213;  
301/37.101, 64.101, 65, 64.201  
See application file for complete search history.

(56) **References Cited**

**U.S. PATENT DOCUMENTS**

D457,478 S \* 5/2002 Minamisawa ..... D12/211  
D521,438 S \* 5/2006 Nordmann ..... D12/211

D532,356 S \* 11/2006 Bernoni ..... D12/211  
D593,020 S \* 5/2009 Blasi ..... D12/211  
D594,397 S \* 6/2009 Laengerer ..... D12/211  
D608,715 S \* 1/2010 Bucher et al. .... D12/211  
D625,675 S \* 10/2010 Juergens et al. .... D12/209  
D626,053 S \* 10/2010 Groom ..... D12/211  
D644,977 S \* 9/2011 Juergens et al. .... D12/211  
D663,670 S \* 7/2012 Juergens et al. .... D12/211

\* cited by examiner

*Primary Examiner* — Stacia Cadmus

(74) *Attorney, Agent, or Firm* — Crowell & Moring LLP

(57) **CLAIM**

The ornamental design for a wheel or wheel cover, as shown and described.

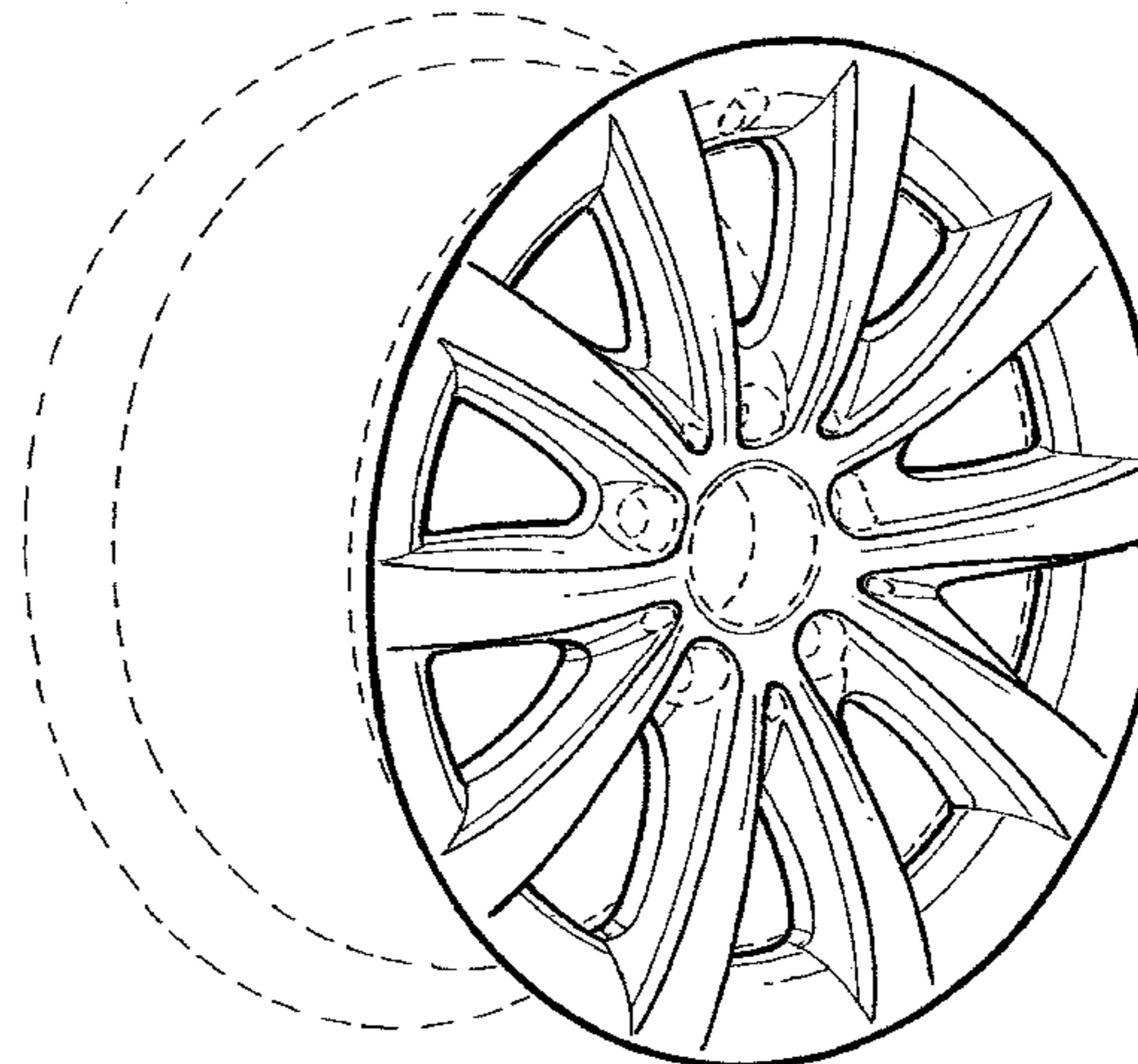
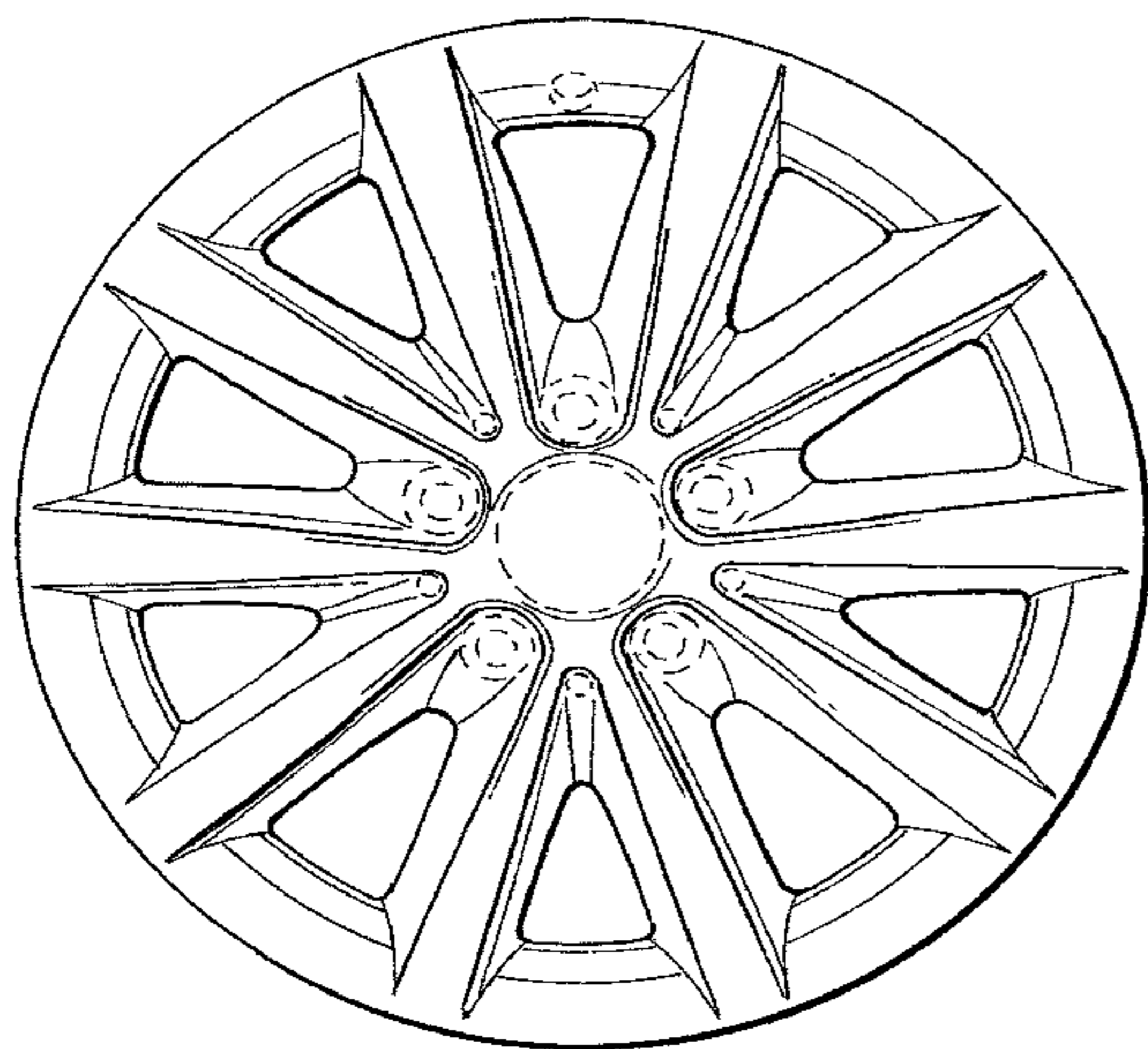
**DESCRIPTION**

FIG. 1 is a front view of a wheel or wheel cover according to my design; and,

FIG. 2 is a perspective view thereof.

The broken line showing of the rear of the wheel, the valve stem hole and the bolt holes and center opening in the central hub area is included for the purpose of illustrating environment and forms no part of the claimed design.

**1 Claim, 1 Drawing Sheet**



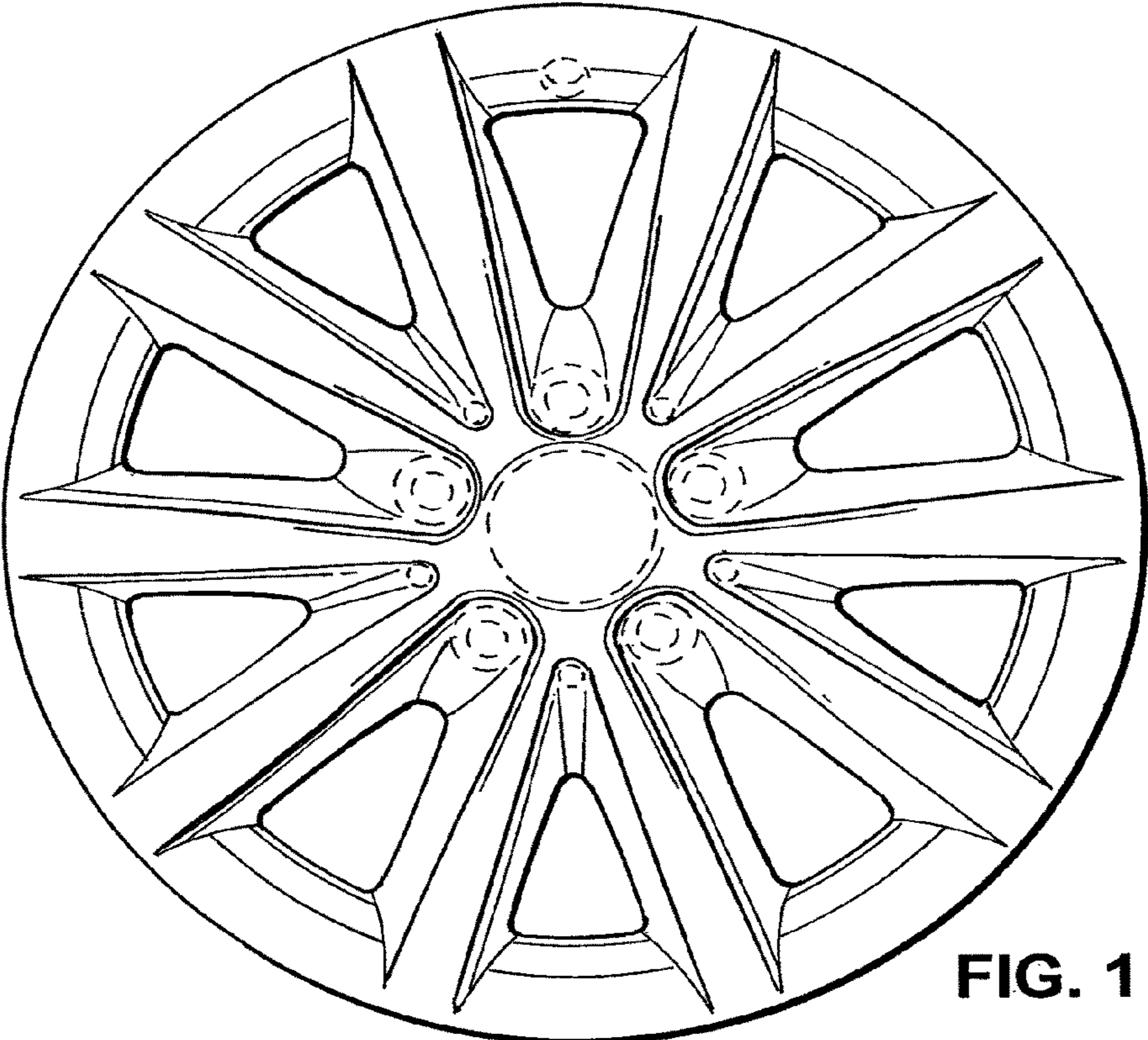


FIG. 1

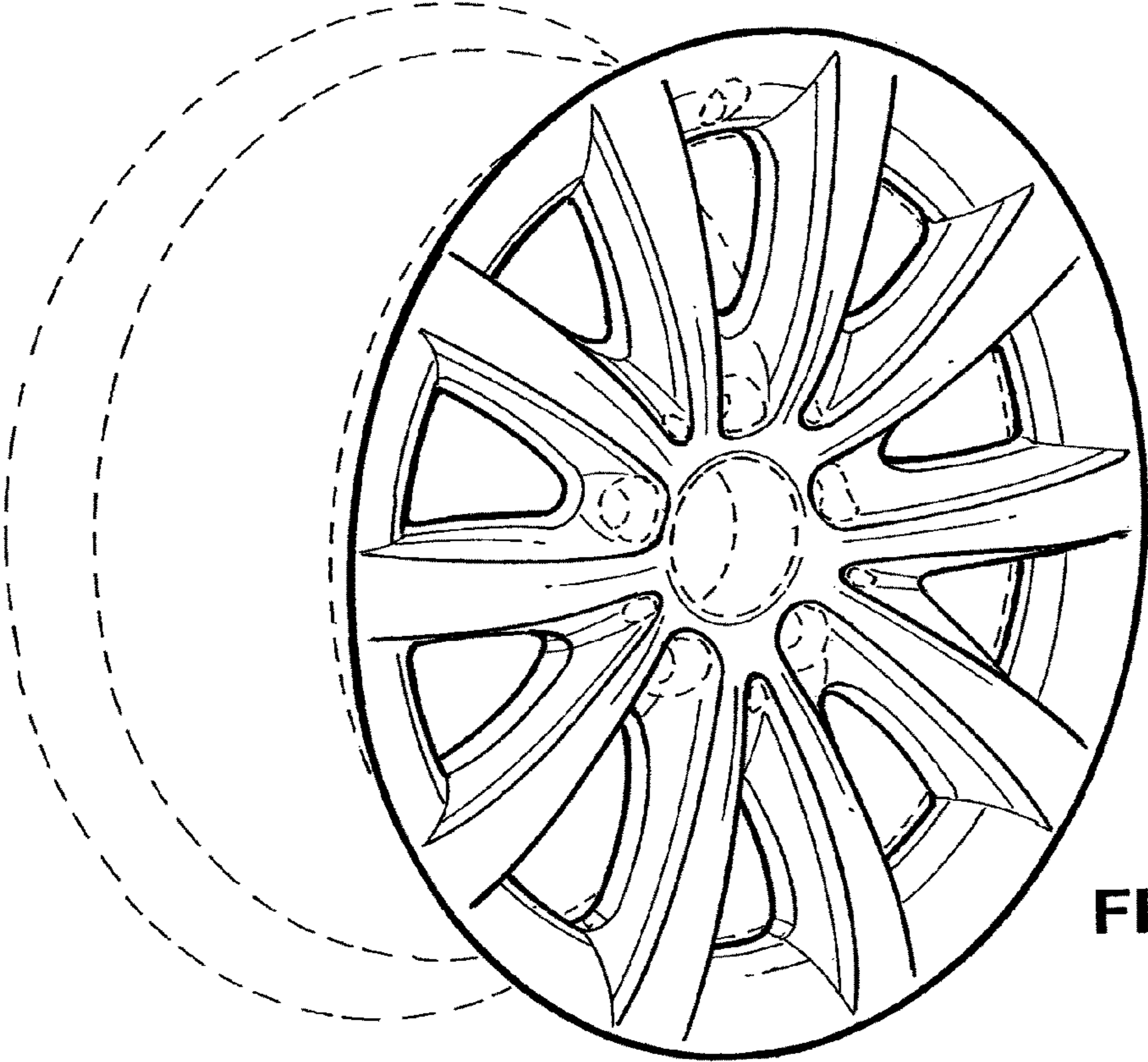


FIG. 2