



US00D673096S

(12) **United States Design Patent**  
**Platto et al.**

(10) **Patent No.:** **US D673,096 S**

(45) **Date of Patent:** **\*\* Dec. 25, 2012**

(54) **VEHICLE WHEEL**

(75) Inventors: **Gordon M. Platto**, Troy, MI (US);  
**Bradley Alan Richards**, Bloomfield  
Hills, MI (US); **Shawn Sung Yu**,  
Shanghai (CN); **Timothy Doyle**, Royal  
Oak, MI (US); **Amy Kim**, New York,  
NY (US)

(73) Assignee: **Ford Motor Company**, Dearborn, MI  
(US)

(\*\*) Term: **14 Years**

(21) Appl. No.: **29/411,529**

(22) Filed: **Jan. 23, 2012**

(51) **LOC (9) Cl.** ..... **12-16**

(52) **U.S. Cl.** ..... **D12/209**

(58) **Field of Classification Search** ..... D12/204-213;  
301/37.101, 64.101, 65, 64.201

See application file for complete search history.

(56) **References Cited**

U.S. PATENT DOCUMENTS

D419,946 S *	2/2000	Goplen .....	D12/211
D524,220 S *	7/2006	Scheu .....	D12/211
D526,610 S *	8/2006	Muzzarelli .....	D12/211
D528,063 S *	9/2006	Schell .....	D12/211
D540,238 S *	4/2007	Sycha .....	D12/209
D581,853 S *	12/2008	Rak .....	D12/211
D590,319 S *	4/2009	Juergens et al. ....	D12/211
D597,919 S *	8/2009	Atwell .....	D12/211
D612,790 S *	3/2010	Tant et al. ....	D12/211
D639,714 S *	6/2011	Baum .....	D12/209

\* cited by examiner

*Primary Examiner* — Stacia Cadmus

(74) *Attorney, Agent, or Firm* — Damian Porcari

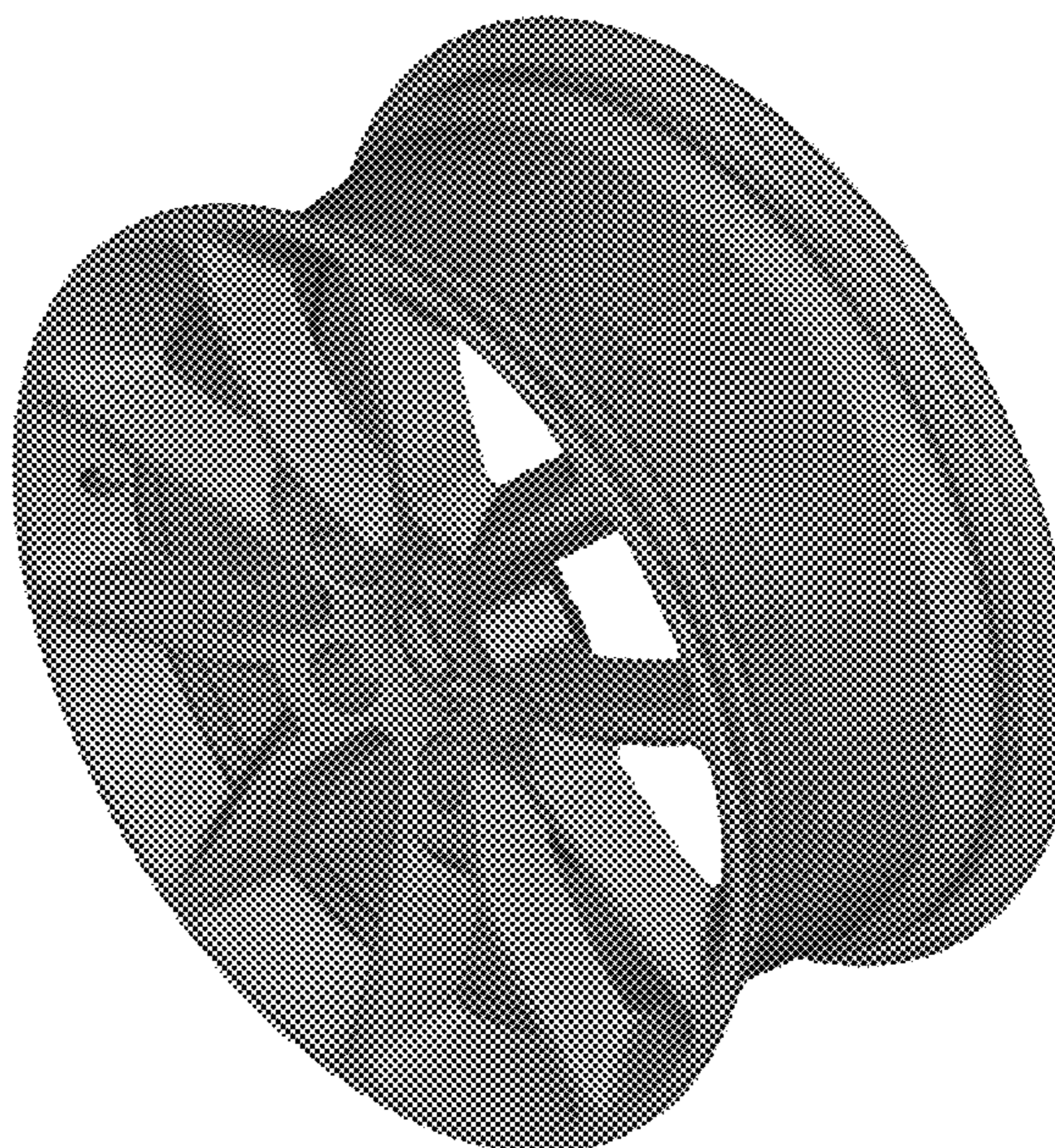
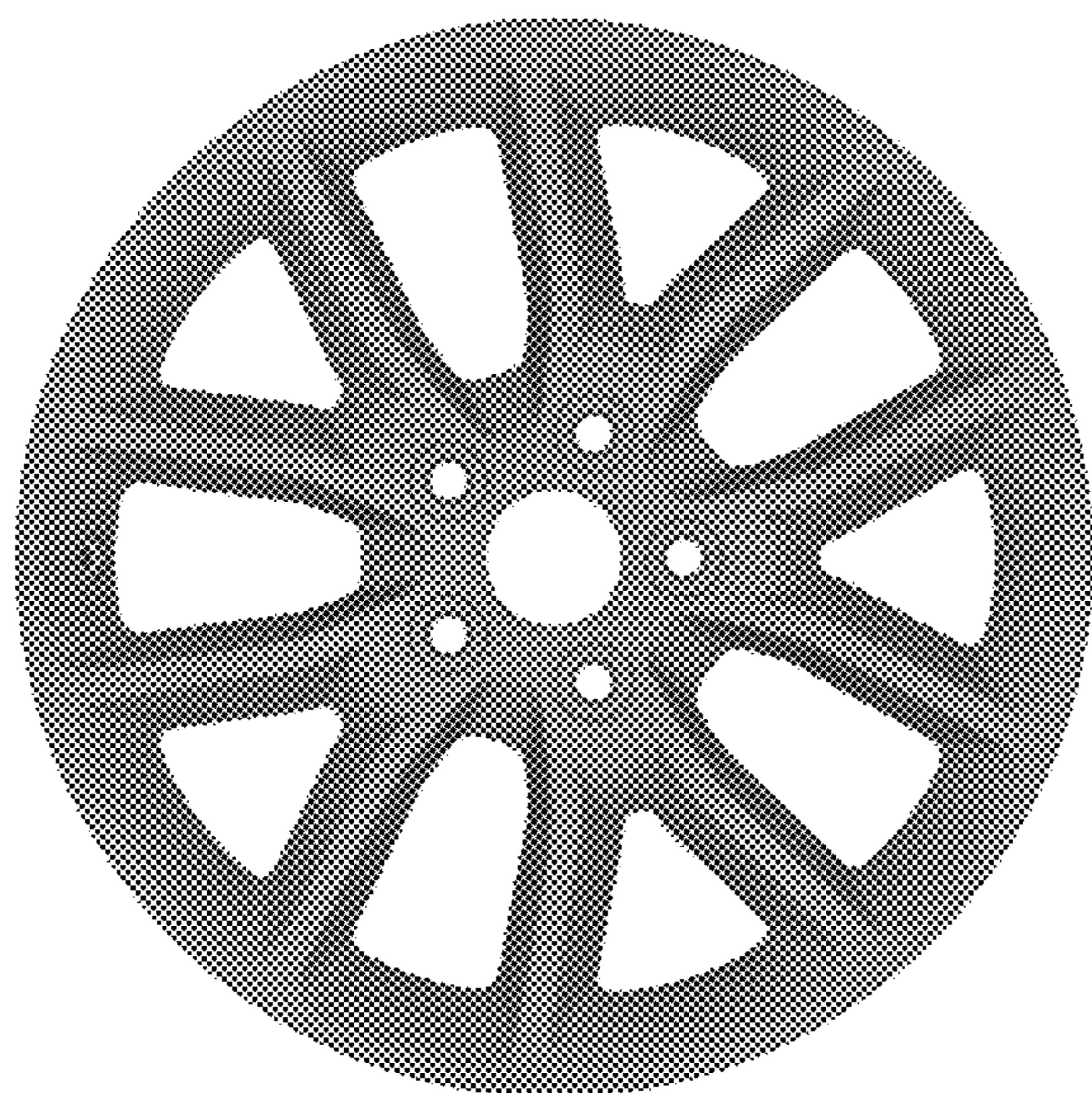
(57) **CLAIM**

The ornamental design for a vehicle wheel, as shown and described.

**DESCRIPTION**

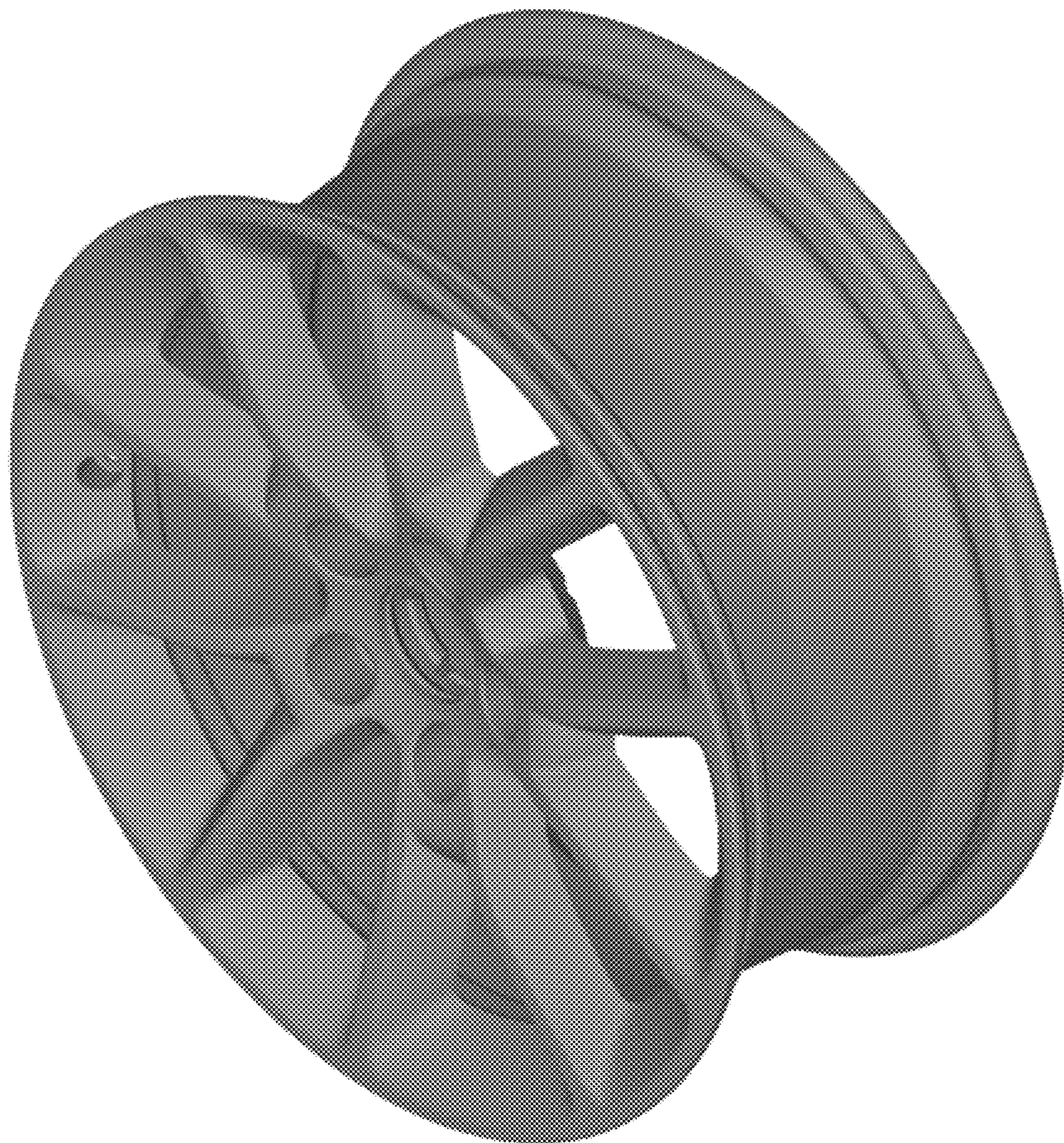
FIG. 1 is a front view of a vehicle wheel; and,  
FIG. 2 is a perspective view of the vehicle wheel.

**1 Claim, 2 Drawing Sheets**





*Figure 1*



*Figure 2*