



US00D673093S

(12) **United States Design Patent**
Platto et al.

(10) **Patent No.:** **US D673,093 S**
(45) **Date of Patent:** **** Dec. 25, 2012**

(54) **VEHICLE WHEEL**

(75) Inventors: **Gordon M Platto**, Troy, MI (US); **Earl Clyde Lucas**, Brentwood (GB); **Dong Park**, Royal Oak, MI (US)

(73) Assignee: **Ford Motor Company**, Dearborn, MI (US)

(**) Term: **14 Years**

(21) Appl. No.: **29/393,591**

(22) Filed: **Jun. 7, 2011**

(51) **LOC (9) Cl.** **12-16**

(52) **U.S. Cl.** **D12/209**

(58) **Field of Classification Search** D12/204-213;
301/37.101, 64.101, 65, 64.201
See application file for complete search history.

(56) **References Cited**

U.S. PATENT DOCUMENTS

D504,648 S * 5/2005 Pfeiffer D12/209
D538,216 S * 3/2007 Sycha D12/209

D587,181 S * 2/2009 Musser D12/209
D613,657 S * 4/2010 Cortes D12/209
D614,558 S * 4/2010 Luciani et al. D12/209
D635,904 S * 4/2011 Futschik et al. D12/209
D645,391 S * 9/2011 Weil D12/209
D649,501 S * 11/2011 Platto et al. D12/209
D649,503 S * 11/2011 Platto et al. D12/209
D664,081 S * 7/2012 Muller D12/209

OTHER PUBLICATIONS

Ford Taurus, New York International Auto Show, Apr. 25, 2011.

* cited by examiner

Primary Examiner — Stacia Cadmus

(74) *Attorney, Agent, or Firm* — Damian Porcari

(57) **CLAIM**

The ornamental design for a vehicle wheel, as shown and described.

DESCRIPTION

FIG. 1 is a front view of a vehicle wheel; and, FIG. 2 is a perspective view of the vehicle wheel.

1 Claim, 2 Drawing Sheets

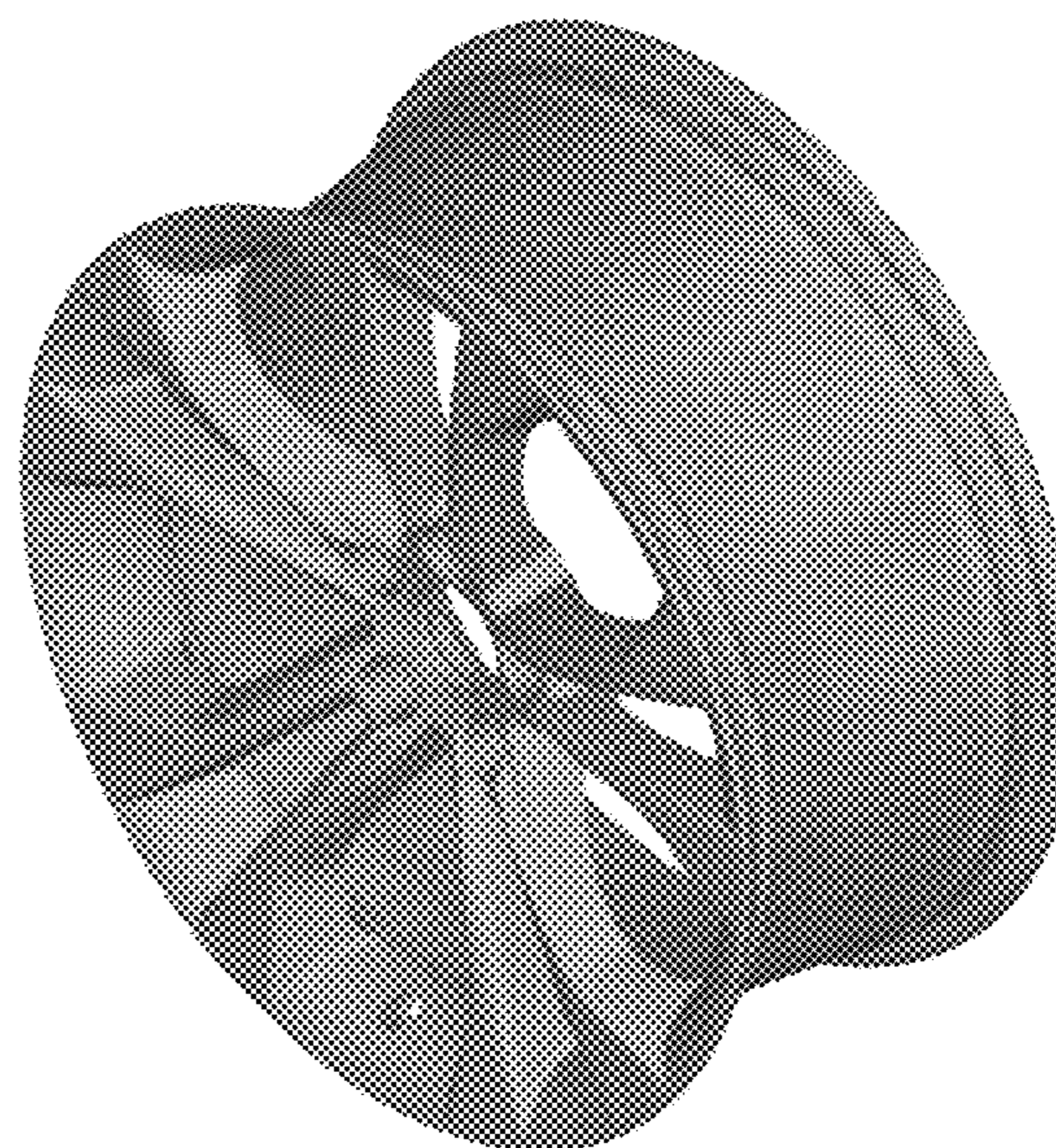
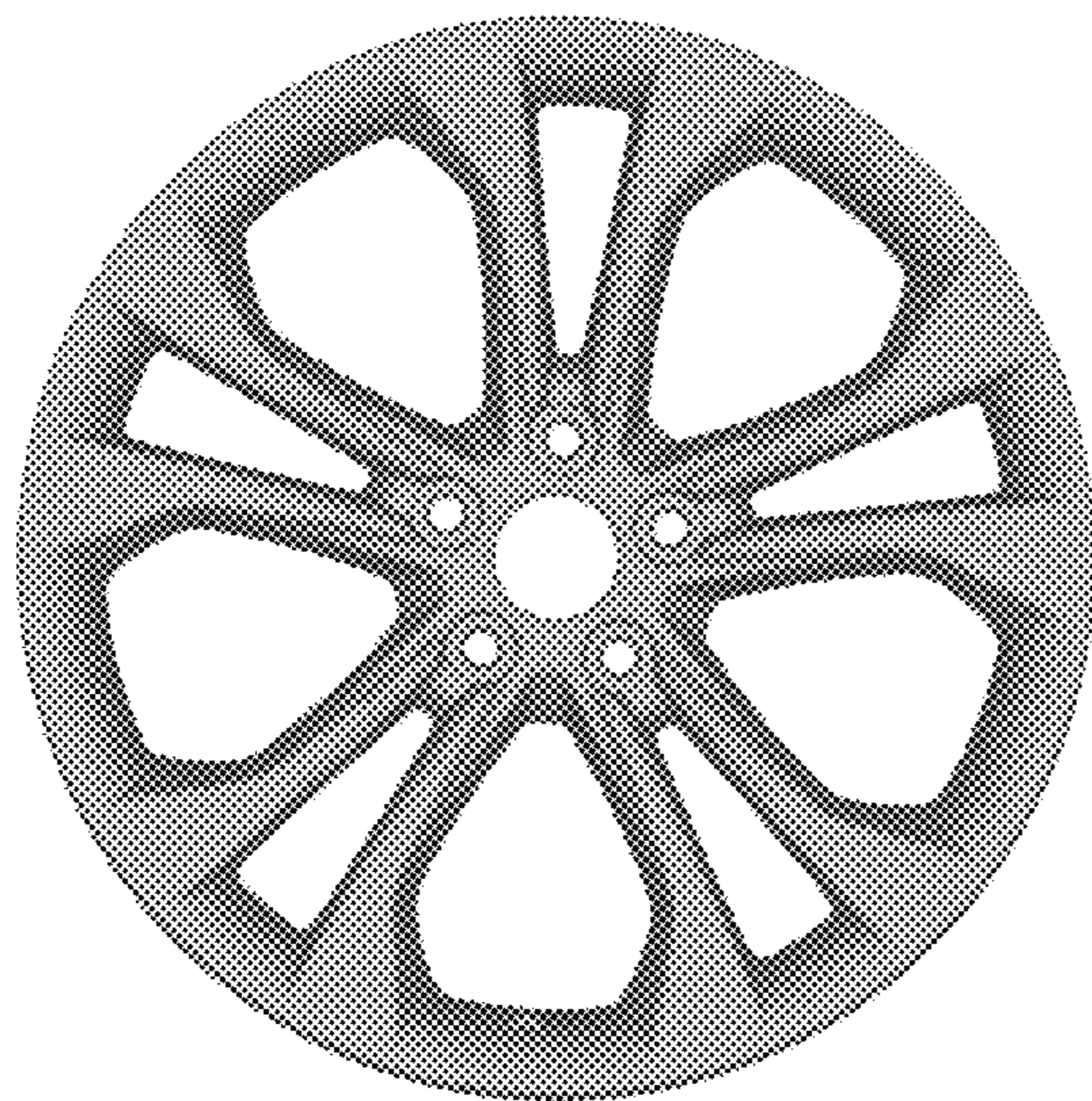




Figure 1

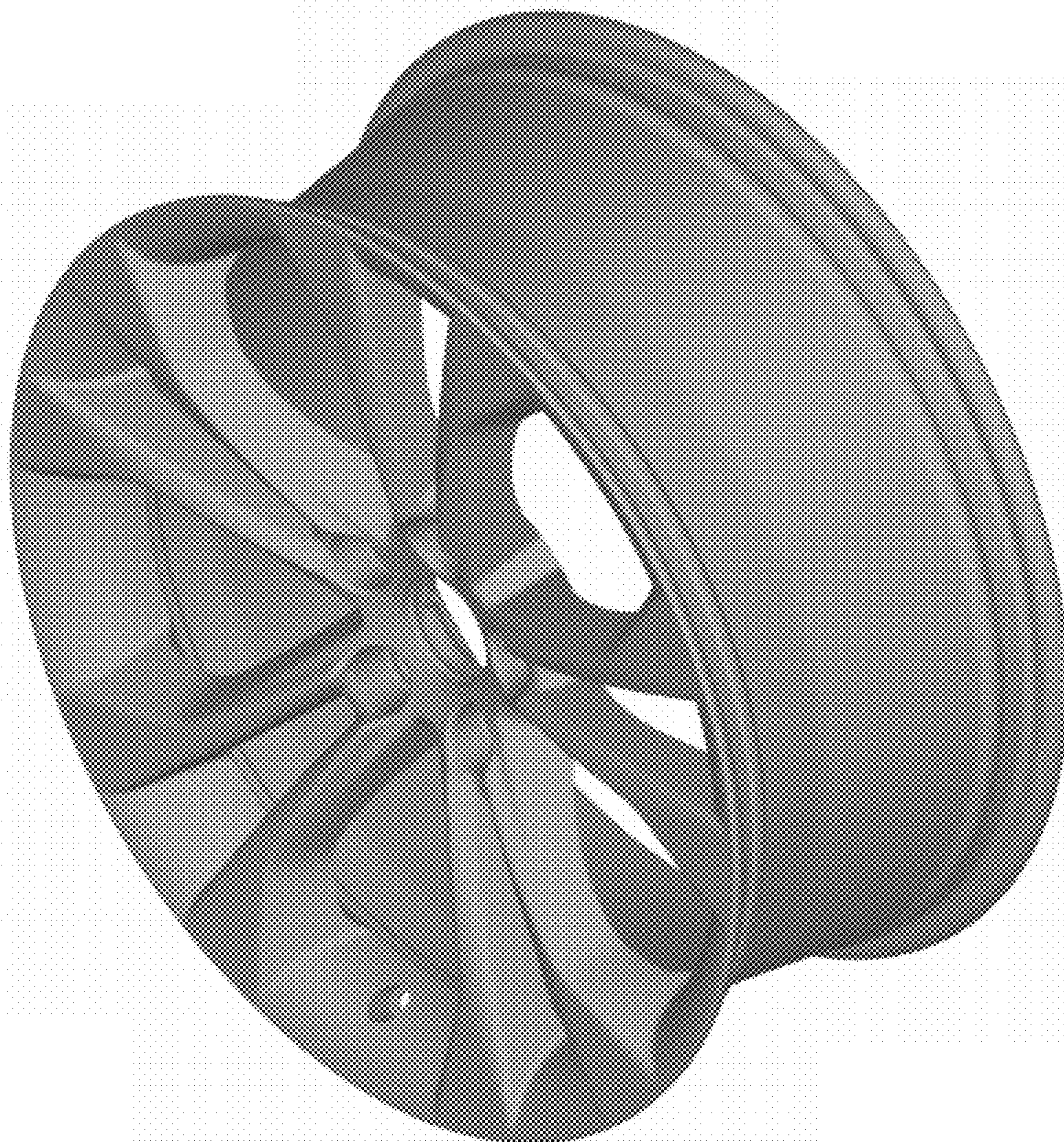


Figure 2