



US00D673092S

(12) **United States Design Patent**  
**Platto et al.**

(10) **Patent No.:** **US D673,092 S**  
(45) **Date of Patent:** **\*\* Dec. 25, 2012**

(54) **VEHICLE WHEEL**

(75) Inventors: **Gordon M Platto**, Troy, MI (US); **Earl Clyde Lucas**, Brentwood (GB); **Dong Park**, Royal Oak, MI (US)

(73) Assignee: **Ford Motor Company**, Dearborn, MI (US)

(\*\*) Term: **14 Years**

(21) Appl. No.: **29/393,588**

(22) Filed: **Jun. 7, 2011**

(51) **LOC (9) Cl.** ..... **12-16**

(52) **U.S. Cl.** ..... **D12/209**

(58) **Field of Classification Search** ..... D12/204-213;  
301/37.101, 64.101, 65, 64.201

See application file for complete search history.

(56) **References Cited**

**U.S. PATENT DOCUMENTS**

D402,251 S \* 12/1998 Timm ..... D12/211  
D457,478 S \* 5/2002 Minamisawa ..... D12/211

D539,724 S \* 4/2007 Muzzarelli ..... D12/211  
D597,919 S \* 8/2009 Atwell ..... D12/211  
D620,862 S \* 8/2010 Pollmann ..... D12/209  
D639,714 S \* 6/2011 Baum ..... D12/209  
D649,103 S \* 11/2011 Gallert ..... D12/211  
D663,668 S \* 7/2012 Pollmann ..... D12/209

**OTHER PUBLICATIONS**

Ford Taurus, New York International Auto Show, Apr. 25, 2011.

\* cited by examiner

*Primary Examiner* — Stacia Cadmus

(74) *Attorney, Agent, or Firm* — Damian Porcari

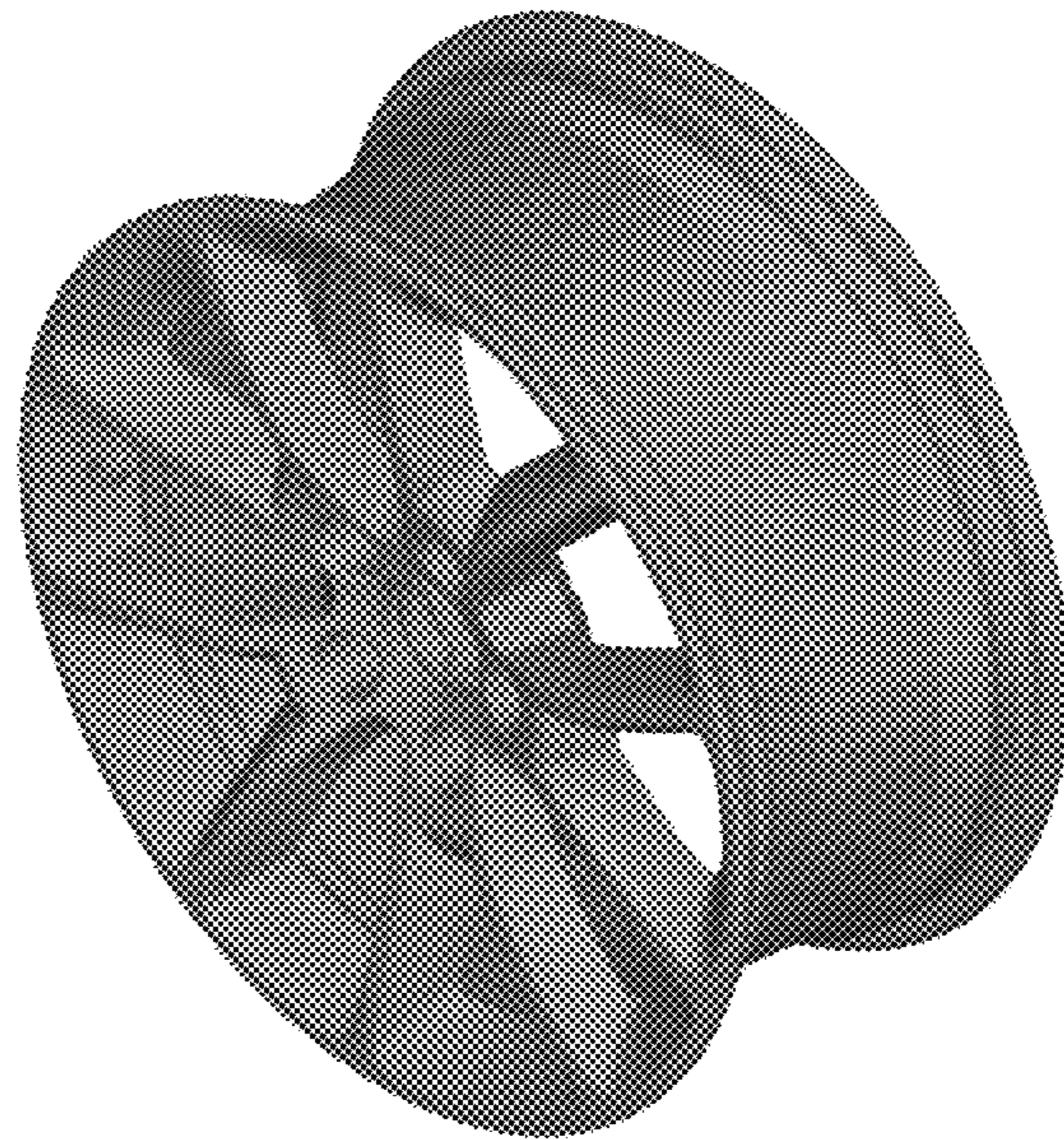
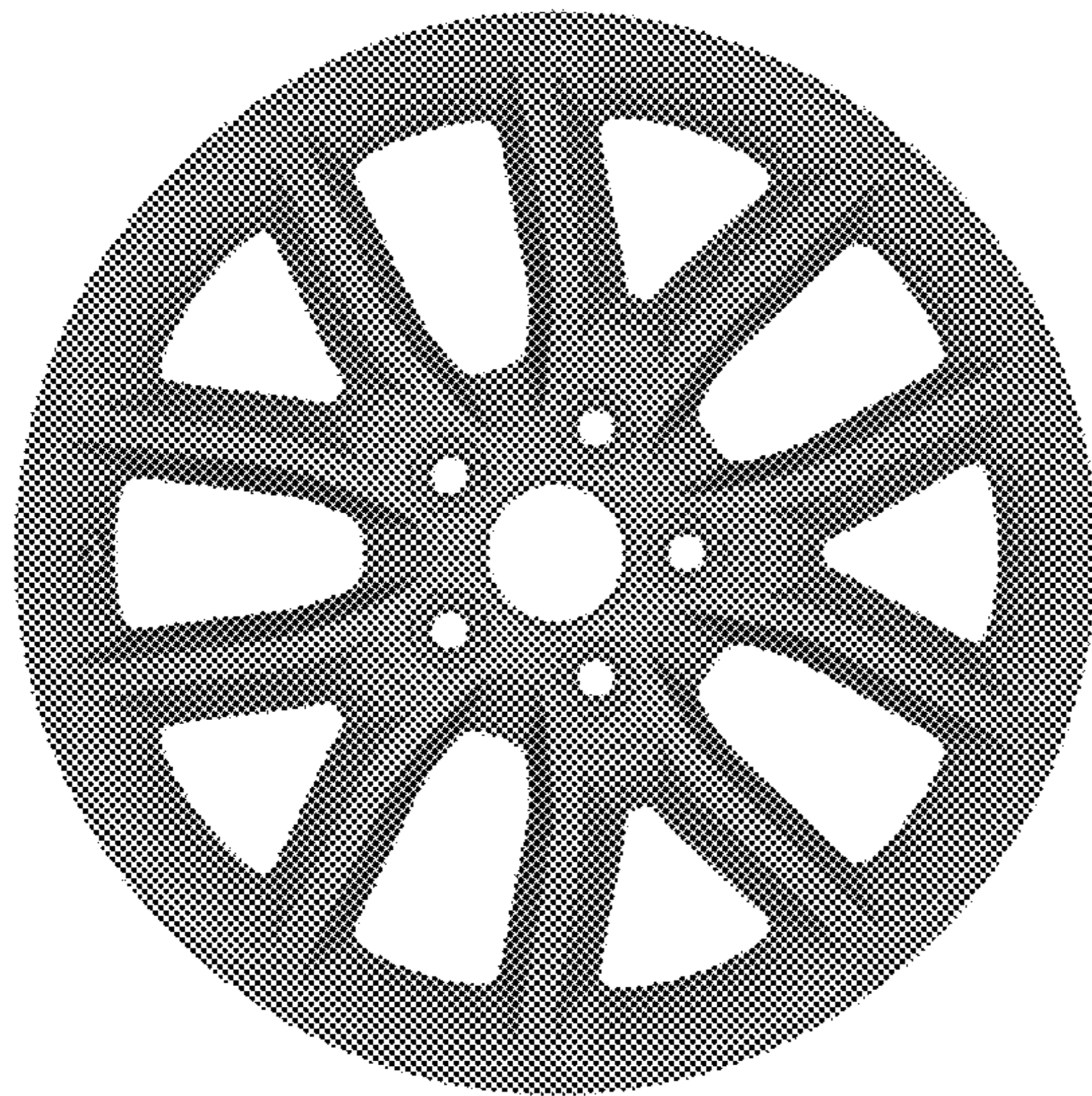
(57) **CLAIM**

The ornamental design for a vehicle wheel, as shown and described.

**DESCRIPTION**

FIG. 1 is a front view of a vehicle wheel; and, FIG. 2 is a perspective view of the vehicle wheel.

**1 Claim, 2 Drawing Sheets**





*Figure 1*



*Figure 2*