

US00D673089S

(12) **United States Design Patent**
Parkes et al.

(10) **Patent No.:** **US D673,089 S**
(45) **Date of Patent:** **** Dec. 25, 2012**

- (54) **GRILLE OF A RECREATIONAL VEHICLE**
- (75) Inventors: **Eric J. Parkes**, Junction City, OR (US);
Patrick Quinn, White Lake, MI (US);
Robert B. Riggs, Canton, MI (US)
- (73) Assignee: **International Truck Intellectual Property Company, LLC**, Lisle, IL (US)

D522,936 S	6/2006	Beigel	
D545,730 S	7/2007	Lee	
D557,183 S	12/2007	Beigel	
D563,289 S *	3/2008	Pfeiffer D12/163
D566,015 S	4/2008	Beigel	
D592,561 S	5/2009	Otto	
D612,776 S	3/2010	Beigel	
D619,054 S	7/2010	Beigel	
D637,530 S	5/2011	Aris	
D645,797 S	9/2011	Beigel	
D663,656 S *	7/2012	Frenzel et al. D12/163
D664,478 S *	7/2012	Futschik et al. D12/163

(**) Term: **14 Years**

(21) Appl. No.: **29/397,732**

(22) Filed: **Jul. 20, 2011**

(51) **LOC (9) Cl.** **12-16**

(52) **U.S. Cl.** **D12/169**

(58) **Field of Classification Search** D12/169,
D12/196, 171, 216, 163, 86, 90-92; 293/102,
293/113, 115, 117, 120; 296/180.1, 180.2

See application file for complete search history.

(56) **References Cited**

U.S. PATENT DOCUMENTS

D400,836 S	11/1998	Reynard
D401,198 S	11/1998	Mueller
D403,285 S	12/1998	Abalos
D447,099 S	8/2001	Tirey
D452,464 S	12/2001	Beigel
D455,381 S	4/2002	Maher

* cited by examiner

Primary Examiner — Melody N Brown

(74) *Attorney, Agent, or Firm* — Jeffrey P. Calfa; Mark C. Bach; Gerald W. Askew

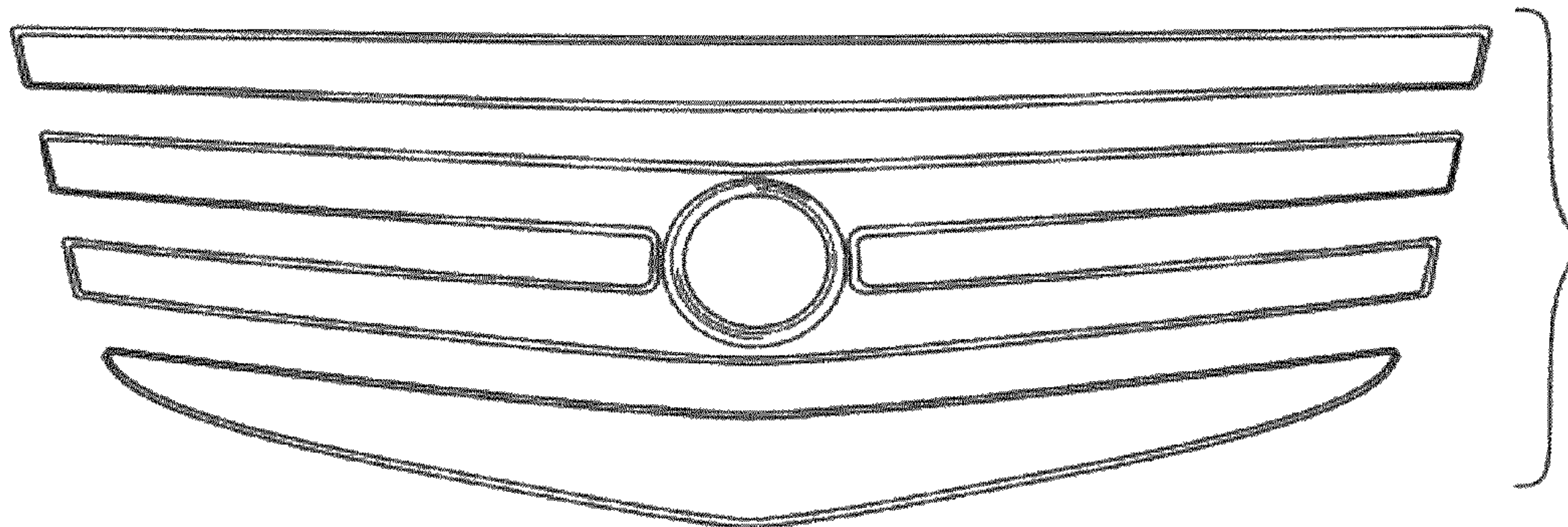
(57) **CLAIM**

The ornamental design for a grille of a recreational vehicle, as shown and described.

DESCRIPTION

FIG. 1 is a front and left side perspective view of a grille of a recreational vehicle showing our new design;
FIG. 2 is a top plan view thereof;
FIG. 3 is a front elevation view thereof;
FIG. 4 is a rear elevation view thereof;
FIG. 5 is a left side elevation view thereof; and,
FIG. 6 is a right side elevation view thereof.

1 Claim, 2 Drawing Sheets



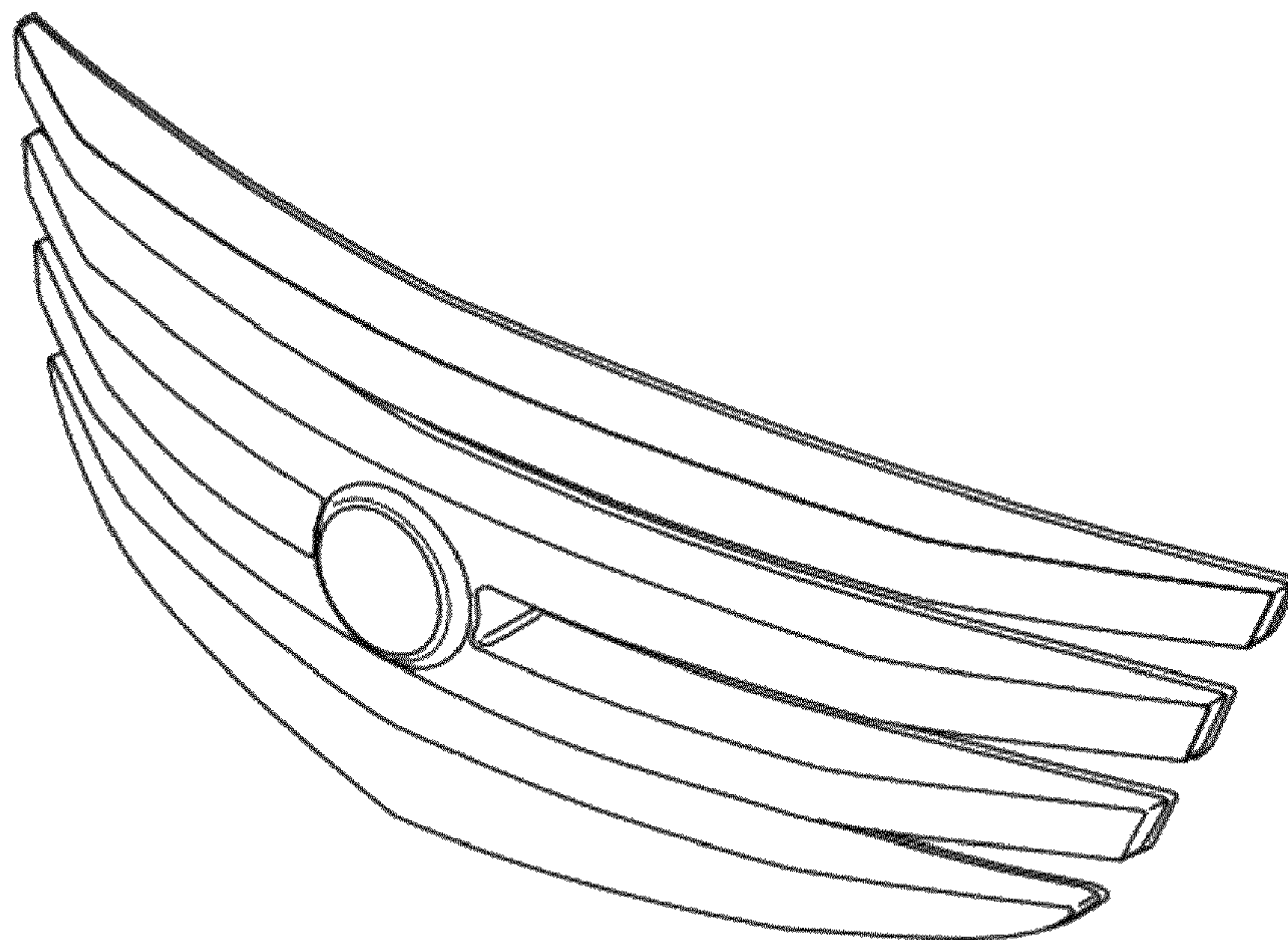


FIG. 1



FIG. 2

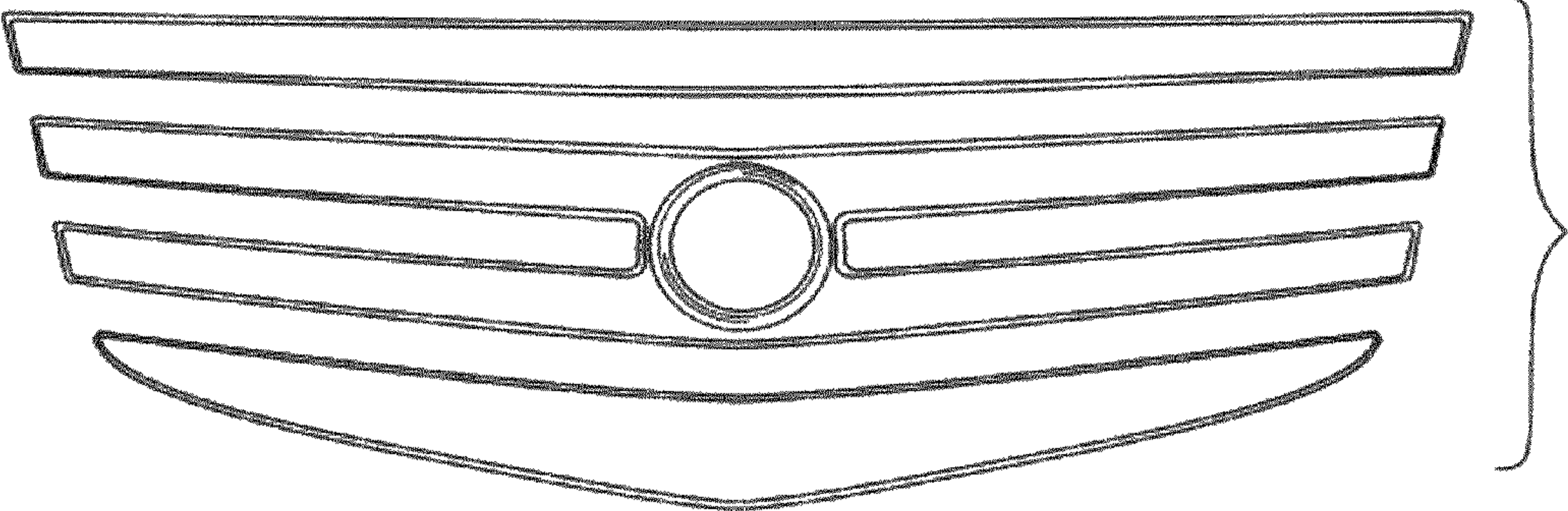


FIG. 3

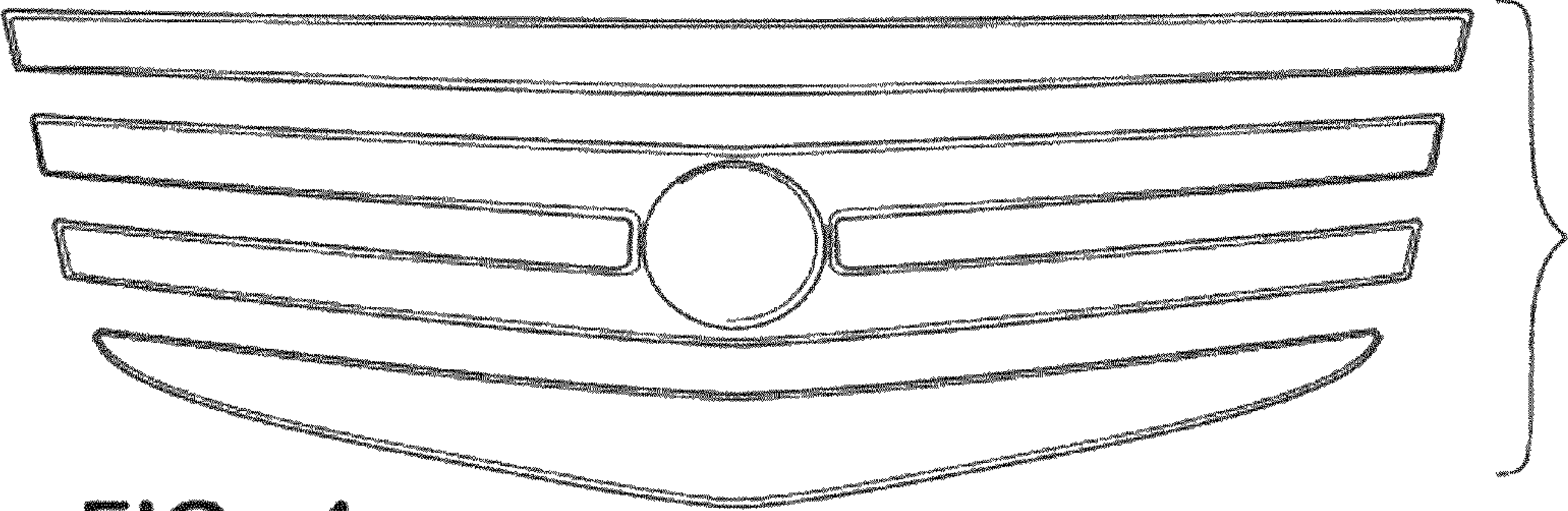


FIG. 4

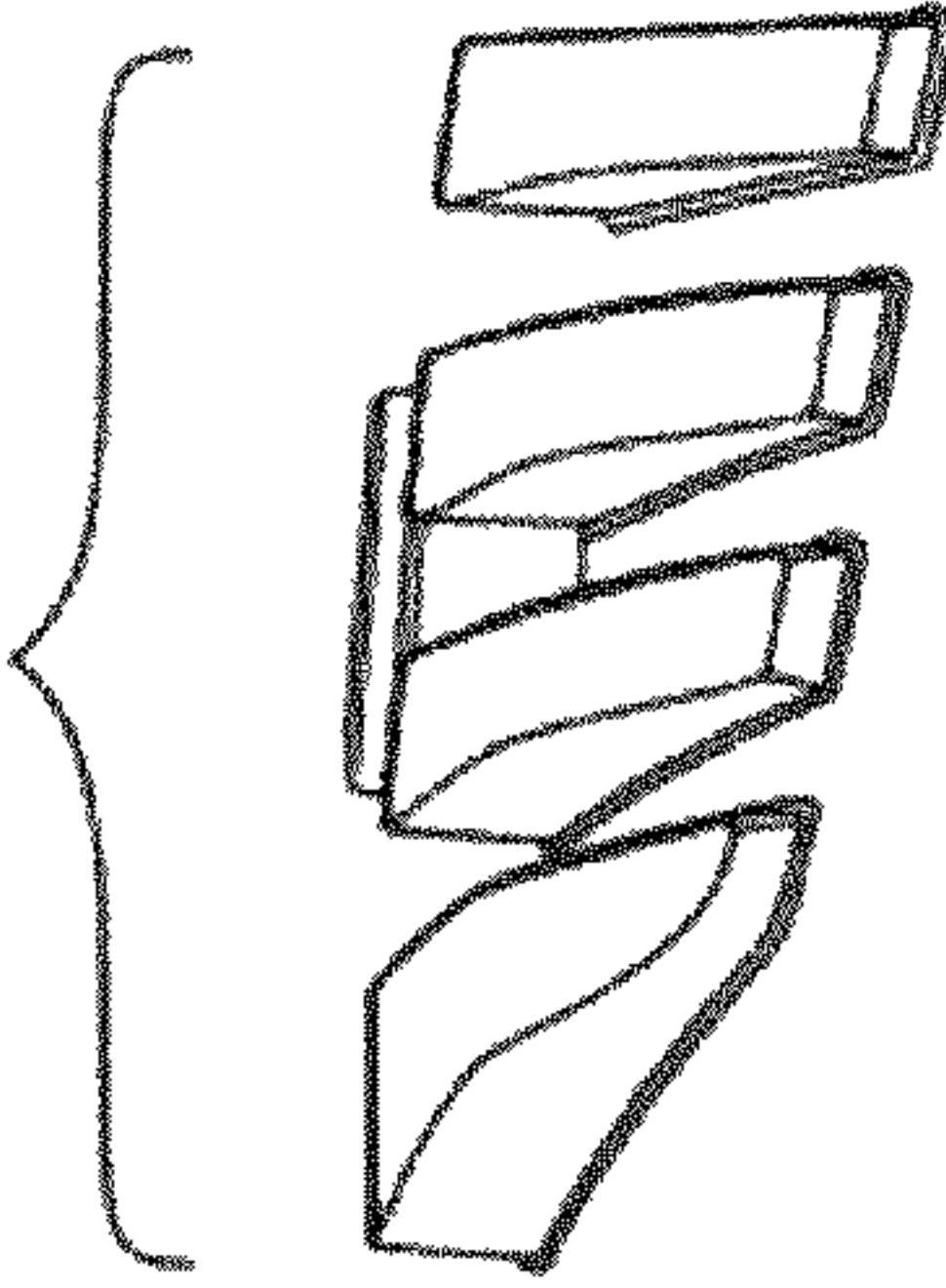


FIG. 5

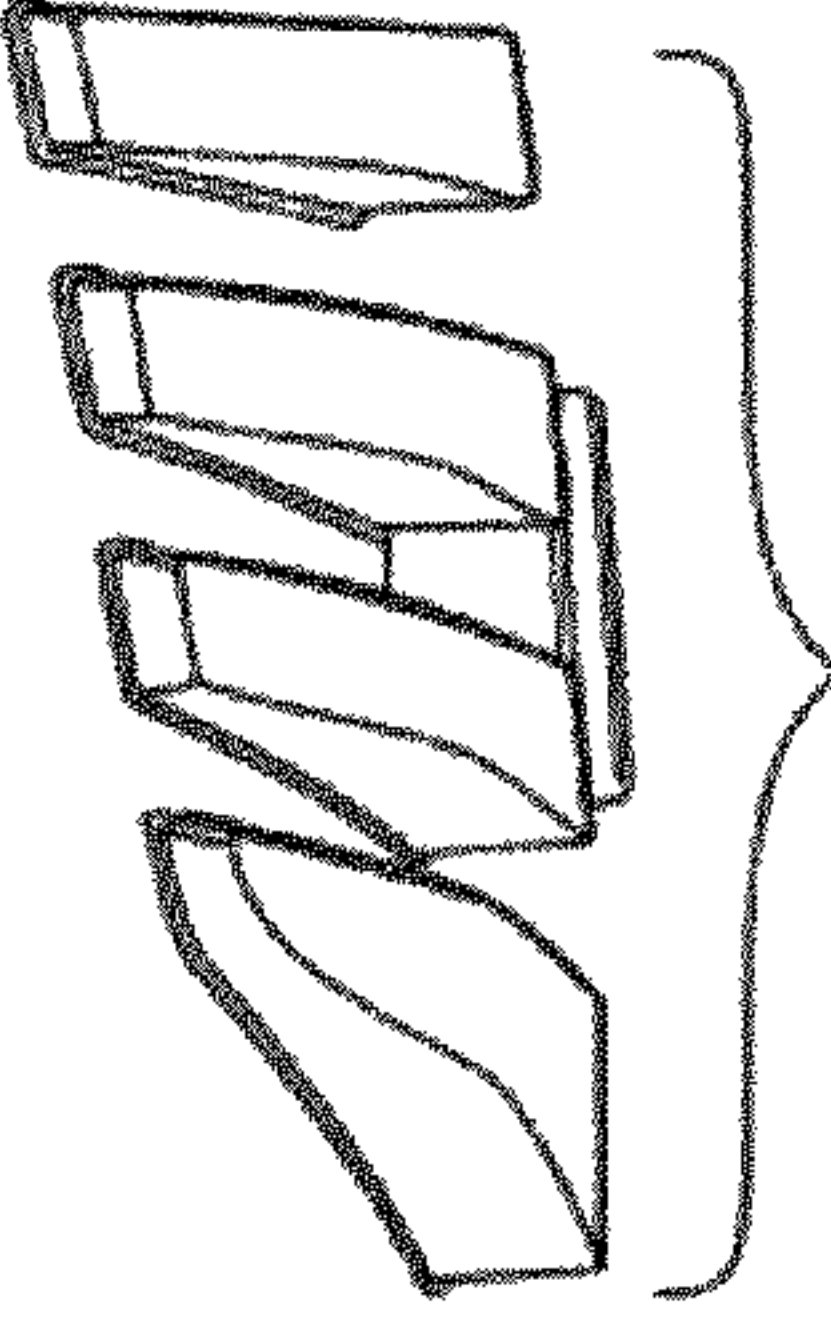


FIG. 6