



US00D673088S

(12) **United States Design Patent**
Thompson

(10) **Patent No.:** **US D673,088 S**

(45) **Date of Patent:** **** Dec. 25, 2012**

(54) **VEHICLE REAR BUMPER**

(75) Inventor: **Justin J. Thompson**, Clarinda (AU)

(73) Assignee: **GM Global Technology Operations, Inc.**, Detroit, MI (US)

(**) Term: **14 Years**

(21) Appl. No.: **29/397,725**

(22) Filed: **Jul. 20, 2011**

(51) **LOC (9) Cl.** **12-16**

(52) **U.S. Cl.** **D12/169**

(58) **Field of Classification Search** D12/169,
D12/196, 171, 216, 163, 86, 90-92; 293/102,
293/113, 115, 117, 120; 296/180.1, 180.2
See application file for complete search history.

(56) **References Cited**

U.S. PATENT DOCUMENTS

D583,723 S *	12/2008	Murakami	D12/169
D589,416 S *	3/2009	Osborne et al.	D12/169
D592,567 S *	5/2009	Saracoglu	D12/169
D600,176 S *	9/2009	Yamazaki et al.	D12/169

D600,603 S *	9/2009	Di Buduo	D12/169
D623,568 S *	9/2010	Ward	D12/169
D626,470 S *	11/2010	Komuro	D12/169
D628,945 S *	12/2010	Ino et al.	D12/169
D631,407 S *	1/2011	Kuze	D12/169
D632,232 S *	2/2011	Matei et al.	D12/169
D640,616 S *	6/2011	Schell et al.	D12/169

* cited by examiner

Primary Examiner — Melody N Brown

(74) *Attorney, Agent, or Firm* — Parks IP Law LLC; Mickki D. Murray

(57) **CLAIM**

The ornamental design for a vehicle rear bumper, as shown and described.

DESCRIPTION

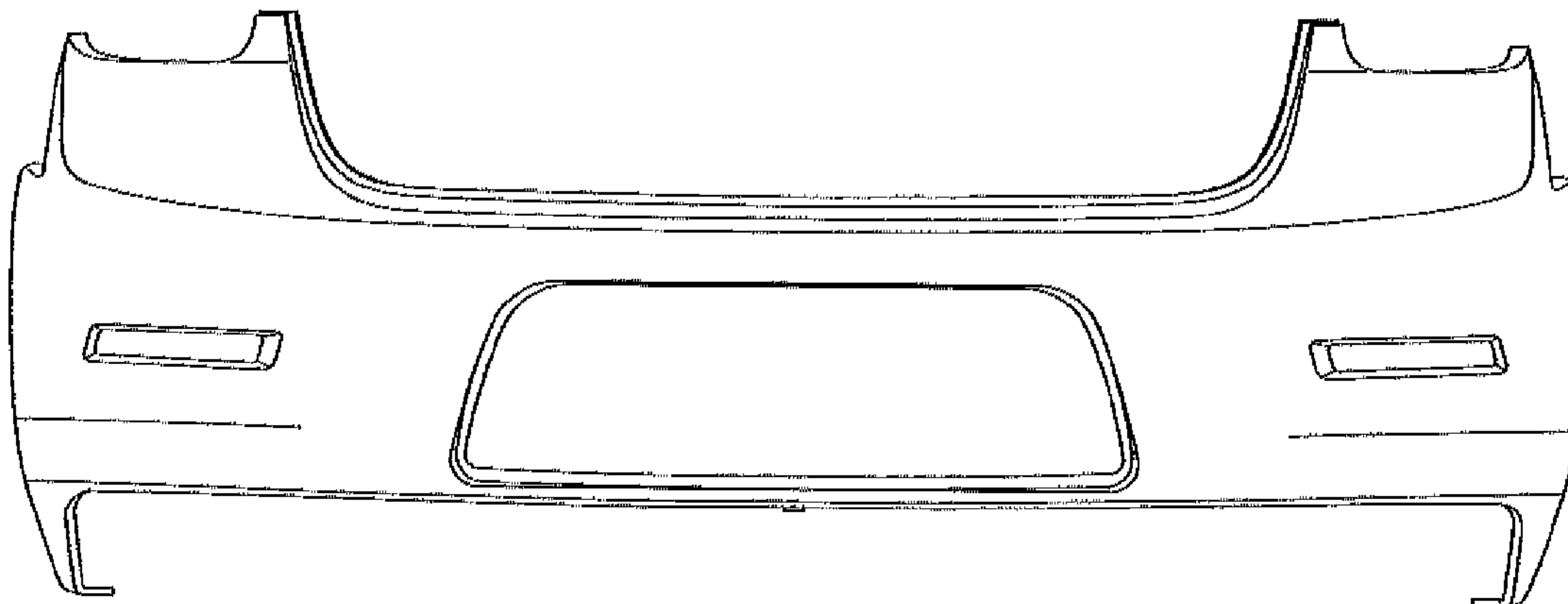
FIG. 1 is perspective of a vehicle rear bumper showing the new design;

FIG. 2 is a front view, thereof;

FIG. 3 is a side view, thereof; and,

FIG. 4 is a top plan view, thereof.

1 Claim, 1 Drawing Sheet



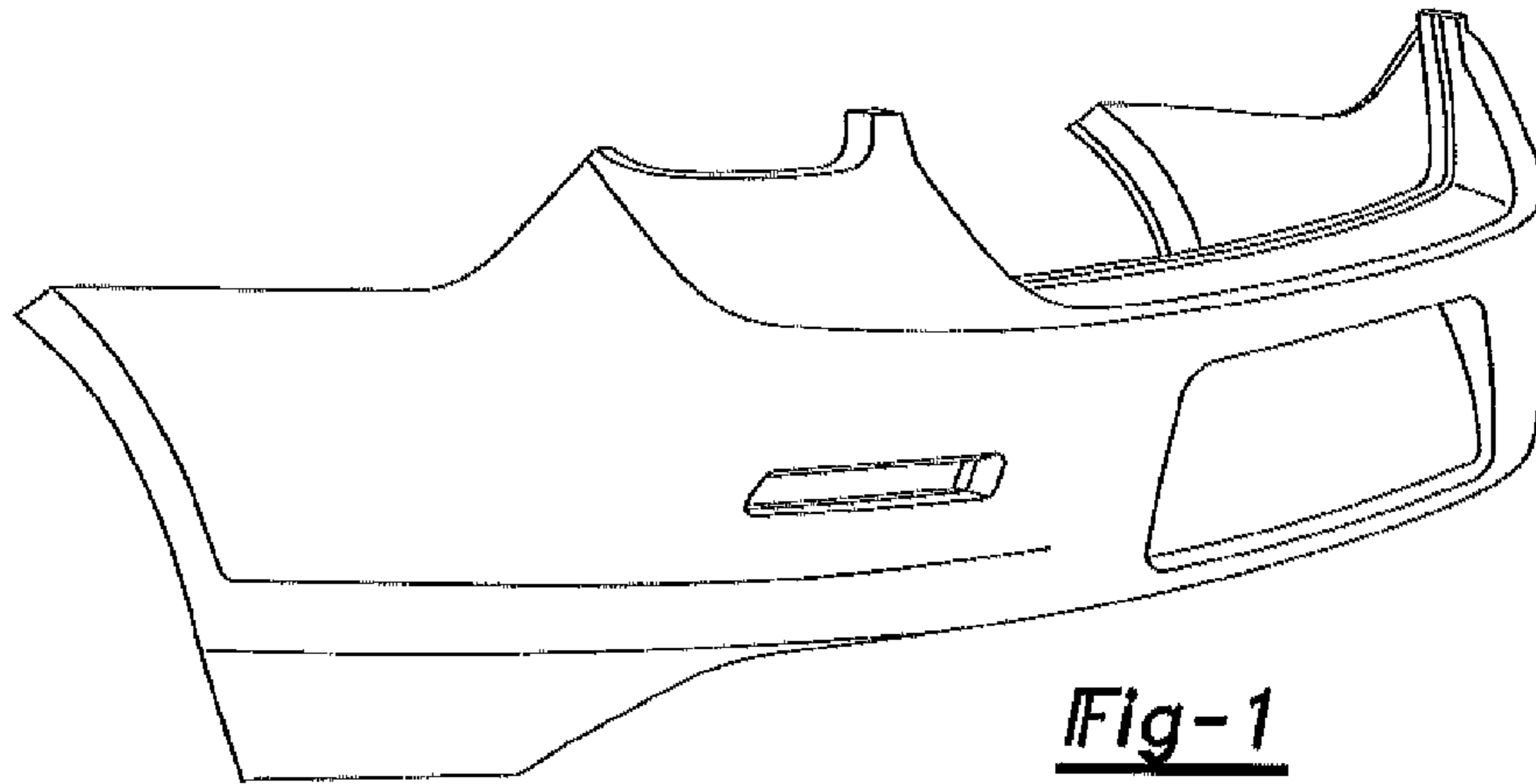


Fig-1

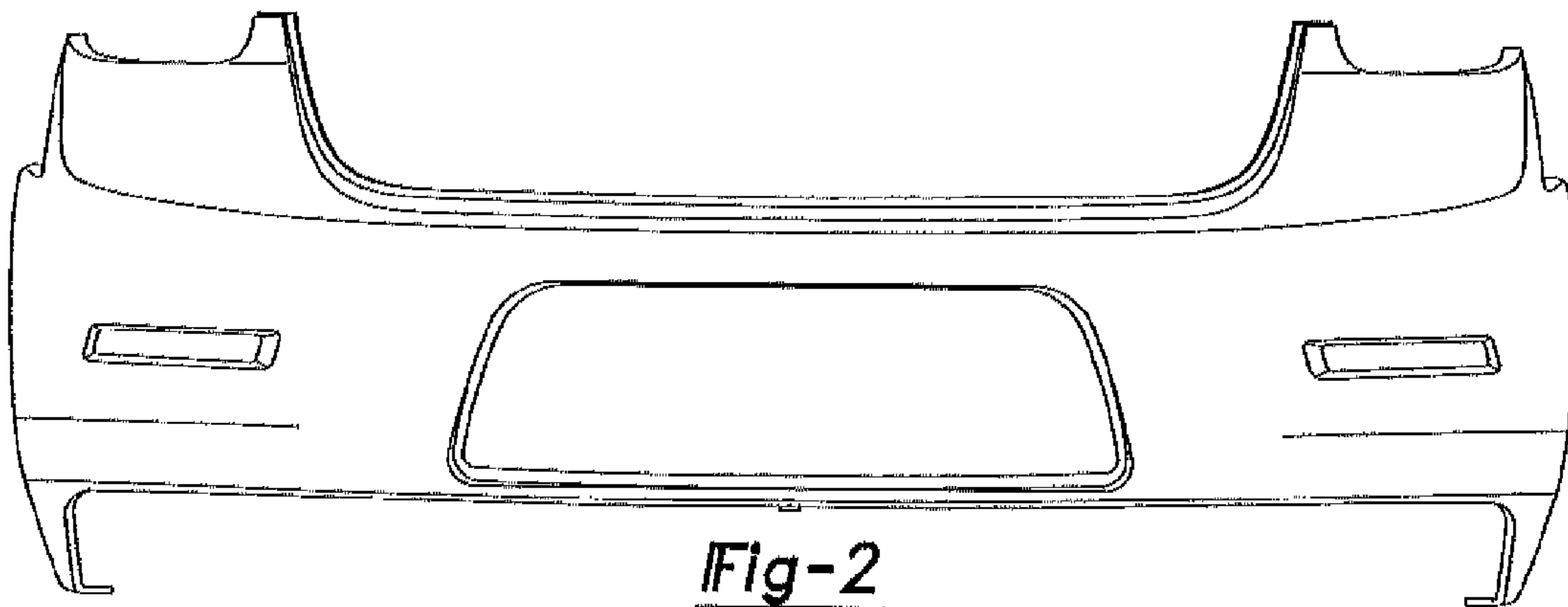


Fig-2

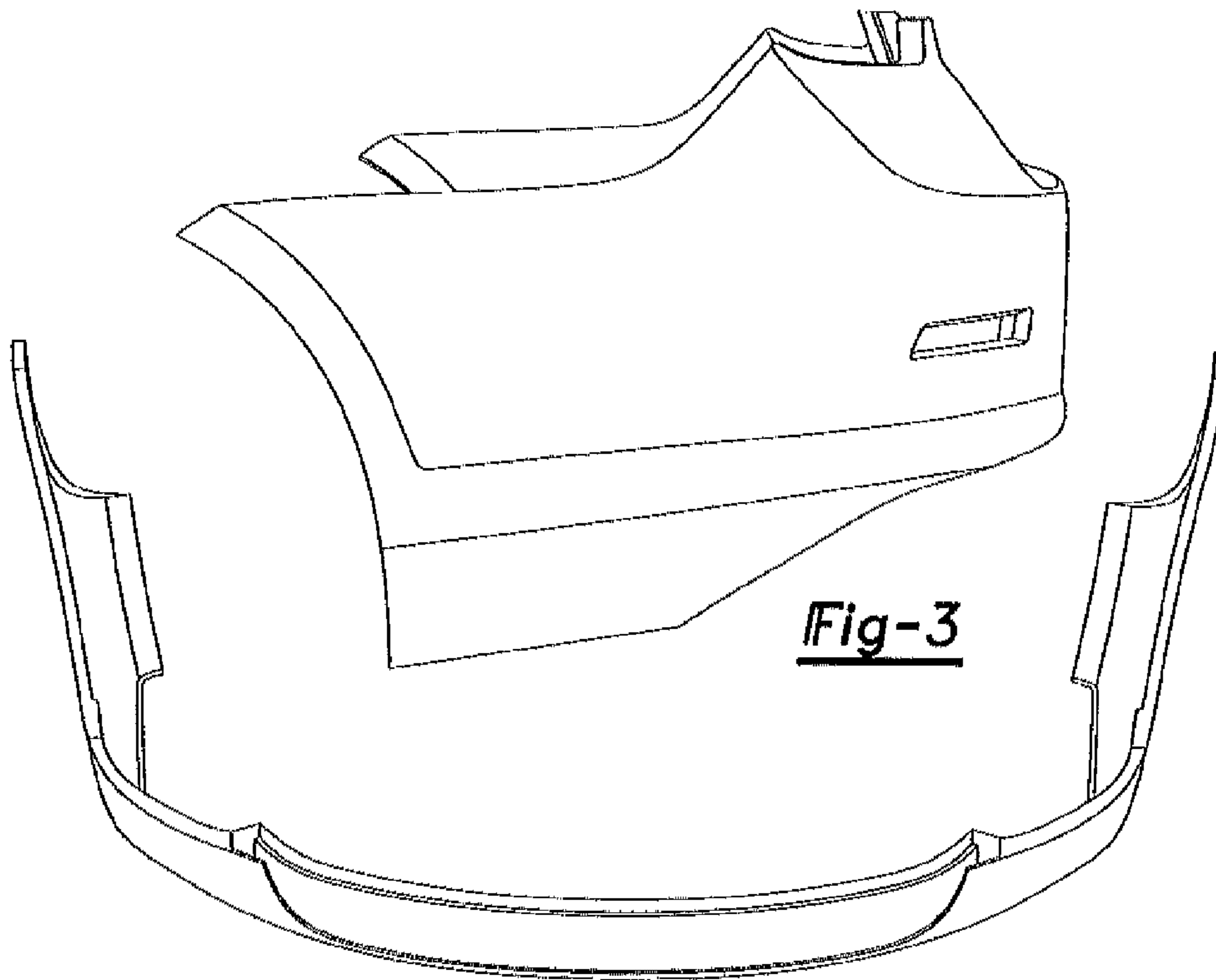


Fig-3

Fig-4