



US00D673087S

(12) **United States Design Patent**
Hotta et al.

(10) **Patent No.:** **US D673,087 S**
(45) **Date of Patent:** **** Dec. 25, 2012**

- (54) **REAR BUMPER FOR AN AUTOMOBILE**
- (75) Inventors: **Tatsuya Hotta**, Yokosuka (JP); **Tetsuya Nakagawa**, Yokosuka (JP)
- (73) Assignee: **Toyota Jidosha Kabushiki Kaisha**, Toyota-shi (JP)
- (**) Term: **14 Years**
- (21) Appl. No.: **29/382,494**
- (22) Filed: **Jan. 4, 2011**
- (51) **LOC (9) Cl.** **12-16**
- (52) **U.S. Cl.** **D12/169**
- (58) **Field of Classification Search** D12/169, D12/196, 171, 216, 163, 86, 90-92; 293/102, 293/113, 115, 117, 120; 296/180.1, 180.2
See application file for complete search history.

- D631,407 S * 1/2011 Kuze D12/169
- D633,834 S * 3/2011 Matei et al. D12/169
- D640,615 S * 6/2011 Kumai et al. D12/169
- D642,093 S 7/2011 Kubo et al.

OTHER PUBLICATIONS

Toyota, Toyota Prius, Netcarshow.com, The URL: http://www.netcarshow.com/toyota/2001-prius/800x600/wallpaper_Oe.htm, 2010.
Nissan, Nissan Leaf, Netcarshow.com, The URL: http://www.netcarshow.com/nissan/2011-leaf/800x600/wallpaper_le.htm, Oct. 21, 2010.

* cited by examiner

Primary Examiner — Melody N Brown

(74) *Attorney, Agent, or Firm* — Finnegan, Henderson, Farabow, Garrett & Dunner, LLP

(57) **CLAIM**

The ornamental design for a rear bumper for an automobile, as shown and described.

DESCRIPTION

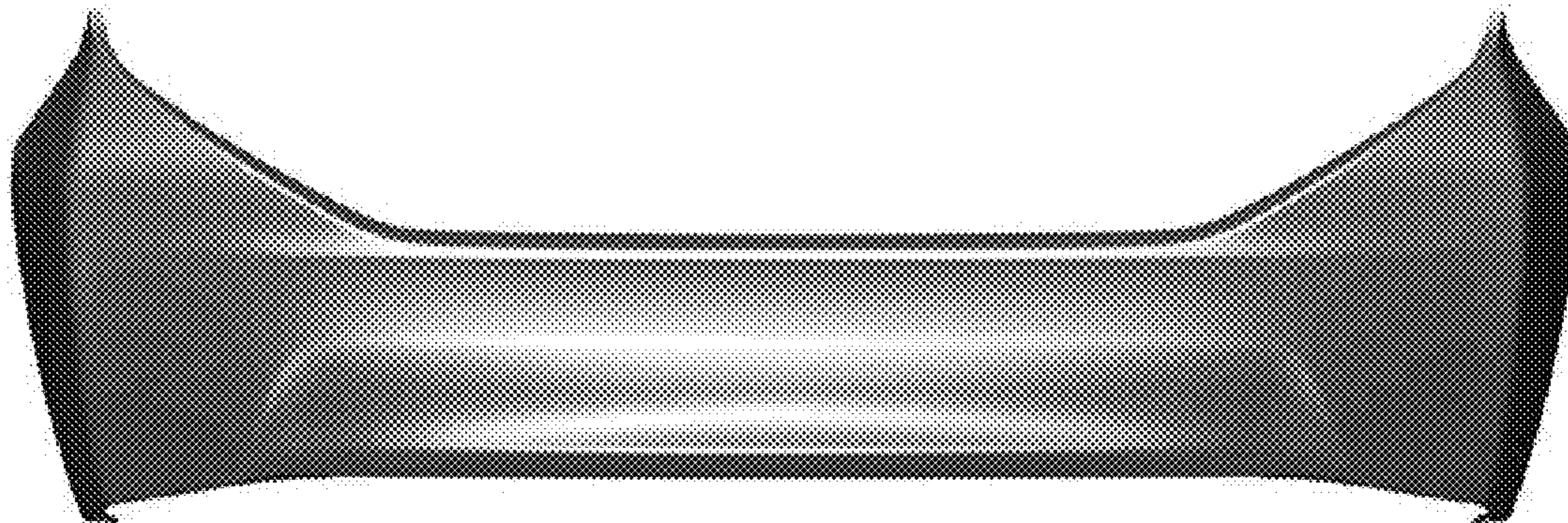
FIG. 1 is a front perspective view of a rear bumper for an automobile of our new design;
FIG. 2 is a front view thereof;
FIG. 3 is a top plan view thereof;
FIG. 4 is a bottom plan view thereof;
FIG. 5 is a right side view thereof; and,
FIG. 6 is a left side view thereof.

1 Claim, 3 Drawing Sheets

(56) **References Cited**

U.S. PATENT DOCUMENTS

- D473,824 S 4/2003 Mori
- D479,491 S 9/2003 Kato et al.
- D561,070 S * 2/2008 Gresens et al. D12/169
- D561,071 S * 2/2008 Golden et al. D12/169
- D566,017 S * 4/2008 Pfeiffer D12/169
- D585,002 S * 1/2009 Tamura D12/169
- D592,570 S * 5/2009 Lamm D12/169
- D605,568 S * 12/2009 Ward D12/169
- D609,614 S * 2/2010 Okue et al. D12/169



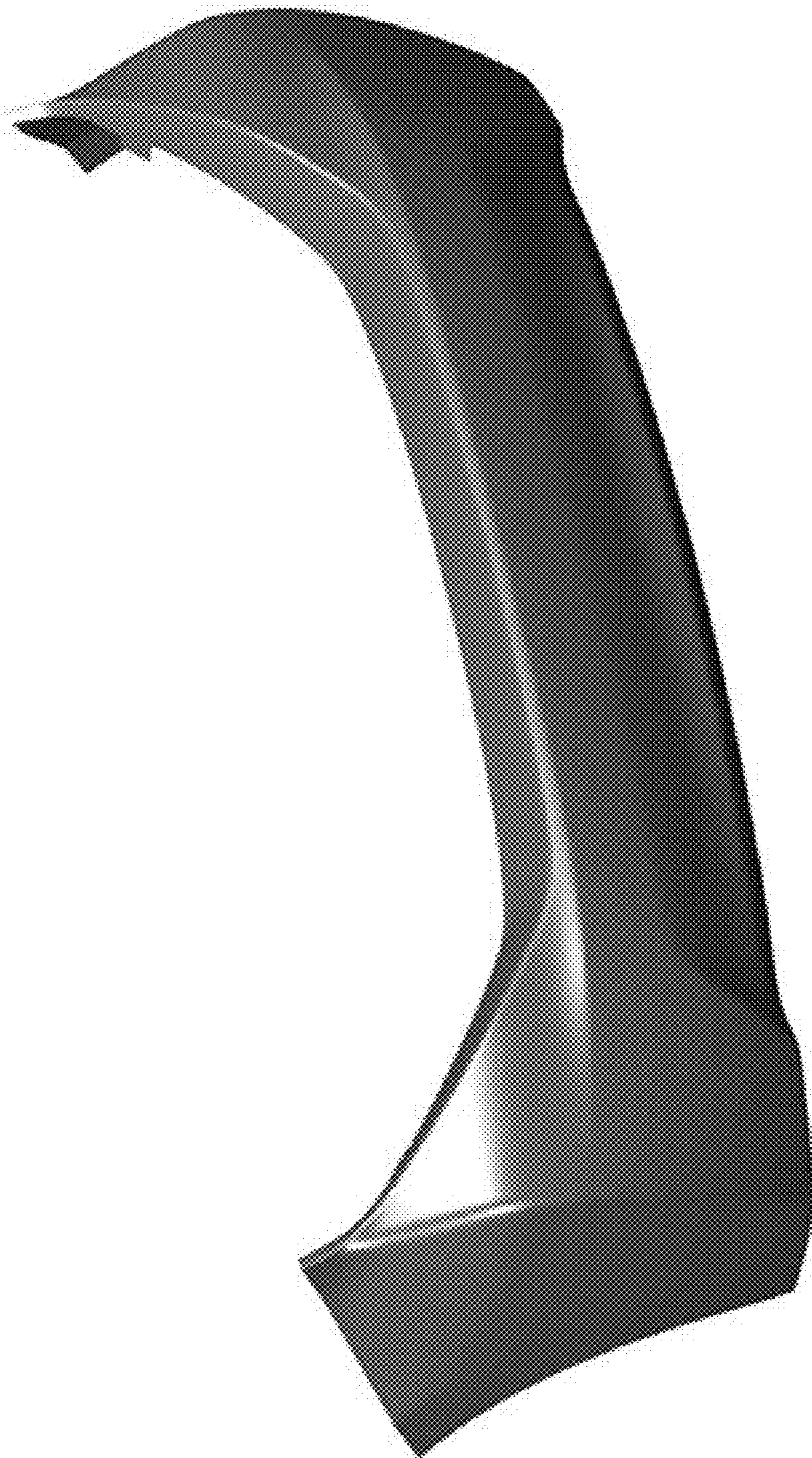


FIG. 1

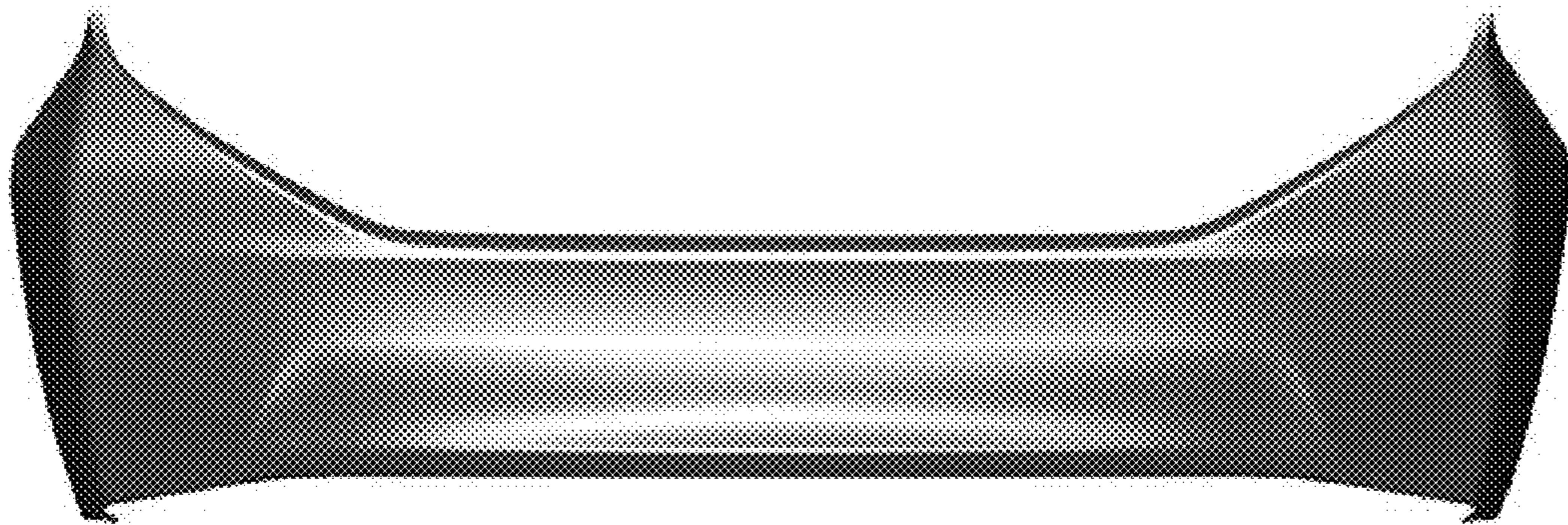


FIG. 2

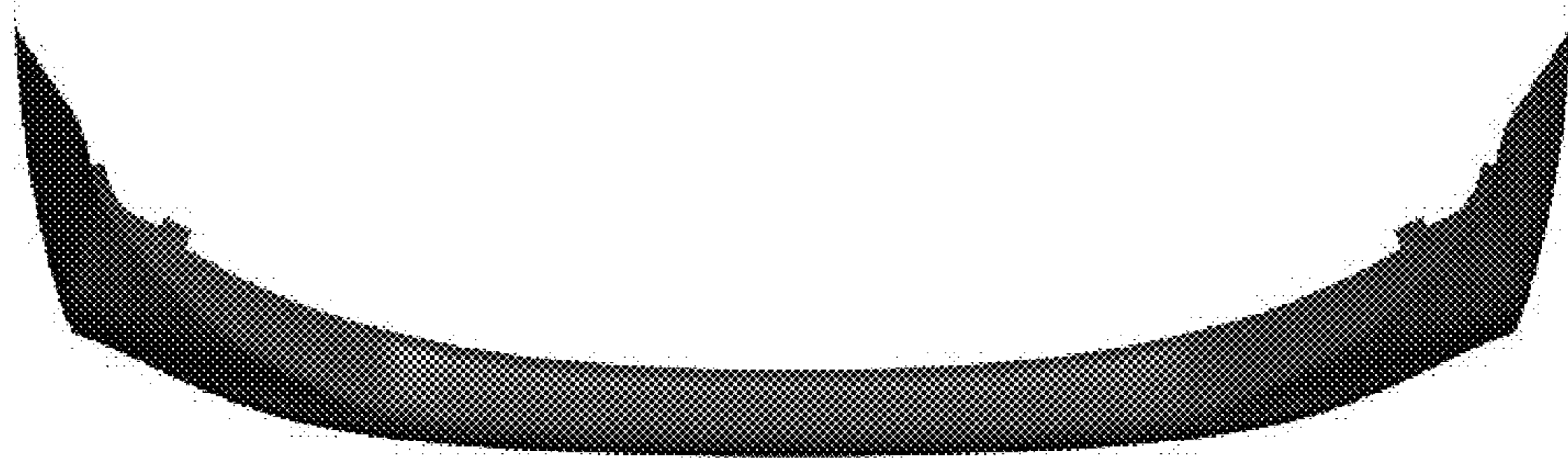


FIG. 3

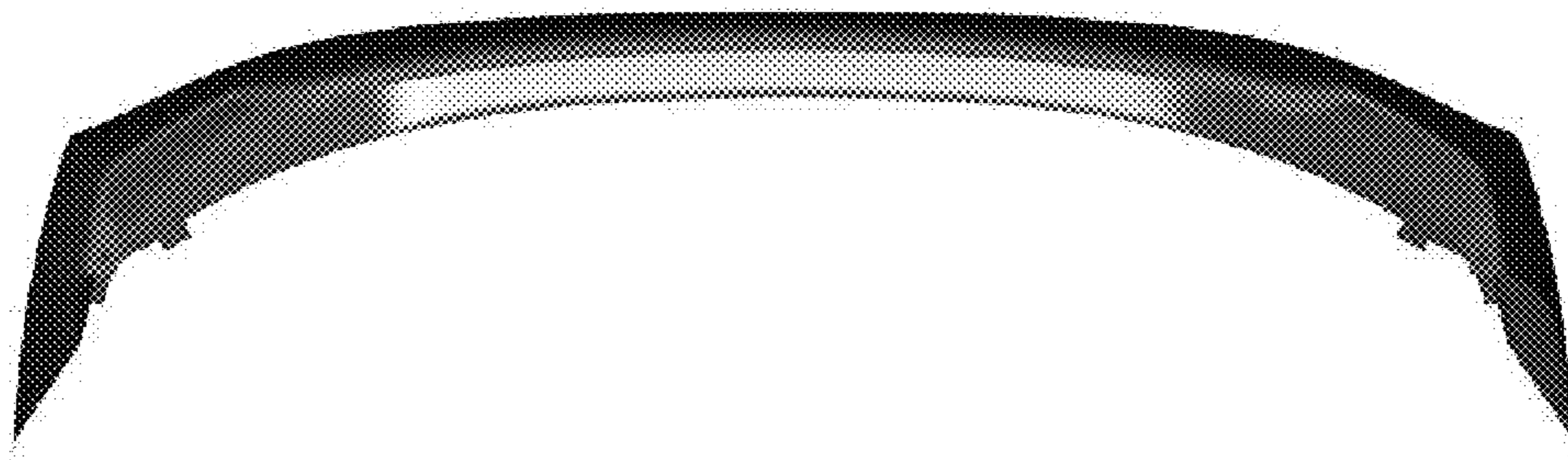


FIG. 4

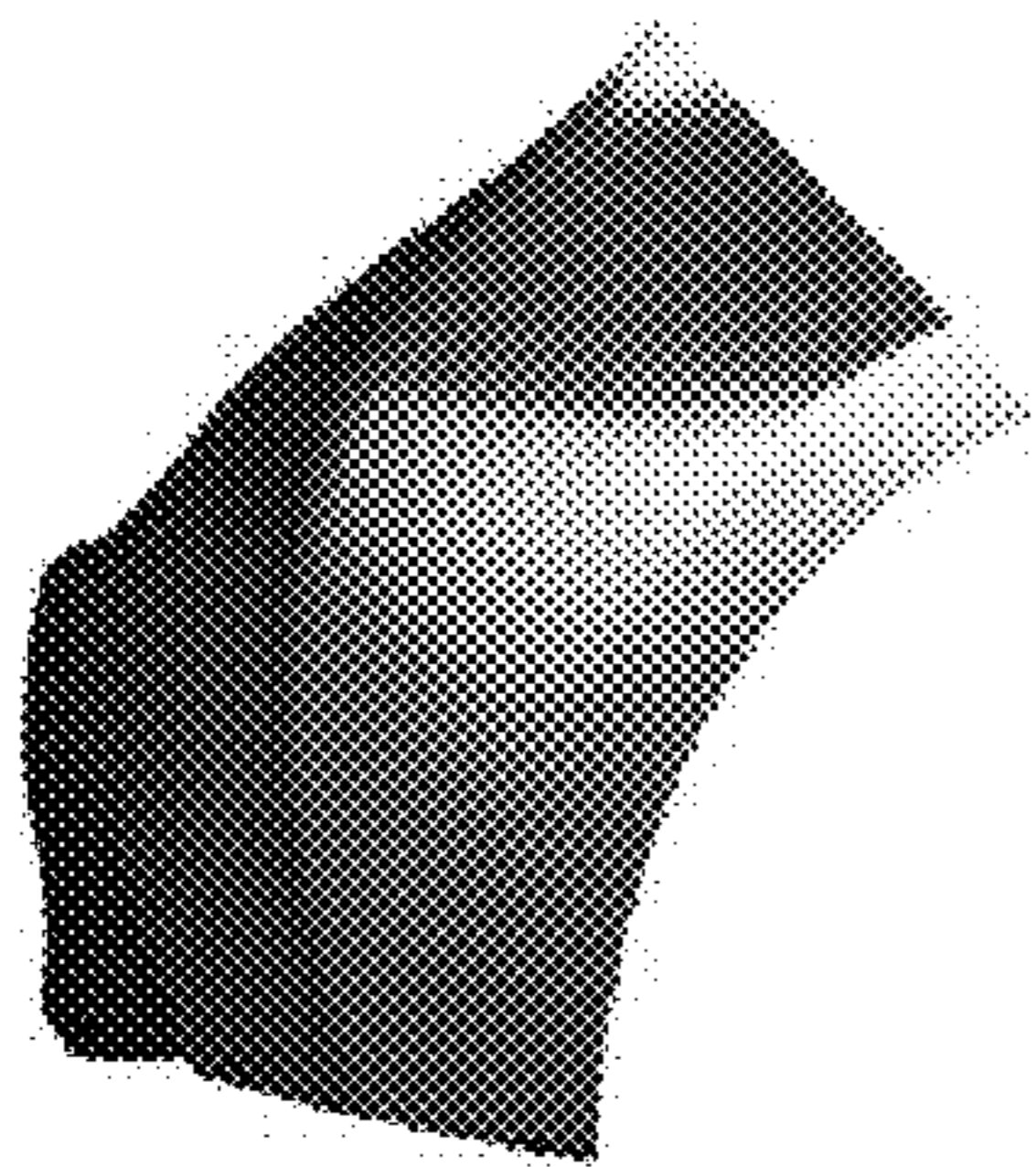


FIG. 5

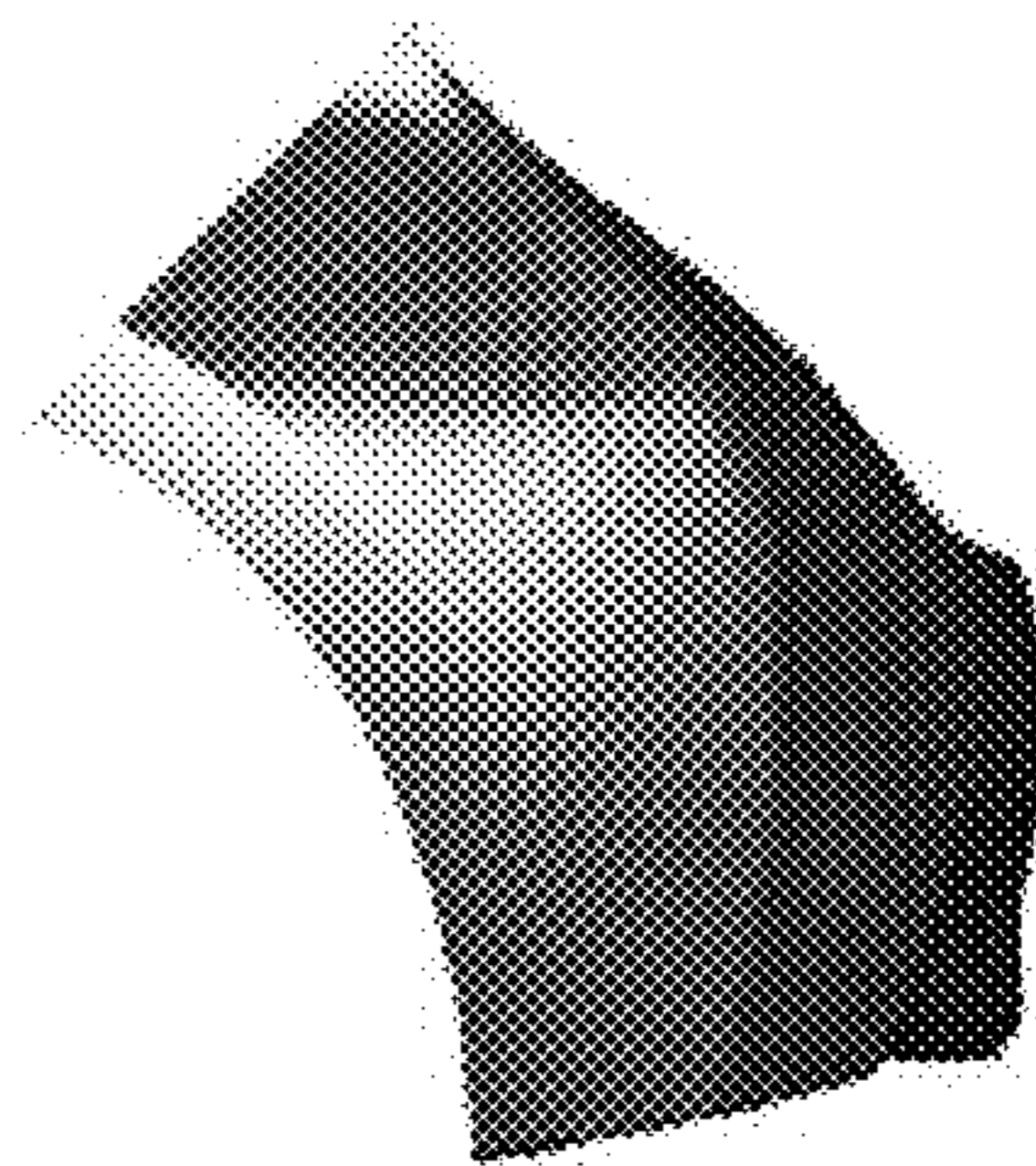


FIG. 6