



US00D673086S

(12) **United States Design Patent**  
**Frenzel et al.**

(10) **Patent No.:** **US D673,086 S**

(45) **Date of Patent:** **\*\* Dec. 25, 2012**

(54) **FRONT BUMPER FOR A VEHICLE**

(75) Inventors: **Klaus Frenzel**, Stuttgart (DE);  
**Hans-Dieter Futschik**, Stuttgart (DE);  
**Robert Lesnik**, Stuttgart (DE); **Volker**  
**Leutz**, Stuttgart (DE); **Gorden**  
**Wagener**, Stuttgart (DE)

(73) Assignee: **Daimler AG**, Stuttgart (DE)

(\*\*) Term: **14 Years**

(21) Appl. No.: **29/371,110**

(22) Filed: **Oct. 25, 2010**

(30) **Foreign Application Priority Data**

Apr. 23, 2010 (DE) ..... 402010002287

(51) **LOC (9) Cl.** ..... **12-16**

(52) **U.S. Cl.** ..... **D12/169**

(58) **Field of Classification Search** ..... D12/169,  
D12/196, 171, 216, 163, 86, 90-92; 293/102,  
293/113, 115, 117, 120; 296/180.1, 180.2  
See application file for complete search history.

(56) **References Cited**

U.S. PATENT DOCUMENTS

D550,594 S *	9/2007	Pfeiffer	.....	D12/169
D563,841 S	3/2008	Pfeiffer		
D575,676 S	8/2008	Pfeiffer		
D578,451 S *	10/2008	Jodo et al.	.....	D12/169
D580,314 S *	11/2008	Yamaji	.....	D12/169
D586,705 S *	2/2009	Bauer et al.	.....	D12/169
D589,414 S *	3/2009	Futschik et al.	.....	D12/169
D605,096 S *	12/2009	Mueller	.....	D12/169

D610,956 S *	3/2010	Truebsbach	.....	D12/169
D623,566 S *	9/2010	Bauer et al.	.....	D12/169
D625,230 S *	10/2010	Hirai et al.	.....	D12/169
D626,473 S *	11/2010	Mueller	.....	D12/169
D630,978 S *	1/2011	Koshino et al.	.....	D12/169
D633,013 S *	2/2011	Bauer et al.	.....	D12/169
D636,303 S *	4/2011	Frei et al.	.....	D12/169

\* cited by examiner

*Primary Examiner* — Melody N Brown

(74) *Attorney, Agent, or Firm* — Crowell & Moring LLP

(57) **CLAIM**

The ornamental design for a front bumper for a vehicle, as shown and described.

**DESCRIPTION**

FIG. 1 is a left perspective view of a first embodiment of a front bumper for a vehicle according to our design, the right perspective view being mirror symmetrical;

FIG. 2 is a front view thereof;

FIG. 3 is a right side view thereof, the left side view being mirror symmetrical;

FIG. 4 is a top view thereof; and

FIG. 5 is a bottom view thereof.

FIG. 6 is a left perspective view of a second embodiment of the front bumper for a vehicle according to our design, the right perspective view being mirror symmetrical;

FIG. 7 is a front view thereof;

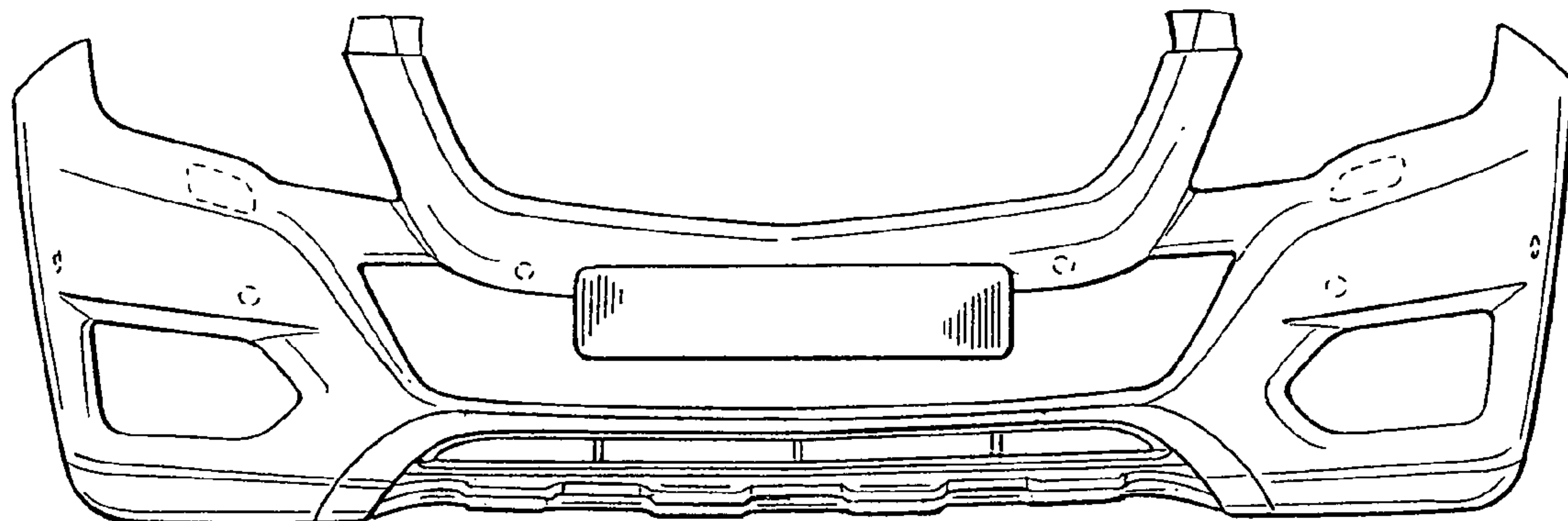
FIG. 8 is a right side view thereof, the left side view being mirror symmetrical

FIG. 9 is a top view thereof; and,

FIG. 10 is a bottom view thereof.

The broken lines are for illustrative purposes only and form no part of the claimed design.

**1 Claim, 4 Drawing Sheets**



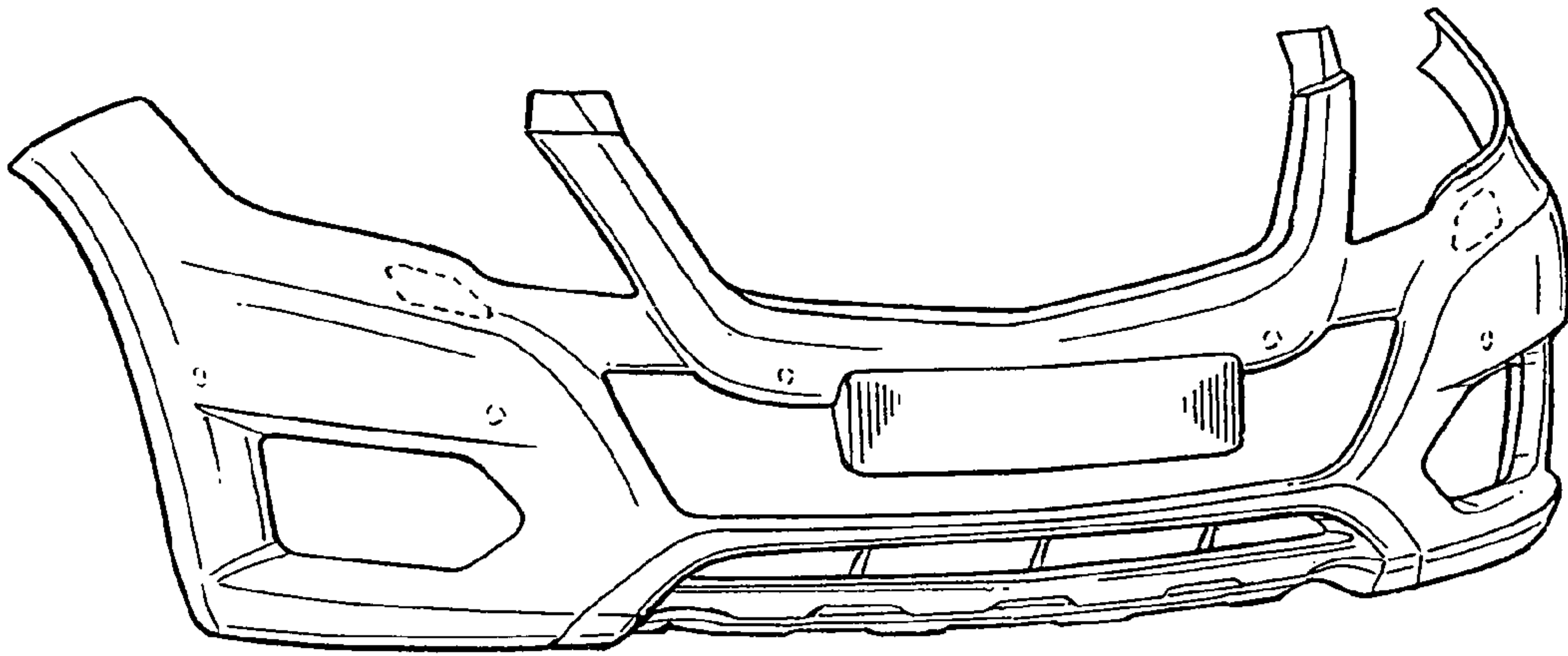


FIG. 1

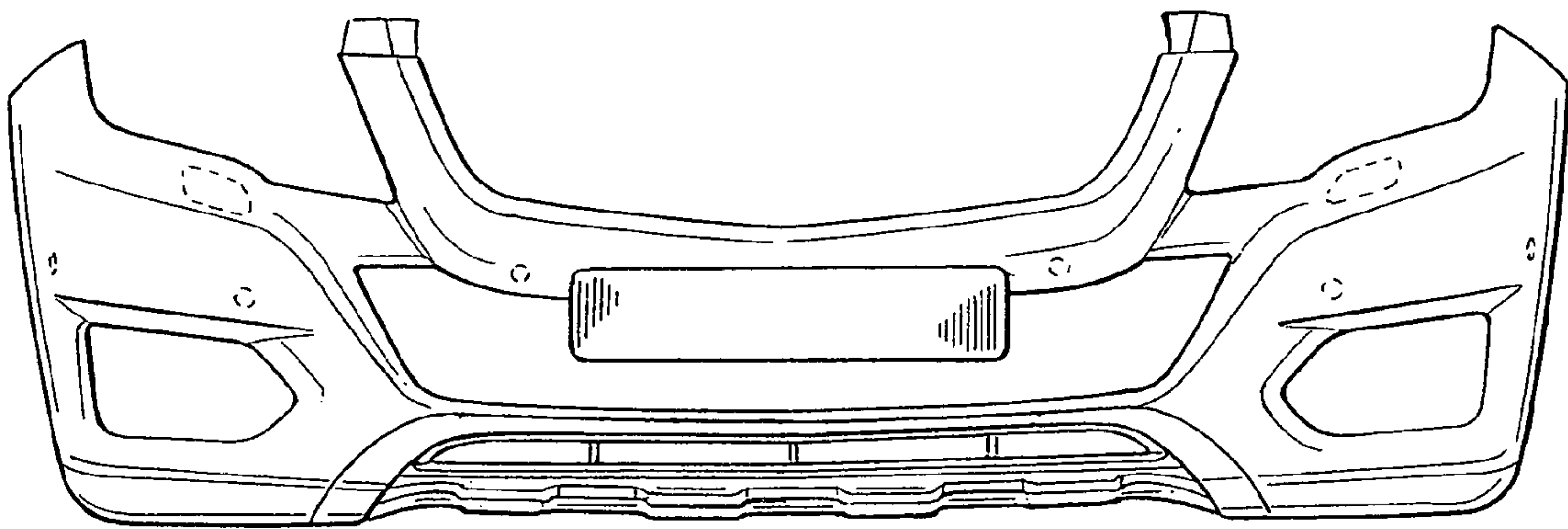


FIG. 2

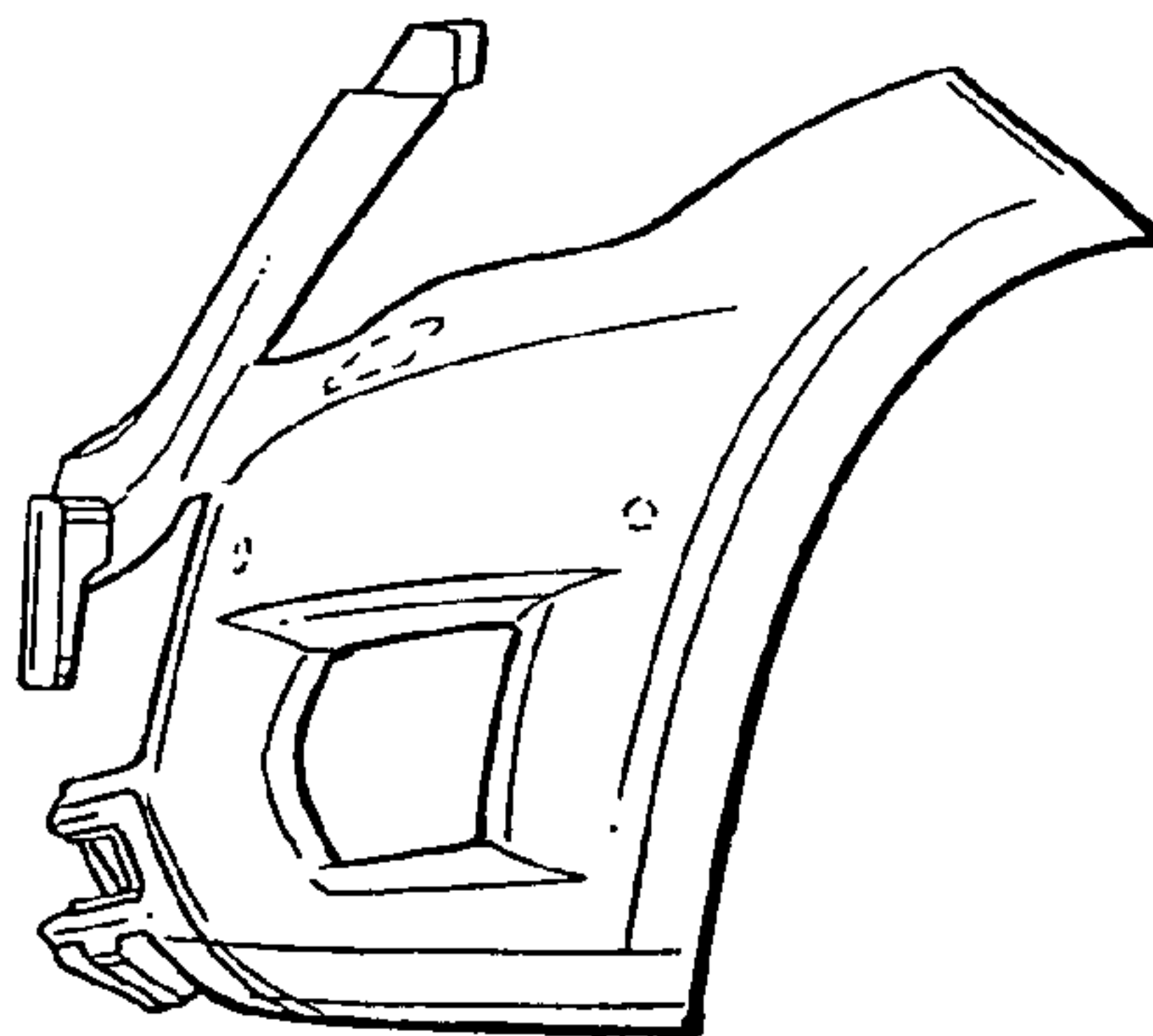


FIG. 3

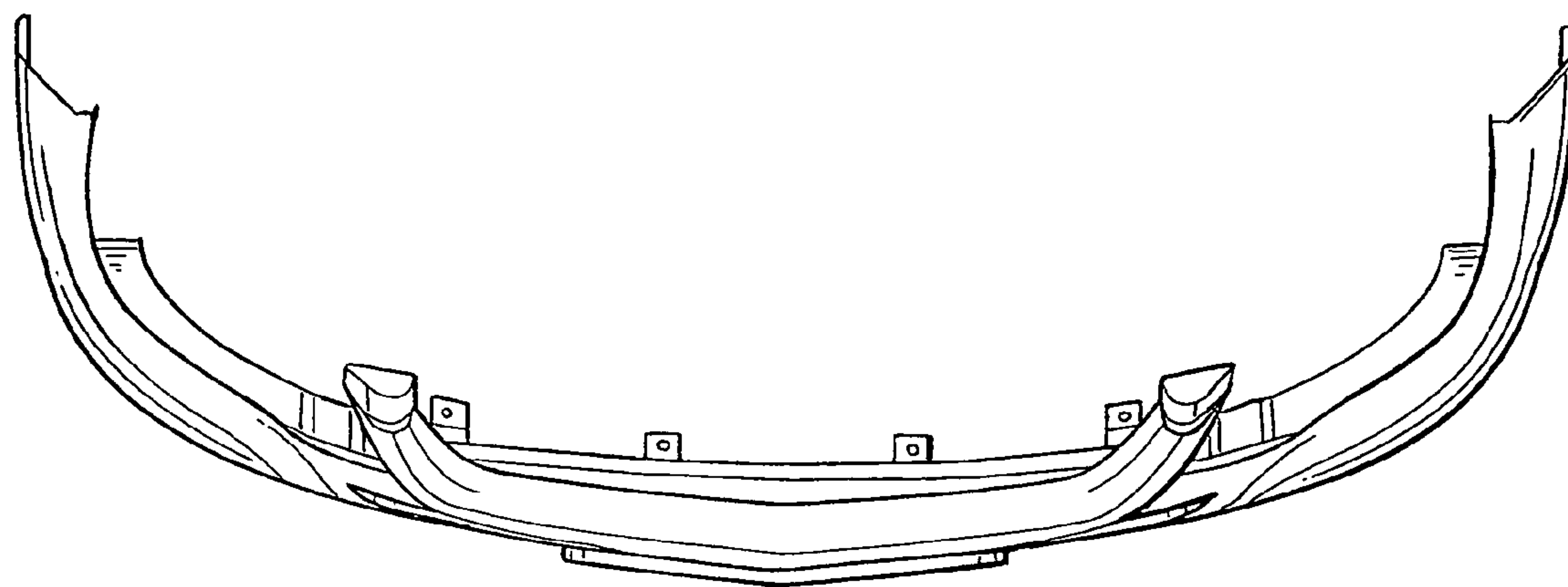


FIG. 4

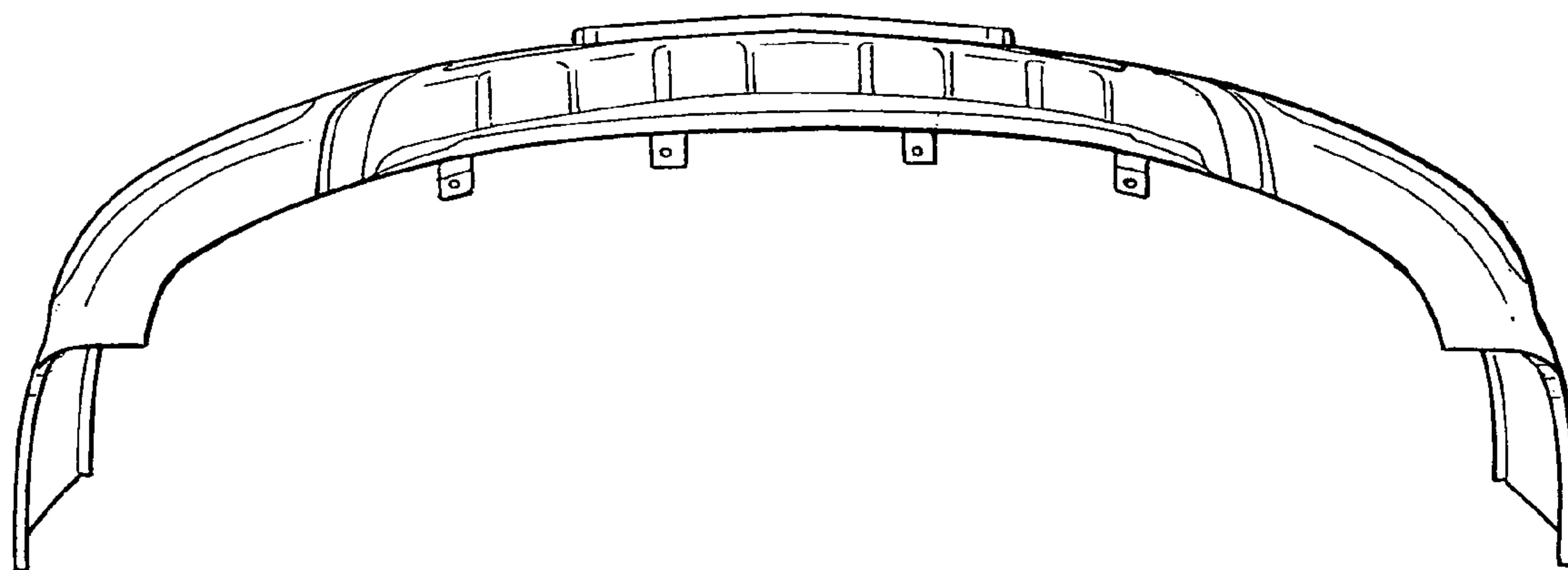


FIG. 5

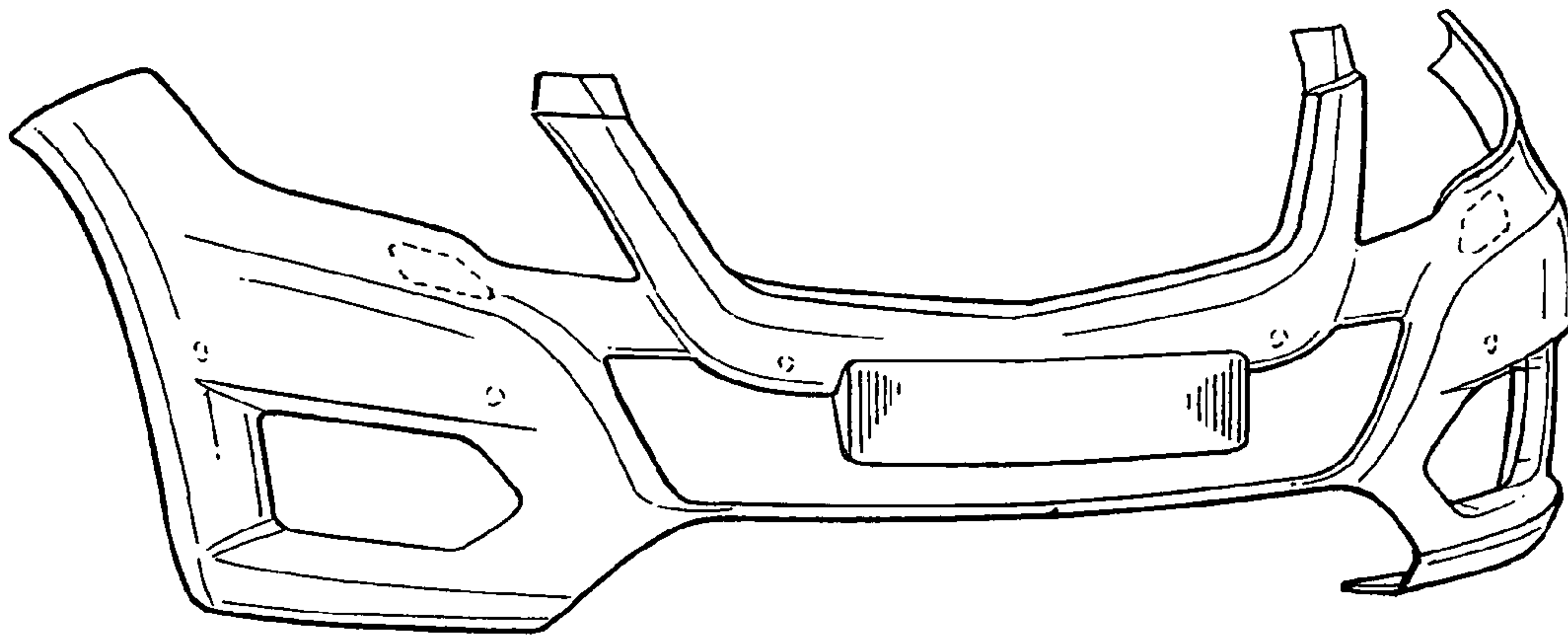


FIG. 6

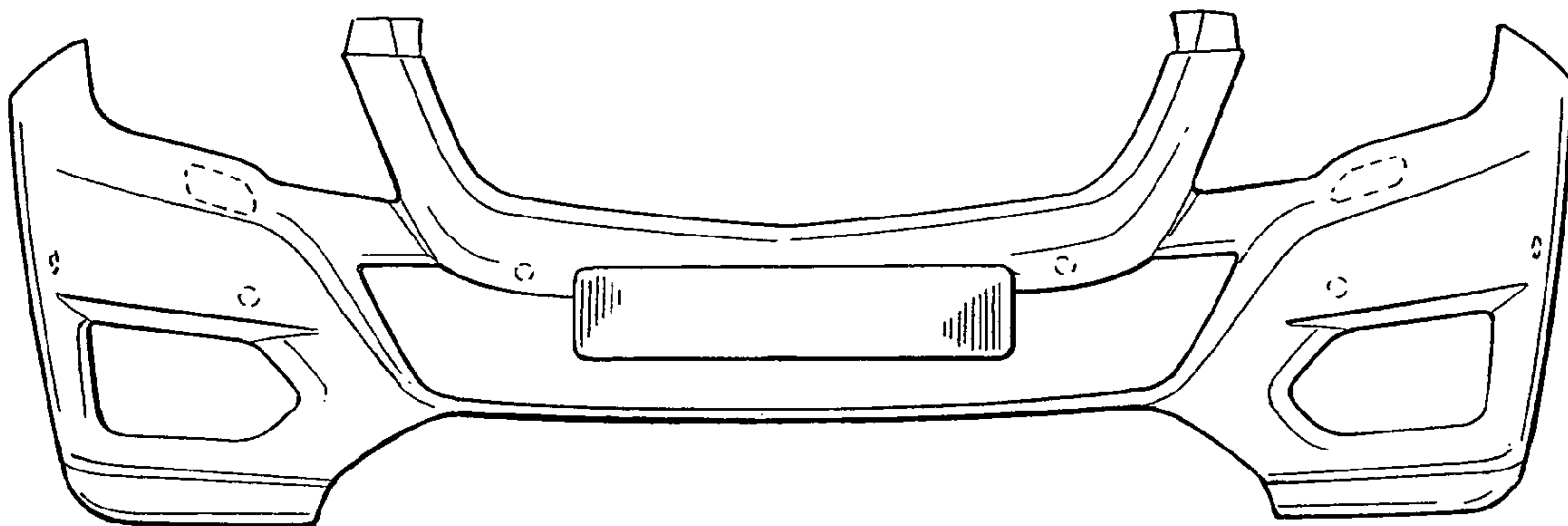


FIG. 7

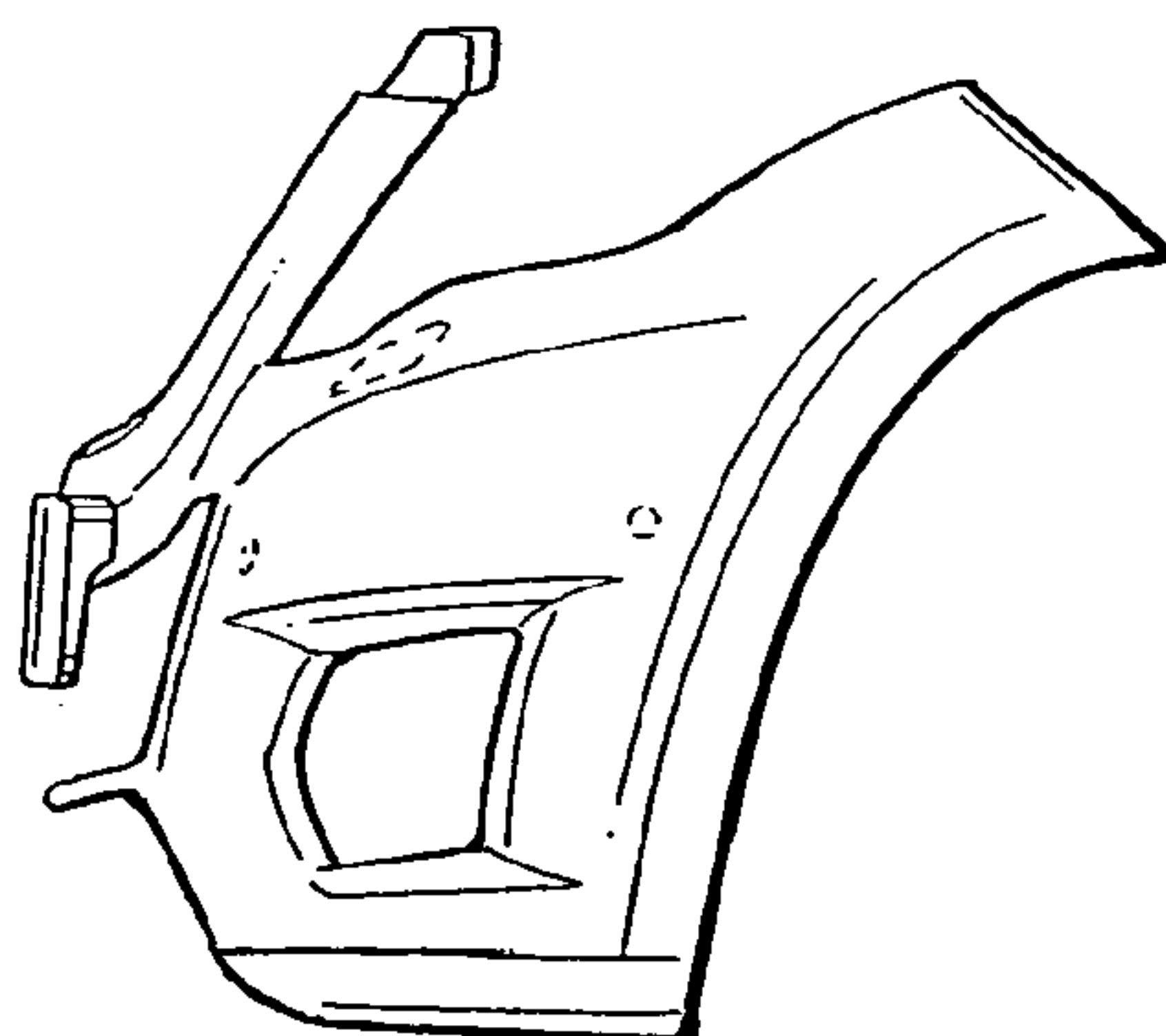


FIG. 8



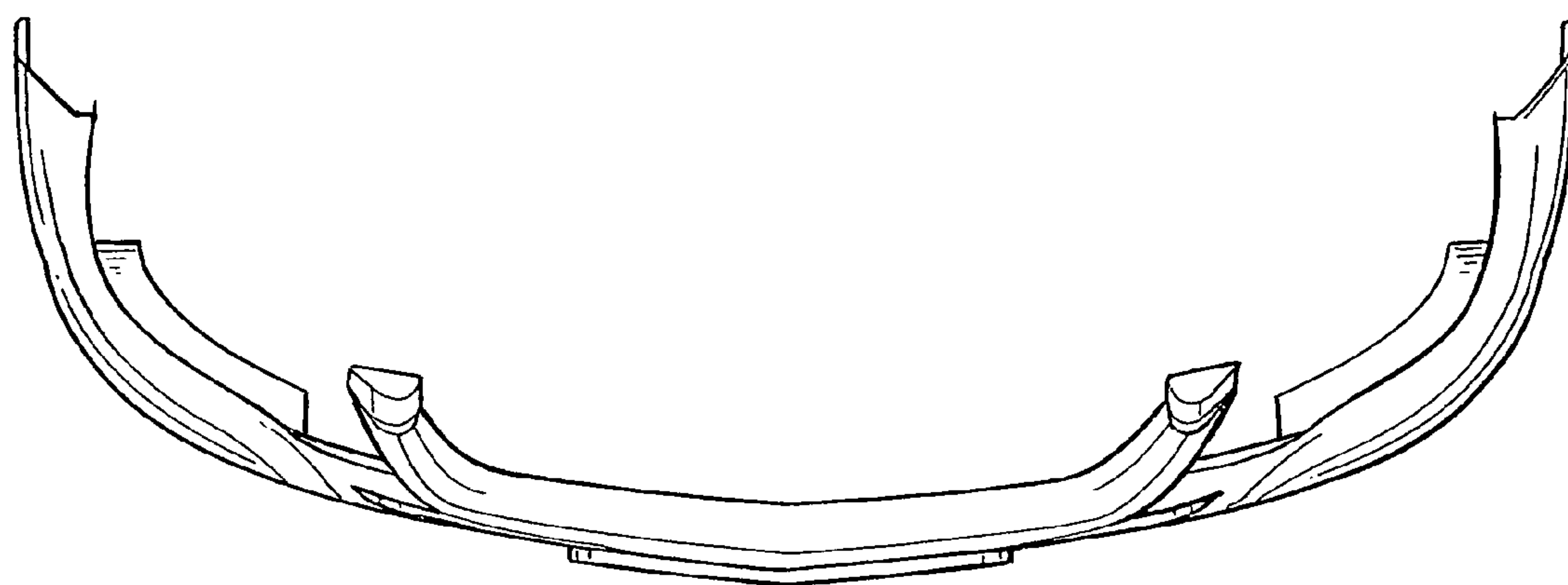


FIG. 9

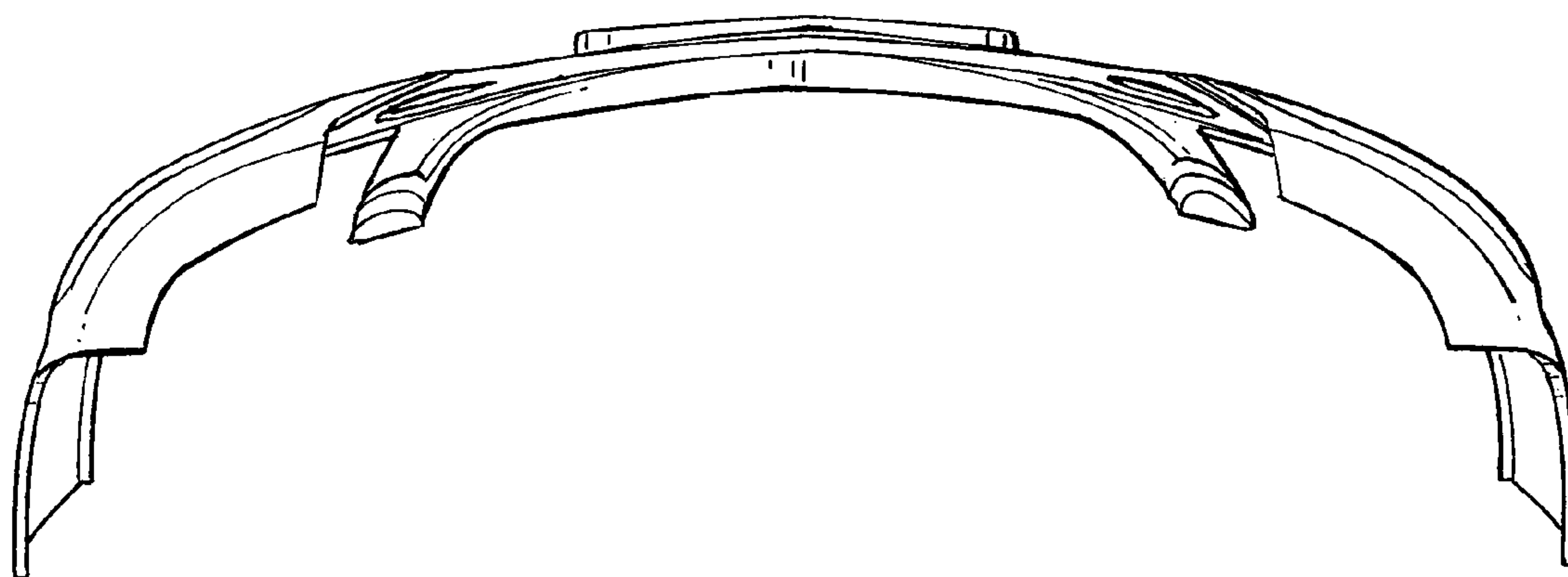


FIG. 10