



US00D673085S

(12) **United States Design Patent**
Deptola

(10) **Patent No.:** **US D673,085 S**
(45) **Date of Patent:** **** Dec. 25, 2012**

(54) **DOCK FENDER**

(76) Inventor: **David Christopher Deptola**, Crestwood, KY (US)

(**) Term: **14 Years**

(21) Appl. No.: **29/385,889**

(22) Filed: **Feb. 22, 2011**

(51) **LOC (9) Cl.** **12-16**

(52) **U.S. Cl.** **D12/168; D12/317**

(58) **Field of Classification Search** D12/168,
D12/300, 317; 14/76; 40/616; 267/139,
267/140; 405/211, 212, 213, 215, 216; D19/39;
D10/62, 64; 114/219, 220

See application file for complete search history.

(56) **References Cited**

U.S. PATENT DOCUMENTS

1,210,832	A *	1/1917	Phillips	405/212
1,776,955	A *	9/1930	Sheras	264/132
3,179,397	A *	4/1965	Cleereman et al.	267/140
3,183,875	A *	5/1965	Russell	114/219
3,335,689	A *	8/1967	Hein	114/219
3,506,528	A *	4/1970	Dean	428/41.3
D220,226	S *	3/1971	Narabu	D12/168
4,198,774	A *	4/1980	Roberts et al.	40/587
4,776,121	A *	10/1988	Vicino	40/610
D299,915	S *	2/1989	Ullman et al.	D12/168
4,964,760	A *	10/1990	Hartman	405/215
5,027,736	A *	7/1991	Drews	114/219
D398,864	S *	9/1998	Dietterich et al.	D10/62
6,095,074	A *	8/2000	Reinhardt	114/219
6,948,440	B2 *	9/2005	Aschenbach	114/219
7,036,448	B1 *	5/2006	Holmes	114/219
7,152,353	B2 *	12/2006	Jurkovic et al.	40/615

FOREIGN PATENT DOCUMENTS

EM 001800905--0001 * 3/2011

OTHER PUBLICATIONS

“DockDR 1.2”, MAC.SOFTPEDIA.COM, [online], last updated Aug. 22, 2008 [retrieved on Jul. 30, 2012] Retrieved from the internet: <URL: <http://mac.softpedia.com/get/Wallpapers/DockDR.shtml>>.*

* cited by examiner

Primary Examiner — Jeffrey D Asch

Assistant Examiner — Martie K Holtje

(74) *Attorney, Agent, or Firm* — Middleton Reutlinger; Alexander P. Brackett

(57) **CLAIM**

The ornamental design for a dock fender, as shown and described.

DESCRIPTION

FIG. 1 is a front perspective view of a dock fender of the present invention;

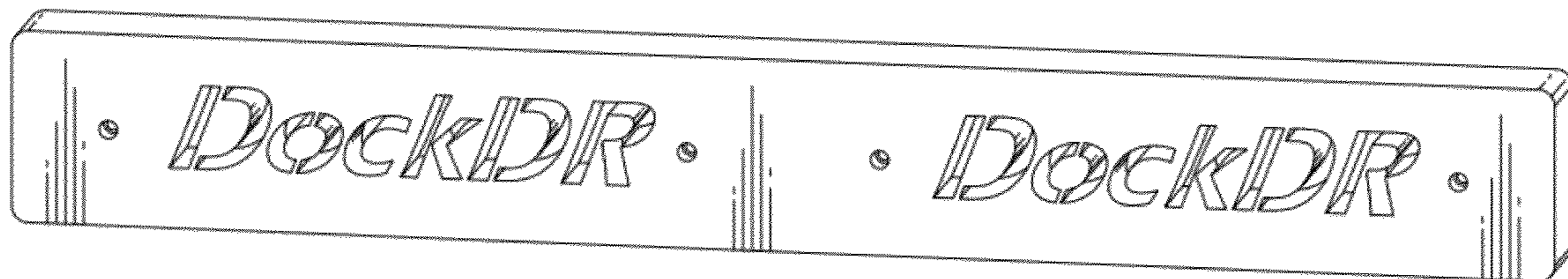
FIG. 2 is a bottom view of the dock fender of FIG. 1. The top view of the dock fender is a mirror image of the bottom view of the dock fender of FIG. 1;

FIG. 3 is a front view of the dock fender of FIG. 1;

FIG. 4 is a side view of the dock fender of FIG. 1; and,

FIG. 5 is a rear view of the dock fender of FIG. 1.

1 Claim, 3 Drawing Sheets



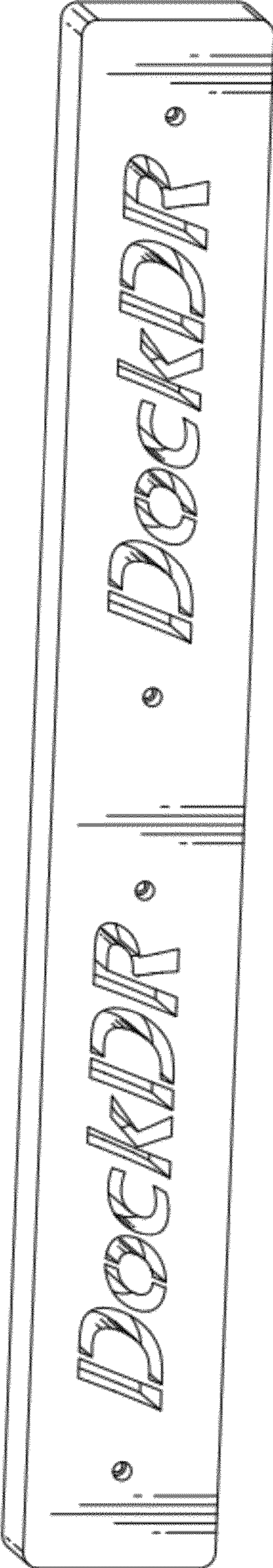


FIG. 1

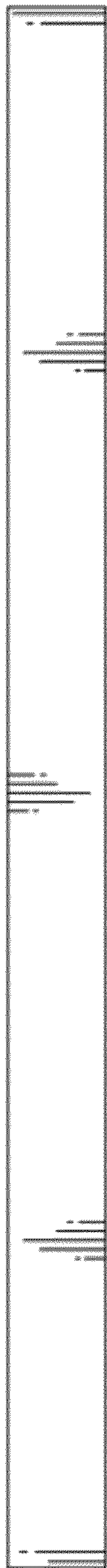


FIG. 2

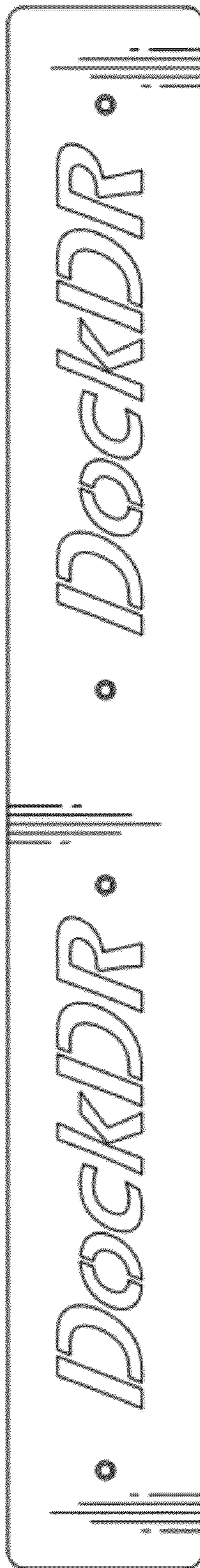


FIG. 3

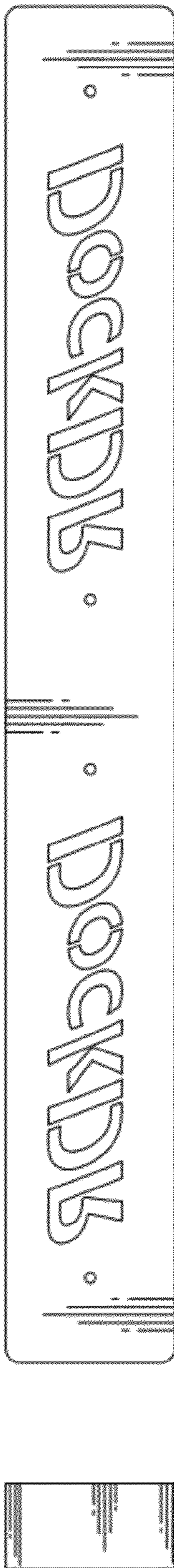


FIG. 4

FIG. 5