



US00D673084S

(12) **United States Design Patent**  
**Wu**

(10) **Patent No.:** **US D673,084 S**

(45) **Date of Patent:** **\*\* Dec. 25, 2012**

(54) **AUTOMOBILE REAR BUMPER HITCH AND PROTECTOR**

(76) Inventor: **Yim Man Wu**, Elmhurst, NY (US)

(\*\*) Term: **14 Years**

(21) Appl. No.: **29/374,147**

(22) Filed: **Jul. 11, 2011**

(51) **LOC (9) Cl.** ..... **12-16**

(52) **U.S. Cl.** ..... **D12/162**

(58) **Field of Classification Search** ..... D12/159,  
D12/160, 161, 162, 203; 172/47; 224/42.11,  
224/42.12, 42.14, 42.26, 400, 401, 412, 413,  
224/488, 494, 537; 37/399; 56/DIG. 14;  
280/406.2, 407, 407.1, 408, 411.1, 416.1,  
280/416.2, 416.3, 418, 418.1, 433, 434, 435,  
280/441.1, 441.2, 455.1, 456.1, 480, 493,  
280/504, 508, 511

See application file for complete search history.

(56) **References Cited**

**U.S. PATENT DOCUMENTS**

D64,901 S \* 6/1924 Harvey ..... D12/169  
5,829,774 A \* 11/1998 Klemp ..... 280/507  
D444,754 S \* 7/2001 Storer ..... D12/203  
D463,345 S \* 9/2002 Cipolla ..... D12/203

6,659,519 B2 \* 12/2003 Turner ..... 293/117  
D491,509 S \* 6/2004 Bundy ..... D12/203  
D511,319 S \* 11/2005 Wang ..... D12/203  
D532,354 S \* 11/2006 Storer ..... D12/203  
D645,805 S \* 9/2011 Vukel ..... D12/203

\* cited by examiner

*Primary Examiner* — Michael A Pratt

(74) *Attorney, Agent, or Firm* — James R. Coleman, Jr.

(57) **CLAIM**

I claim the design for an automobile rear bumper hitch and protector, as illustrated in the figures described herein.

**DESCRIPTION**

FIG. 1 is a view of the bumper hitch and guard as seen from directly behind the automobile (not illustrated).

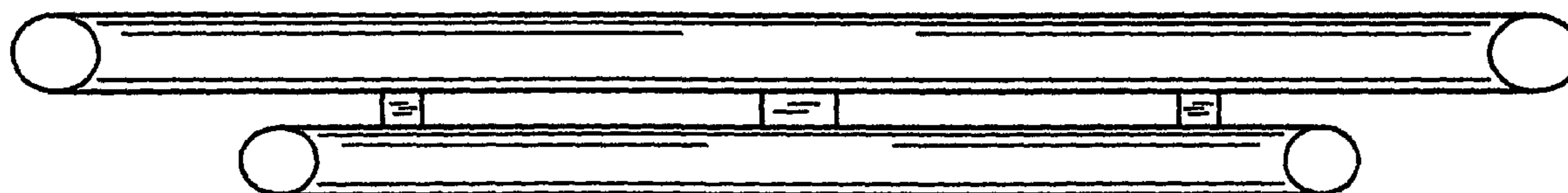
FIG. 2 is a view of the bumper hitch and guard as seen from above.

FIG. 3 is a view of the bumper hitch and guard as seen from below.

FIG. 4 is a view of the bumper hitch and guard as seen from the right side where right side refers to the right side of the automobile (not illustrated); and,

FIG. 5 is a perspective view of the bumper hitch and guard as seen from above and to the right.

**1 Claim, 3 Drawing Sheets**



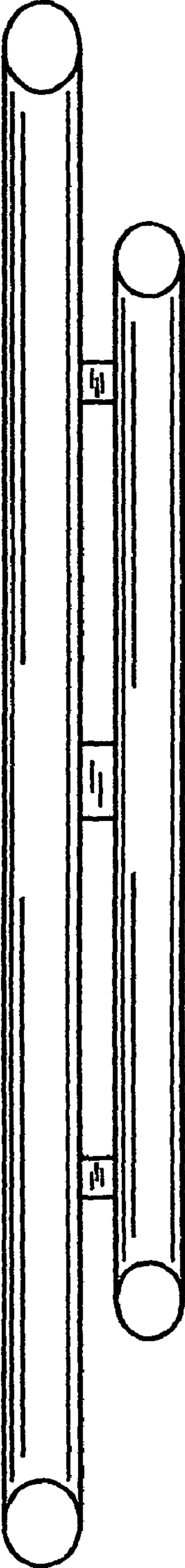


FIG. 1

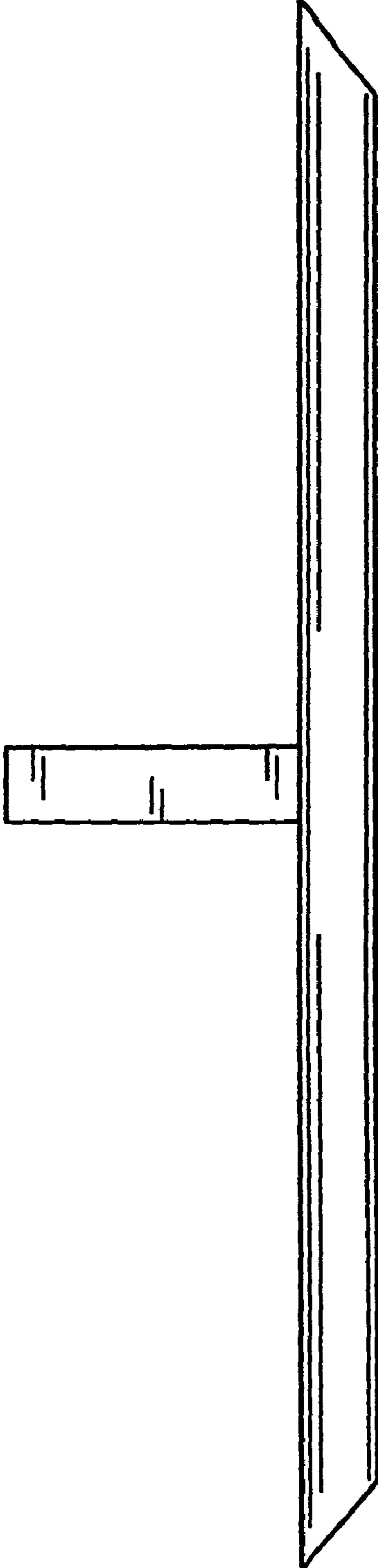


FIG. 2

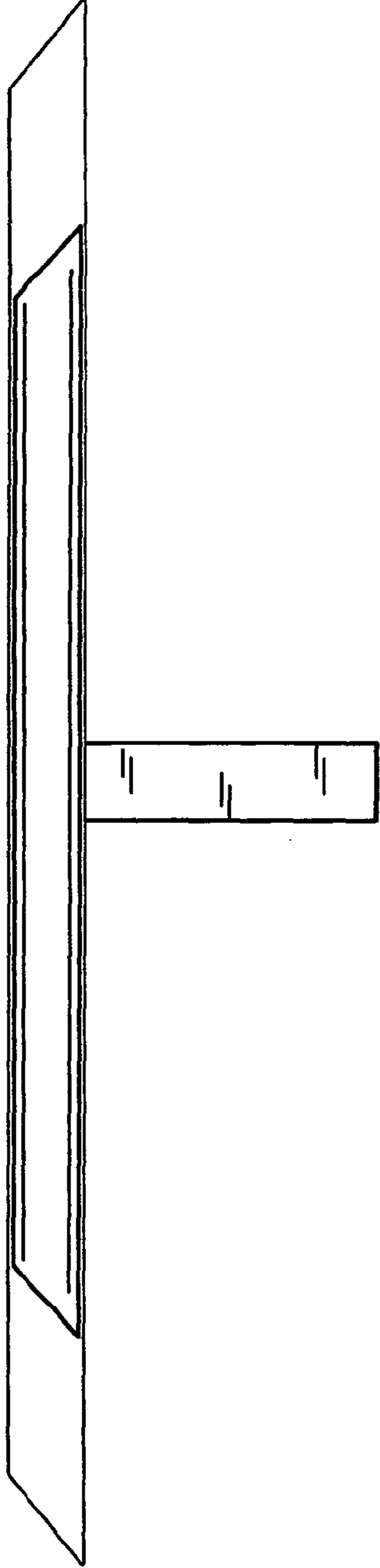


FIG. 3

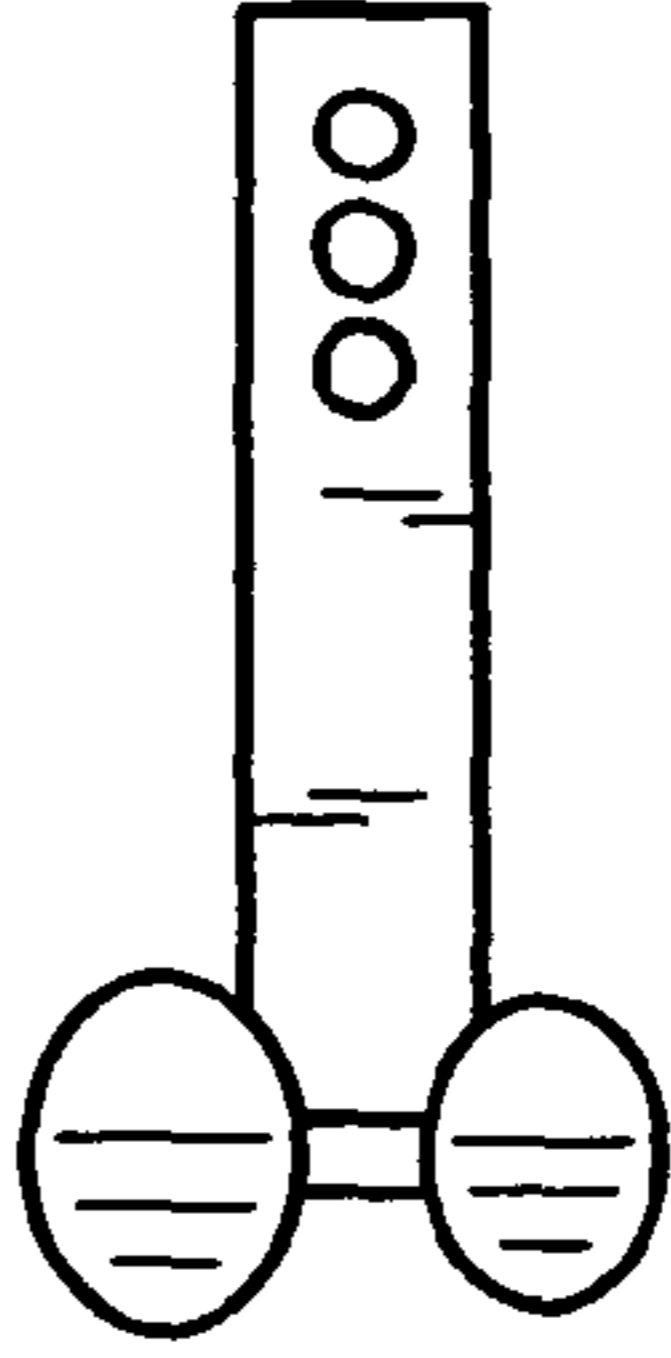


FIG. 4

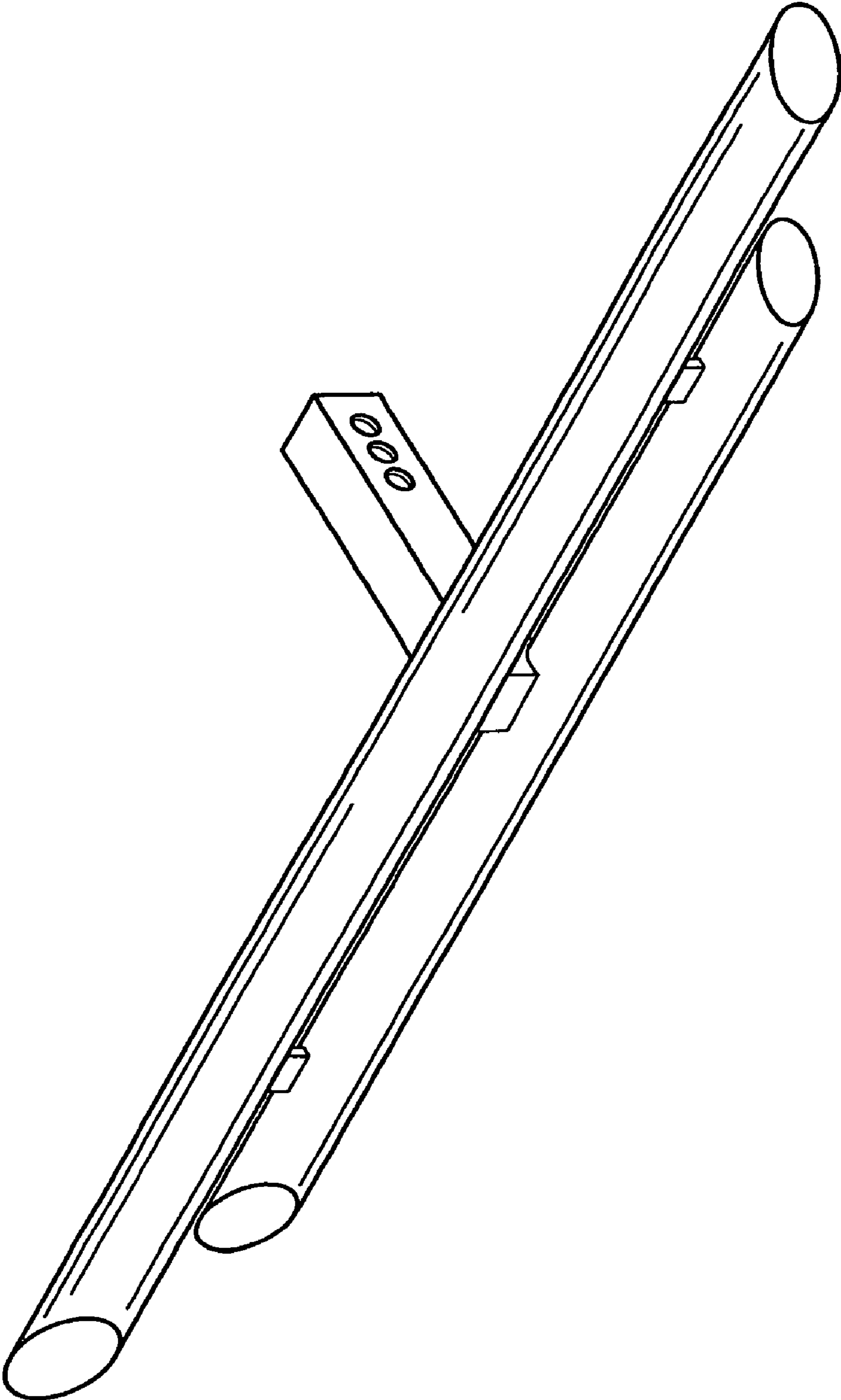


FIG. 5