



US00D673083S

(12) **United States Design Patent**
Daff

(10) **Patent No.:** **US D673,083 S**
(45) **Date of Patent:** **** Dec. 25, 2012**

(54) **WHEELCHAIR BASE**

FOREIGN PATENT DOCUMENTS

(75) Inventor: **Ashley Daff**, Frankston (AU)

AU 332749 S 9/2010

* cited by examiner

(73) Assignee: **Red Milawa Pty. Ltd.**, Victoria (AU)

Primary Examiner — Ian Simmons

(**) Term: **14 Years**

Assistant Examiner — Charles Hanson

(21) Appl. No.: **29/400,282**

(74) *Attorney, Agent, or Firm* — Faegre Baker Daniels LLP

(22) Filed: **Aug. 25, 2011**

(51) **LOC (9) Cl.** **12-12**

(52) **U.S. Cl.** **D12/133**

(58) **Field of Classification Search** D12/128–133;
280/62, 647–650, 29, 200, 47.38, 250.1,
280/259, 642, 658, 220

See application file for complete search history.

(57) **CLAIM**

The ornamental design for wheelchair base, as shown and described.

DESCRIPTION

FIG. 1 is a back perspective view.

FIG. 2 is a back view.

FIG. 3 is a front view.

FIG. 4 is a right side view.

FIG. 5 is a left side view.

FIG. 6 is a top view; and,

FIG. 7 is a bottom view.

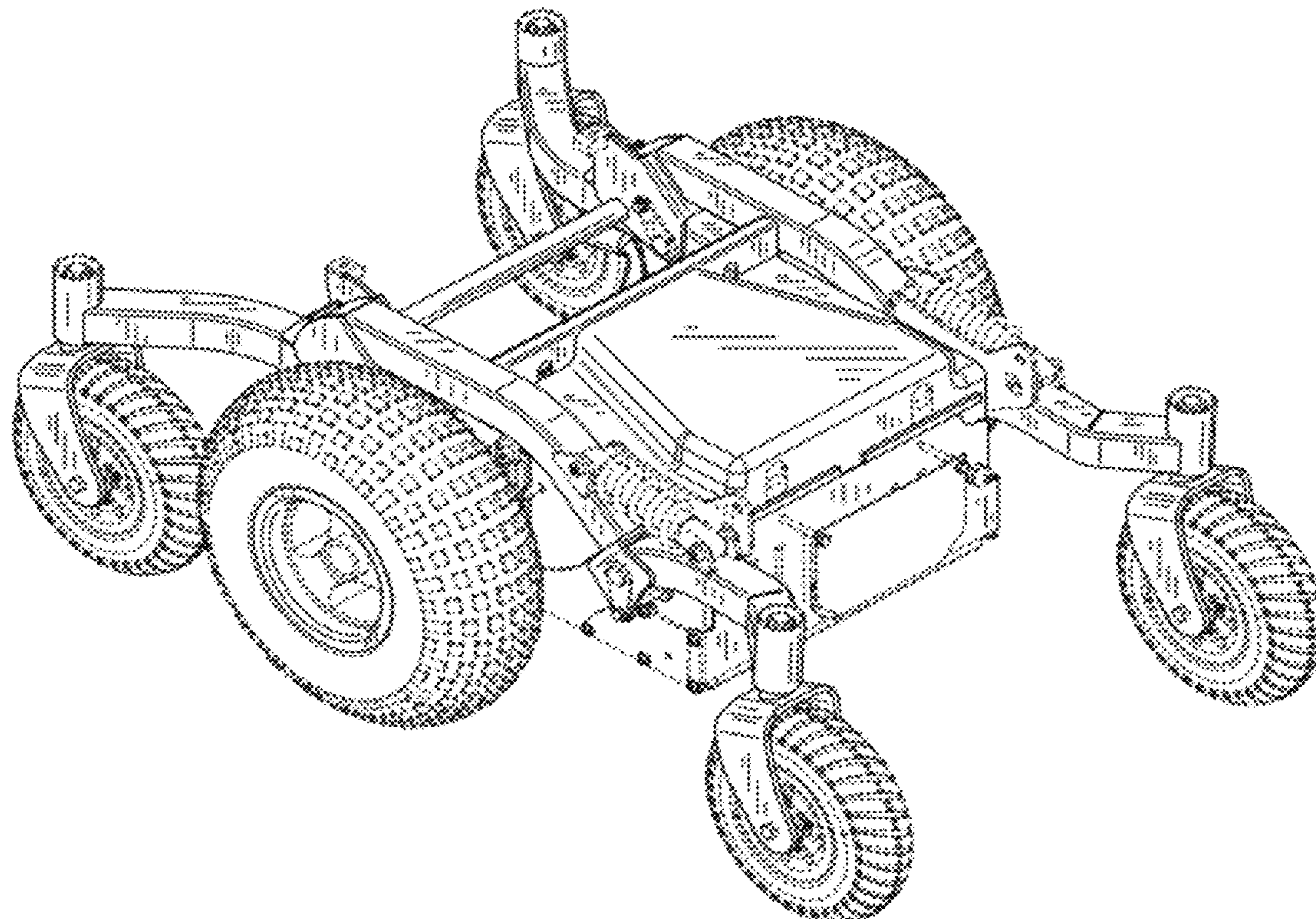
The broken line showing of the tires and other frame elements is for illustrative purpose only and forms no part of the claimed design.

(56) **References Cited**

U.S. PATENT DOCUMENTS

D380,991 S *	7/1997	Deming	D12/131
6,312,000 B1 *	11/2001	Pauls et al.	280/250.1
6,352,273 B1 *	3/2002	Dickie	280/220
D491,494 S *	6/2004	Lippert	D12/128
7,021,641 B2 *	4/2006	Wu	280/250.1
D569,769 S *	5/2008	Chiu et al.	D12/131
D590,304 S *	4/2009	Kruse	D12/131
7,828,310 B2 *	11/2010	Vreeswijk et al.	280/250.1
D632,229 S *	2/2011	Kruse	D12/131

1 Claim, 7 Drawing Sheets



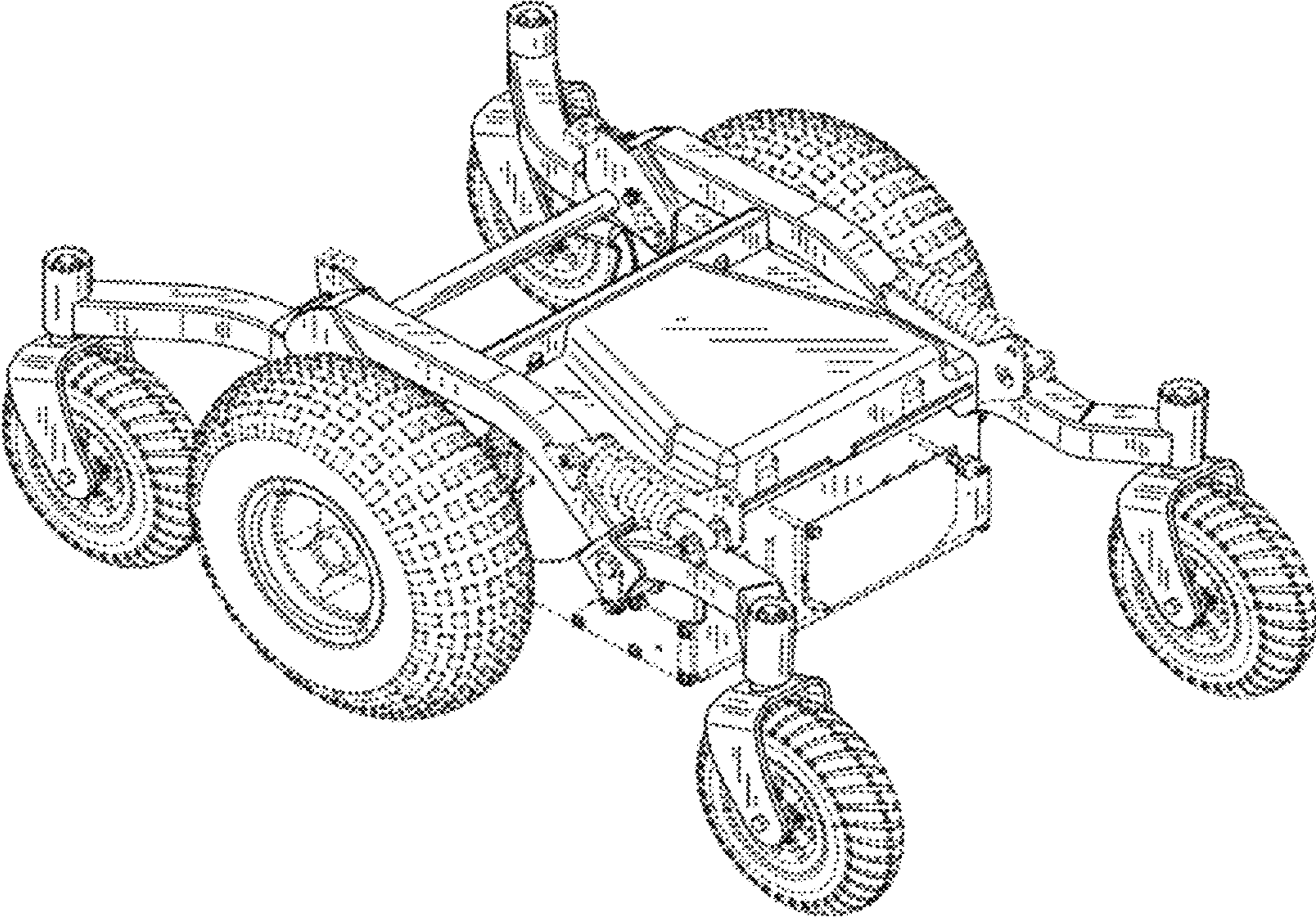


FIG.1

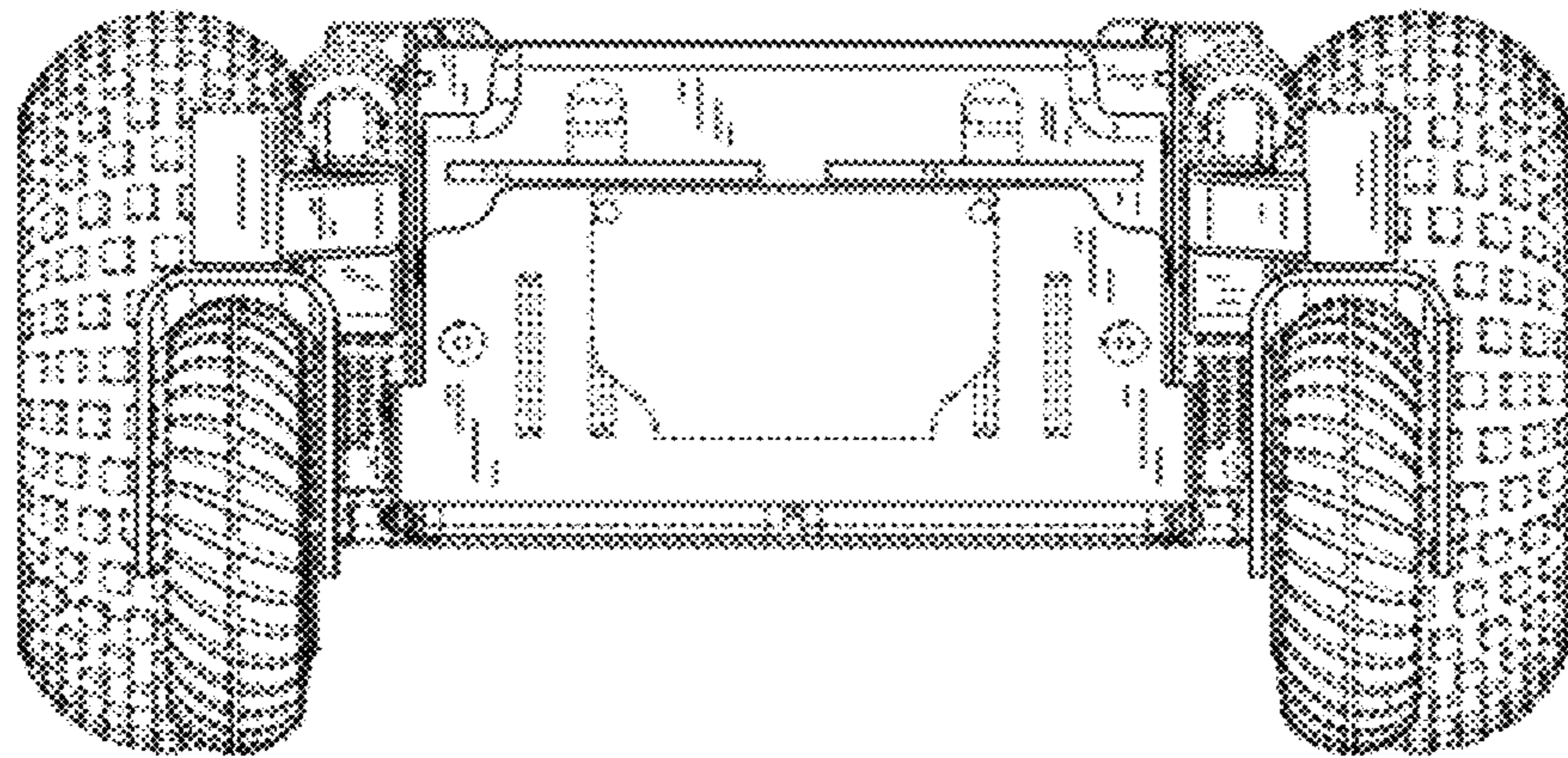


FIG.2

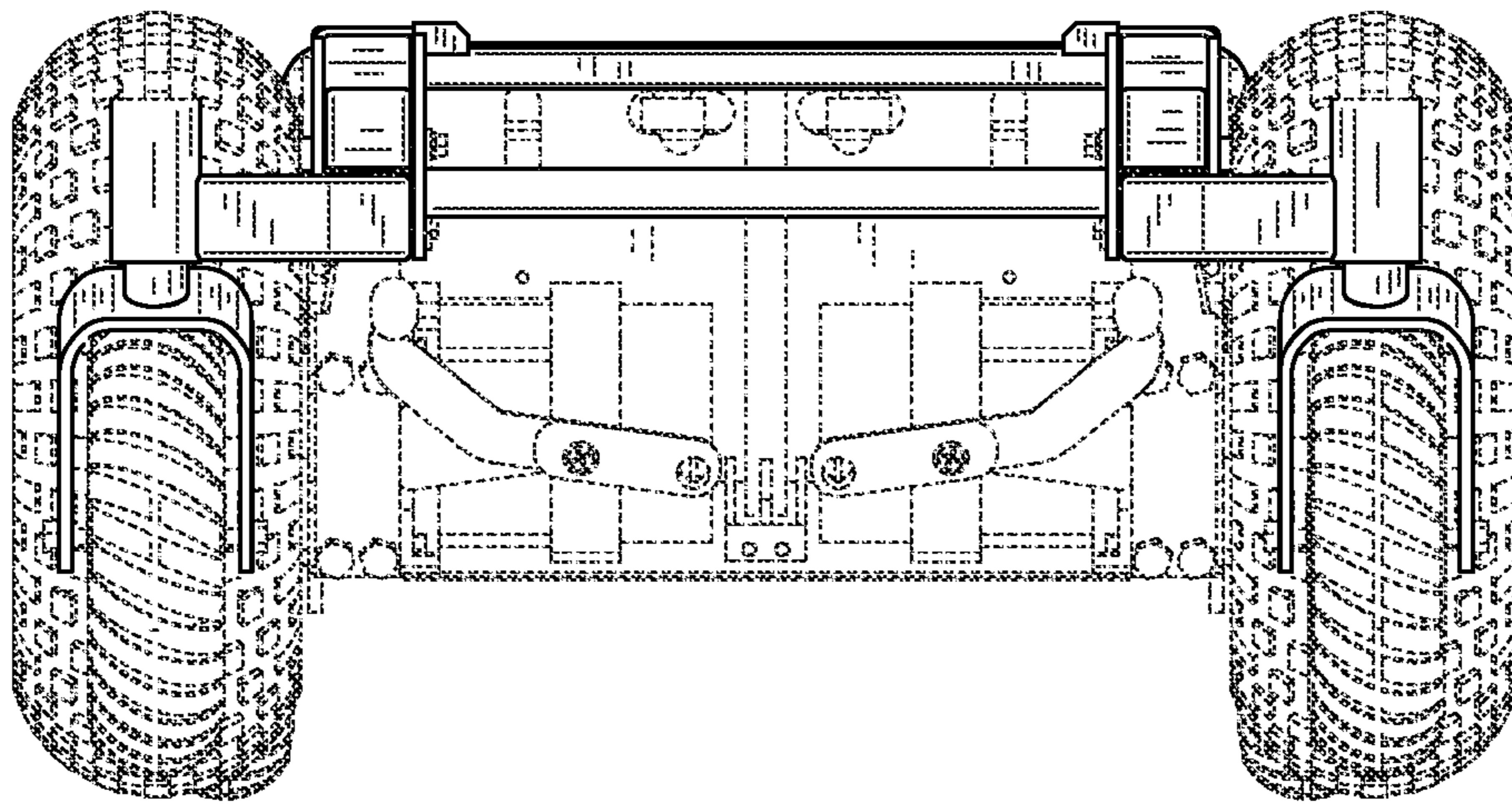


FIG.3

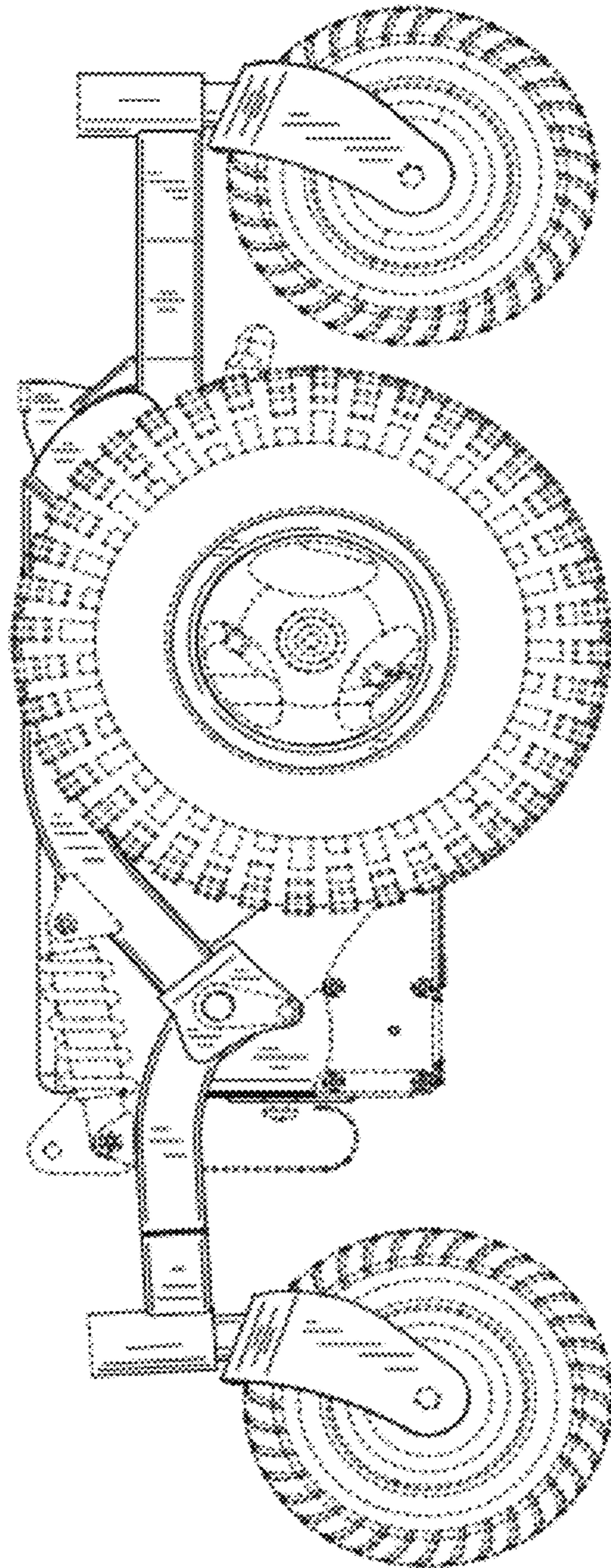


FIG.4

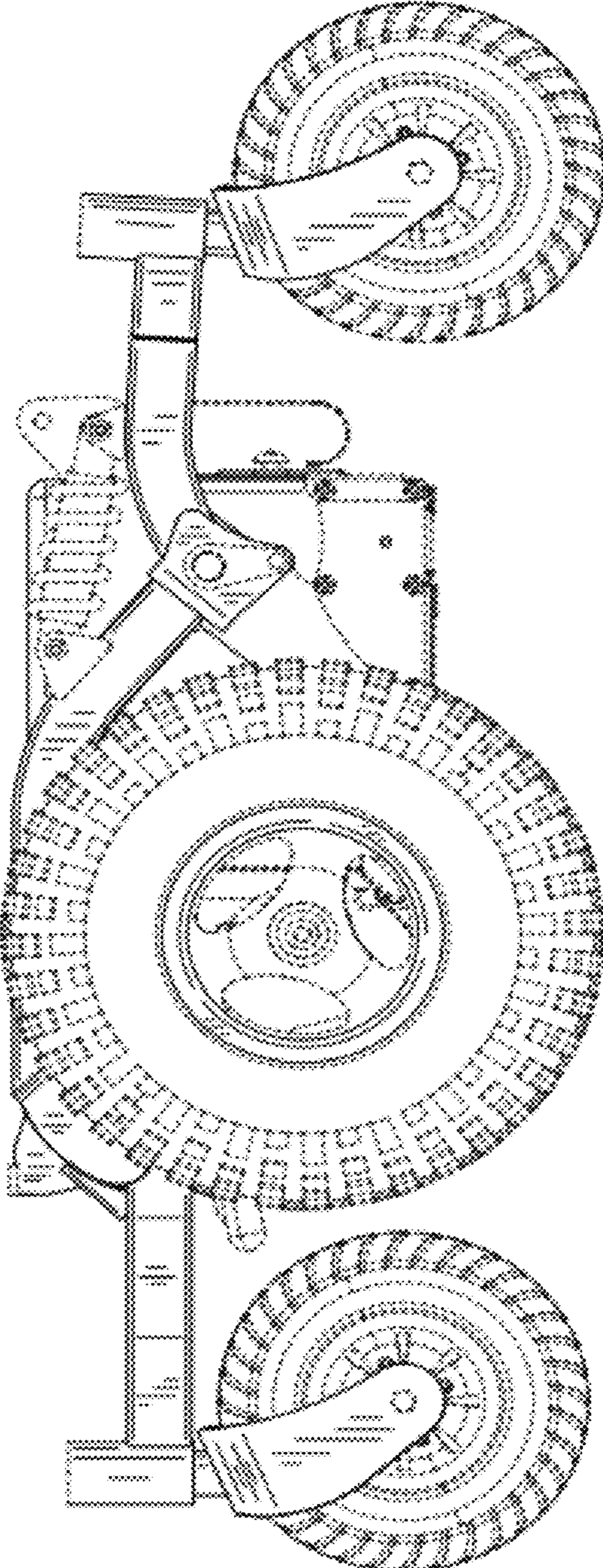


FIG.5

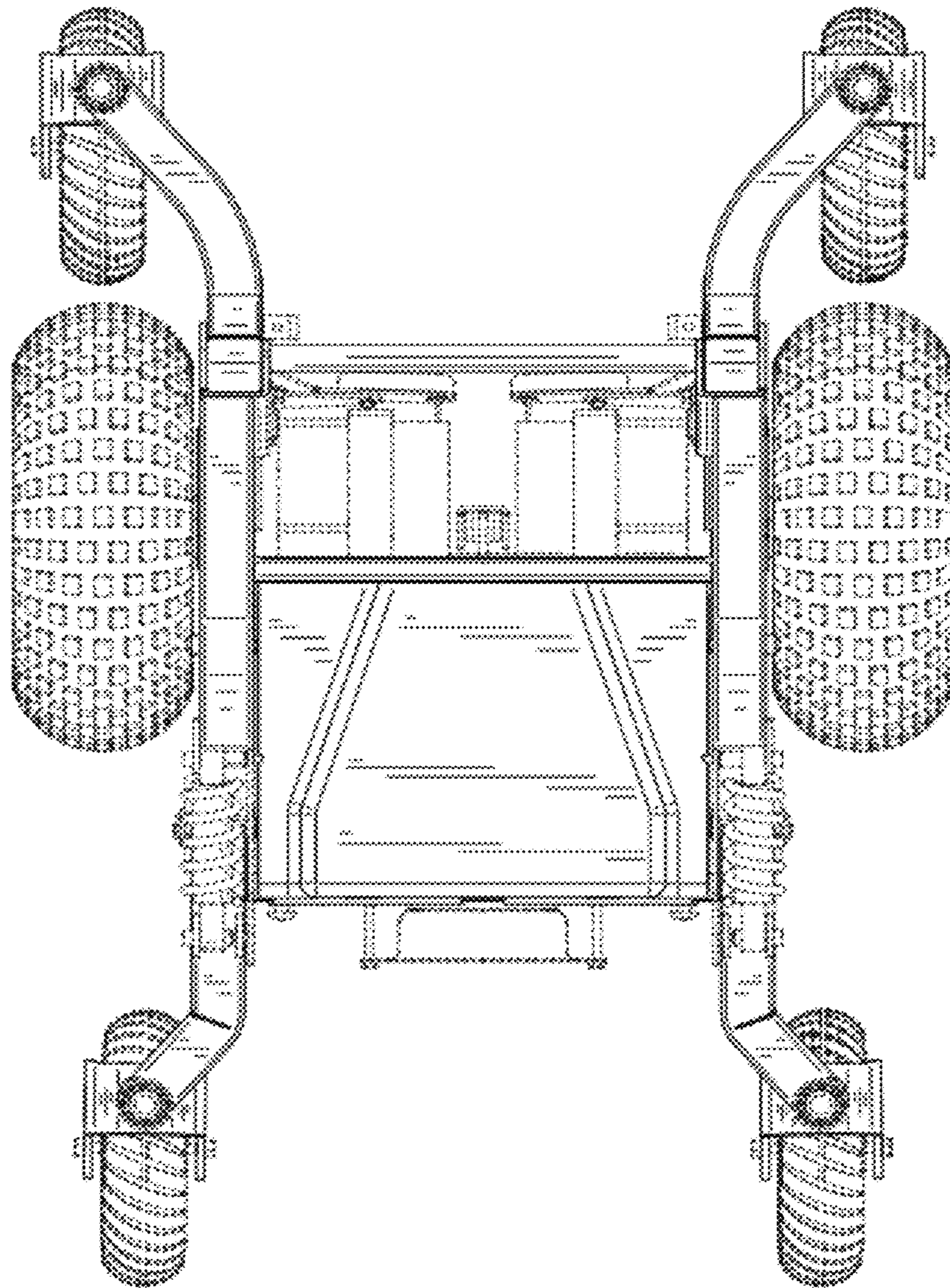


FIG.6

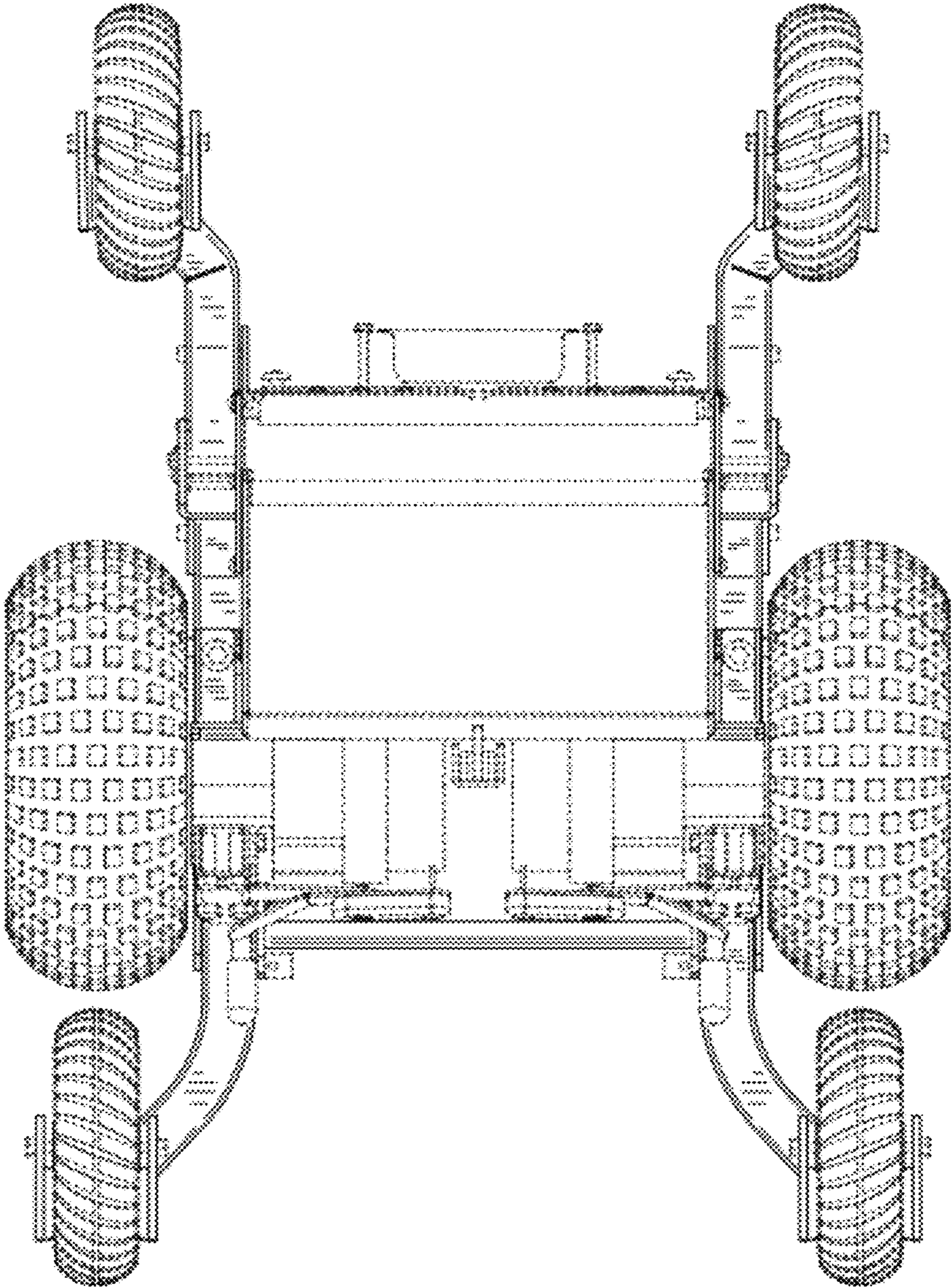


FIG. 7