



US00D673082S

(12) **United States Design Patent**
AlGhazi

(10) **Patent No.:** **US D673,082 S**
(45) **Date of Patent:** **** Dec. 25, 2012**

(54) **PORTABLE MOBILITY DEVICE**

(76) Inventor: **Ahmad AlSayed M. AlGhazi**, Santa Clara, CA (US)

(**) Term: **14 Years**

(21) Appl. No.: **29/406,236**

(22) Filed: **Nov. 10, 2011**

(51) **LOC (9) Cl.** **12-12**

(52) **U.S. Cl.** **D12/130**

(58) **Field of Classification Search** D12/128-133;
280/62, 647-650, 29, 200, 47.38, 250.1,
280/259, 642, 658, 304.1; 128/99.1, 100.1
See application file for complete search history.

(56) **References Cited**

U.S. PATENT DOCUMENTS

5,255,934	A *	10/1993	Wilson	280/657
5,551,105	A *	9/1996	Short	5/87.1
6,991,242	B2 *	1/2006	Teng et al.	280/87.041
7,192,038	B2 *	3/2007	Tsai	280/87.041
7,363,931	B2 *	4/2008	Weaver	135/67
7,484,740	B2 *	2/2009	Miller	280/87.021
8,020,881	B2 *	9/2011	Stump et al.	280/87.041
2004/0094919	A1 *	5/2004	Roder et al.	280/30
2005/0039256	A1 *	2/2005	Price et al.	5/86.1
2007/0034243	A1 *	2/2007	Miller	135/67
2007/0182116	A1 *	8/2007	Davey et al.	280/87.05

* cited by examiner

Primary Examiner — Ian Simmons

Assistant Examiner — Charles Hanson

(74) *Attorney, Agent, or Firm* — Greenberg Traurig LLP;
Cecily Anne O'Regan

(57) **CLAIM**

The ornamental design for a portable mobility device, as shown and described.

DESCRIPTION

FIG. 1 is a perspective view of a portable mobility device in an expanded configuration.

FIG. 2 is a front plan view of a portable mobility device in an expanded configuration.

FIG. 3 is a rear plan view of a portable mobility device in an expanded configuration.

FIG. 4 is a right side plan view of a portable mobility device in an expanded configuration.

FIG. 5 is a left side plan view of a portable mobility device in an expanded configuration.

FIG. 6 is a top plan view of a portable mobility device in an expanded configuration.

FIG. 7 is a bottom plan view of a portable mobility device in an expanded configuration.

FIG. 8 is a perspective view of a portable mobility device in a partially collapsed configuration.

FIG. 9 is a front plan view of a portable mobility device in a partially collapsed configuration.

FIG. 10 is a rear plan view of a portable mobility device in a partially collapsed configuration.

FIG. 11 is a right side plan view of a portable mobility device in a partially collapsed configuration.

FIG. 12 is a left side plan view of a portable mobility device in a partially collapsed configuration.

FIG. 13 is a top plan view of a portable mobility device in a partially collapsed configuration.

FIG. 14 is a bottom plan view of a portable mobility device in a partially collapsed configuration.

FIG. 15 is a perspective view of a portable mobility device in a collapsed configuration.

FIG. 16 is a front plan view of a portable mobility device in a collapsed configuration.

FIG. 17 is a rear plan view of a portable mobility device in a collapsed configuration.

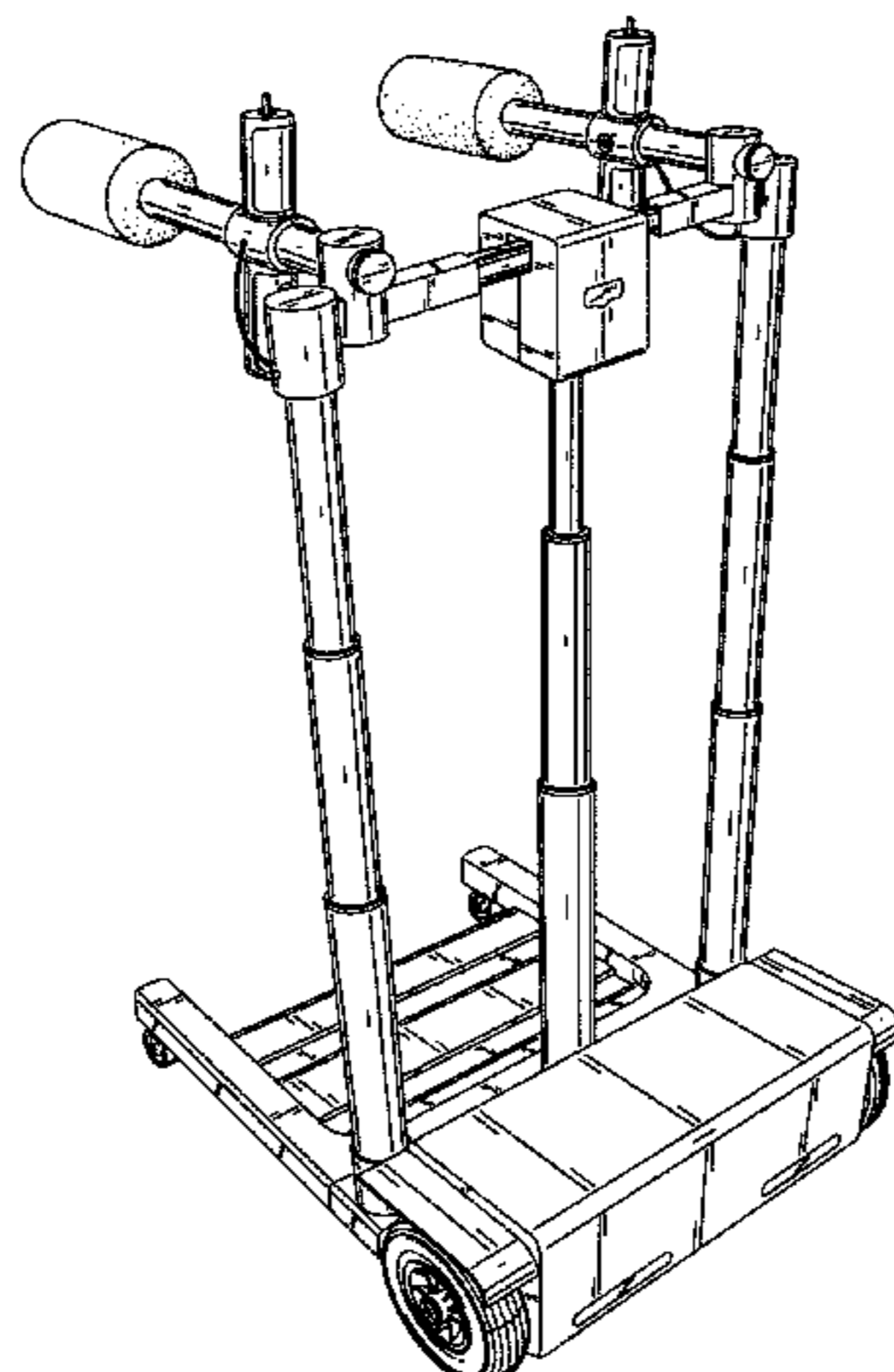
FIG. 18 is a right side plan view of a portable mobility device in a collapsed configuration.

FIG. 19 is a left side plan view of a portable mobility device in a collapsed configuration.

FIG. 20 is a top plan view of a portable mobility device in a collapsed configuration; and,

FIG. 21 is a bottom plan view of a portable mobility device in a collapsed configuration.

1 Claim, 21 Drawing Sheets



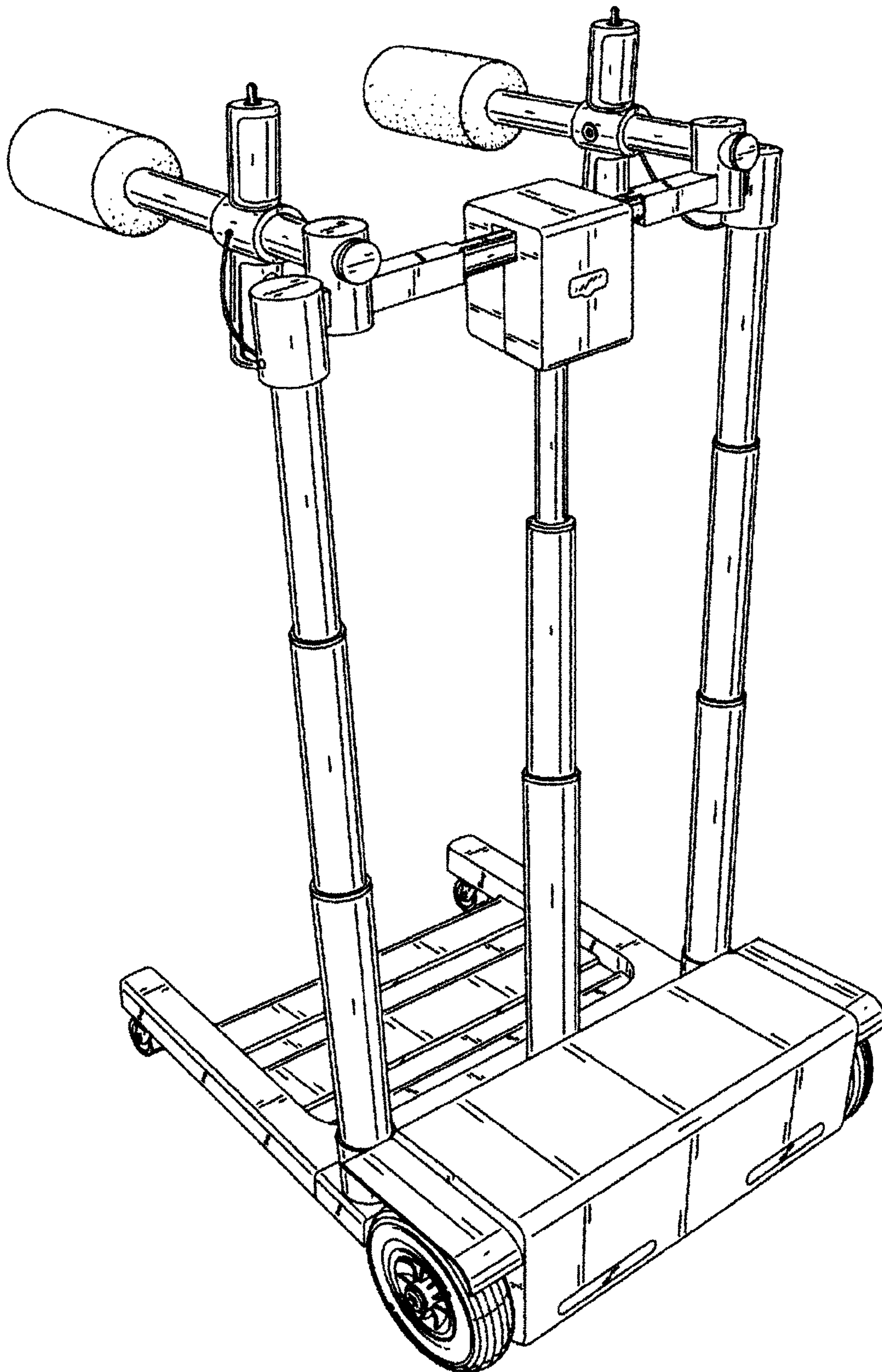


FIG. 1

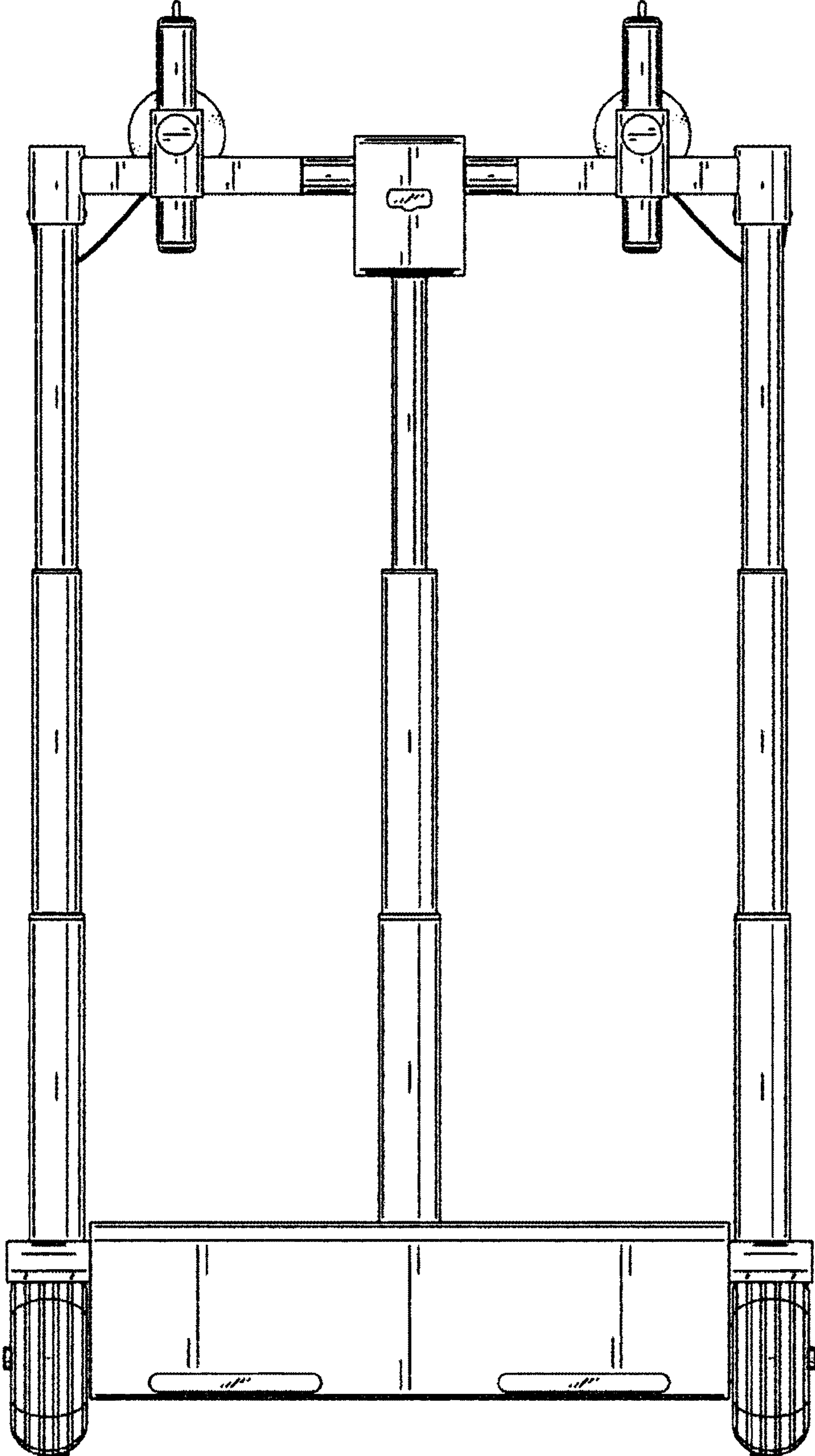


FIG. 2

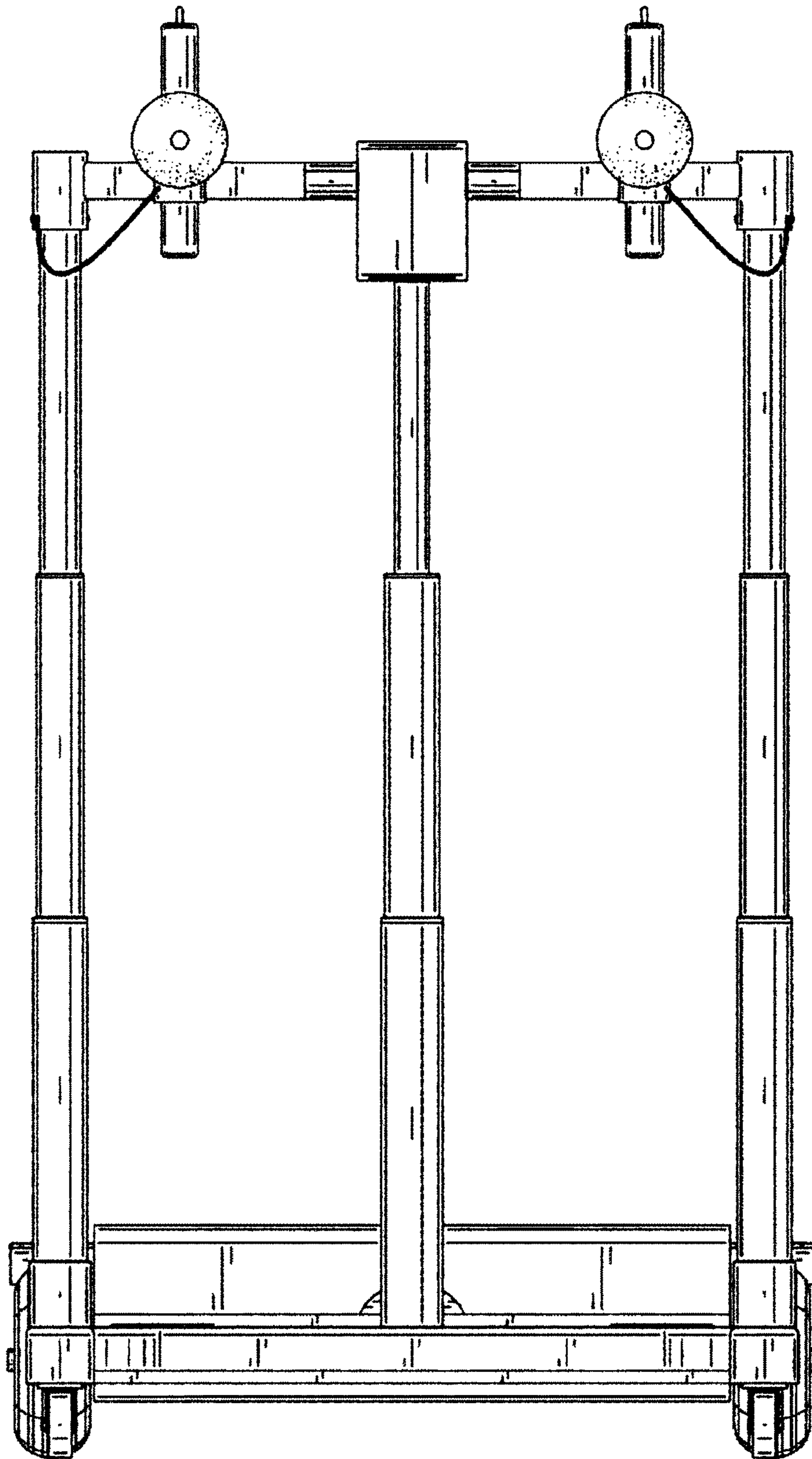


FIG. 3

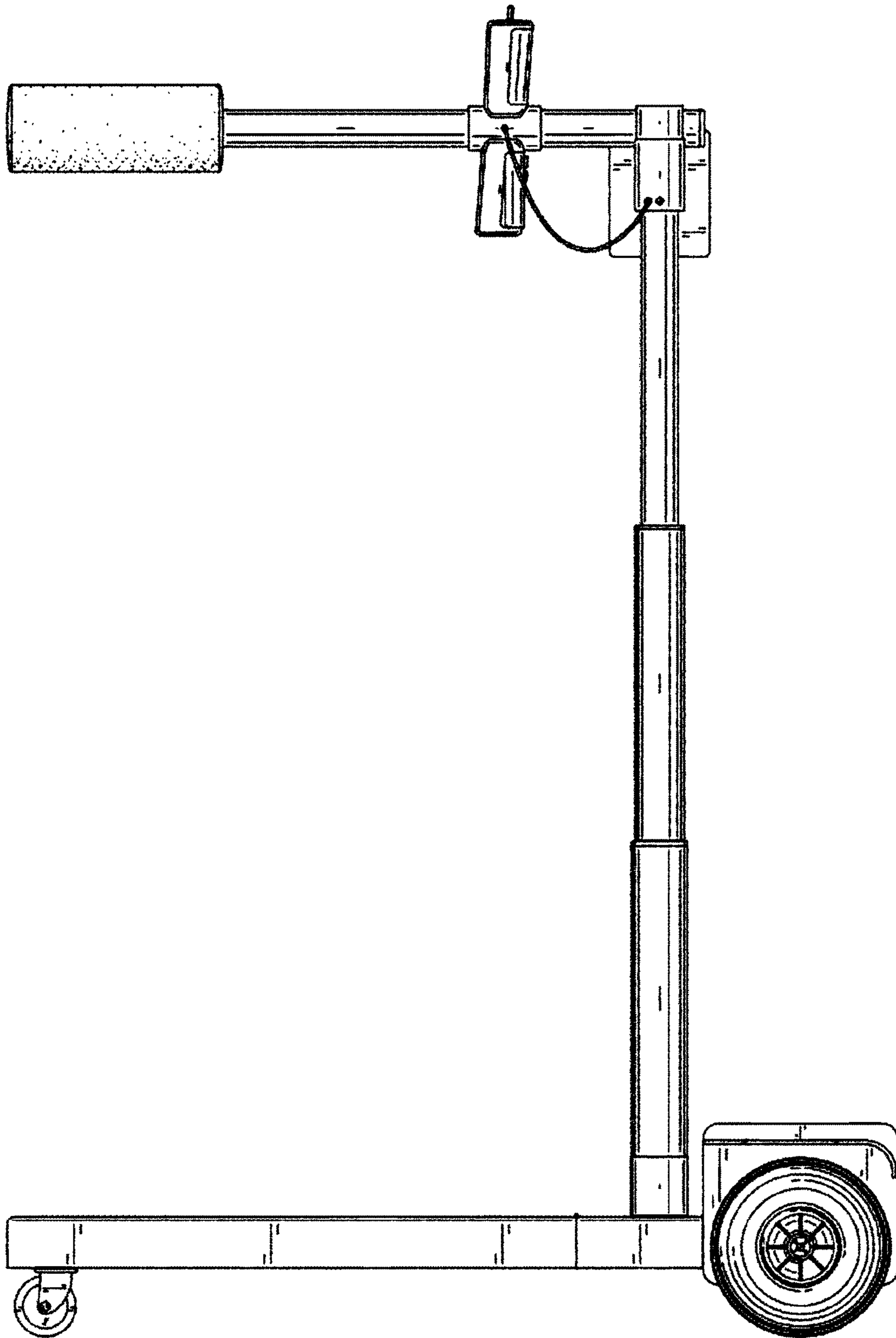


FIG. 4

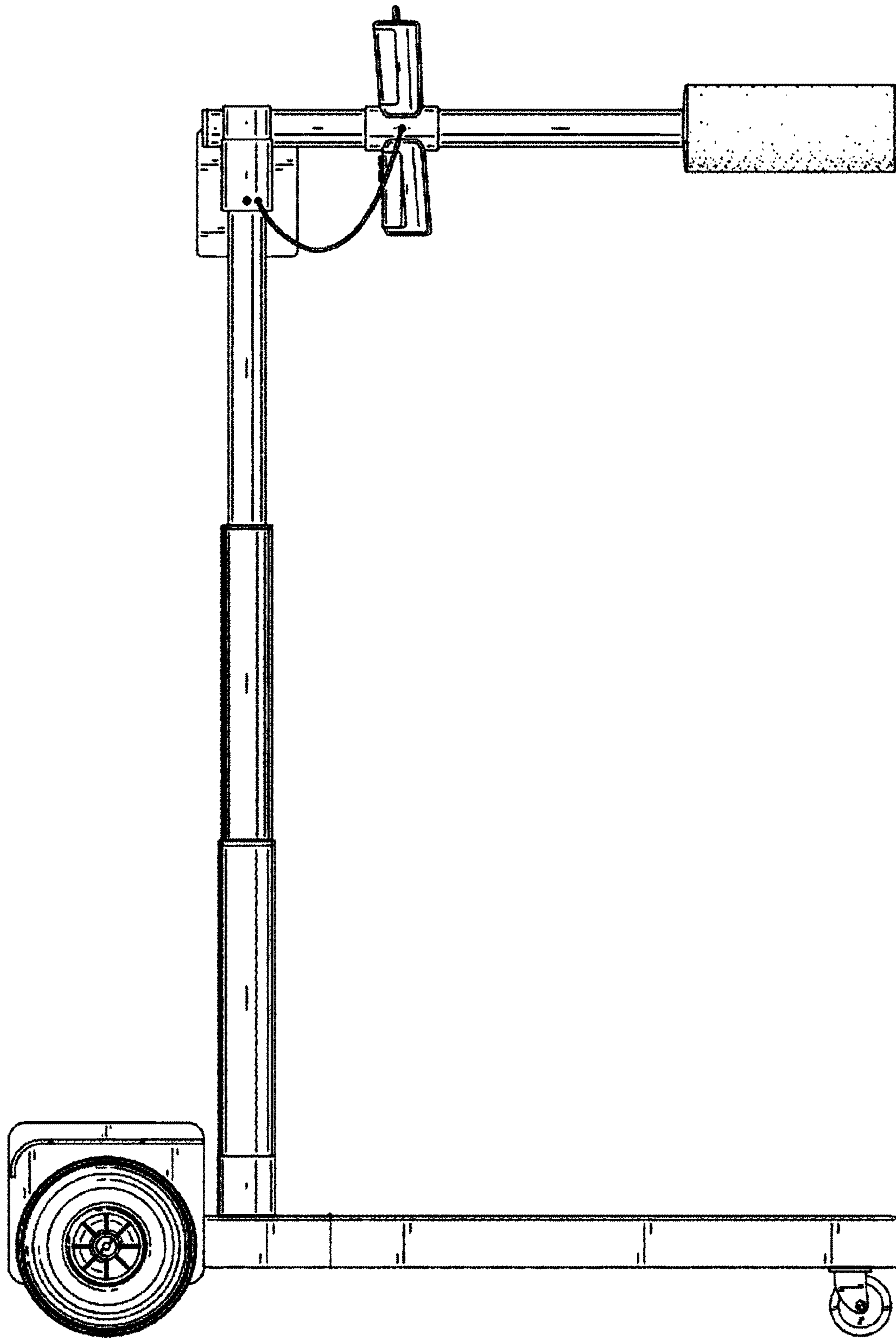


FIG. 5

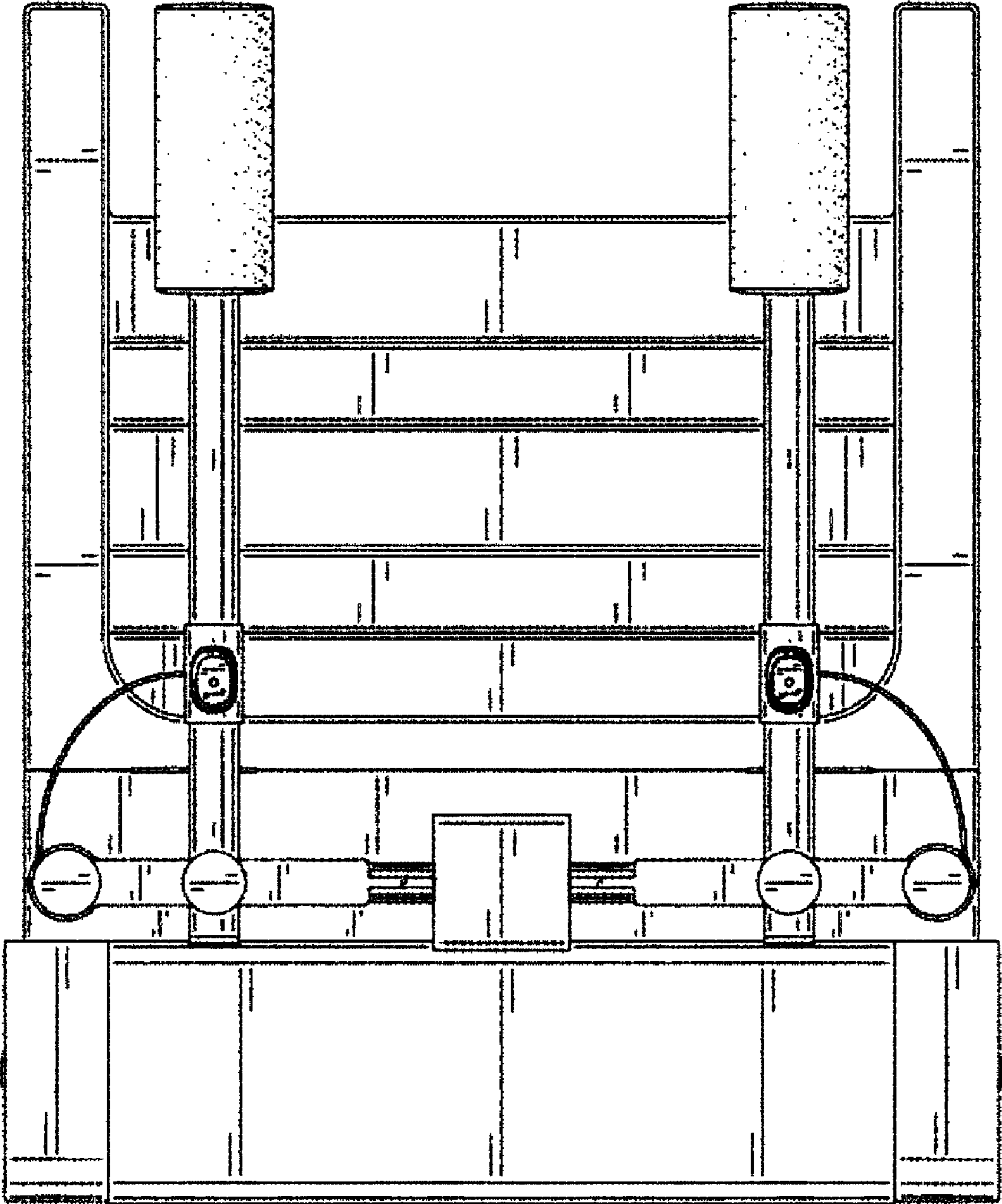


FIG. 6

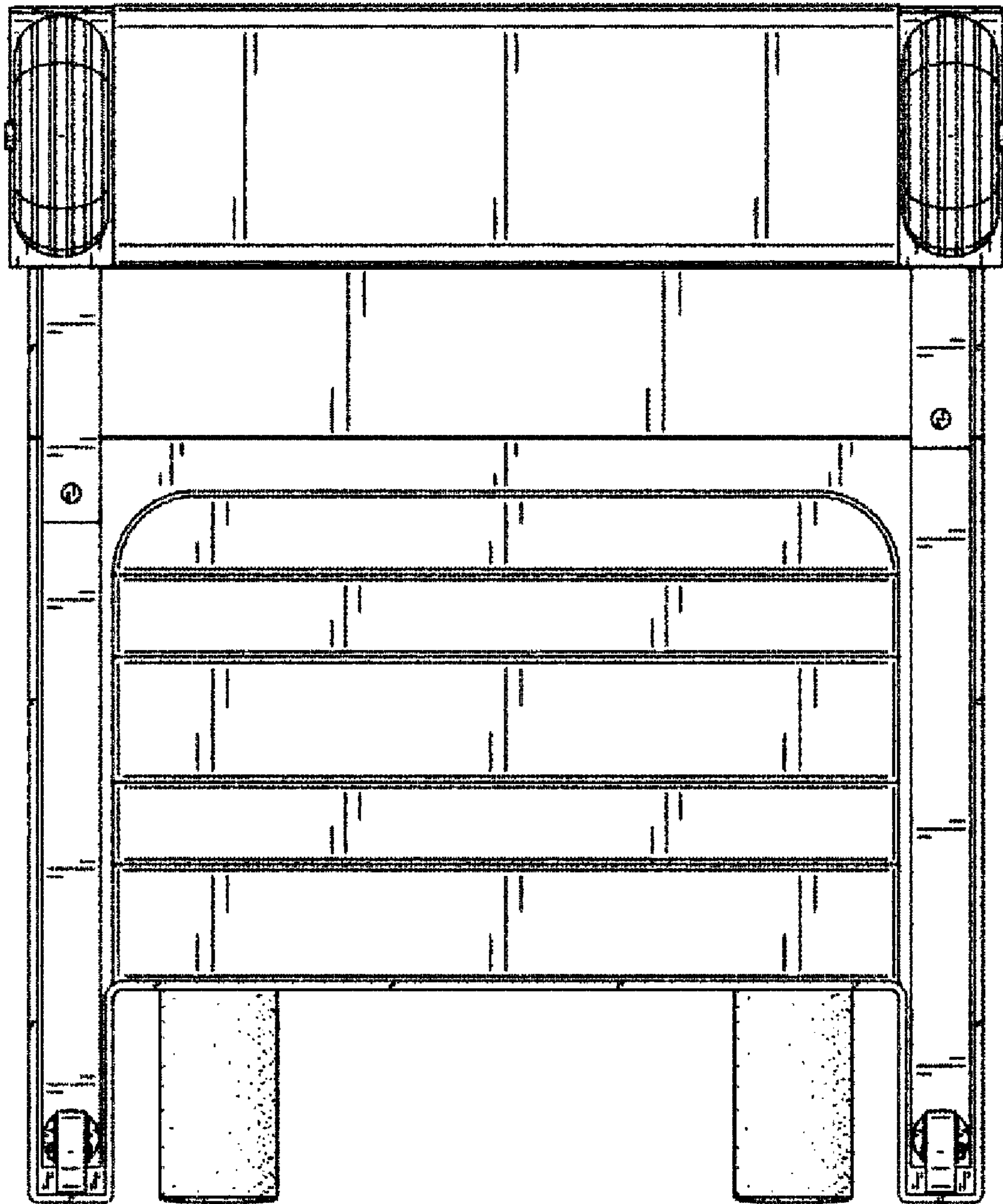


FIG. 7

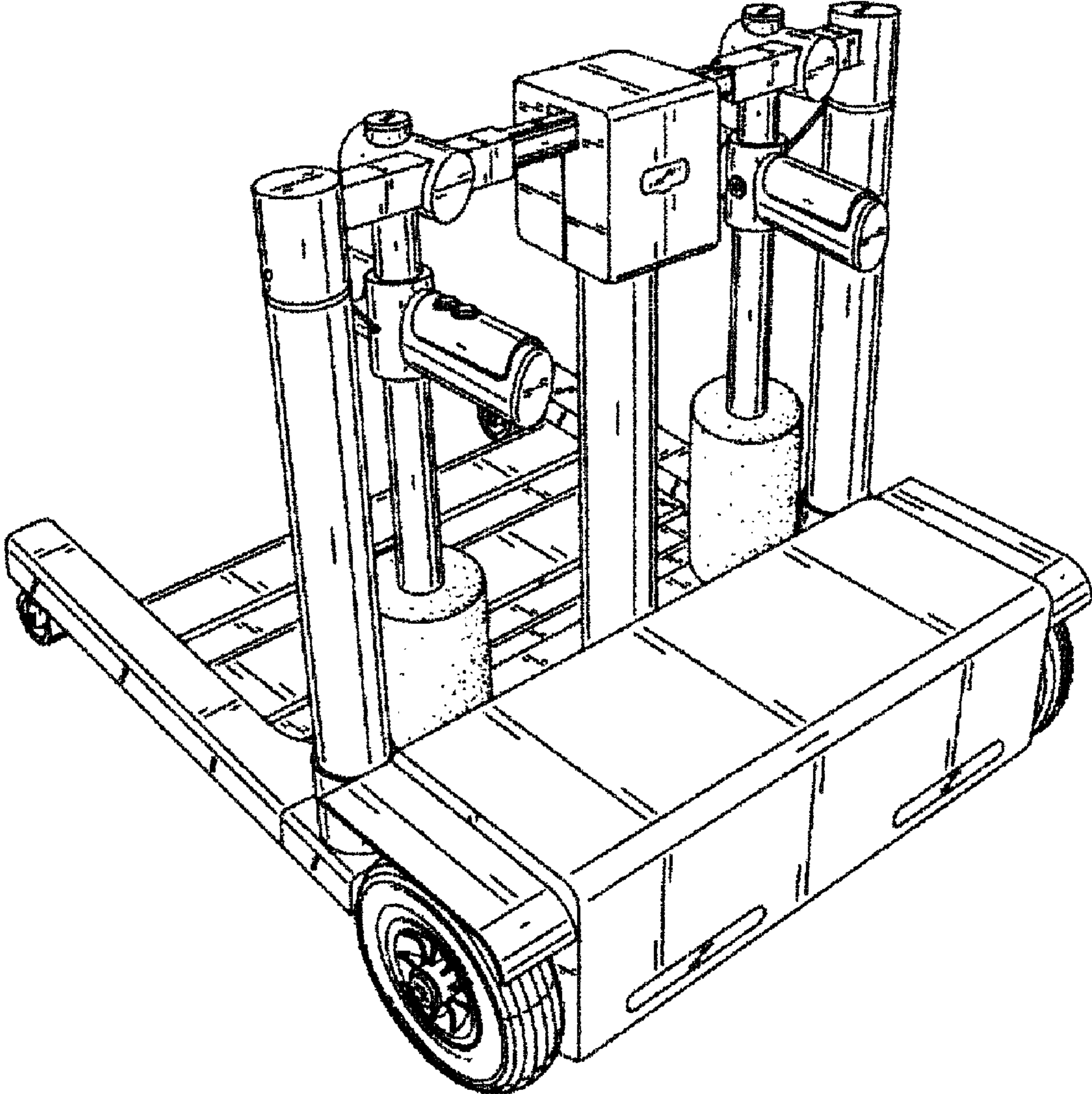


FIG. 8

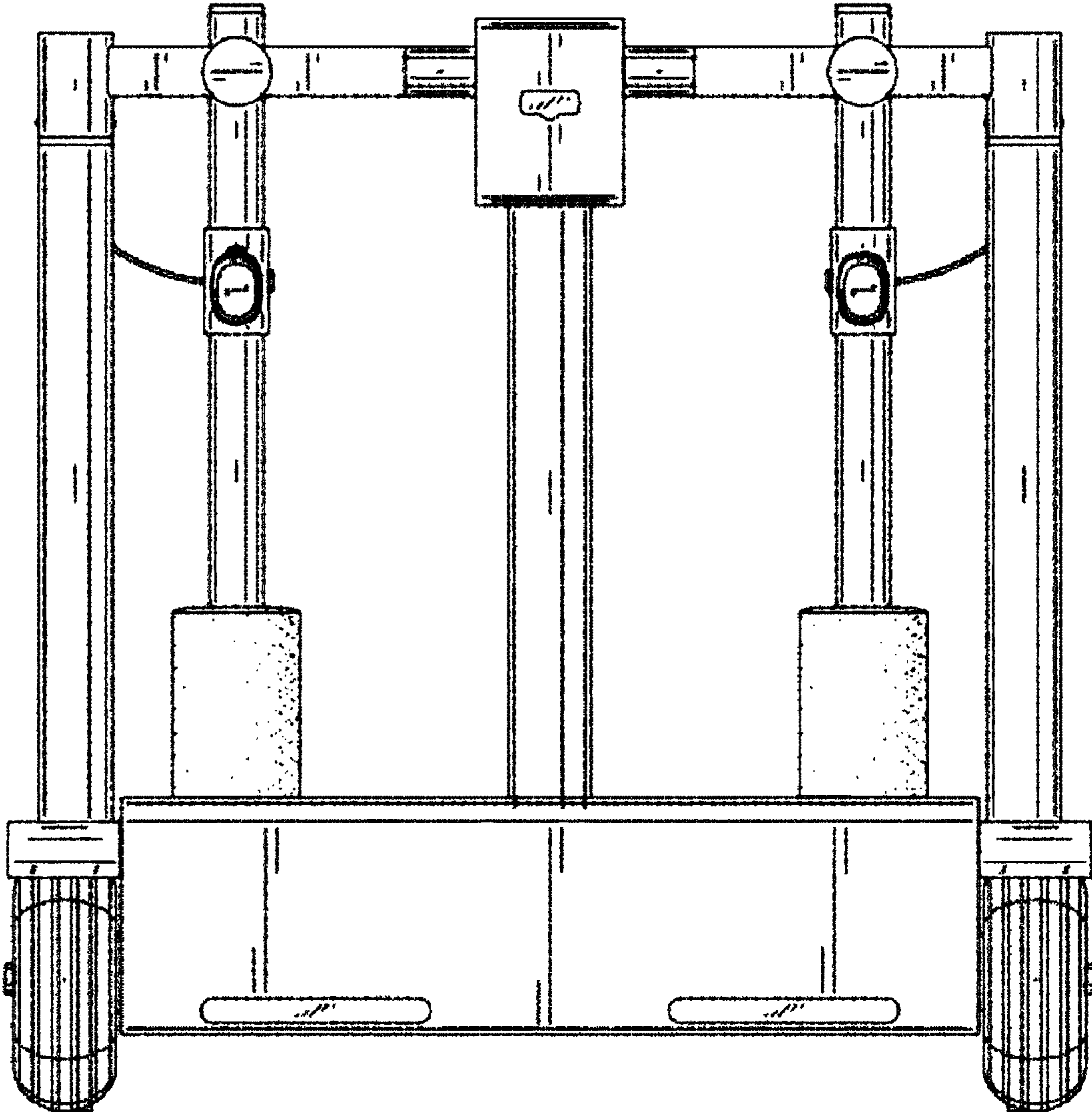


FIG. 9

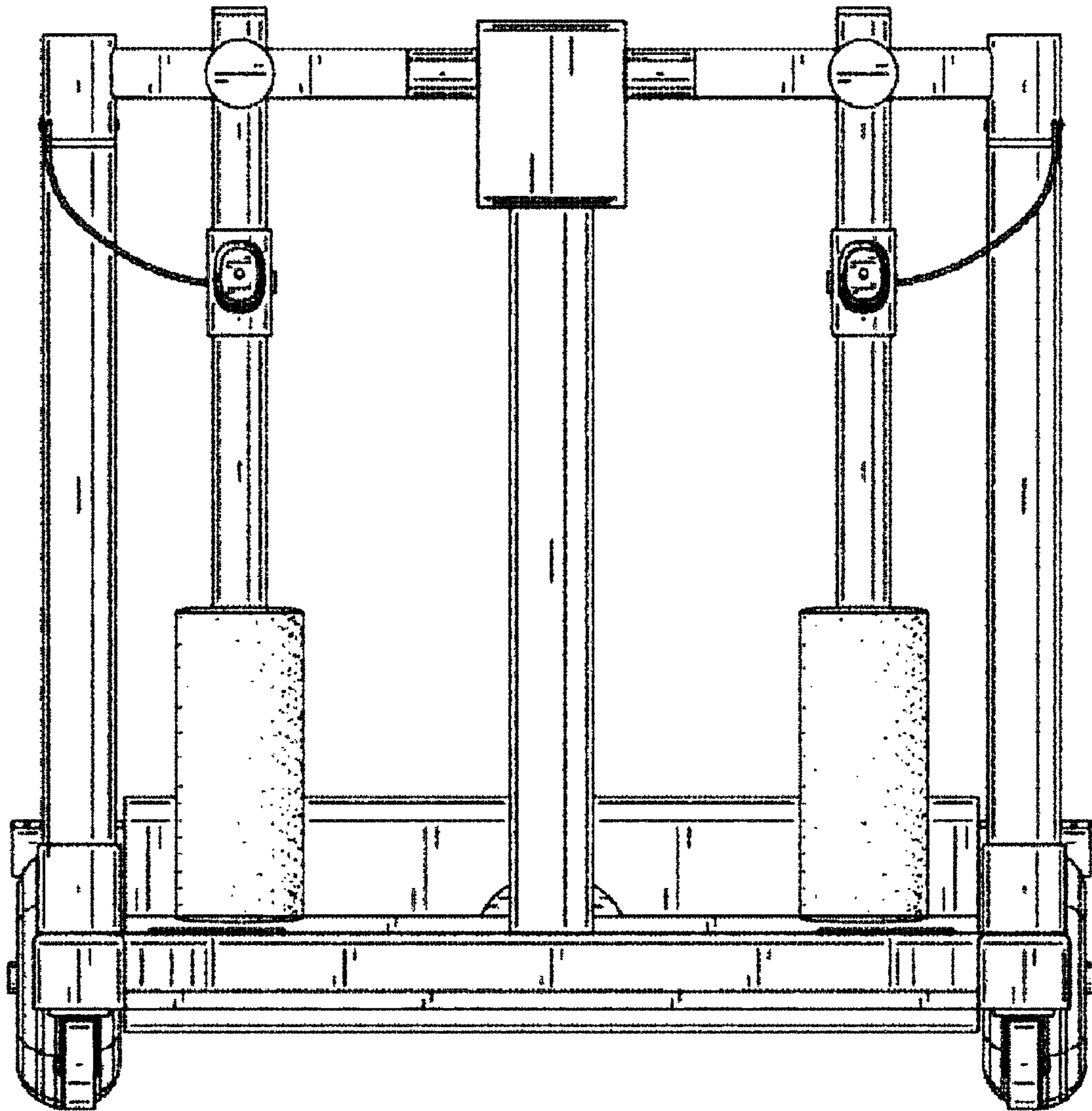


FIG. 10

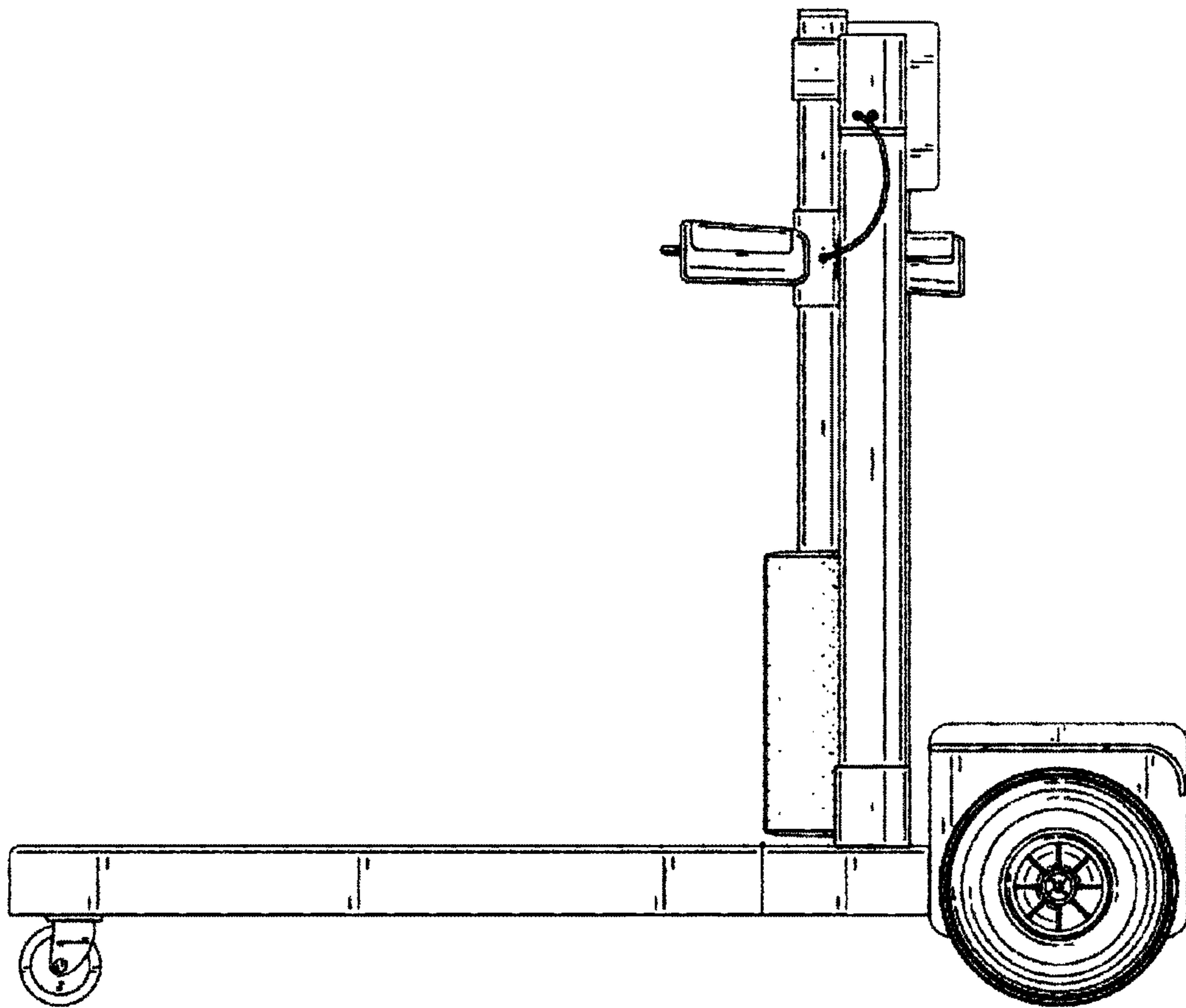


FIG. 11

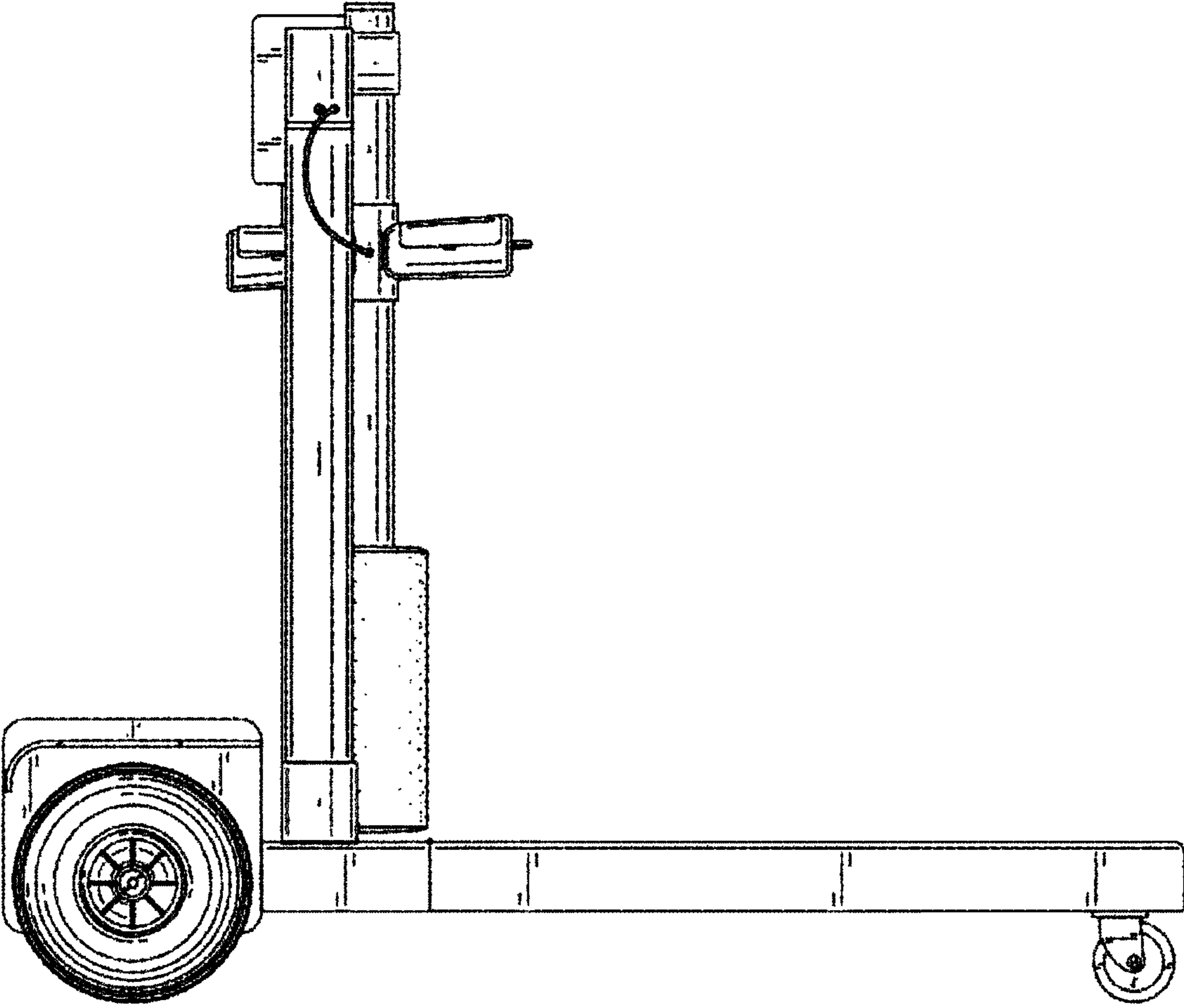


FIG. 12

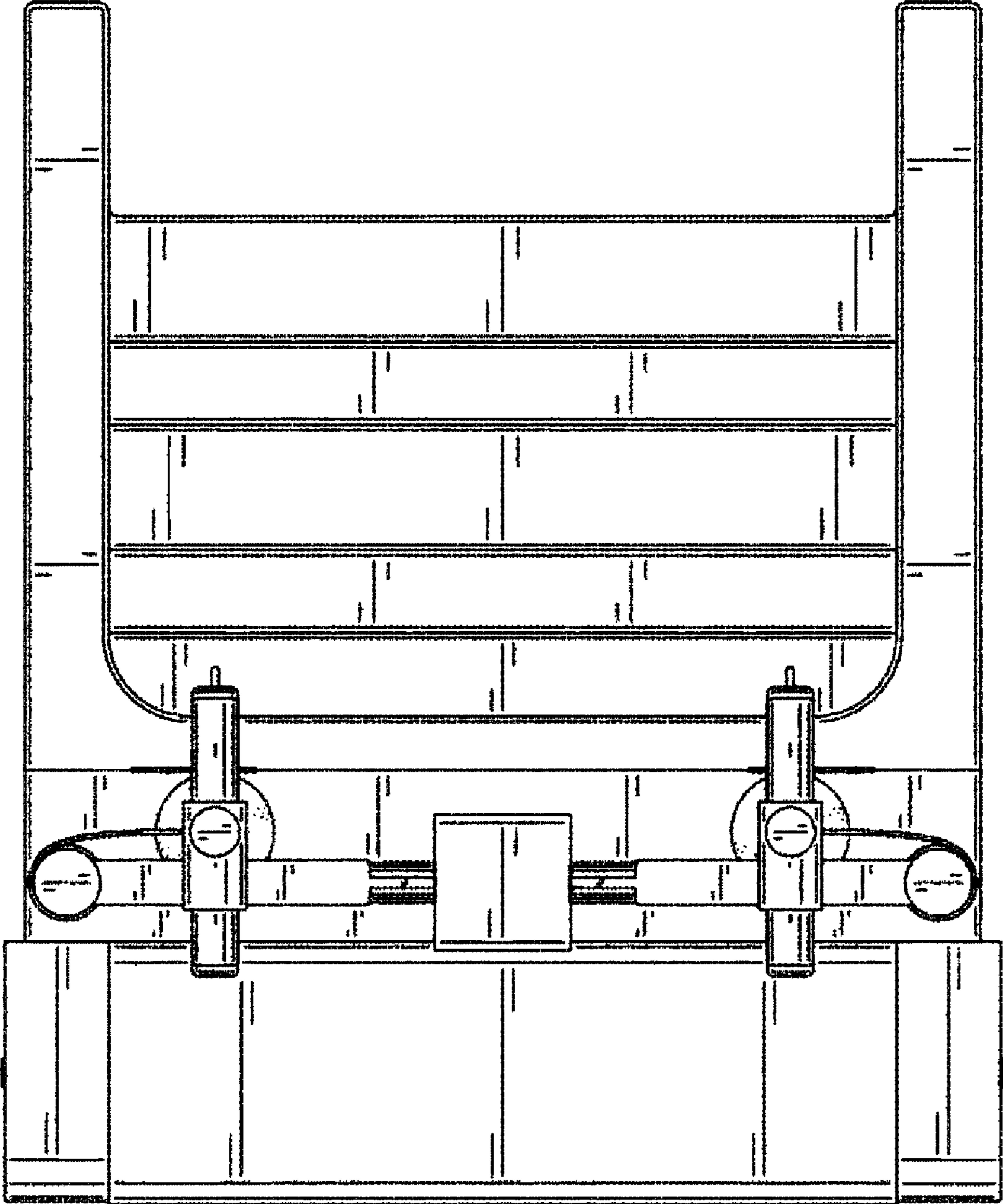


FIG. 13

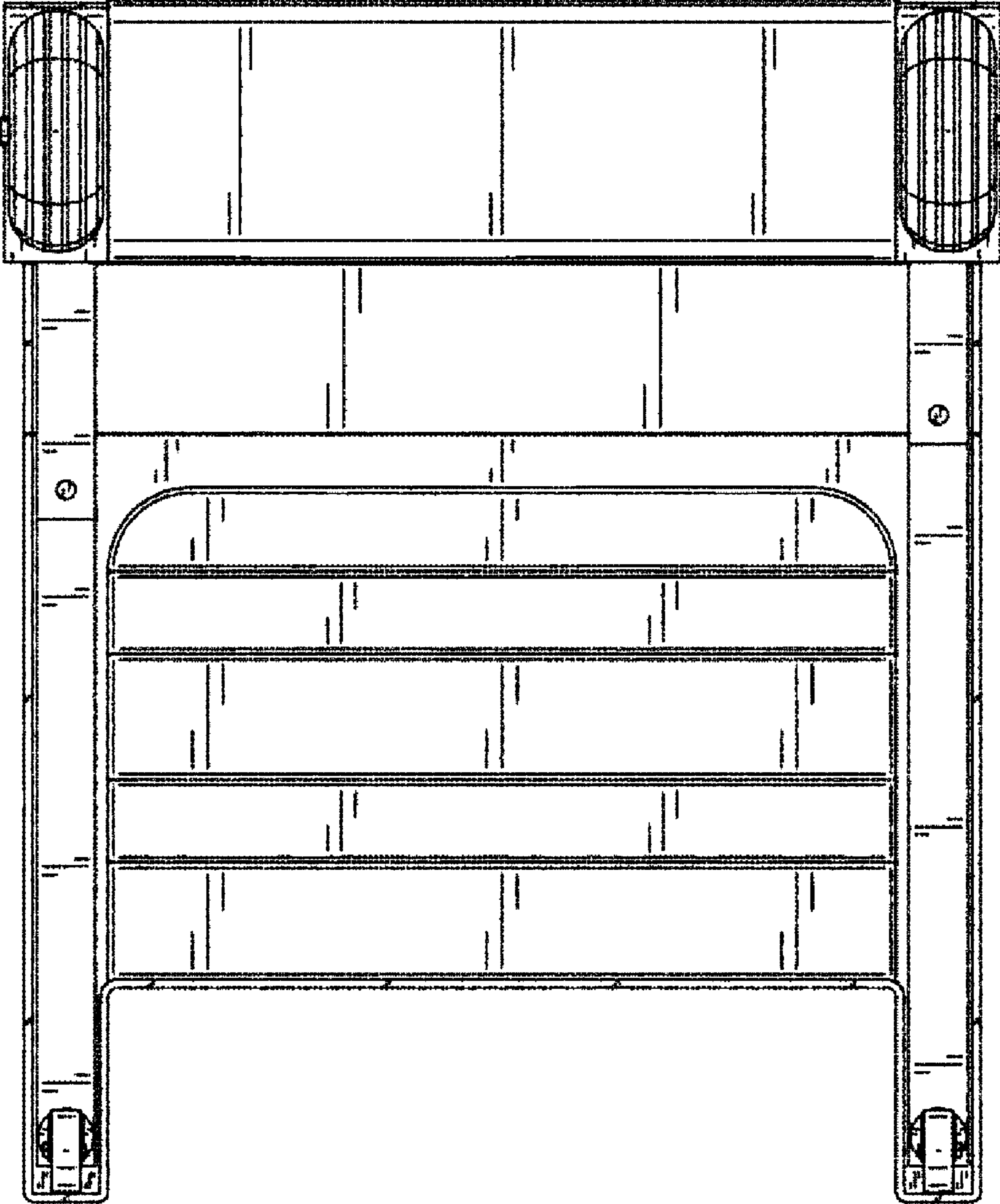


FIG. 14

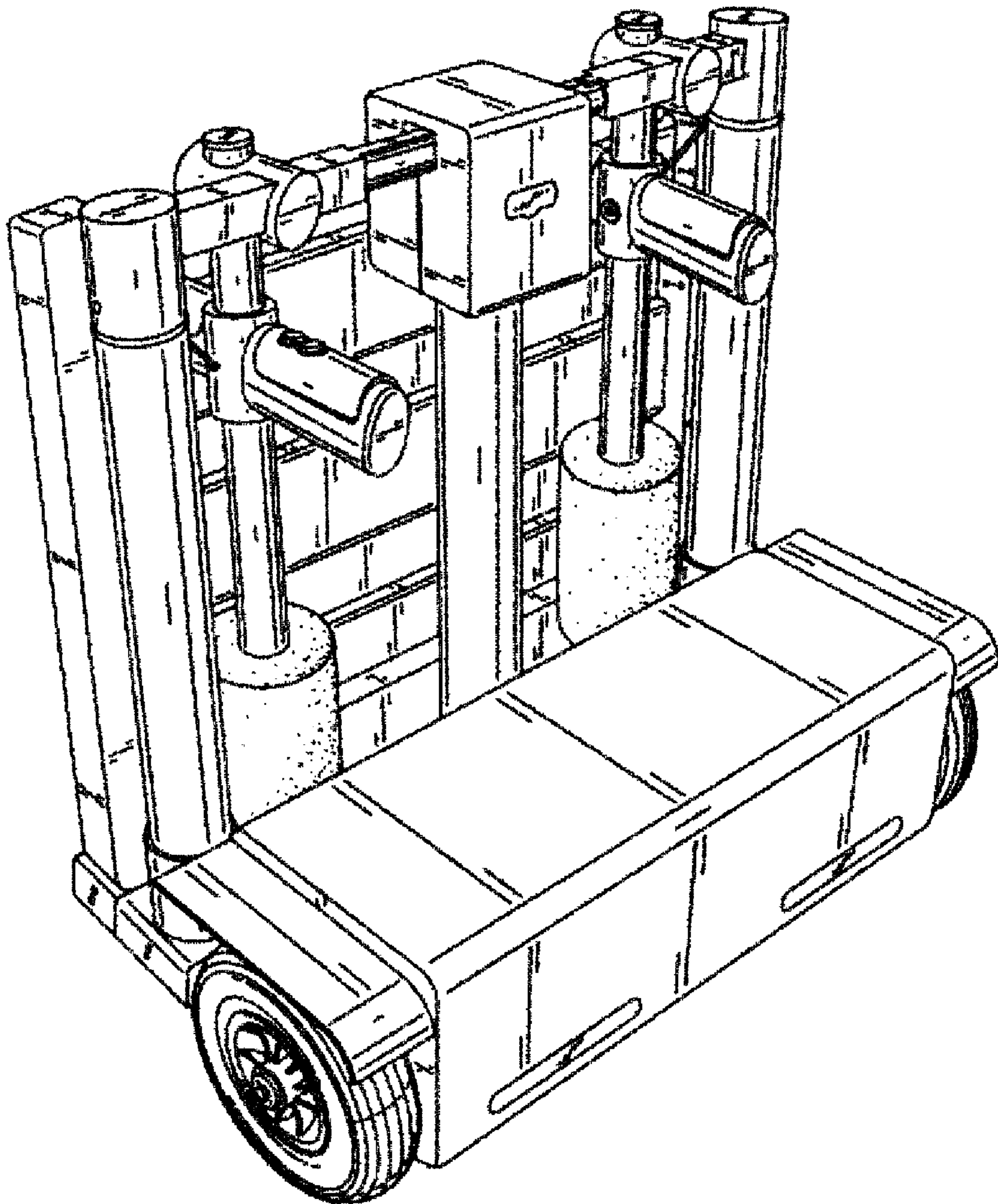


FIG. 15

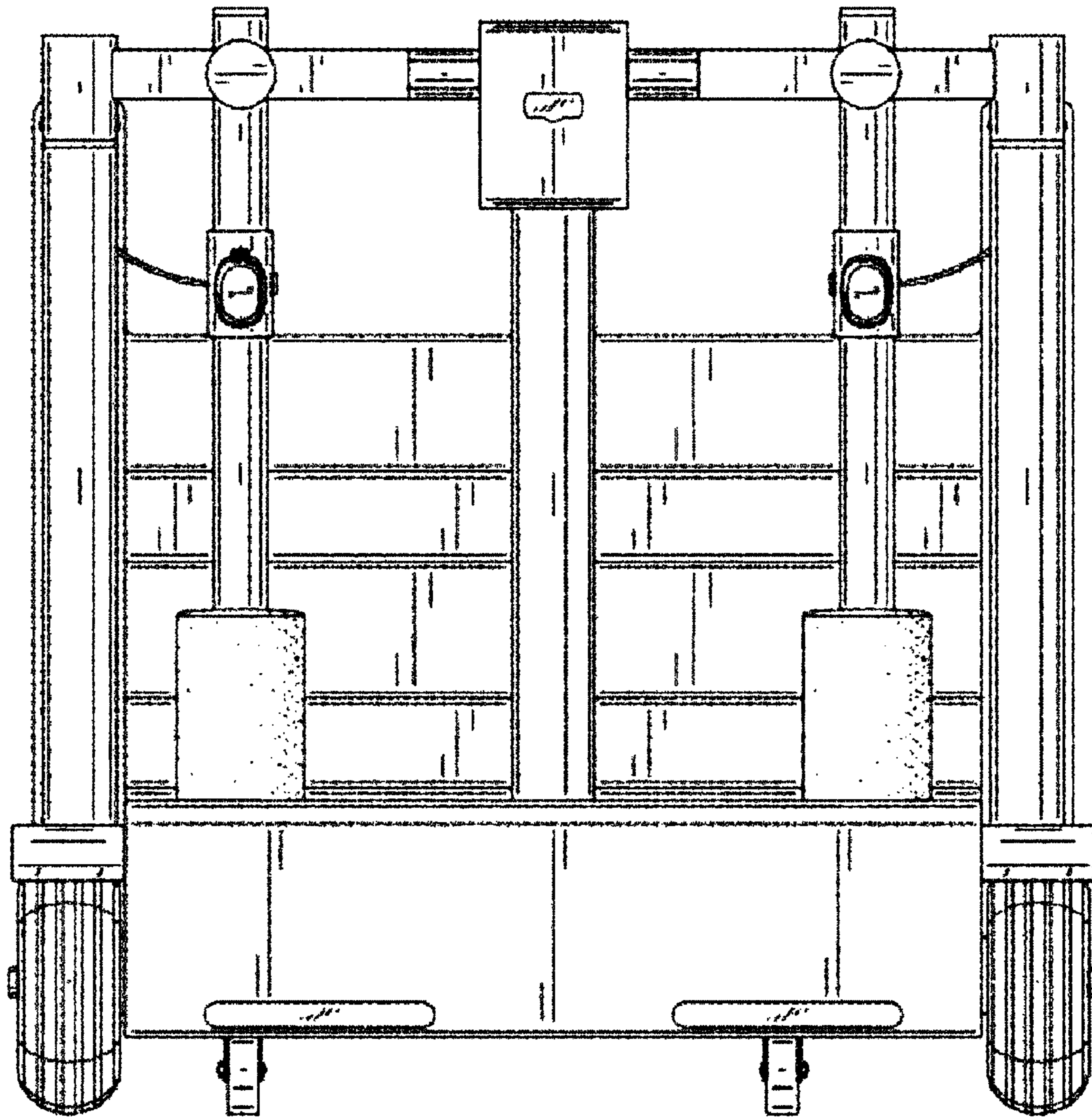


FIG. 16

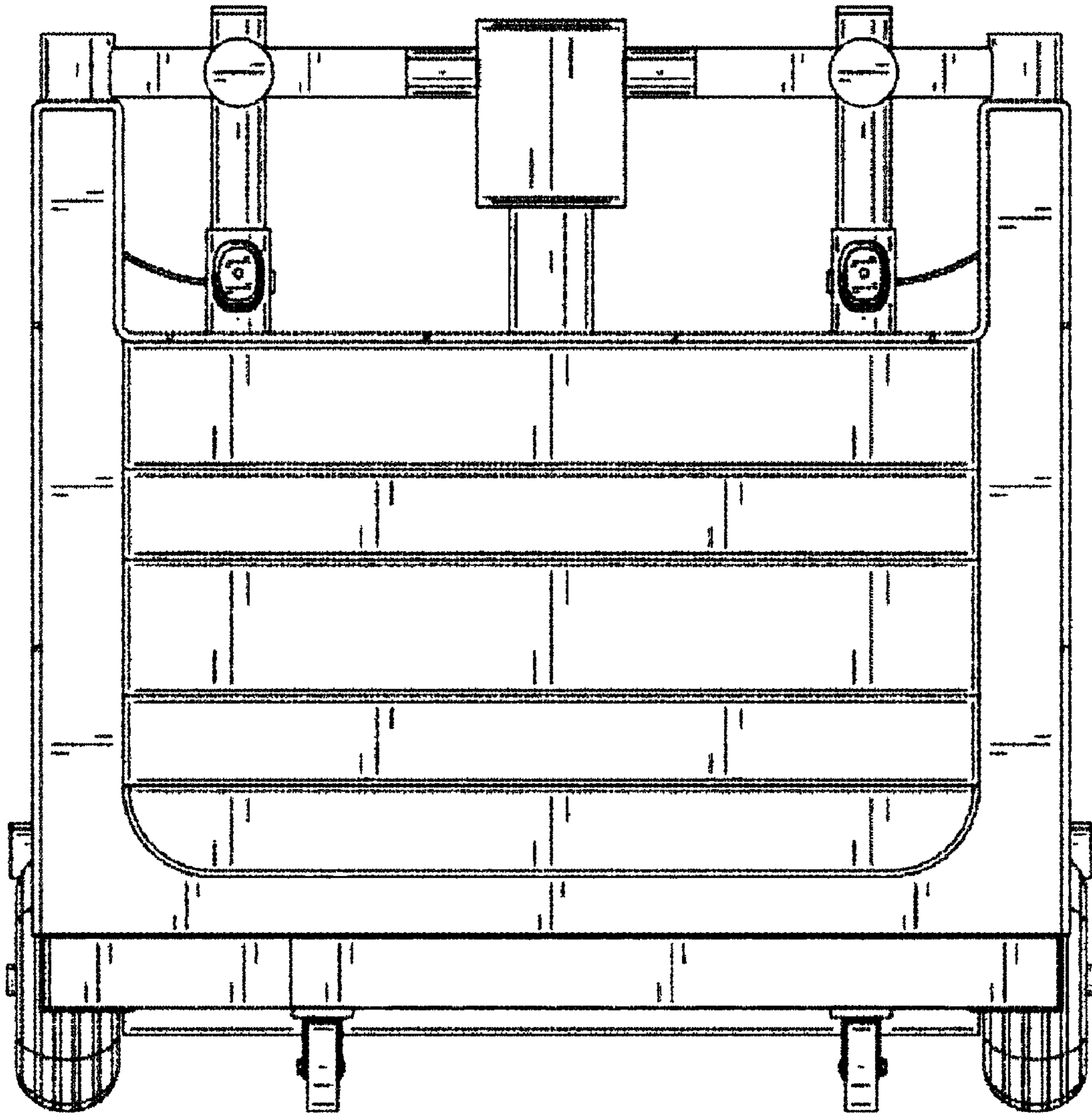


FIG. 17

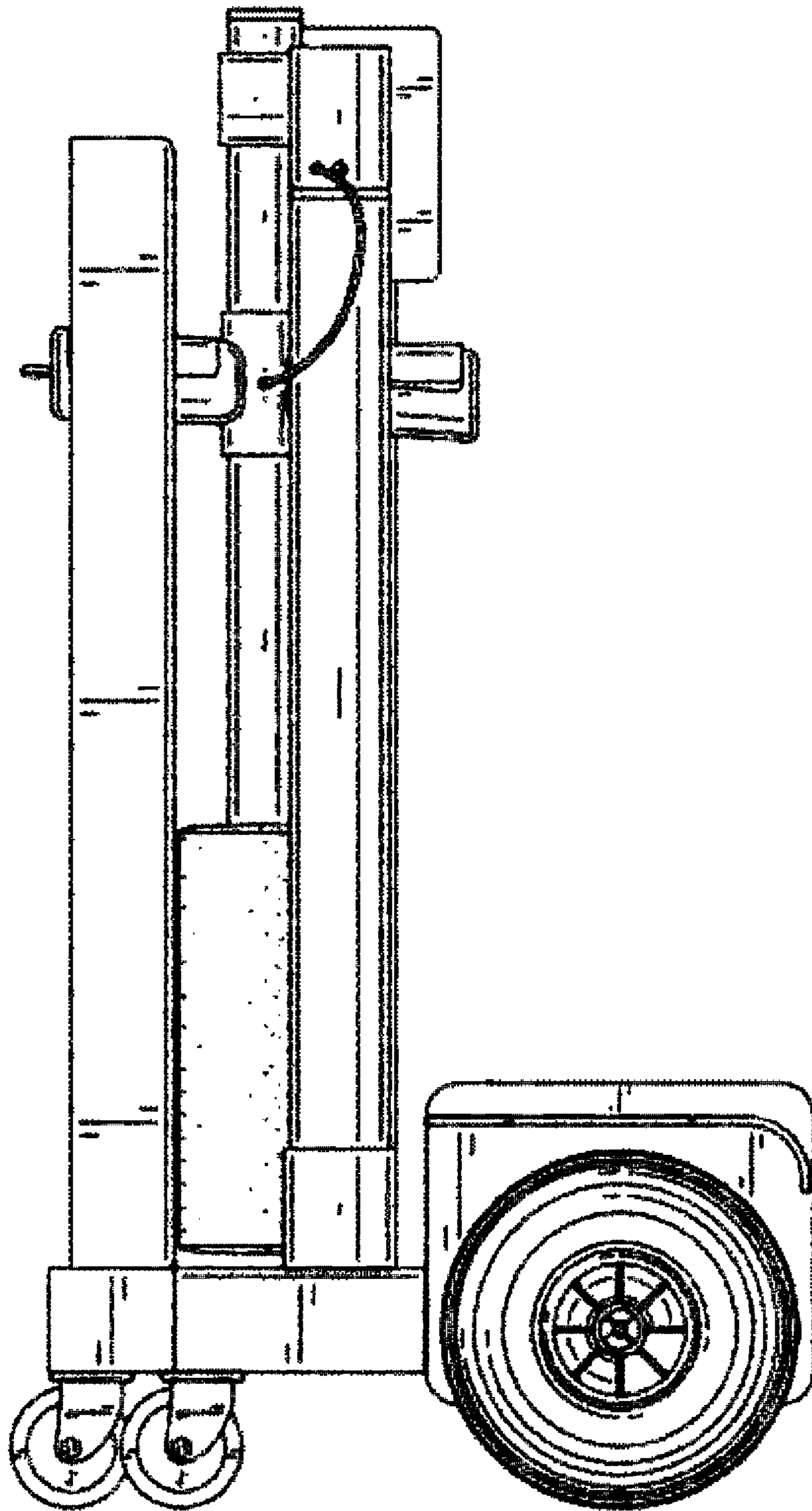


FIG. 18

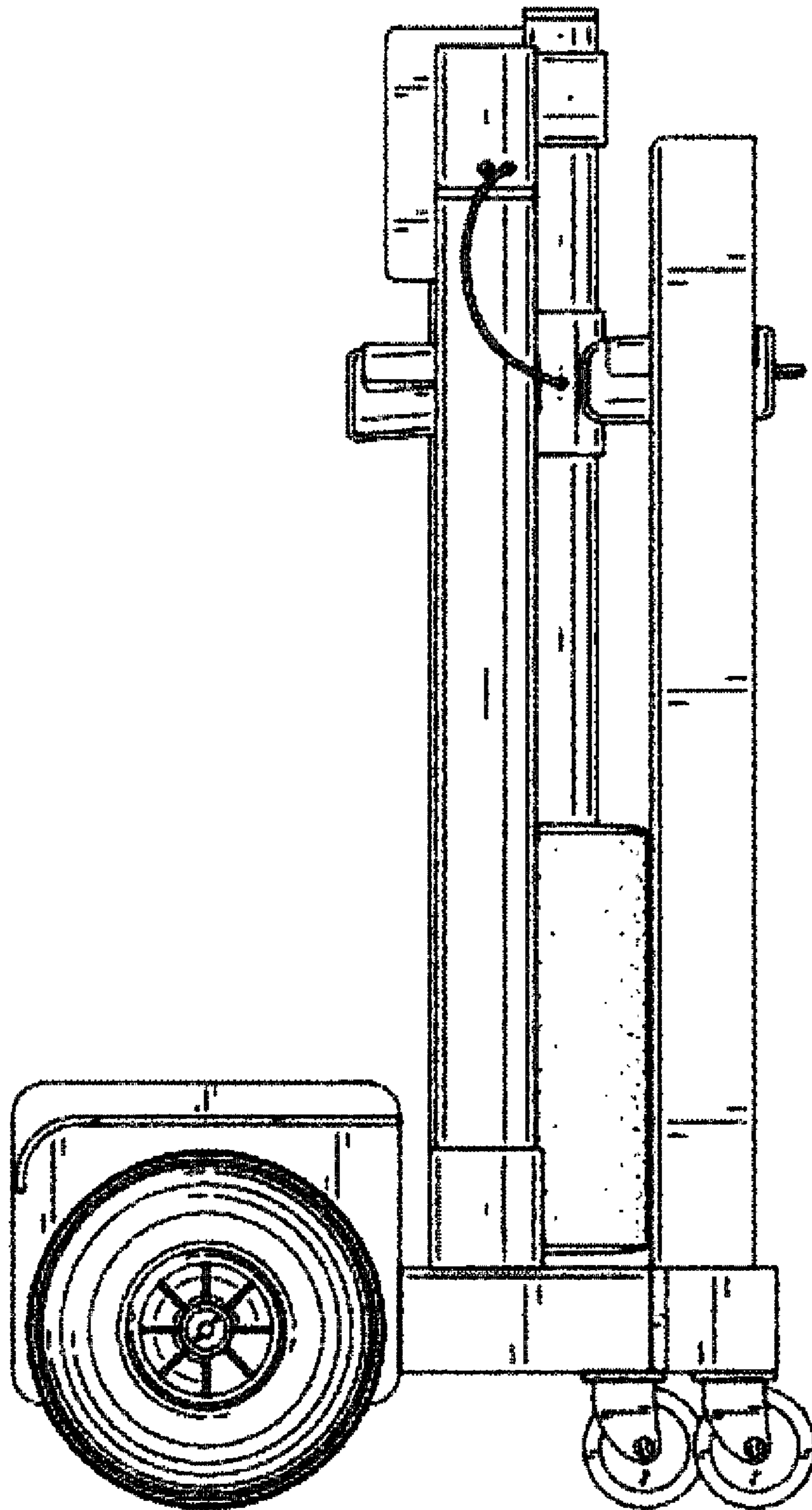


FIG. 19

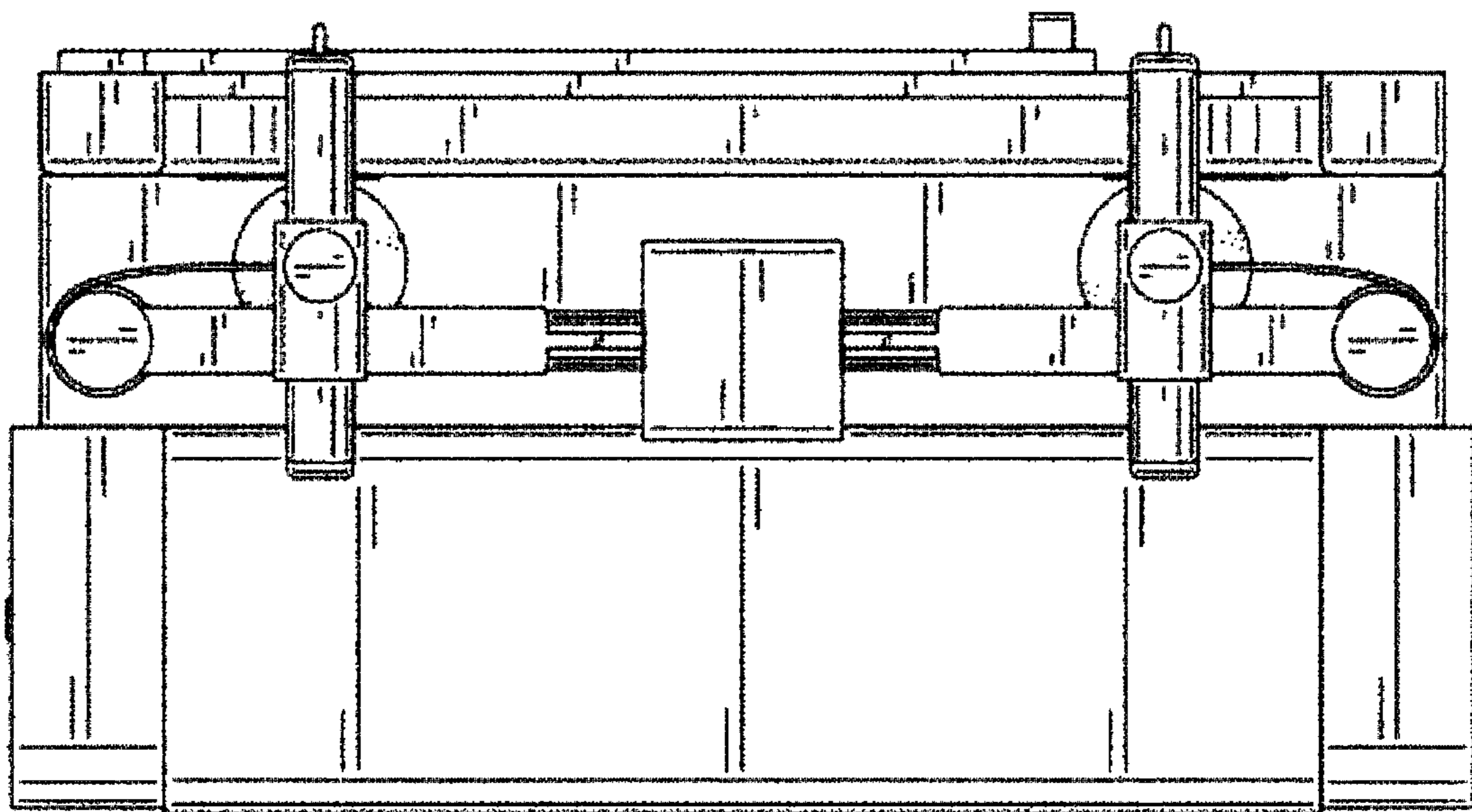


FIG. 20

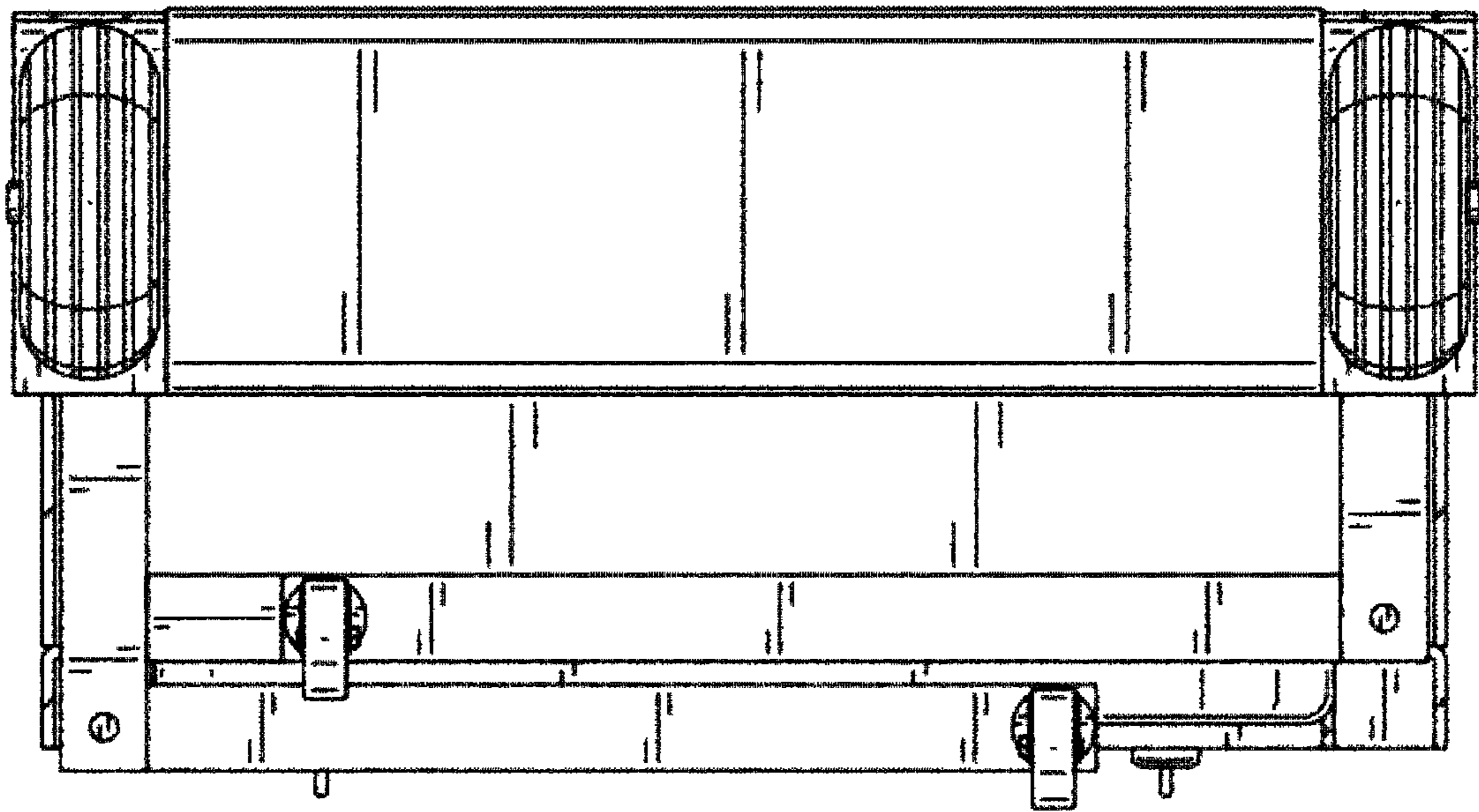


FIG. 21