



US00D673077S

(12) **United States Design Patent**
Fujita

(10) **Patent No.:** **US D673,077 S**

(45) **Date of Patent:** **** Dec. 25, 2012**

(54) **CHAIN FOR A SLIDE FASTENER**

(75) Inventor: **Yuko Fujita**, Tokyo (JP)

(73) Assignee: **YKK Corporation** (JP)

(**) Term: **14 Years**

(21) Appl. No.: **29/416,746**

(22) Filed: **Mar. 27, 2012**

(30) **Foreign Application Priority Data**

Oct. 7, 2011 (JP) 2011-023082

(51) **LOC (9) Cl.** **02-07**

(52) **U.S. Cl.** **D11/221**

(58) **Field of Classification Search** D11/200,
D11/201, 221; 24/381-383, 385-387, 414-417,
24/421-422, 427-431, 433, 403, 410; 2/265
See application file for complete search history.

(56) **References Cited**

U.S. PATENT DOCUMENTS

2,701,401 A * 2/1955 Dorman 24/433
D252,896 S * 9/1979 Jovin D11/221

D628,123 S * 11/2010 Kojima et al. D11/221
D632,218 S * 2/2011 Yamamoto et al. D11/221
D657,287 S * 4/2012 Cheng D11/221

FOREIGN PATENT DOCUMENTS

JP 1408854 3/2011
JP 1408991 3/2011

* cited by examiner

Primary Examiner — Ralf Seifert

(74) *Attorney, Agent, or Firm* — Kilpatrick Townsend & Stockton LLP

(57) **CLAIM**

The ornamental design for a chain for a slide fastener, as shown and described.

DESCRIPTION

FIG. 1 is a perspective view of the top, front and left side of a chain for a slide fastener showing my (our) new design; FIG. 2 is a front view thereof, the rear view being mirror image thereof; FIG. 3 is a top plan view thereof; FIG. 4 is a bottom view thereof; and, FIG. 5 is a right side view thereof, the left side view being mirror image thereof.

1 Claim, 4 Drawing Sheets

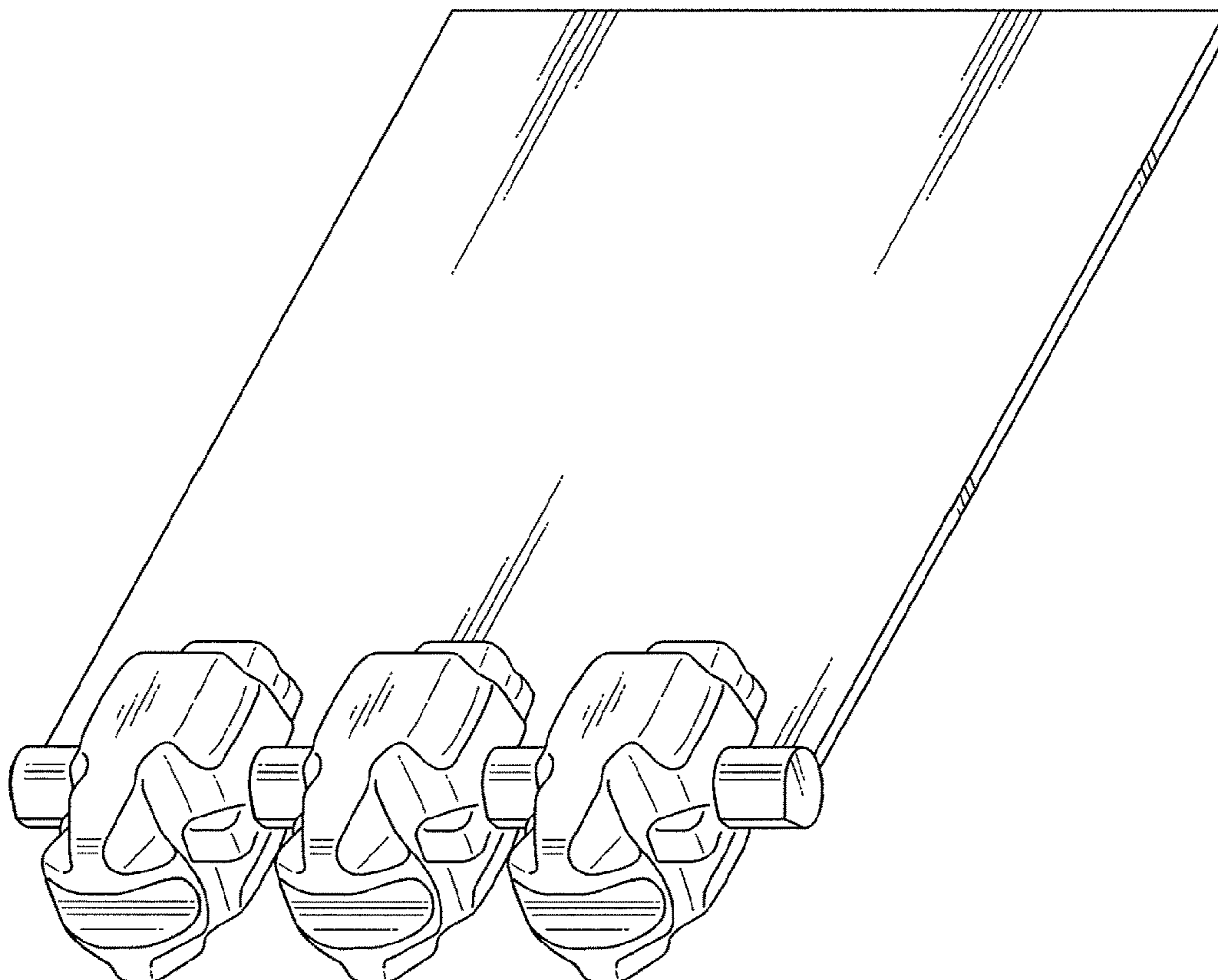


Fig. 1

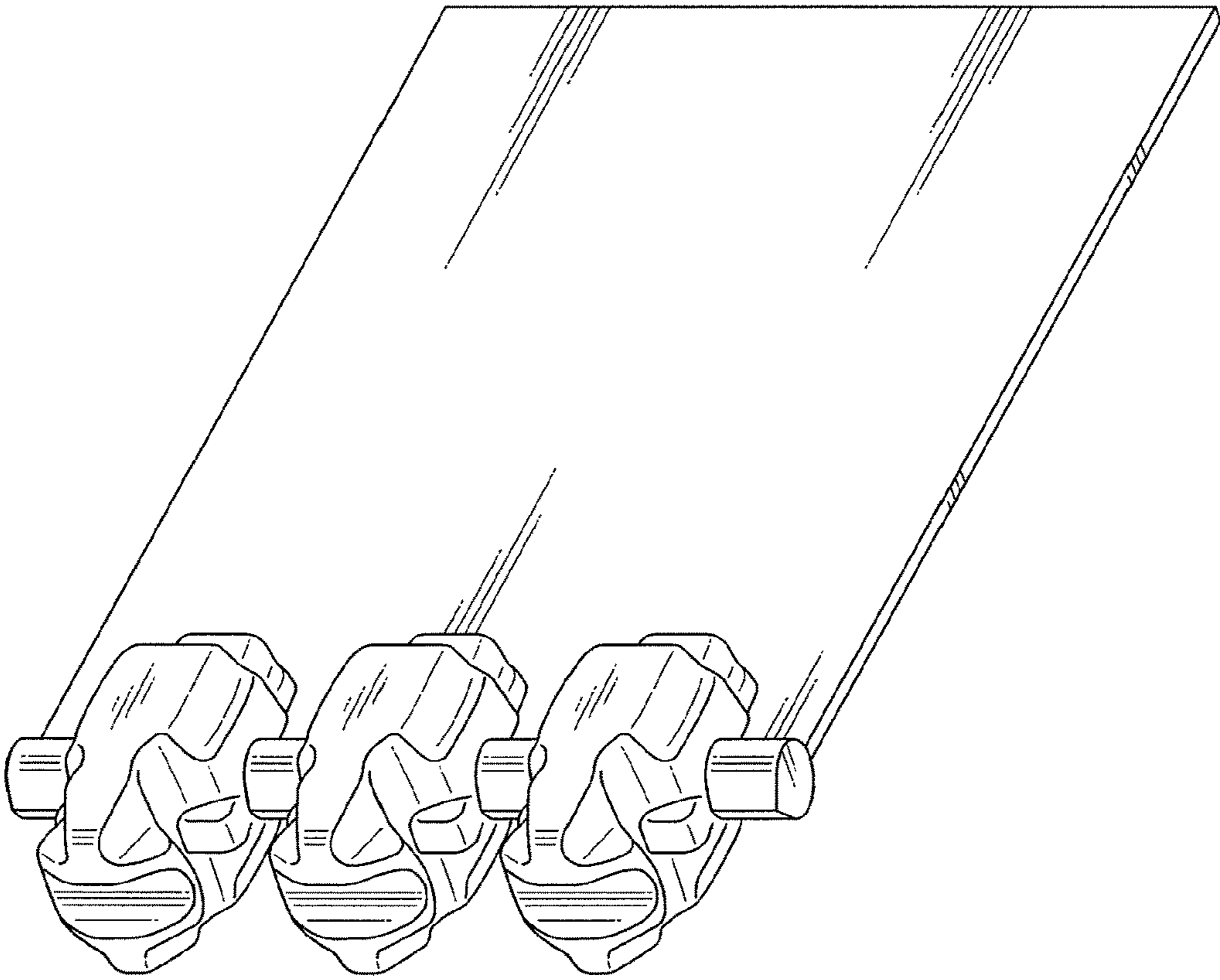


Fig. 2

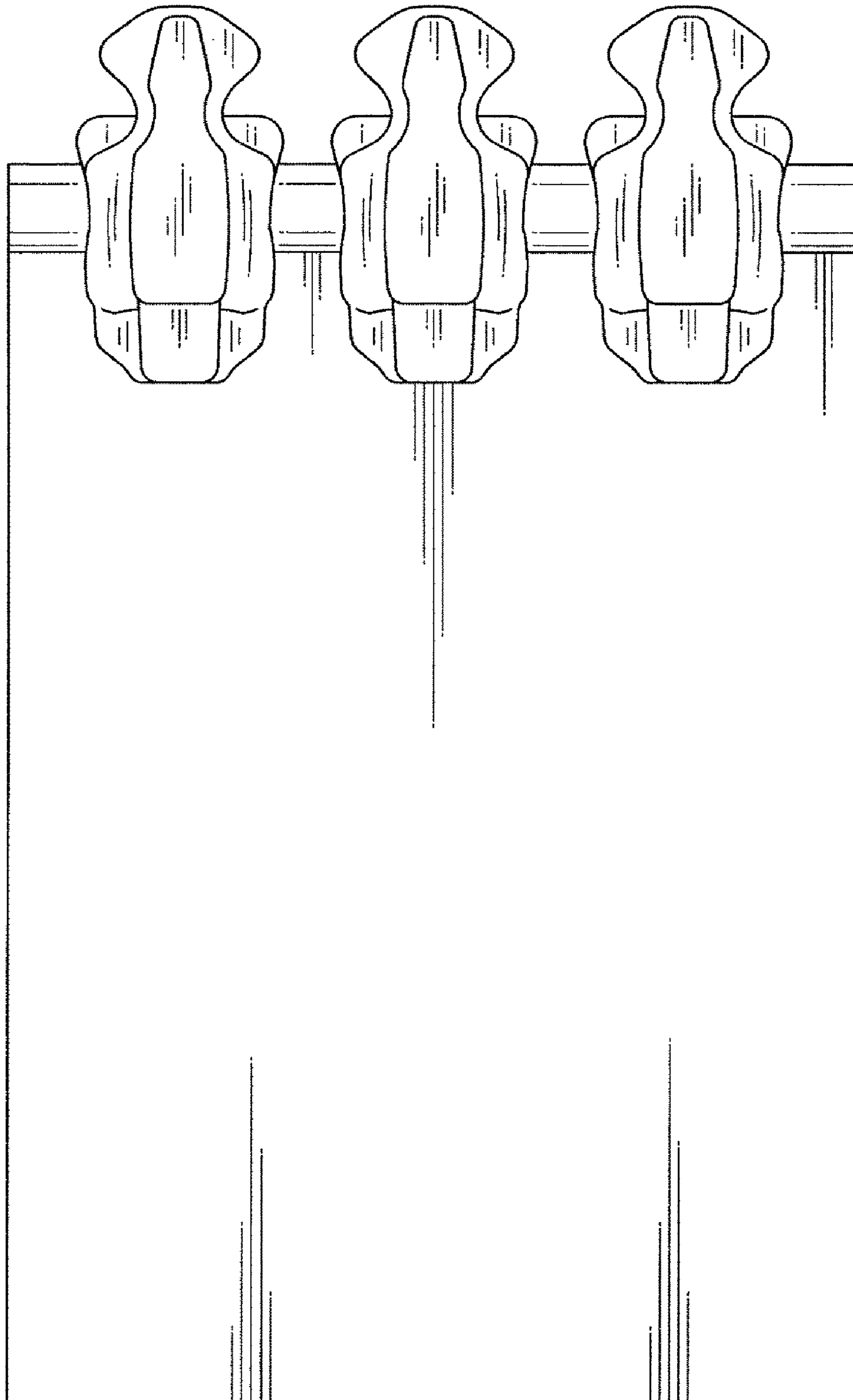


Fig. 3

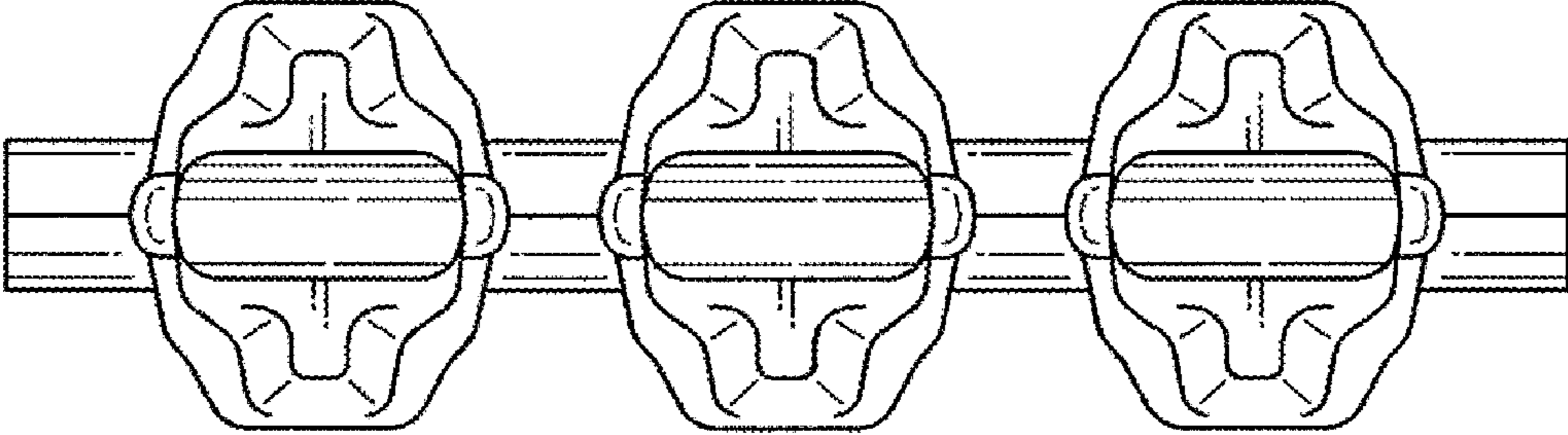


Fig. 4

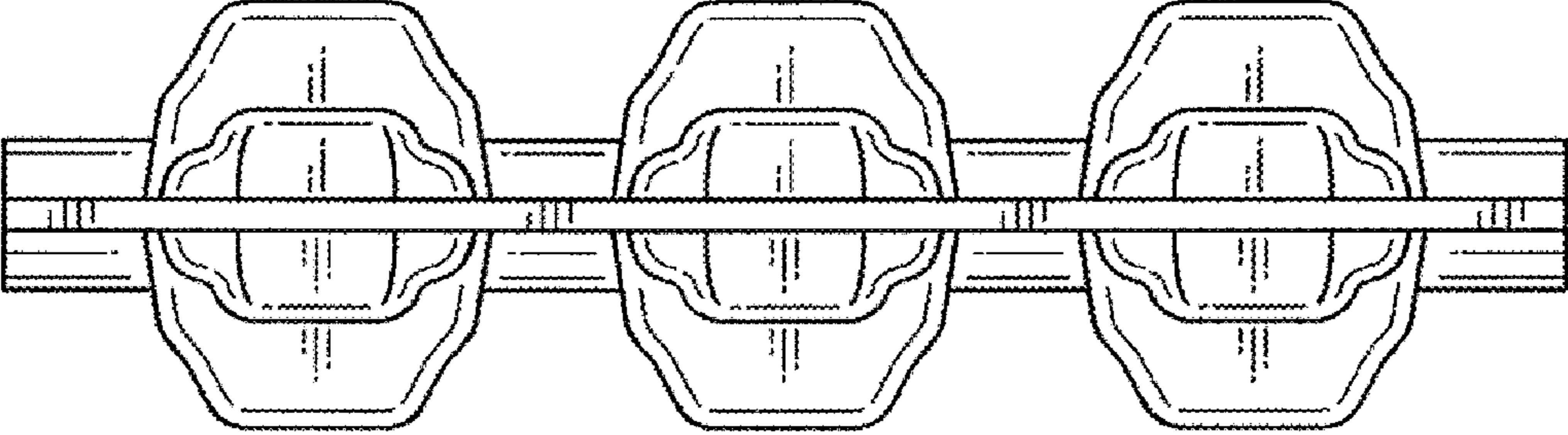


Fig. 5

