



US00D673076S

(12) **United States Design Patent**
Hsiang et al.

(10) **Patent No.:** **US D673,076 S**
(45) **Date of Patent:** **** Dec. 25, 2012**

(54) **SLIDER FOR SLIDE FASTENER**

(75) Inventors: **Hsu Hsien Hsiang**, Taipei (TW);
Morimasa Yoneoka, Tapei (TW); **Yuichi Iwase**, Tapei (TW)

(73) Assignee: **YKK Corporation** (JP)

(**) Term: **14 Years**

(21) Appl. No.: **29/412,899**

(22) Filed: **Feb. 9, 2012**

(30) **Foreign Application Priority Data**

Sep. 22, 2011 (JP) 2011-021618
(51) **LOC (9) Cl.** **02-07**
(52) **U.S. Cl.** **D11/221**
(58) **Field of Classification Search** D11/200,
D11/201, 221; 24/381-383, 385-387, 414-417,
24/421-422, 427-431, 433; 2/265
See application file for complete search history.

(56) **References Cited**

U.S. PATENT DOCUMENTS

D497,570 S * 10/2004 Iwase D11/221
D511,316 S * 11/2005 Hamada et al. D11/221
D511,997 S * 11/2005 Hamada D11/221

D608,247 S * 1/2010 Keyaki et al. D11/221
D612,292 S * 3/2010 Miyazaki et al. D11/221
D643,777 S * 8/2011 Iwase D11/221
D652,346 S * 1/2012 Hamada et al. D11/221
D653,586 S * 2/2012 Hamada et al. D11/221

* cited by examiner

Primary Examiner — Ralf Seifert

(74) *Attorney, Agent, or Firm* — Kilpatrick Townsend & Stockton LLP

(57) **CLAIM**

The ornamental design for a slider for slide fastener, as shown and described.

DESCRIPTION

FIG. 1 is a perspective view of the top, front and right side of a slider for a slide fastener showing my (our) new design; FIG. 2 is a front view thereof; FIG. 3 is a rear view thereof; FIG. 4 is a right side view thereof; FIG. 5 is a left view thereof; FIG. 6 is a top plan view thereof; FIG. 7 is a bottom view thereof; and, FIG. 8 is a reference view of usage. The portions of the article in broken lines are shown for illustrative purposes only and form no part of the claimed design.

1 Claim, 8 Drawing Sheets

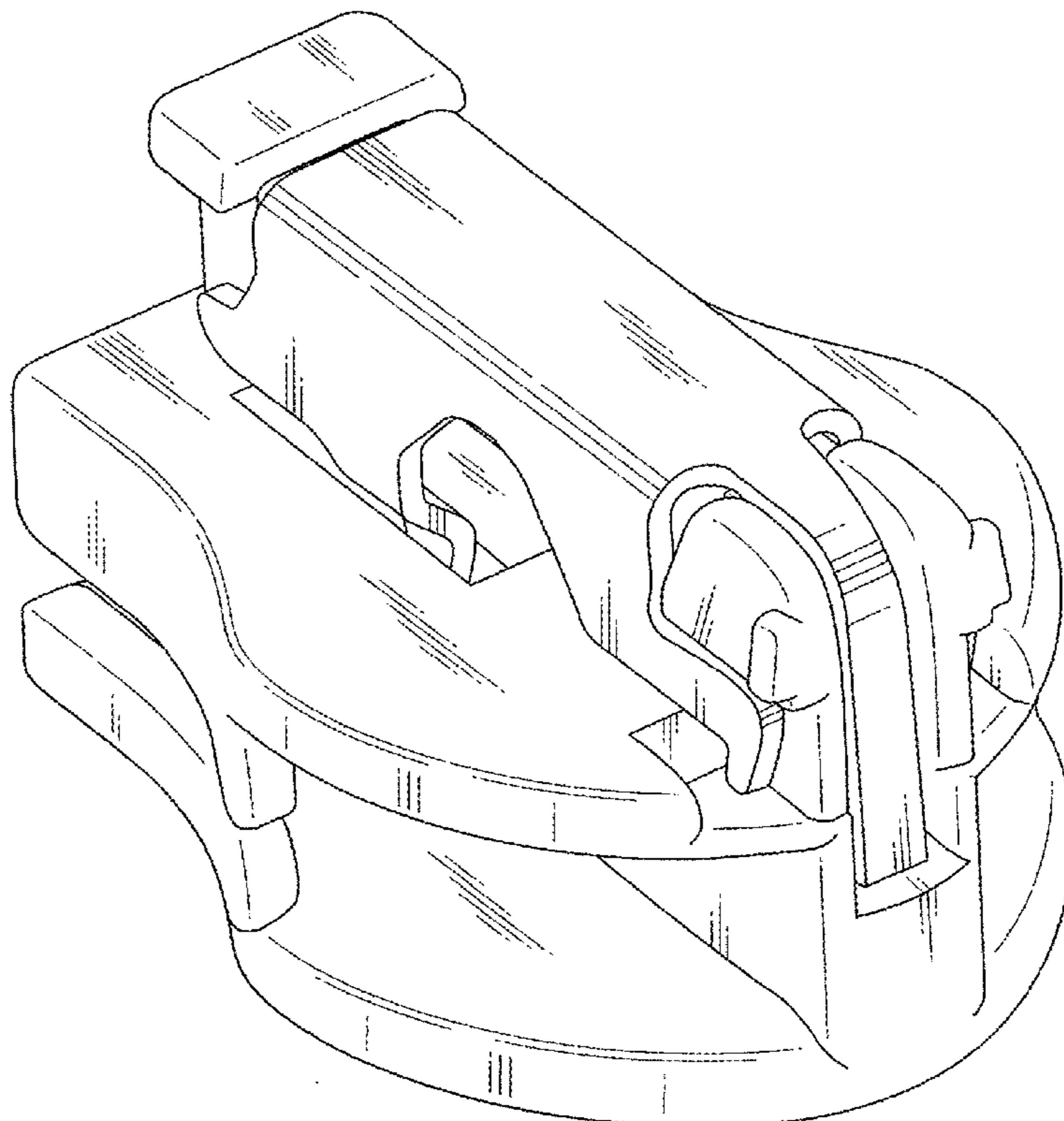


Fig. 1

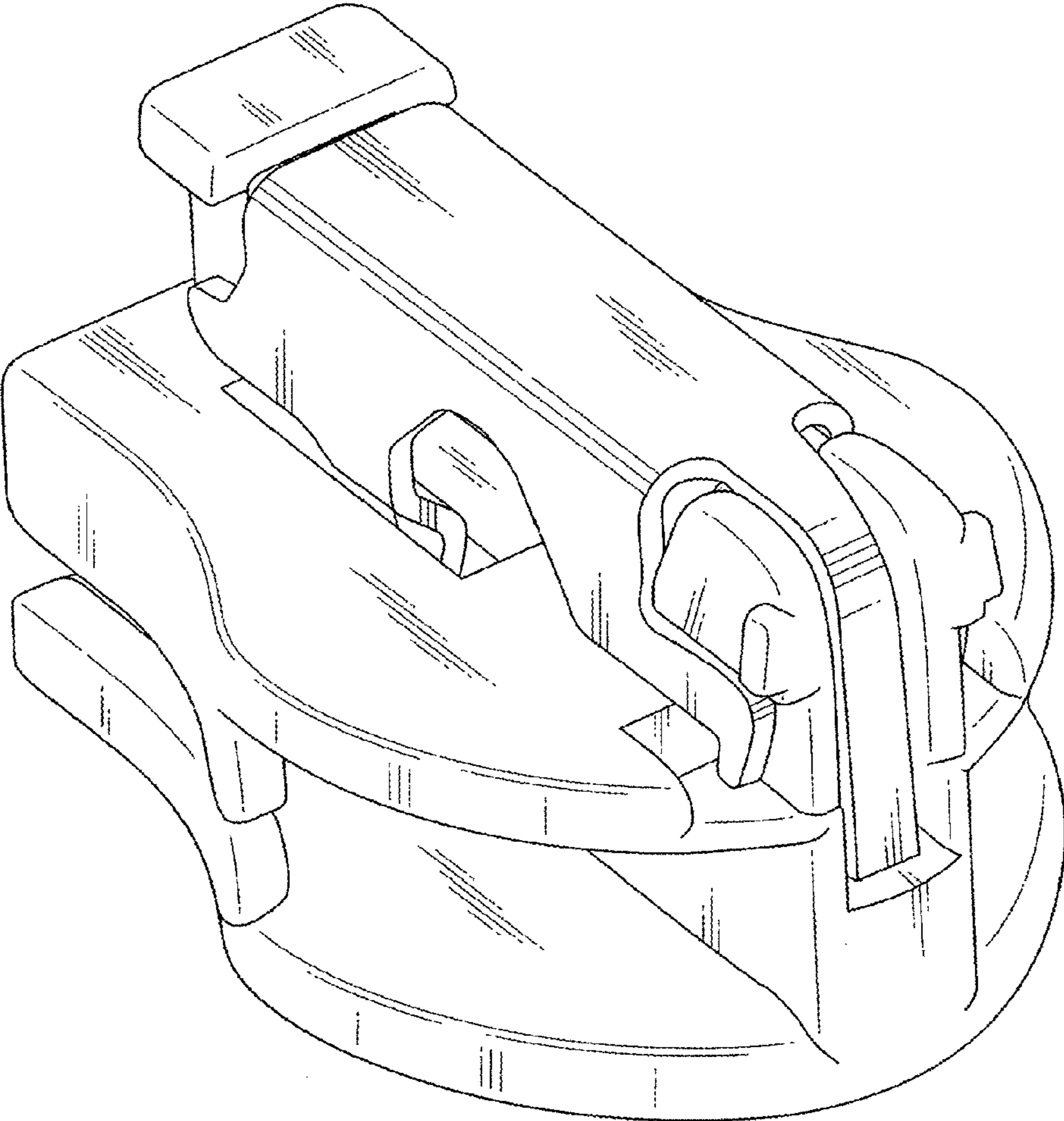


Fig. 2

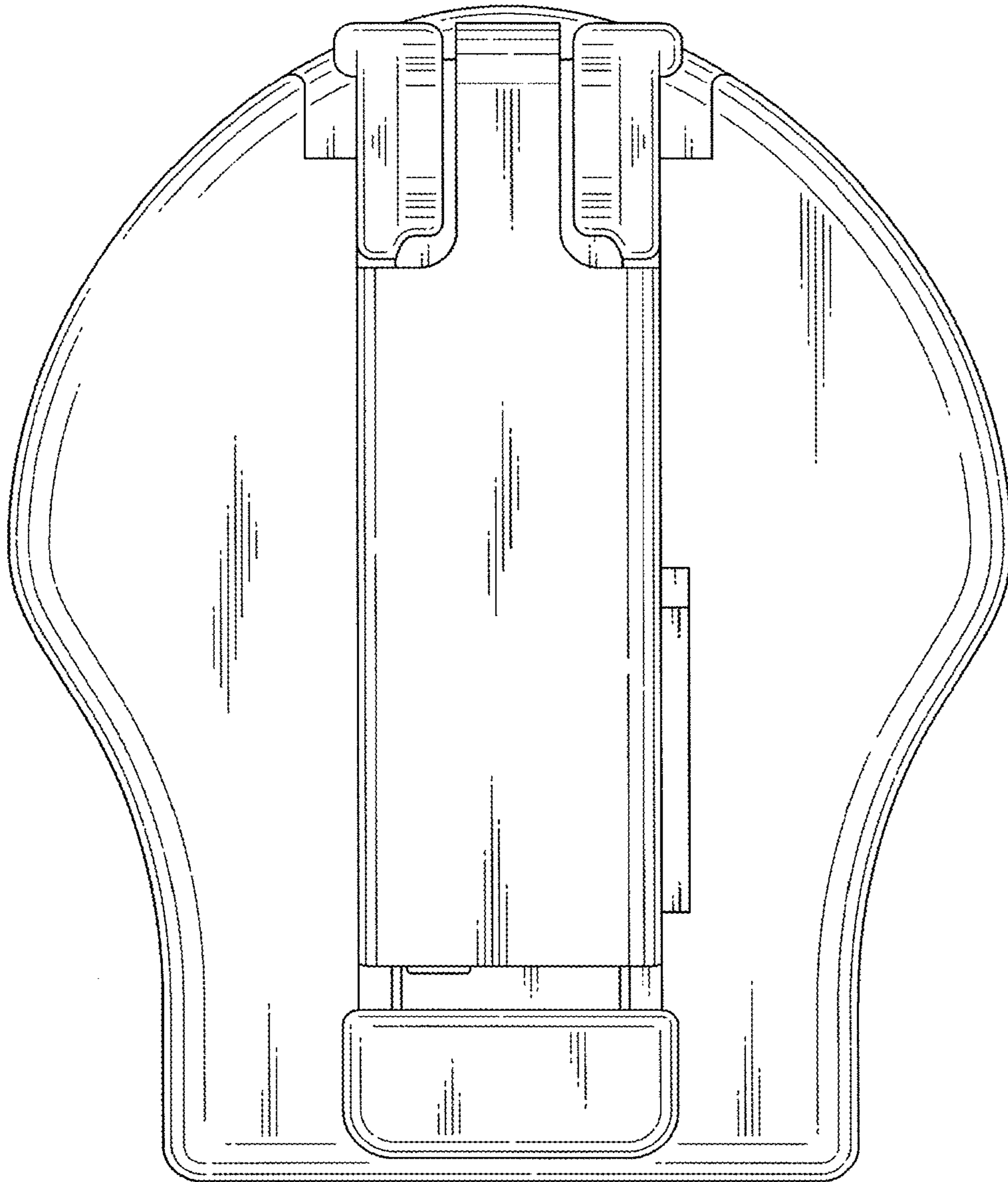


Fig. 3

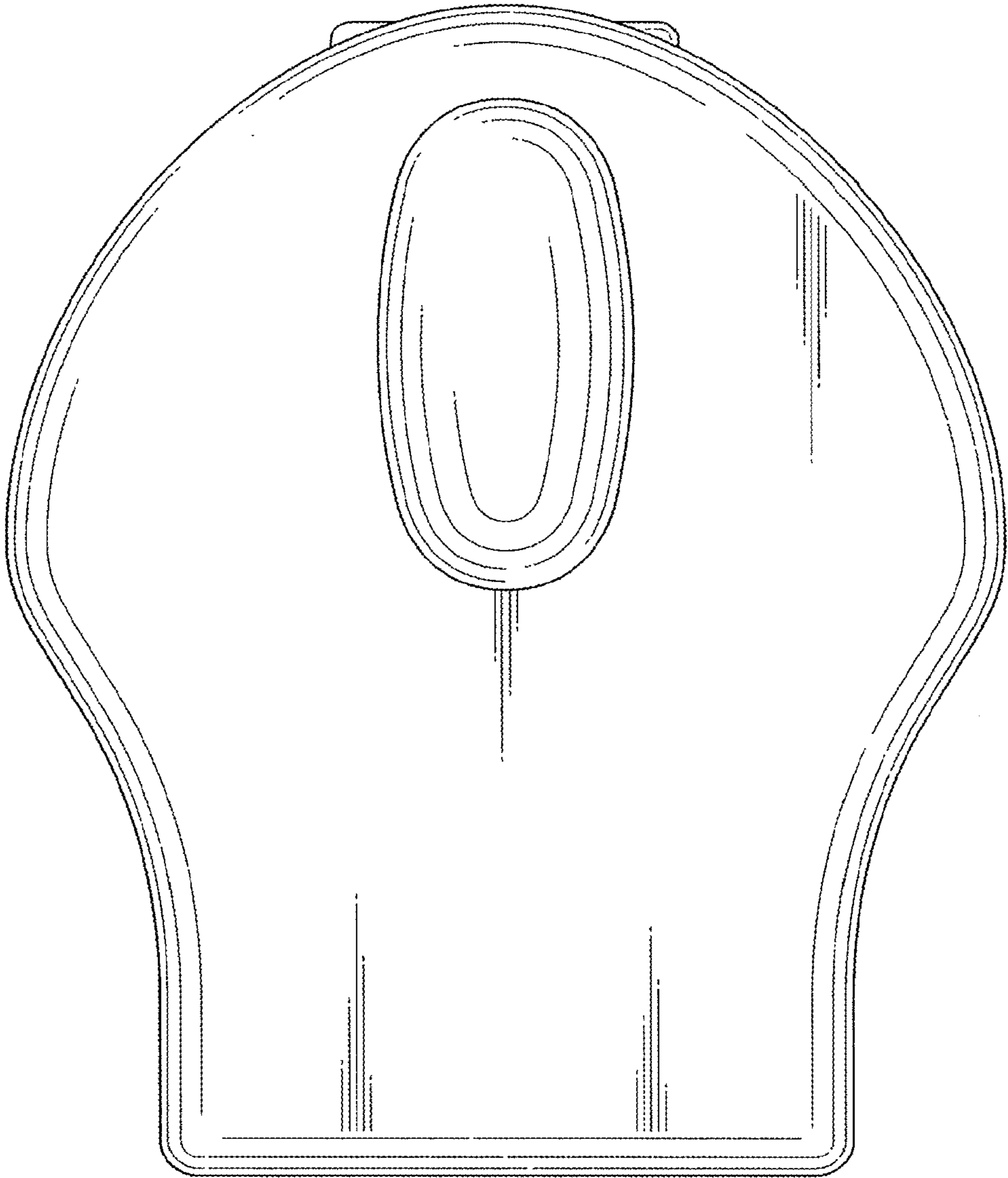


Fig. 4.

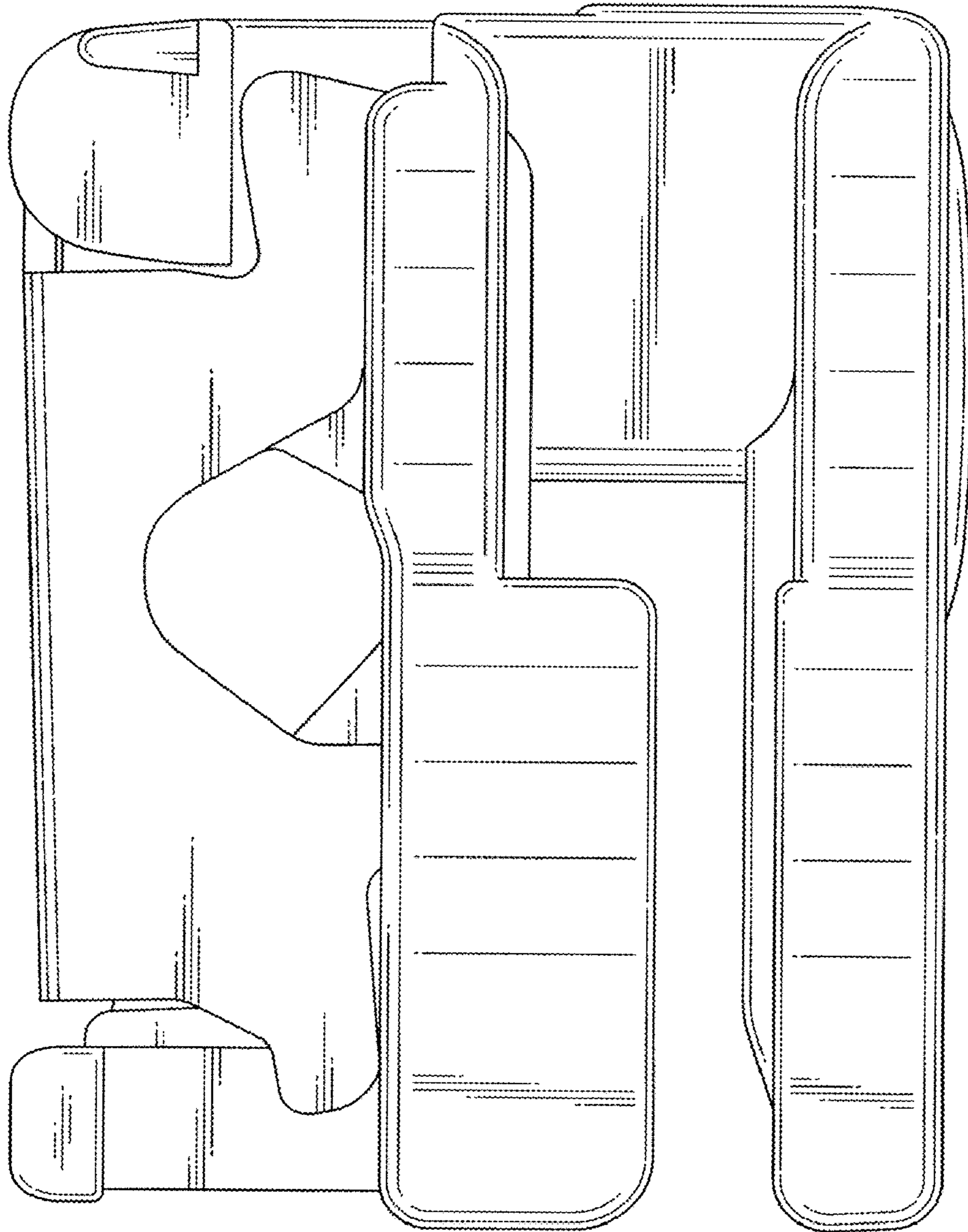


Fig. 5

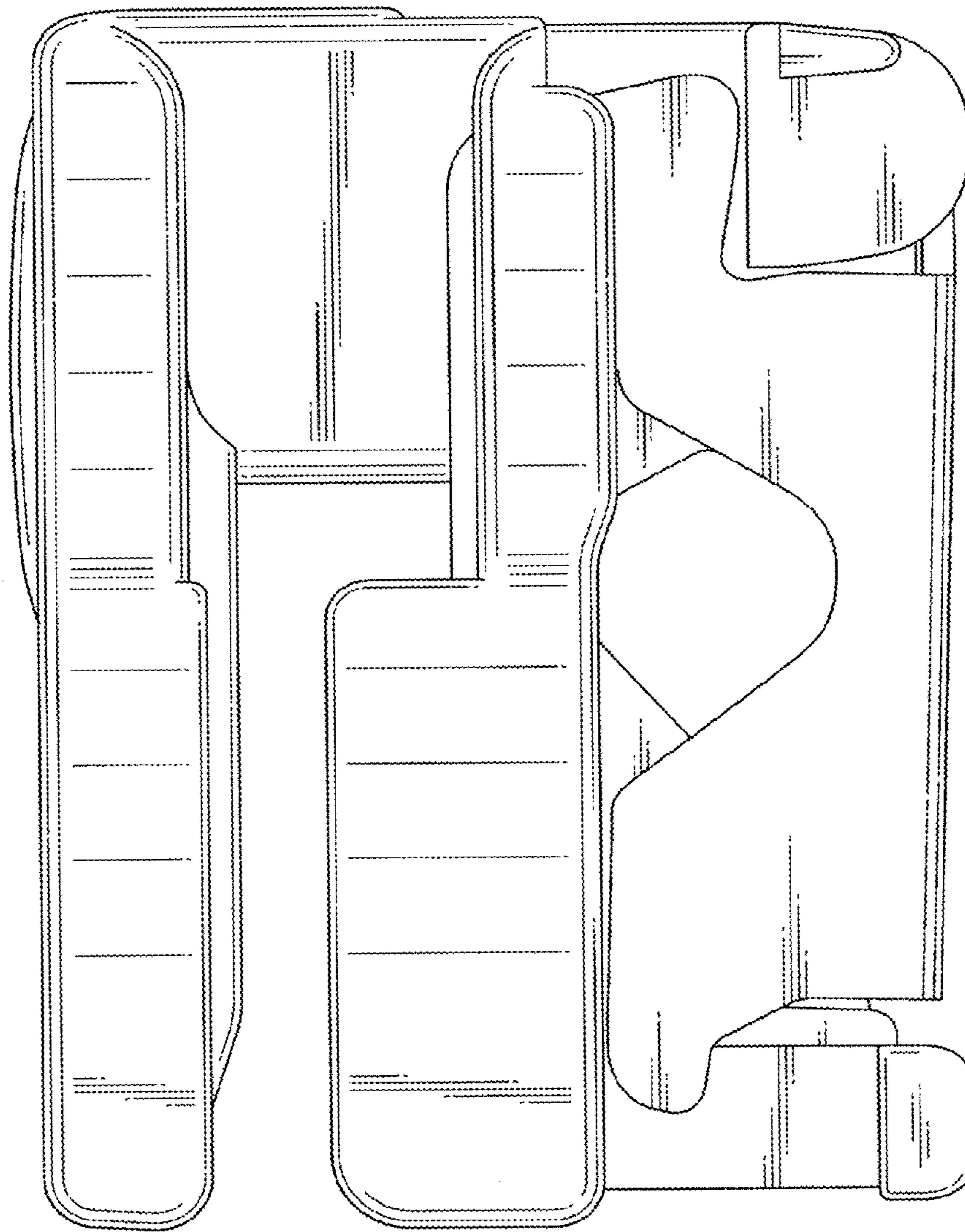


Fig. 6

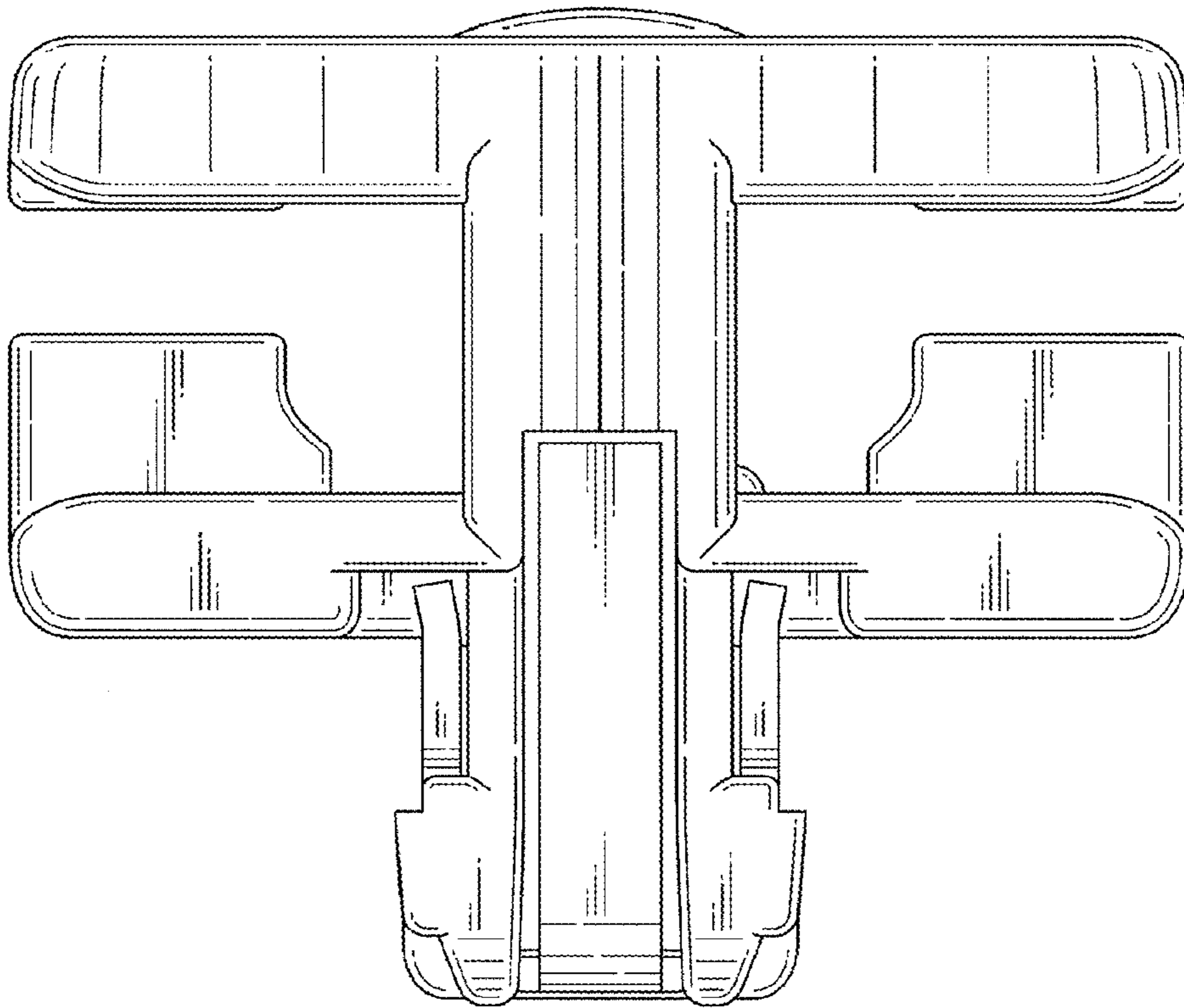


Fig. 7

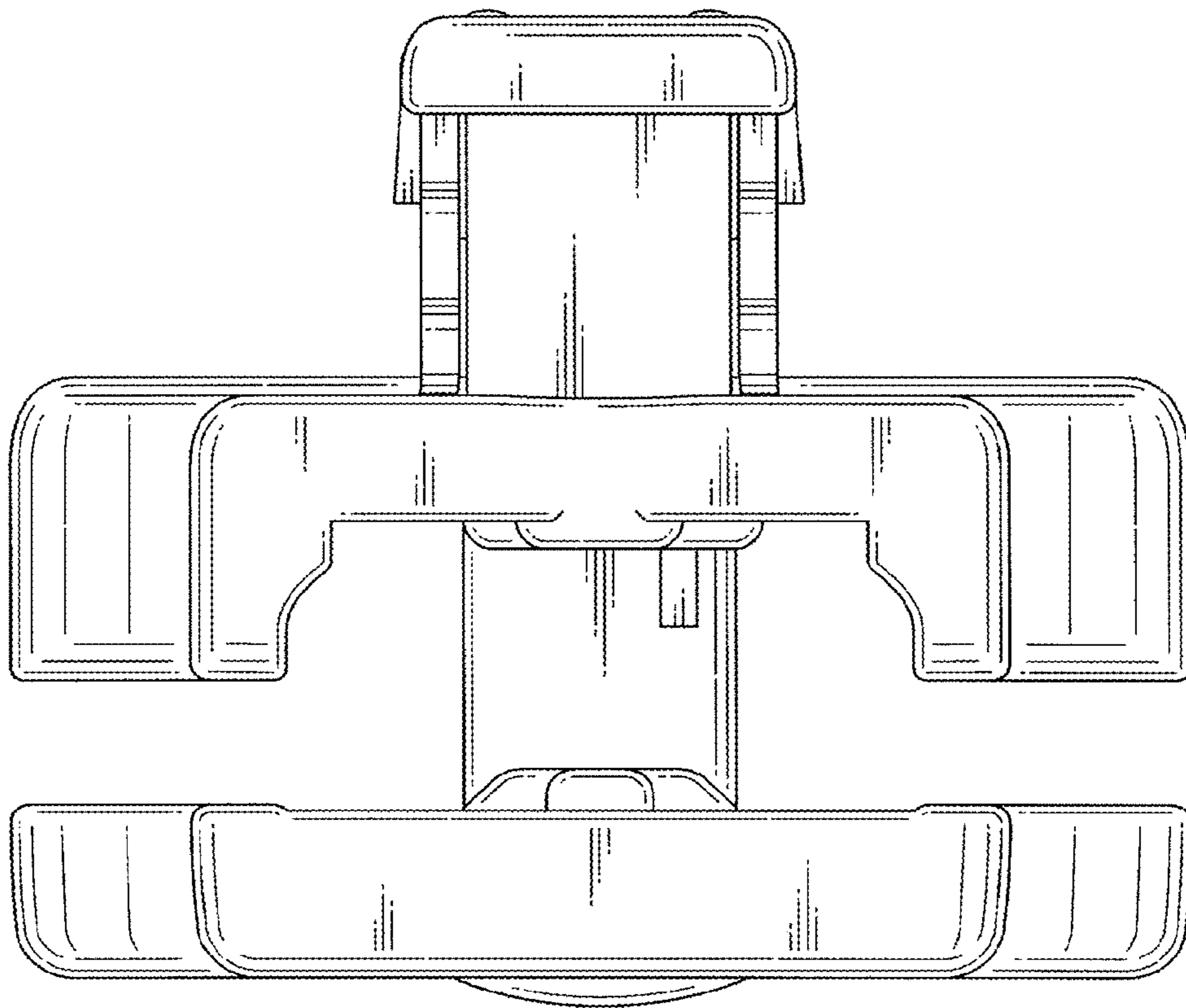


Fig. 8

