



US00D673075S

(12) **United States Design Patent**
Elia

(10) **Patent No.:** **US D673,075 S**

(45) **Date of Patent:** **** Dec. 25, 2012**

(54) **ORNAMENT**

(75) Inventor: **Paul Elia**, Toronto (CA)

(73) Assignee: **621542 Ontario Limited**, Toronto (CA)

(**) Term: **14 Years**

(21) Appl. No.: **29/419,939**

(22) Filed: **May 3, 2012**

(51) **LOC (9) Cl.** **11-02**

(52) **U.S. Cl.** **D11/157**

(58) **Field of Classification Search** D11/1,
D11/44, 48, 56, 70, 75, 78, 79, 81, 96, 99,
D11/103, 108, 121, 122, 125, 131, 141, 157,
D11/184; D6/450, 451, 458, 462, 487, 497,
D6/499; D99/25, 27, 99; D20/29, 36; 428/3,
428/7-16, 542.2, 542.4, 542.6; 52/80.1,
52/80.2, 81.6, 648.1; 248/915; 211/181.1

See application file for complete search history.

(56) **References Cited**

U.S. PATENT DOCUMENTS

D169,428 S *	4/1953	Du Bois	D11/116
D240,237 S *	6/1976	McVicker	D11/157
D248,936 S *	8/1978	Lohan	D11/157
D363,041 S *	10/1995	Ridenour	D11/81
D393,016 S *	3/1998	Young	D21/398

D472,930 S *	4/2003	Bump	D19/62
D513,394 S *	1/2006	Lecut	D11/116
D516,460 S *	3/2006	Lamb	D11/116
D525,309 S *	7/2006	Commodore	D19/96
D528,465 S *	9/2006	Quarters	D11/157
D590,574 S *	4/2009	Pawlik	D99/27
D617,676 S *	6/2010	Seyfferth	D11/157
D619,926 S *	7/2010	Letney	D11/157
D666,520 S *	9/2012	Schmidt	D11/81

* cited by examiner

Primary Examiner — T. Chase Nelson

Assistant Examiner — Michelle E Wilson

(74) *Attorney, Agent, or Firm* — McMillan LLP

(57) **CLAIM**

The ornamental design for an ornament, as shown and described.

DESCRIPTION

FIG. 1 is a perspective view of the ornament taken from the right front side.

FIG. 2 is a perspective view of the design of FIG. 1 taken from the left front side;

FIG. 3 is a top plan view of the design of FIG. 1;

FIG. 4 is a bottom plan view of the design of FIG. 1;

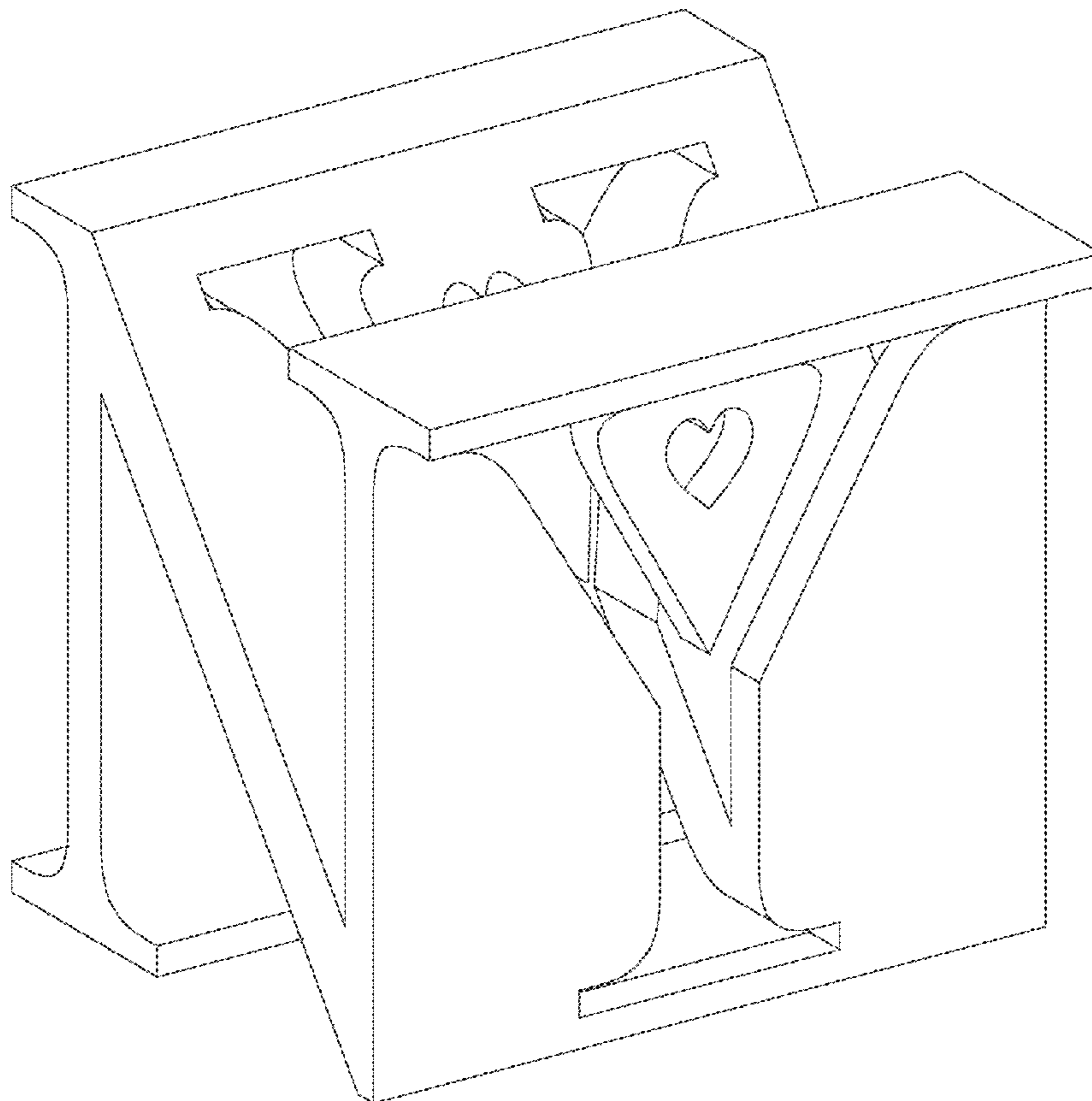
FIG. 5 is a right side elevational view of the design of FIG. 1;

FIG. 6 is a left side elevational view the design of FIG. 1;

FIG. 7 is a front elevational view of the design of FIG. 1; and,

FIG. 8 is a back elevational view of the design of FIG. 1.

1 Claim, 8 Drawing Sheets



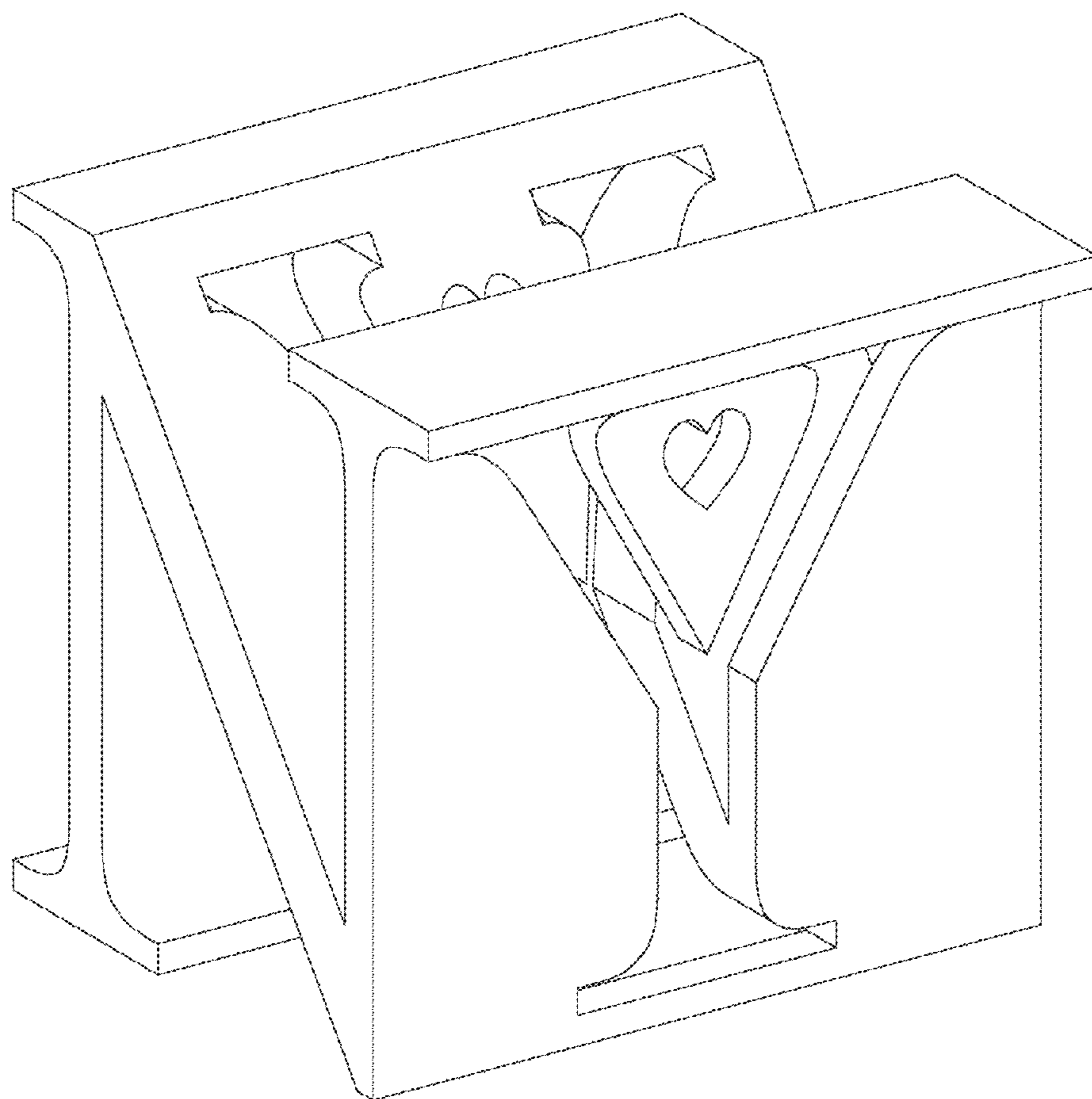


FIG. 1

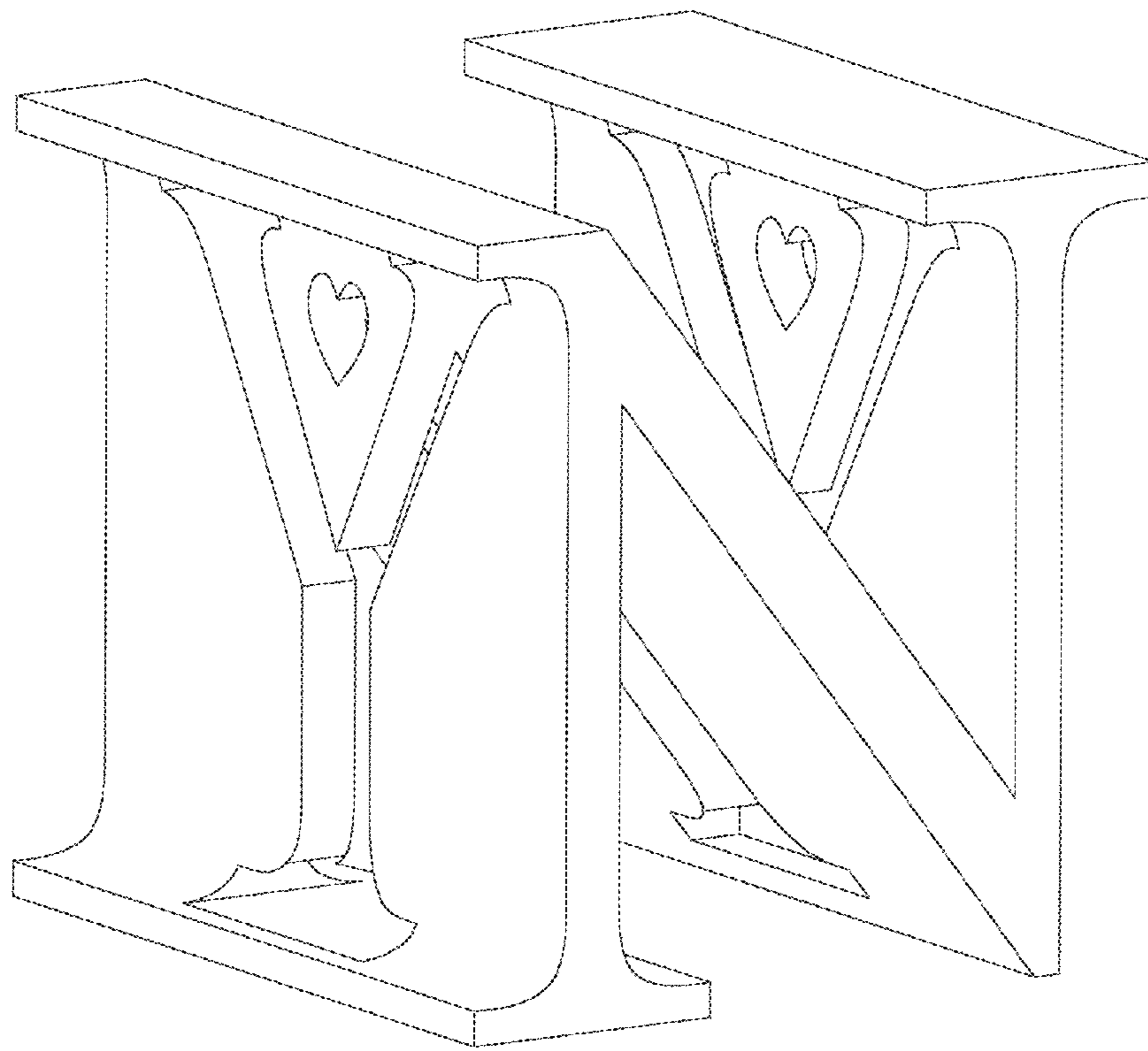


FIG. 2

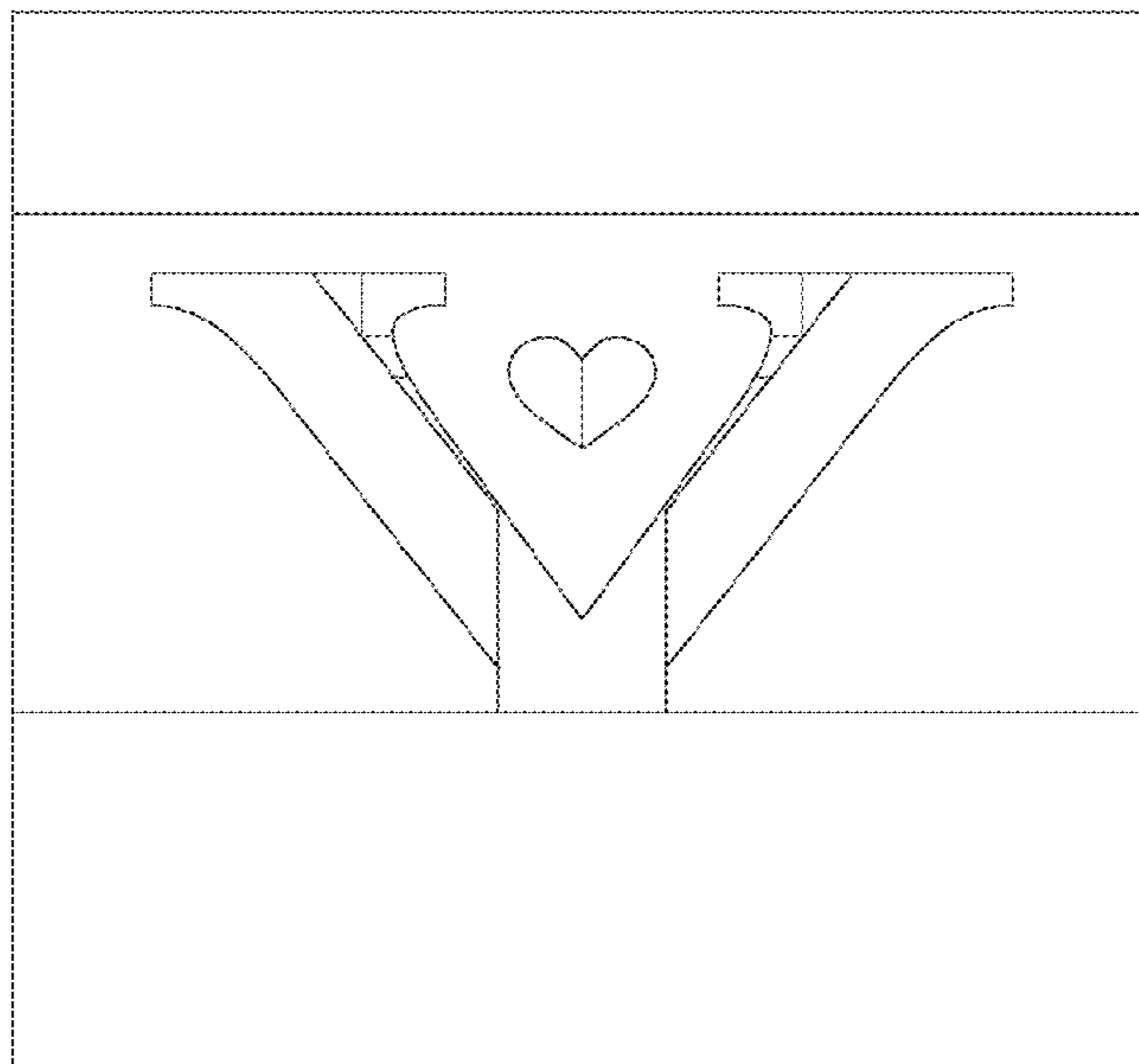


FIG. 3

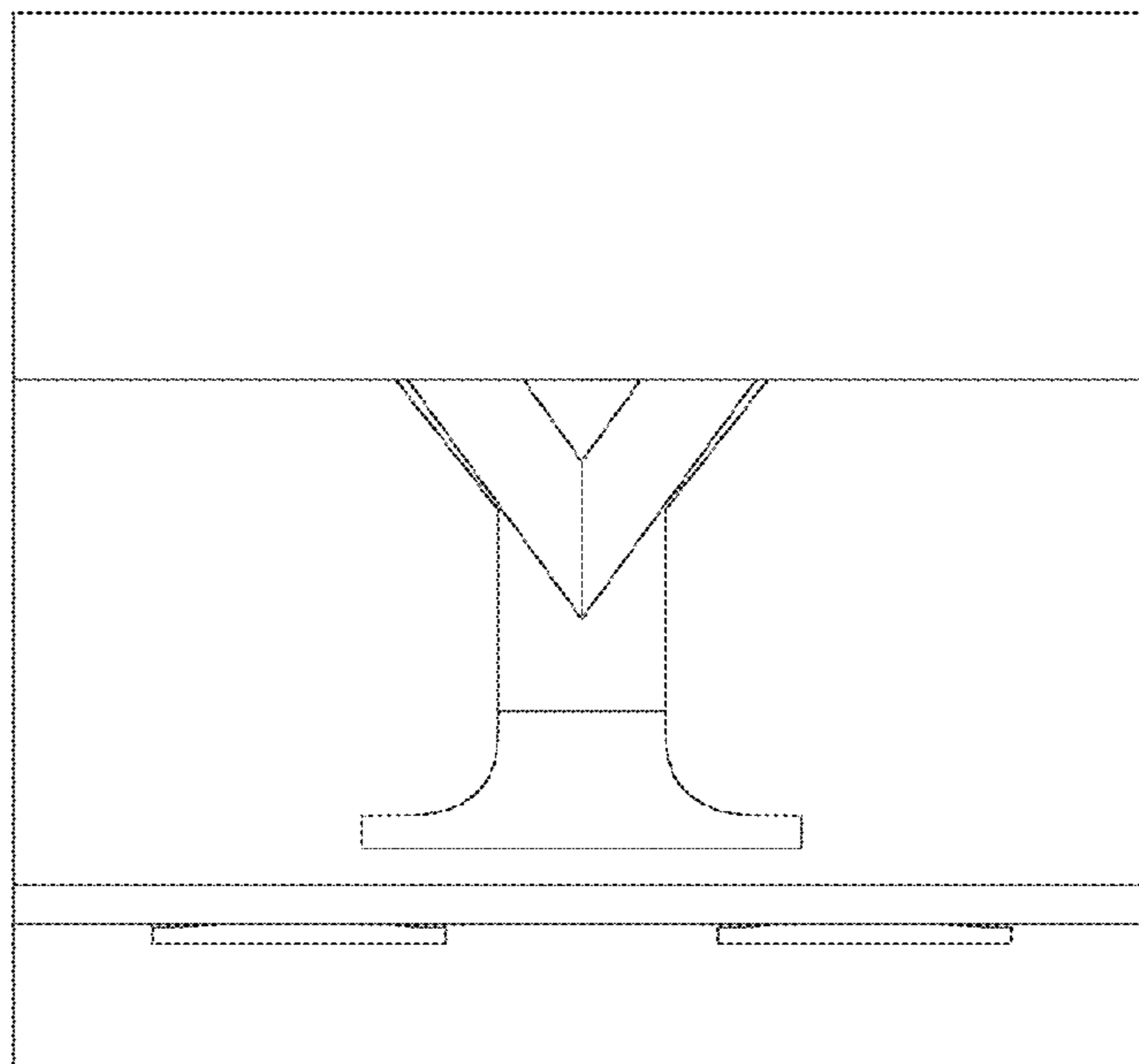


FIG. 4

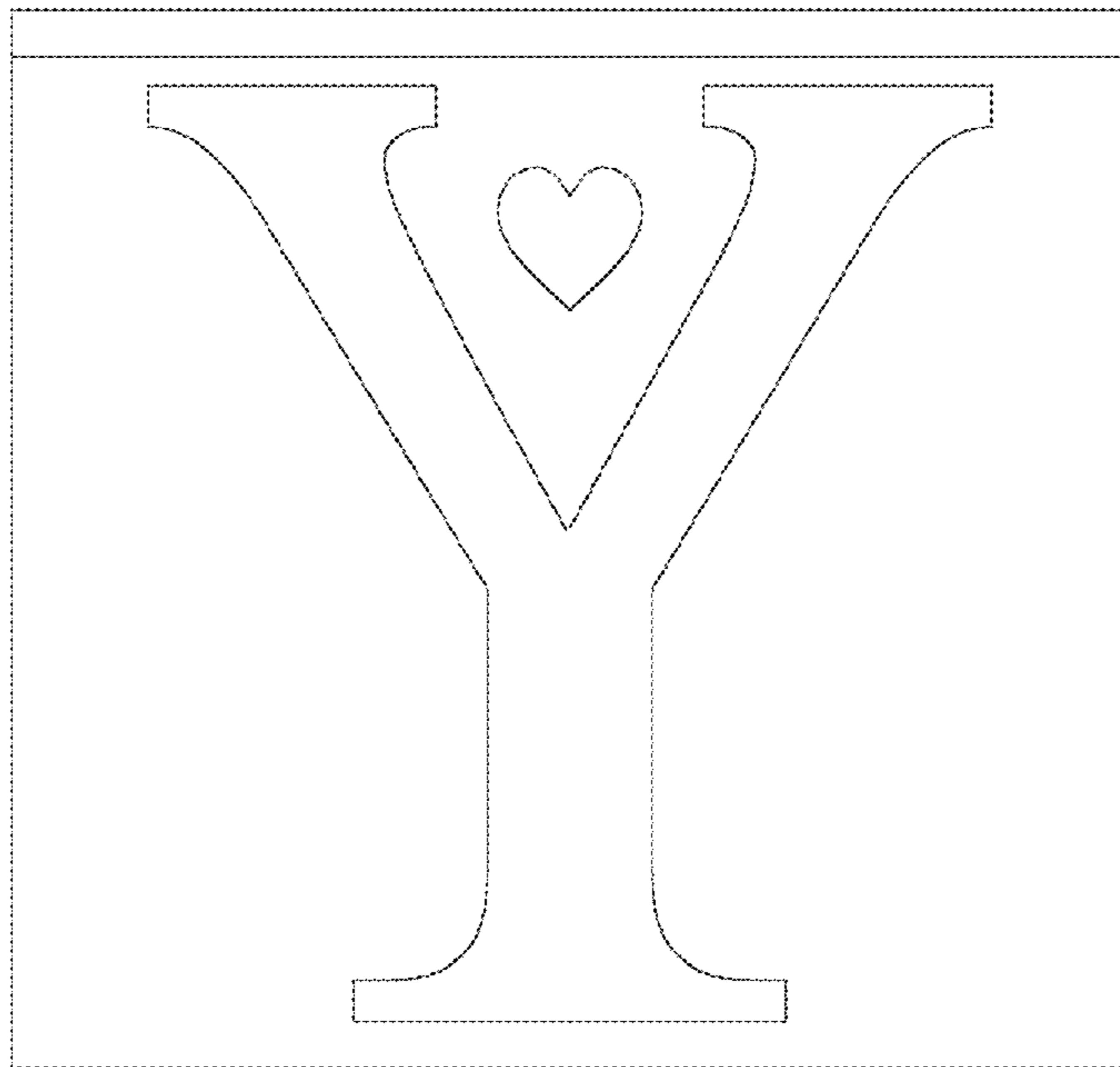


FIG. 5

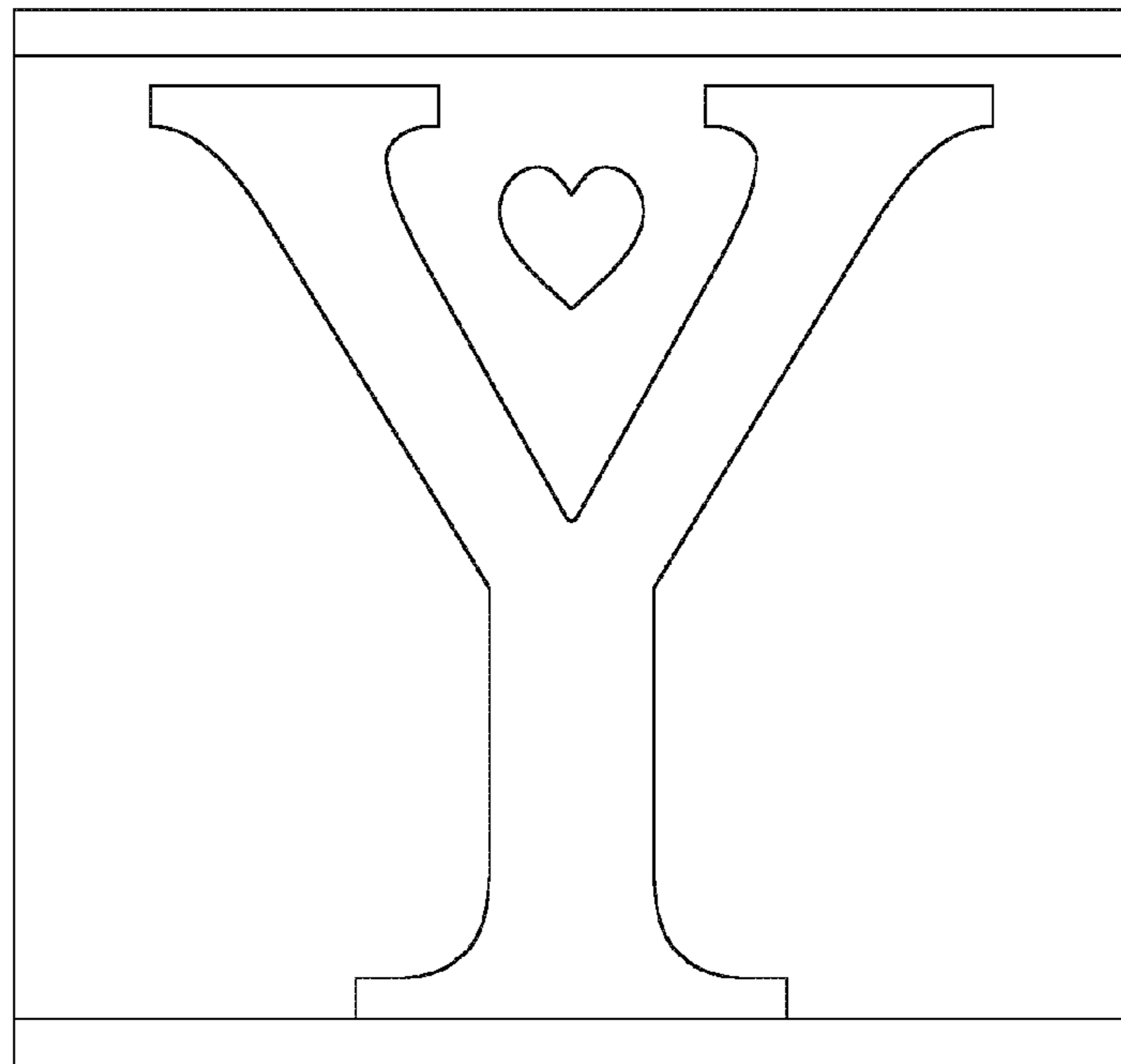


FIG. 6

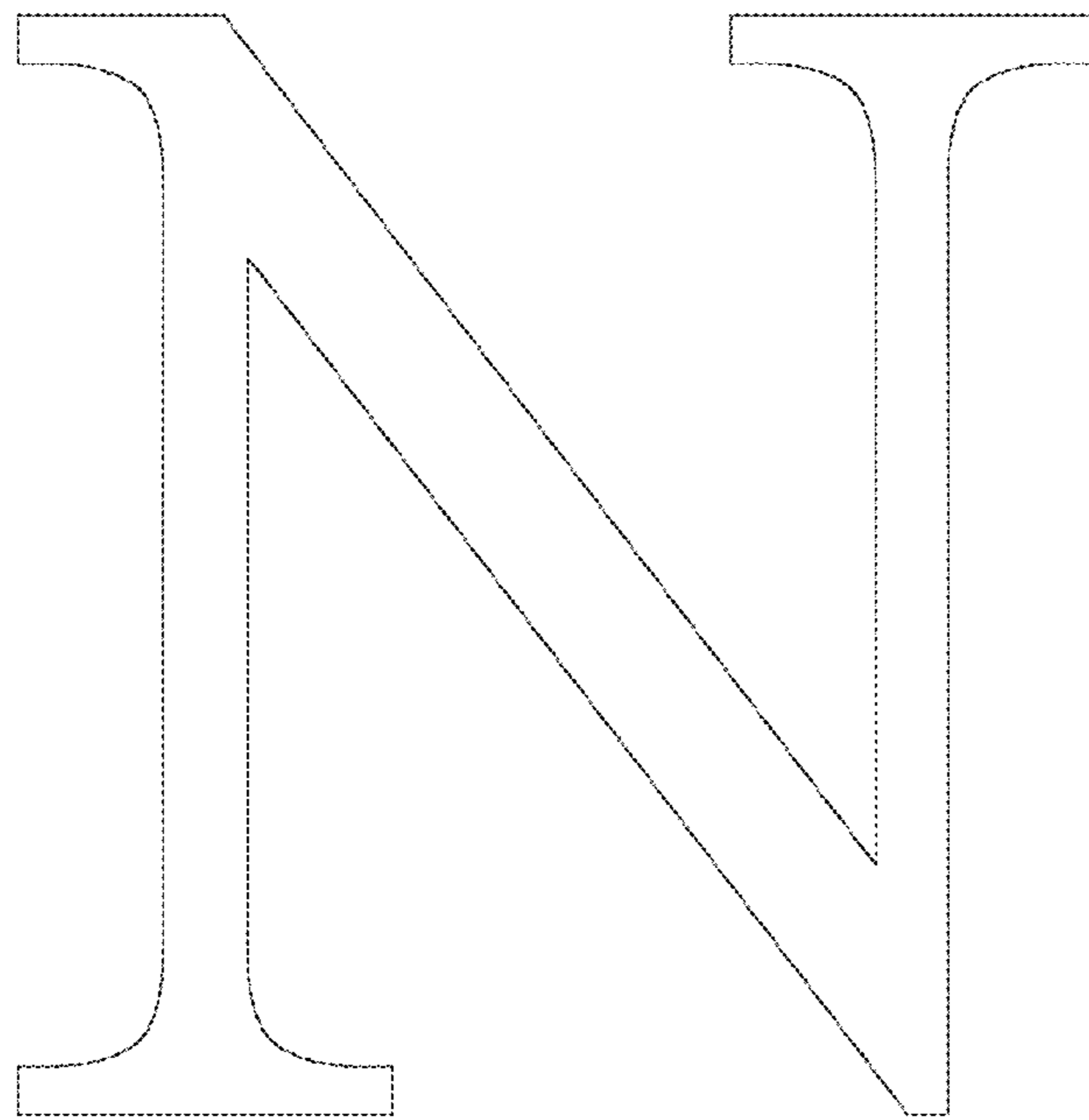


FIG. 7

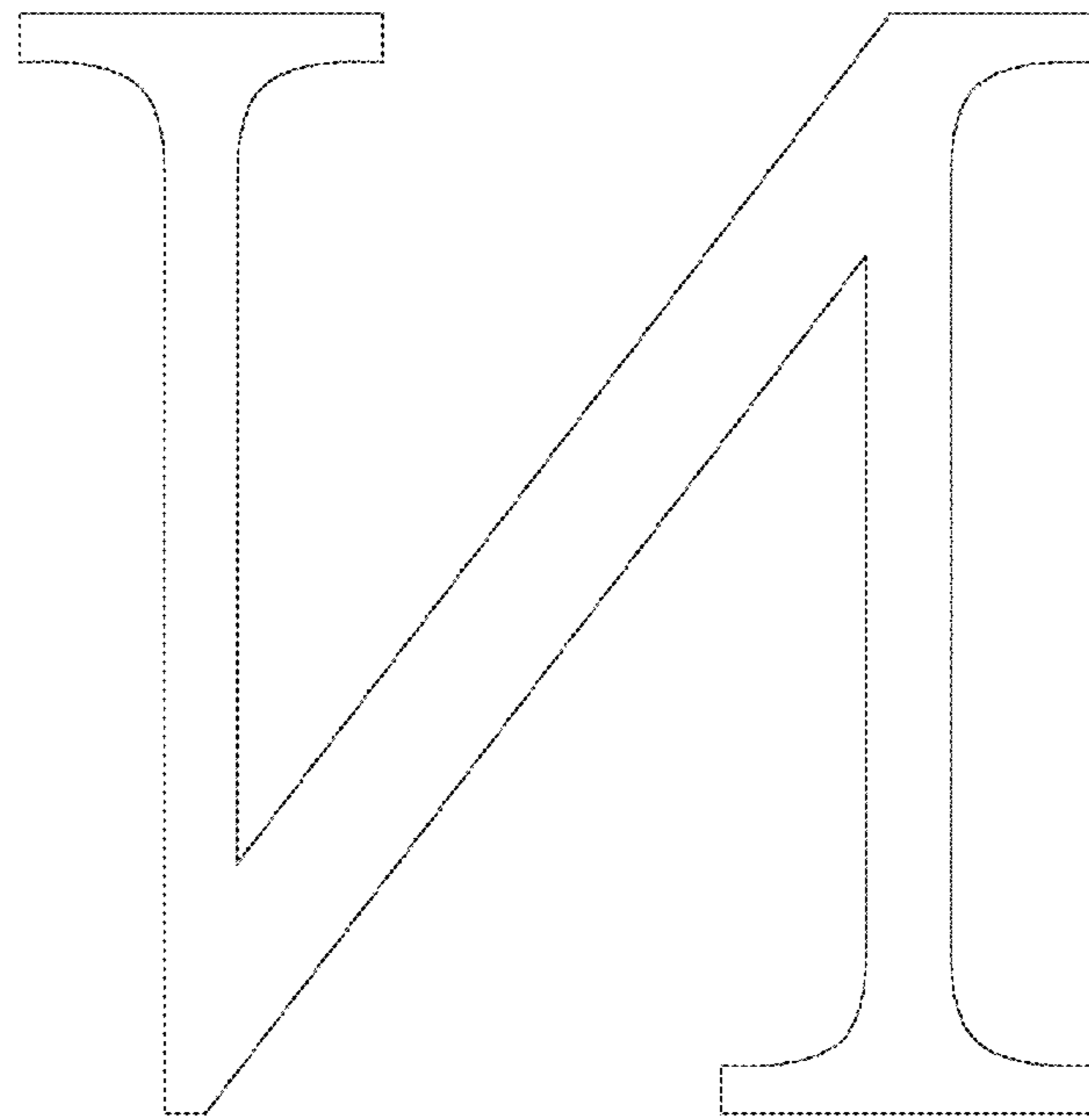


FIG. 8