

US00D673074S

(12) **United States Design Patent**  
**Zhao**

(10) **Patent No.:** **US D673,074 S**  
(45) **Date of Patent:** **\*\* Dec. 25, 2012**

(54) **RECONFIGURABLE PLANTING MODULE**

(76) Inventor: **Lin Zhao**, Toronto (CA)

(\*\*) Term: **14 Years**

(21) Appl. No.: **29/415,118**

(22) Filed: **Mar. 7, 2012**

(51) **LOC (9) Cl.** ..... **11-02**

(52) **U.S. Cl.** ..... **D11/156; D11/143**

(58) **Field of Classification Search** ..... D6/403-405,  
D6/556-558; D8/1; D11/143-156, 164;  
D19/77, 80, 81, 84; D25/100; D26/9-11,  
D26/16, 19; D34/1, 2, 4-6; D99/5, 19; 47/17,  
47/32.4, 32.5, 32.7, 33, 39, 41.01, 41.1, 41.11-41.15,  
47/44-47, 65, 65.5, 65.9, 66.1, 66.2, 66.6,  
47/66.7, 67-71

See application file for complete search history.

(56) **References Cited**

**U.S. PATENT DOCUMENTS**

D265,893 S *	8/1982	Whiting	.....	D11/156
D315,877 S *	4/1991	Hedges	.....	D11/143
D603,181 S *	11/2009	Carlington	.....	D6/405
D614,992 S *	5/2010	DiPaolo et al.	.....	D11/156
D624,846 S *	10/2010	Schick	.....	D11/156

\* cited by examiner

*Primary Examiner* — Garth Rademaker

(74) *Attorney, Agent, or Firm* — Yiding Wu; Haynes Beffel & Wolfeld LLP

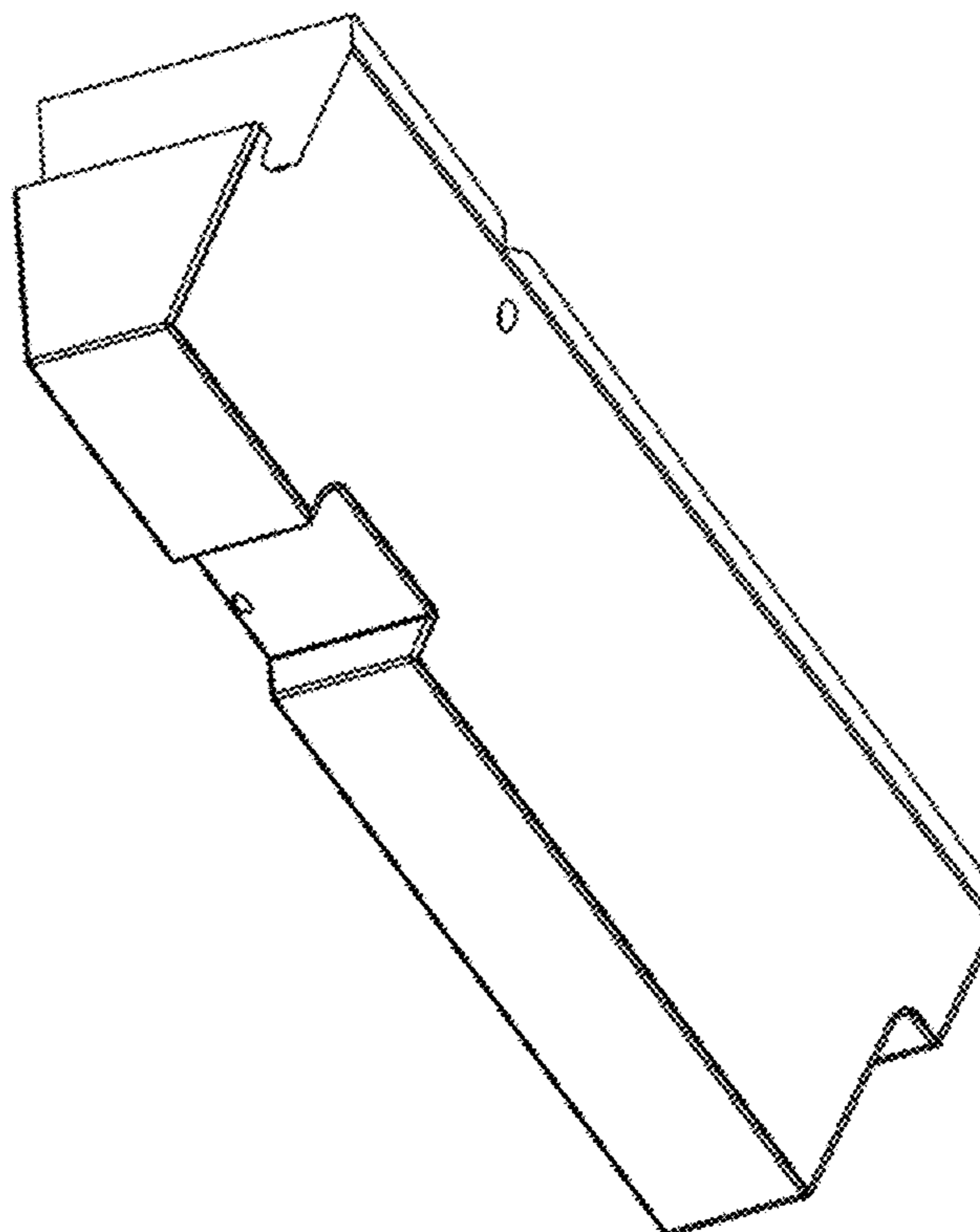
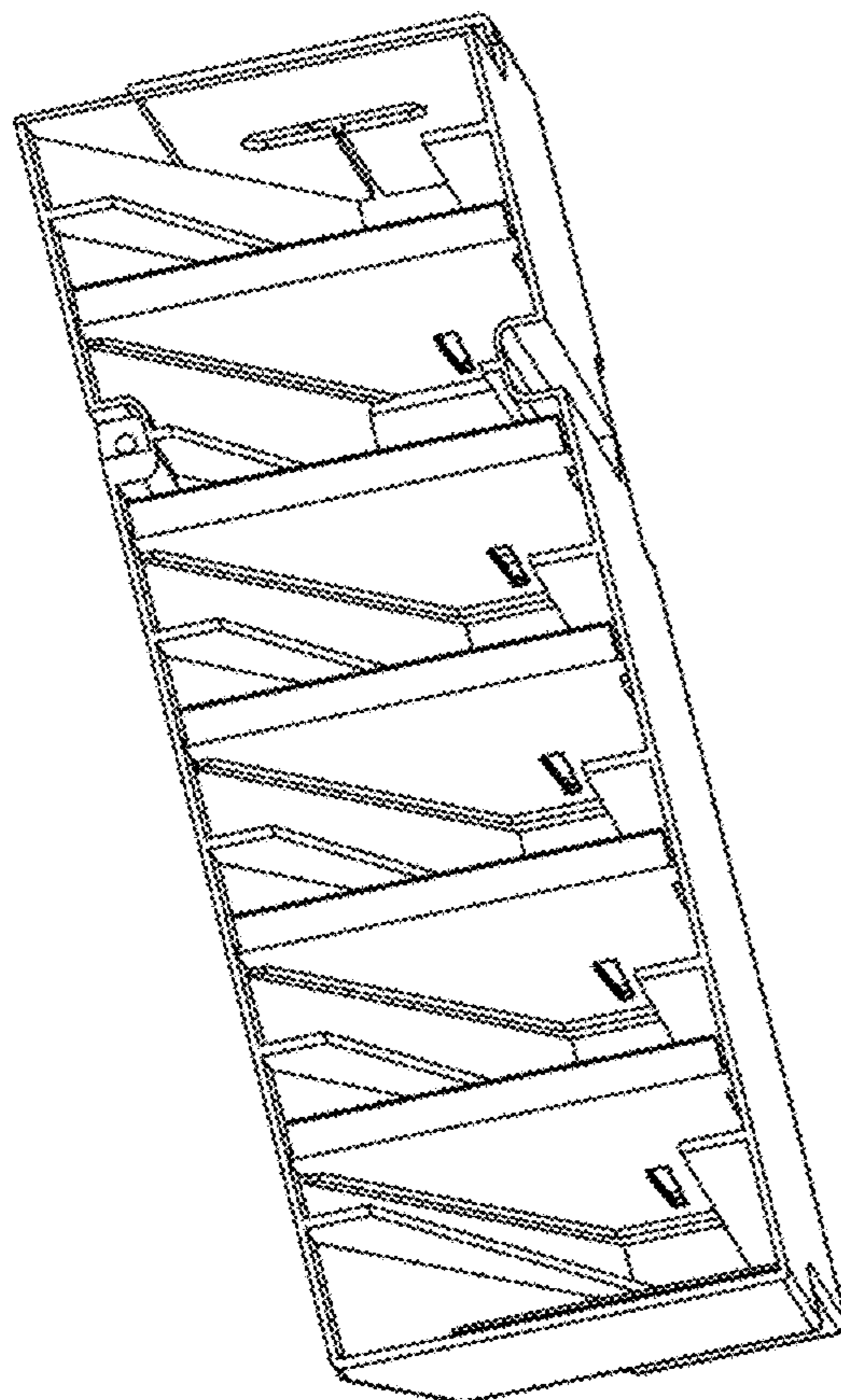
(57) **CLAIM**

The ornamental design for a reconfigurable planting module, as shown and described.

**DESCRIPTION**

FIG. 1 is a front, right side, bottom perspective view of a reconfigurable planting module showing my new design; FIG. 2 is a rear, left side, top perspective view thereof; FIG. 3 is a top plan view thereof; FIG. 4 is a bottom plan view thereof; FIG. 5 is a bottom, front perspective view of one of the shelves, shown removed from the reconfigurable planting module; FIG. 6 is a top, rear perspective view of the shelf shown in FIG. 5; and, FIG. 7 is a front, right side, bottom perspective view of the reconfigurable planting module shown with all shelves removed in order to show interior details. The reconfigurable planting module is used for cultivating plants placed on different removable shelves.

**1 Claim, 5 Drawing Sheets**



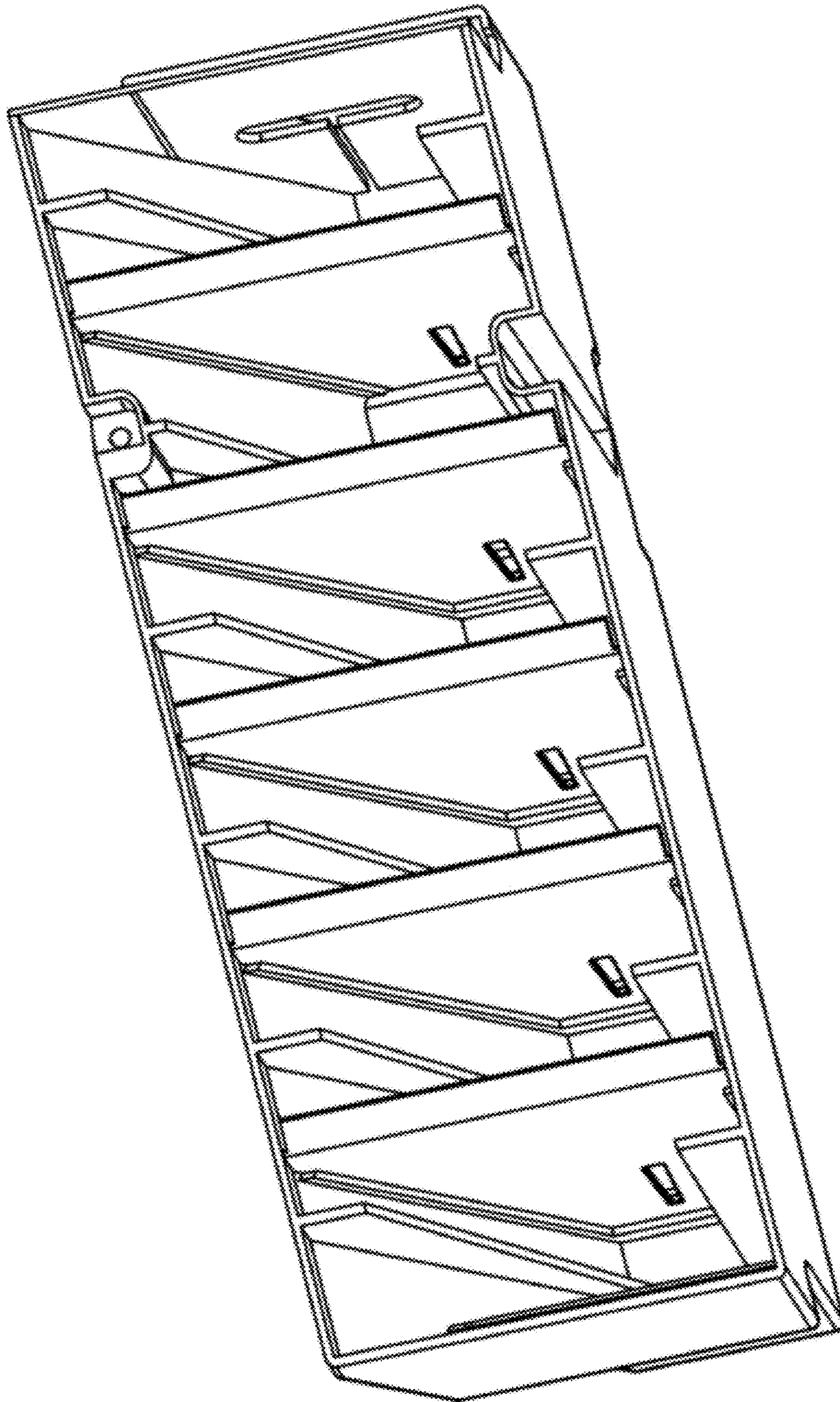


FIG. 1

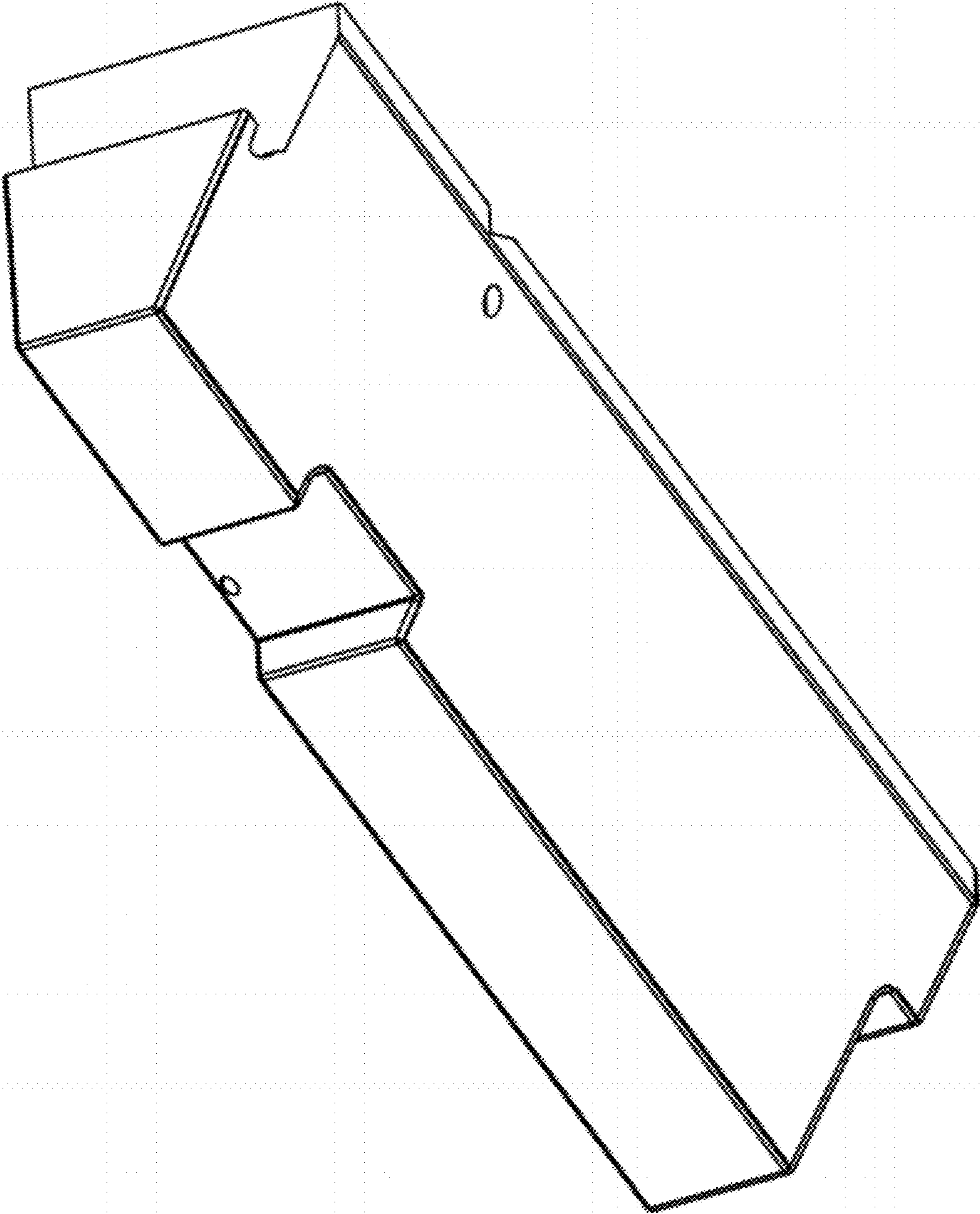


FIG. 2

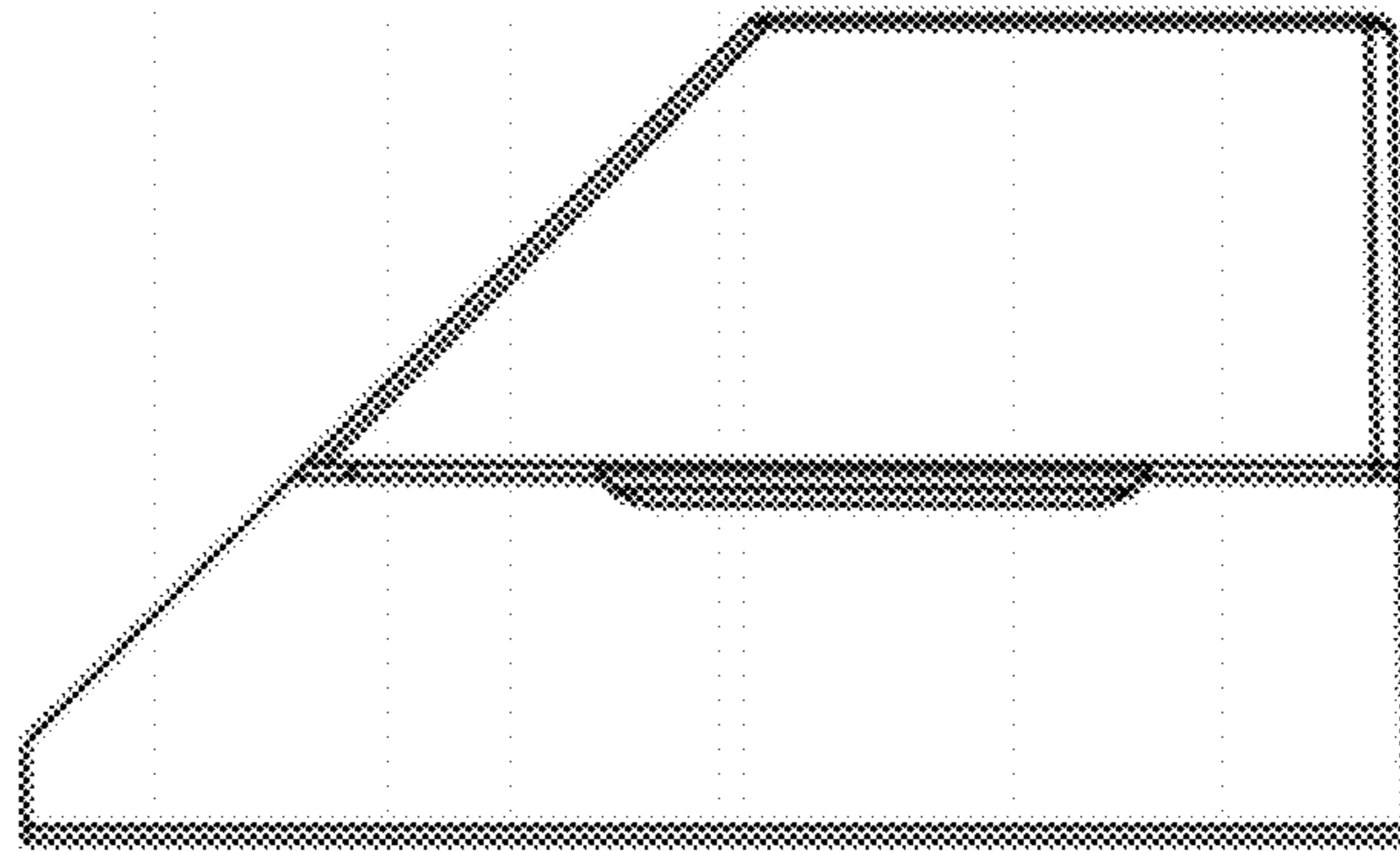


FIG. 3

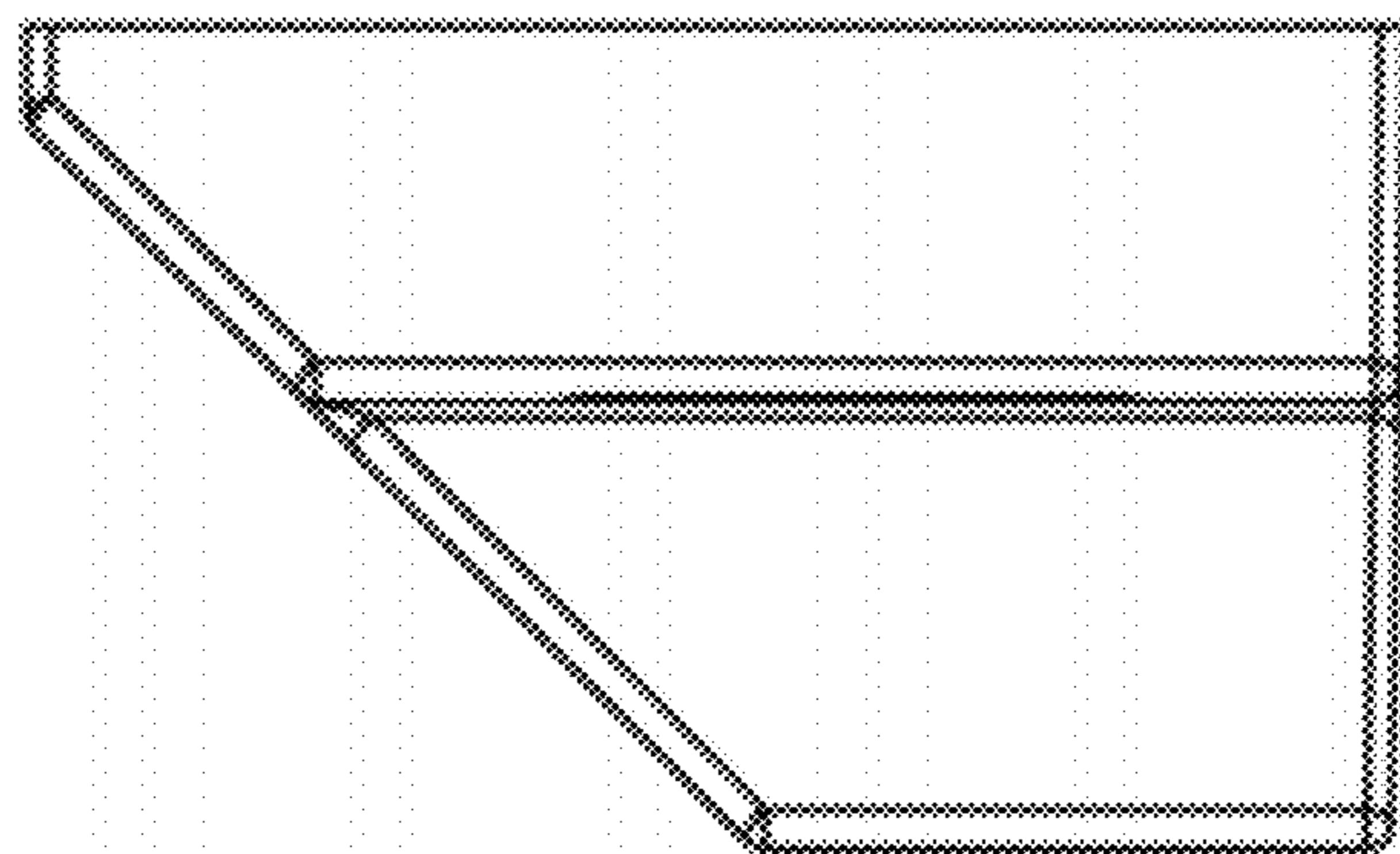


FIG. 4

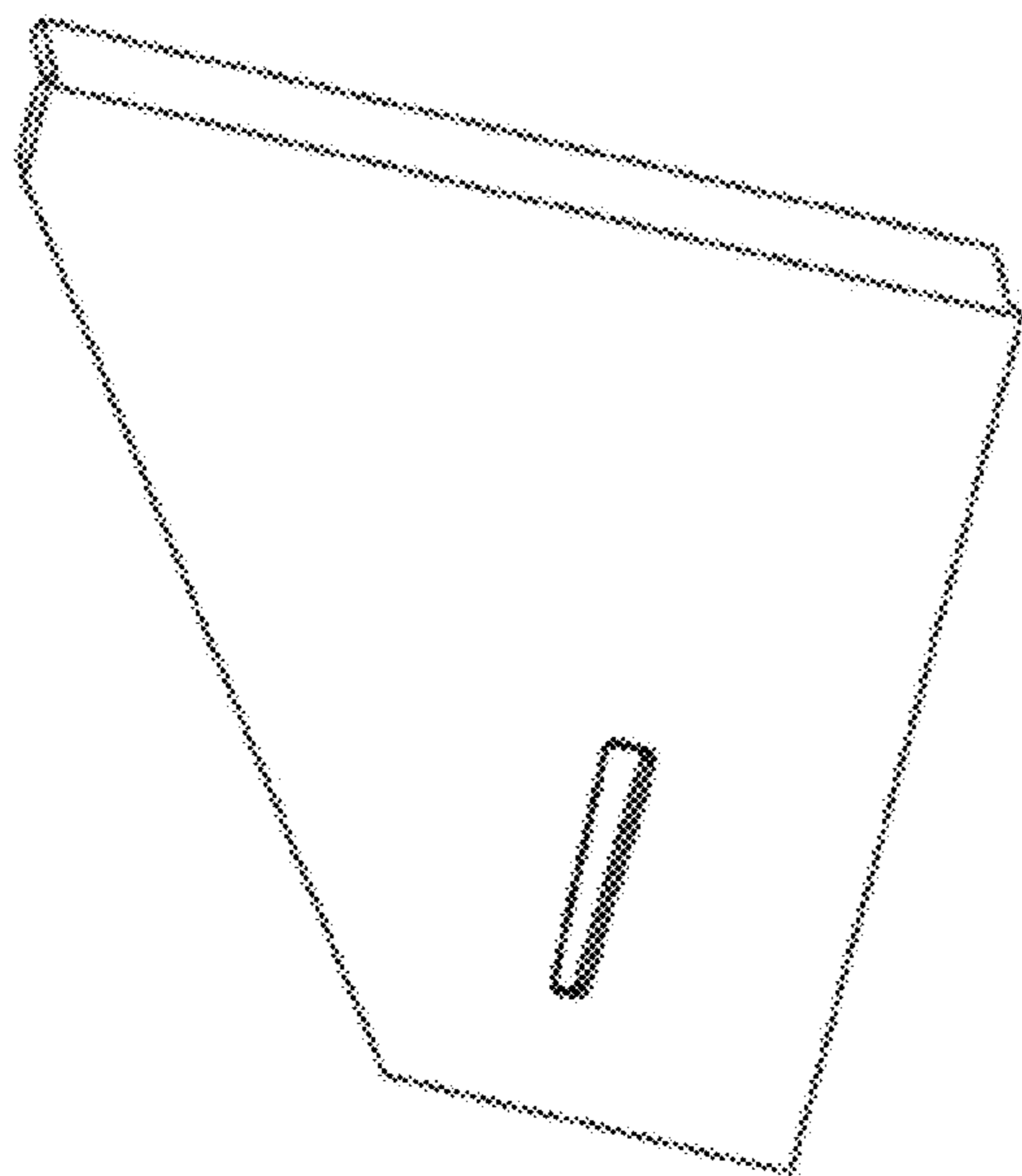


FIG. 5

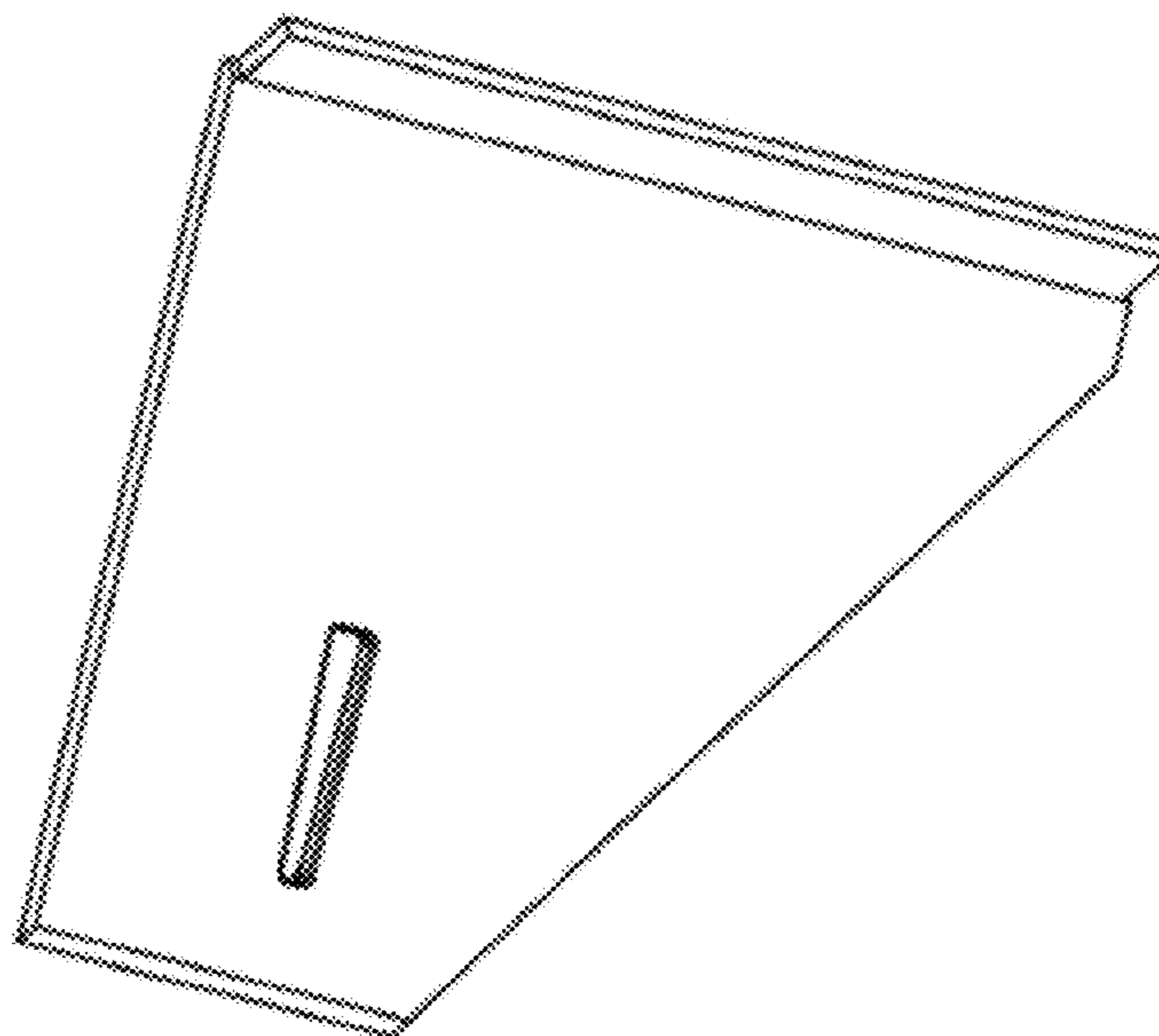


FIG. 6

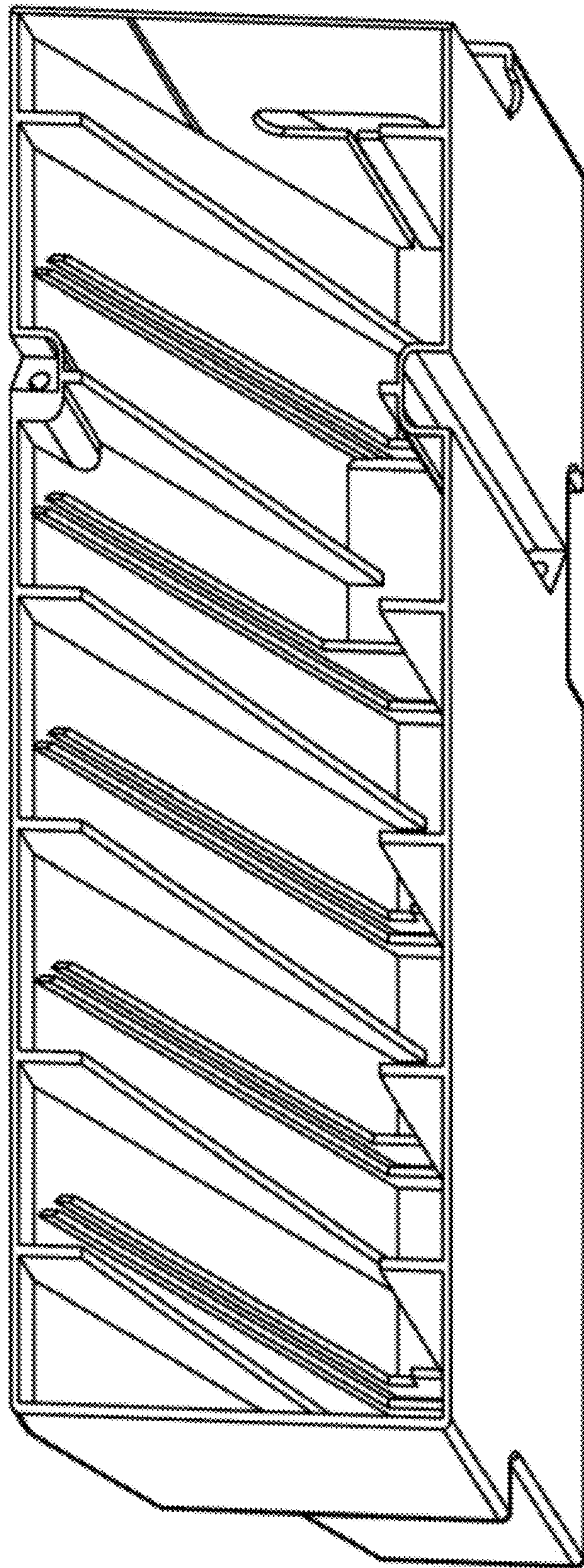


FIG. 7