



US00D673071S

(12) **United States Design Patent**  
**McKinnon**

(10) **Patent No.:** **US D673,071 S**

(45) **Date of Patent:** **\*\* Dec. 25, 2012**

(54) **WRIST BAND CLASP**

(75) Inventor: **Mark A. McKinnon**, Reno, NV (US)

(73) Assignee: **Cube Services, Inc.**, Reno, NV (US)

(\*\*) Term: **14 Years**

(21) Appl. No.: **29/368,817**

(22) Filed: **Aug. 30, 2010**

(51) **LOC (9) Cl.** ..... **11-01**

(52) **U.S. Cl.** ..... **D11/87**

(58) **Field of Classification Search** ..... D11/200-231,  
D11/87, 88, 3, 86; 24/196, 616, 625, 650,  
24/114.6, 303, 658, 41.1, 615; 63/900  
See application file for complete search history.

(56) **References Cited**

**U.S. PATENT DOCUMENTS**

D115,613	S	*	7/1939	Craighead	.....	D11/202
3,974,545	A	*	8/1976	Lossini	.....	24/116 R
4,041,579	A	*	8/1977	Chappel	.....	24/600.8
D353,347	S	*	12/1994	St. Dizier	.....	D11/94
5,479,797	A	*	1/1996	Peterson	.....	63/3

6,161,266	A	*	12/2000	Anscher	.....	24/625
7,549,198	B2	*	6/2009	Gosis et al.	.....	24/20 W
D642,954	S	*	8/2011	Humphries	.....	D11/87
2003/0229974	A1	*	12/2003	Zemer et al.	.....	24/303

\* cited by examiner

*Primary Examiner* — Cathron Brooks

*Assistant Examiner* — Melanie Pellegrini

(74) *Attorney, Agent, or Firm* — McAfee & Taft

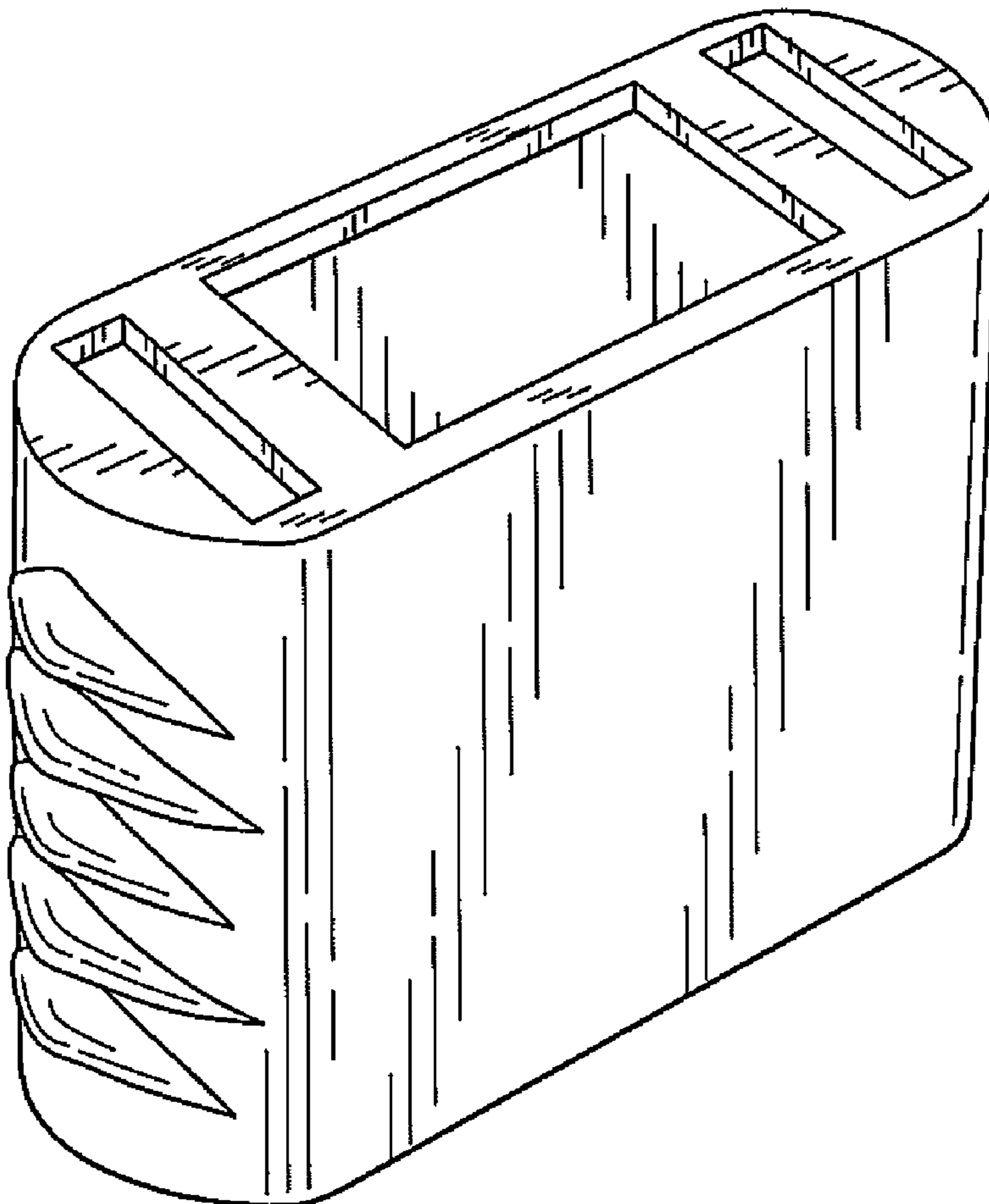
(57) **CLAIM**

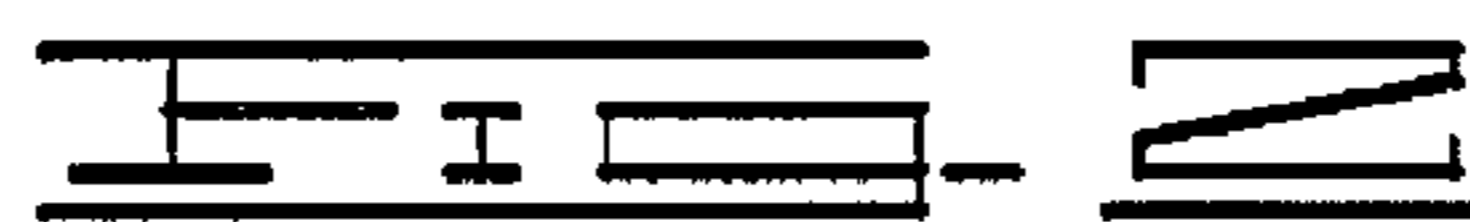
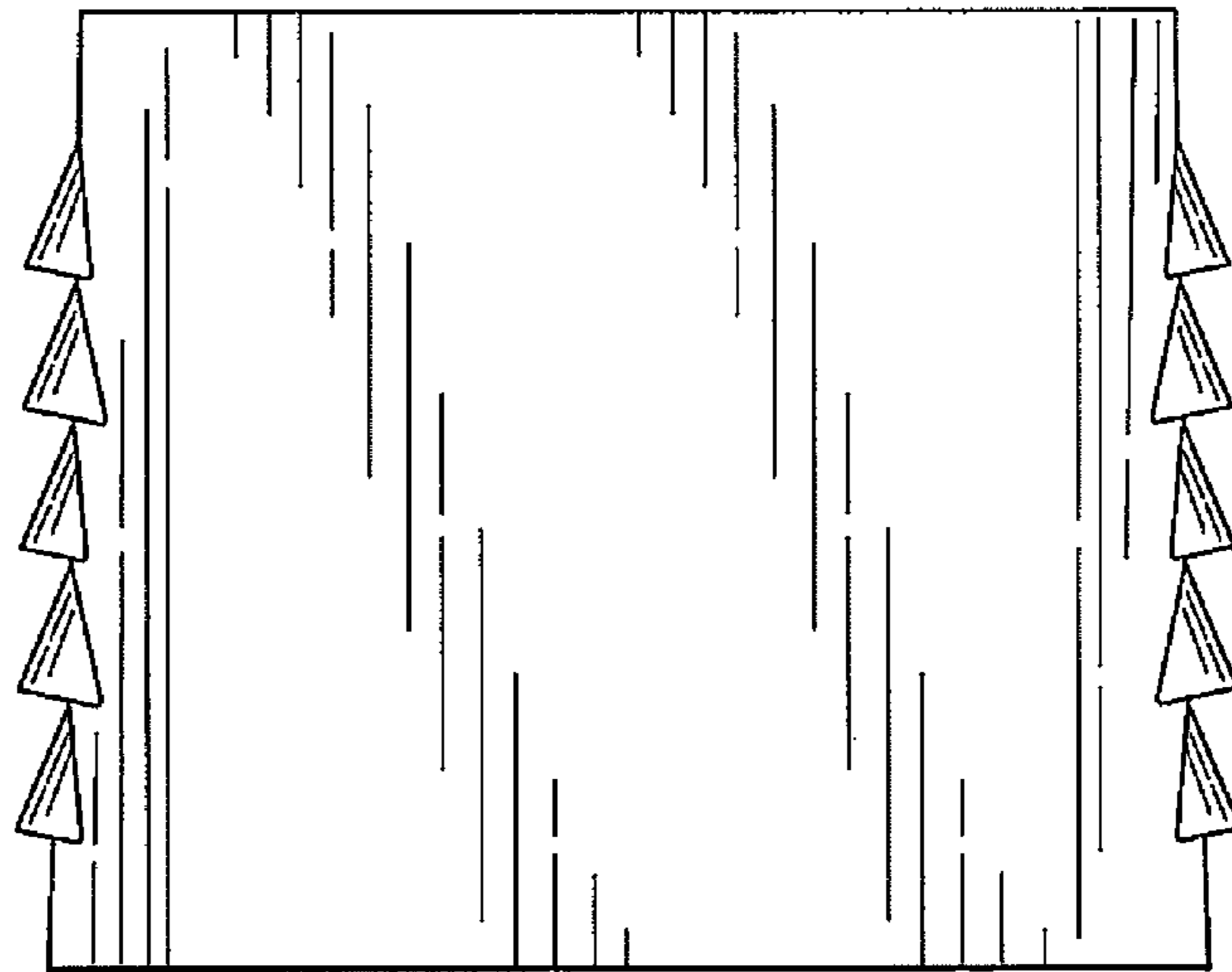
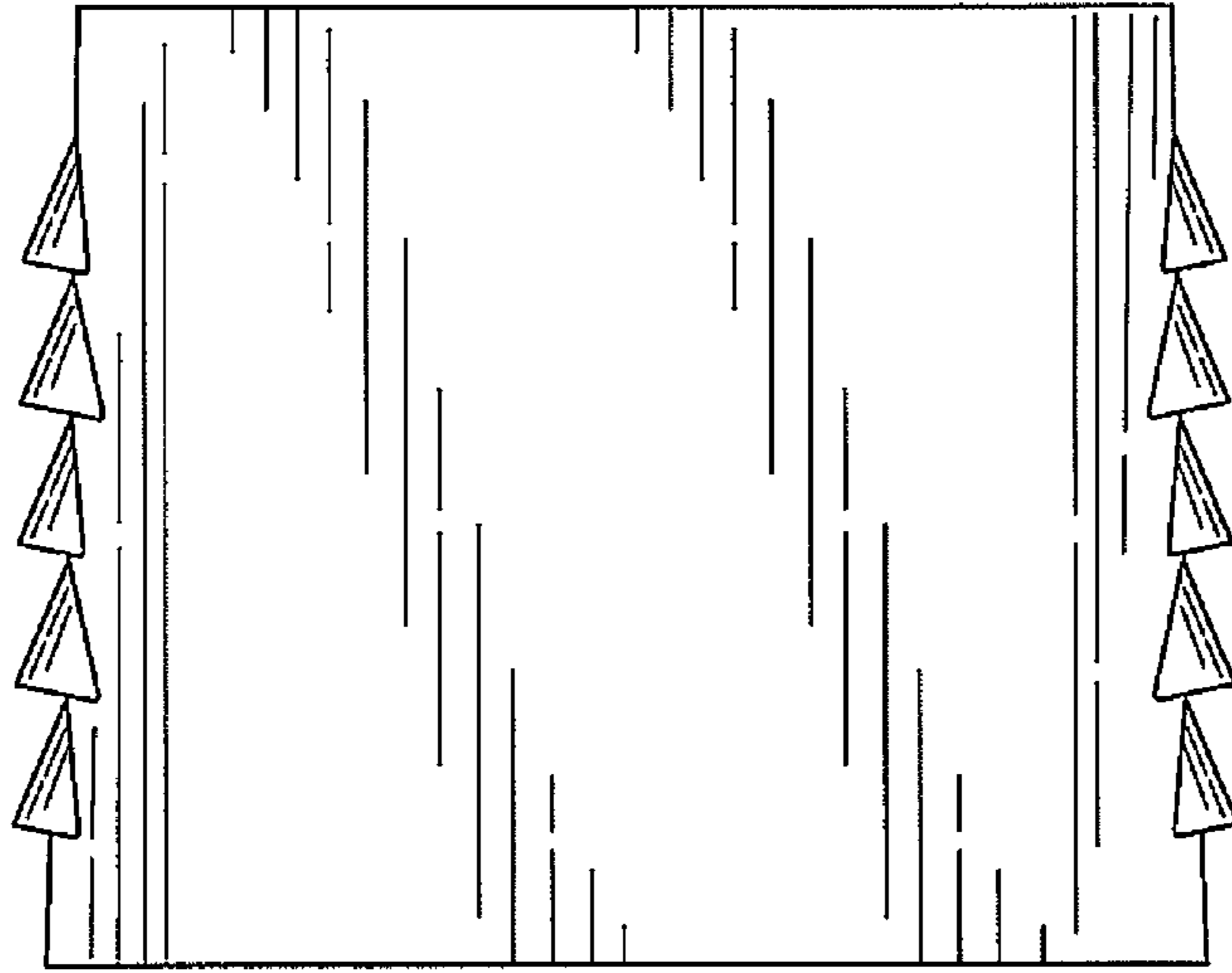
The ornamental design for a wrist band clasp, as shown and described.

**DESCRIPTION**

FIG. 1 is a front view of the clasp;  
FIG. 2 is a rear view thereof;  
FIG. 3 is a left side view thereof;  
FIG. 4 is a right side view thereof;  
FIG. 5 is a top view thereof;  
FIG. 6 is a bottom view thereof;  
FIG. 7 is a top-down perspective view thereof; and,  
FIG. 8 is a bottom-up perspective view thereof.

**1 Claim, 4 Drawing Sheets**





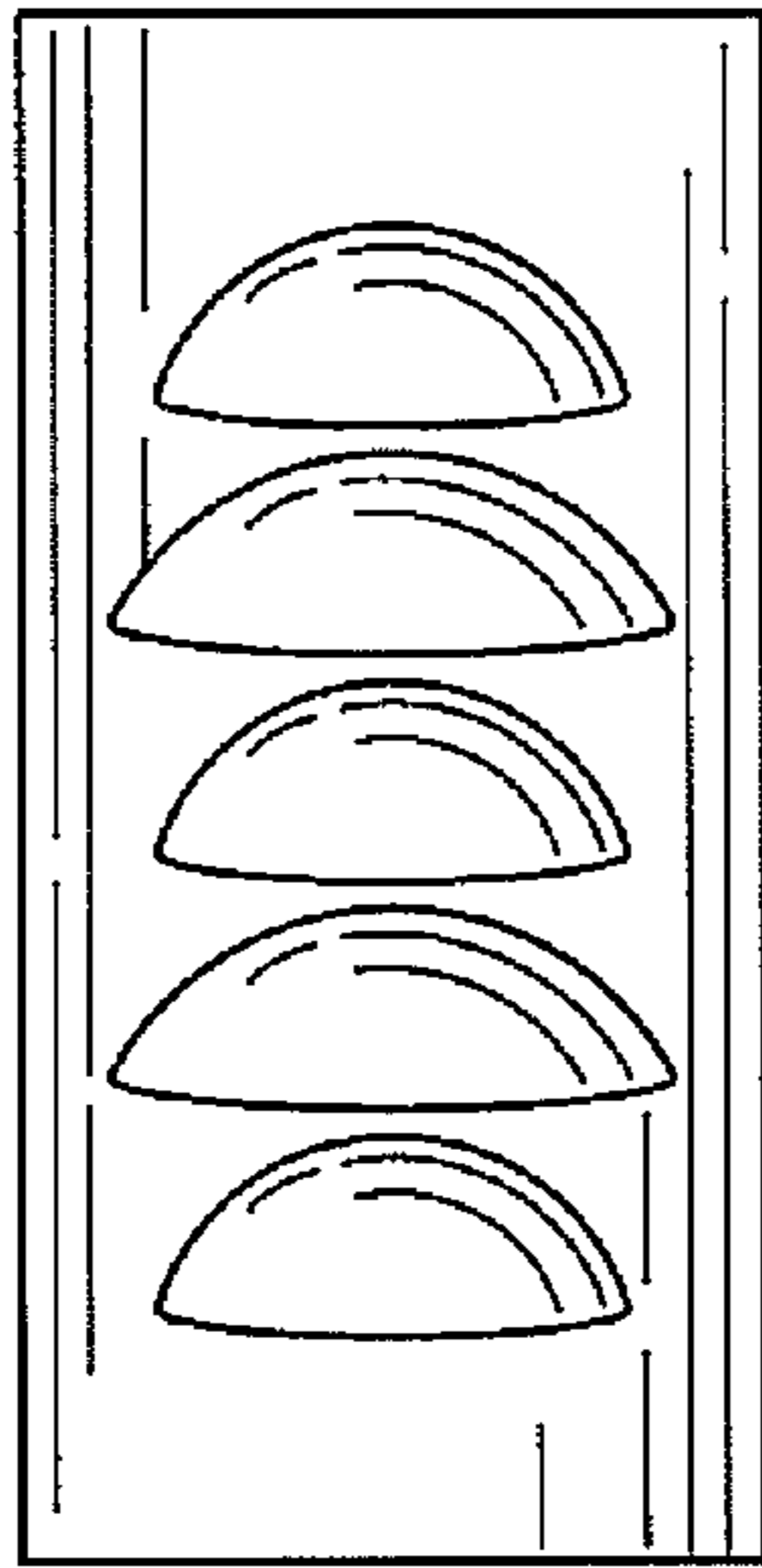


FIG. 3

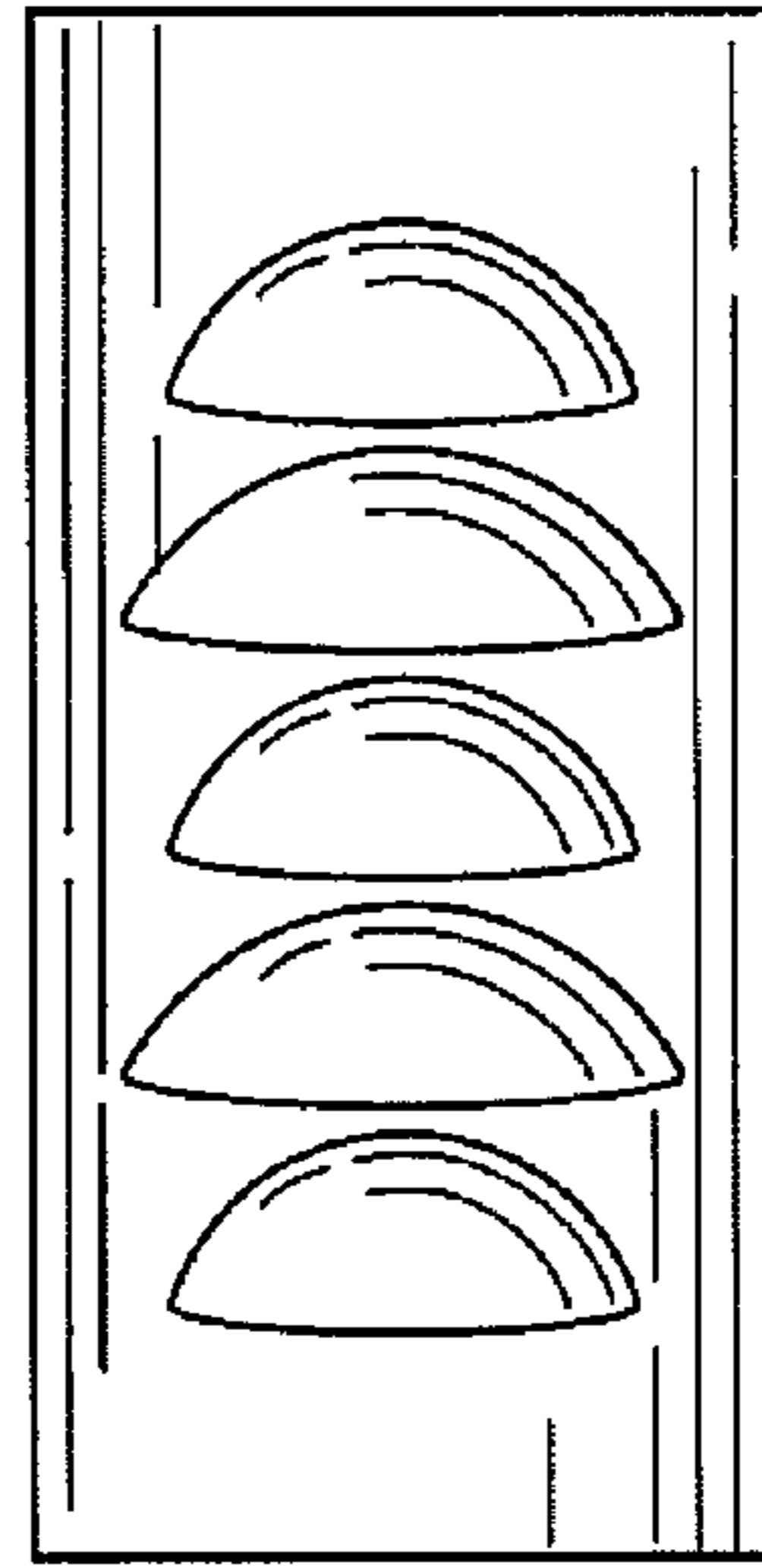


FIG. 4

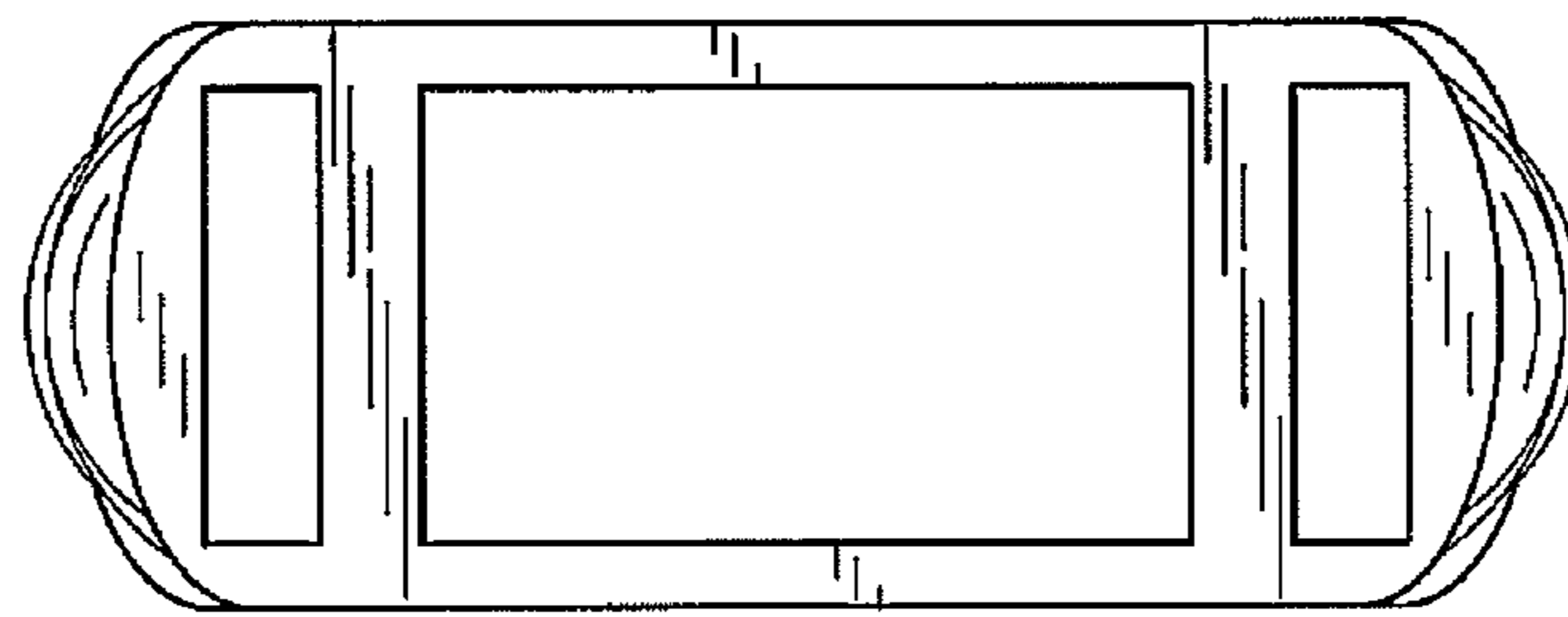


FIG. 5

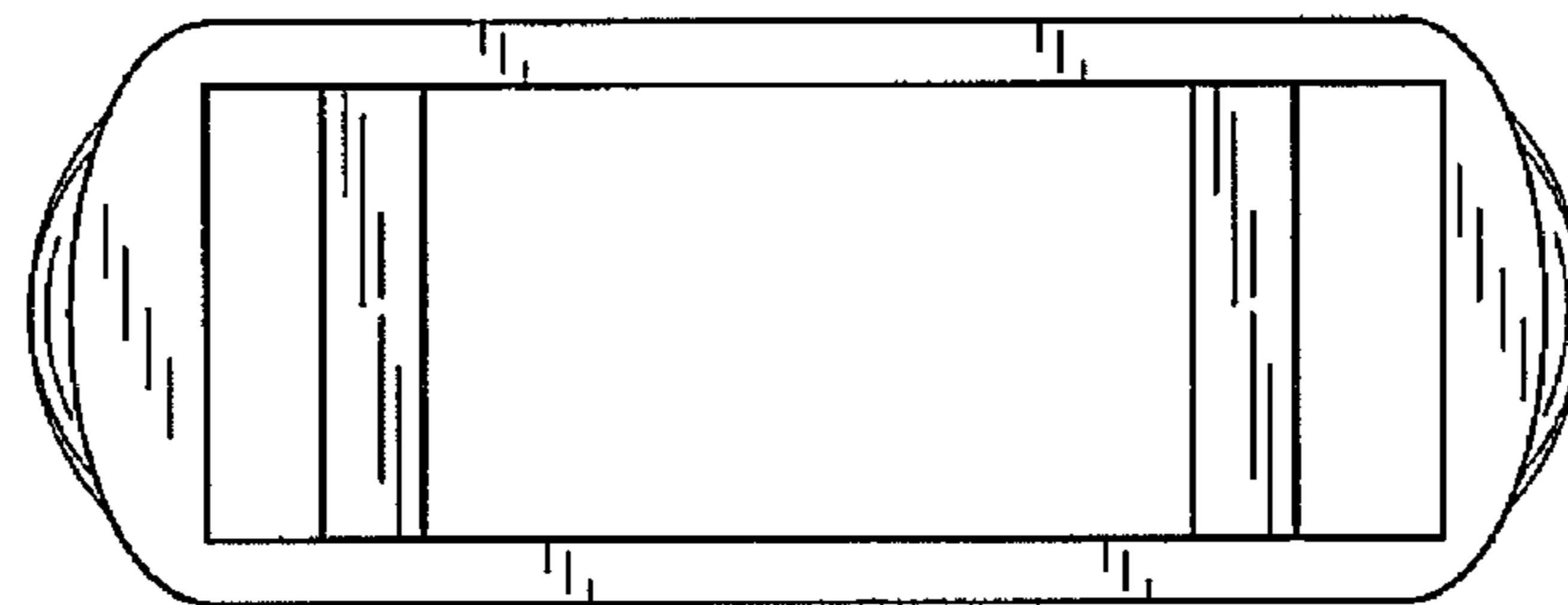


FIG. 6

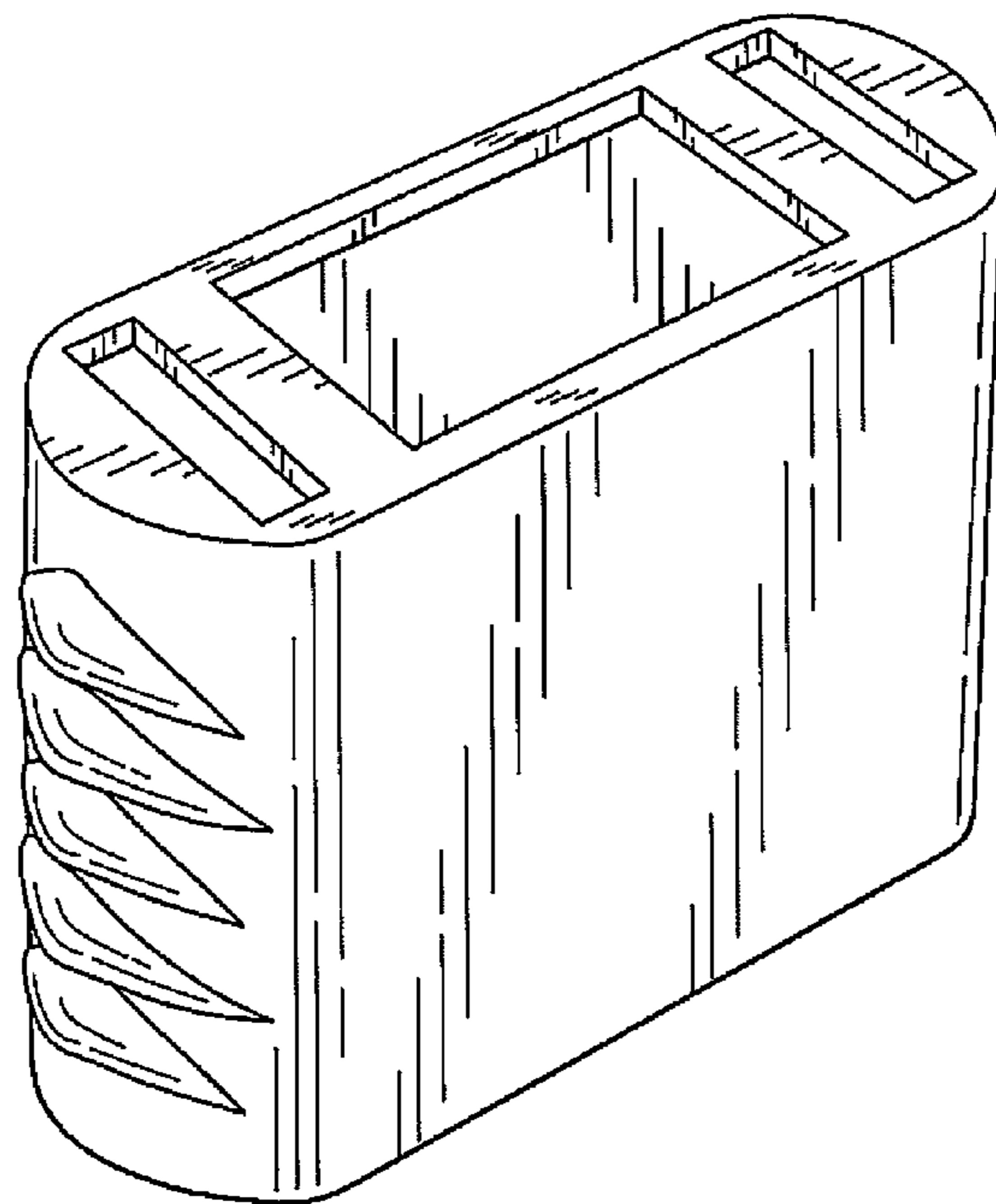
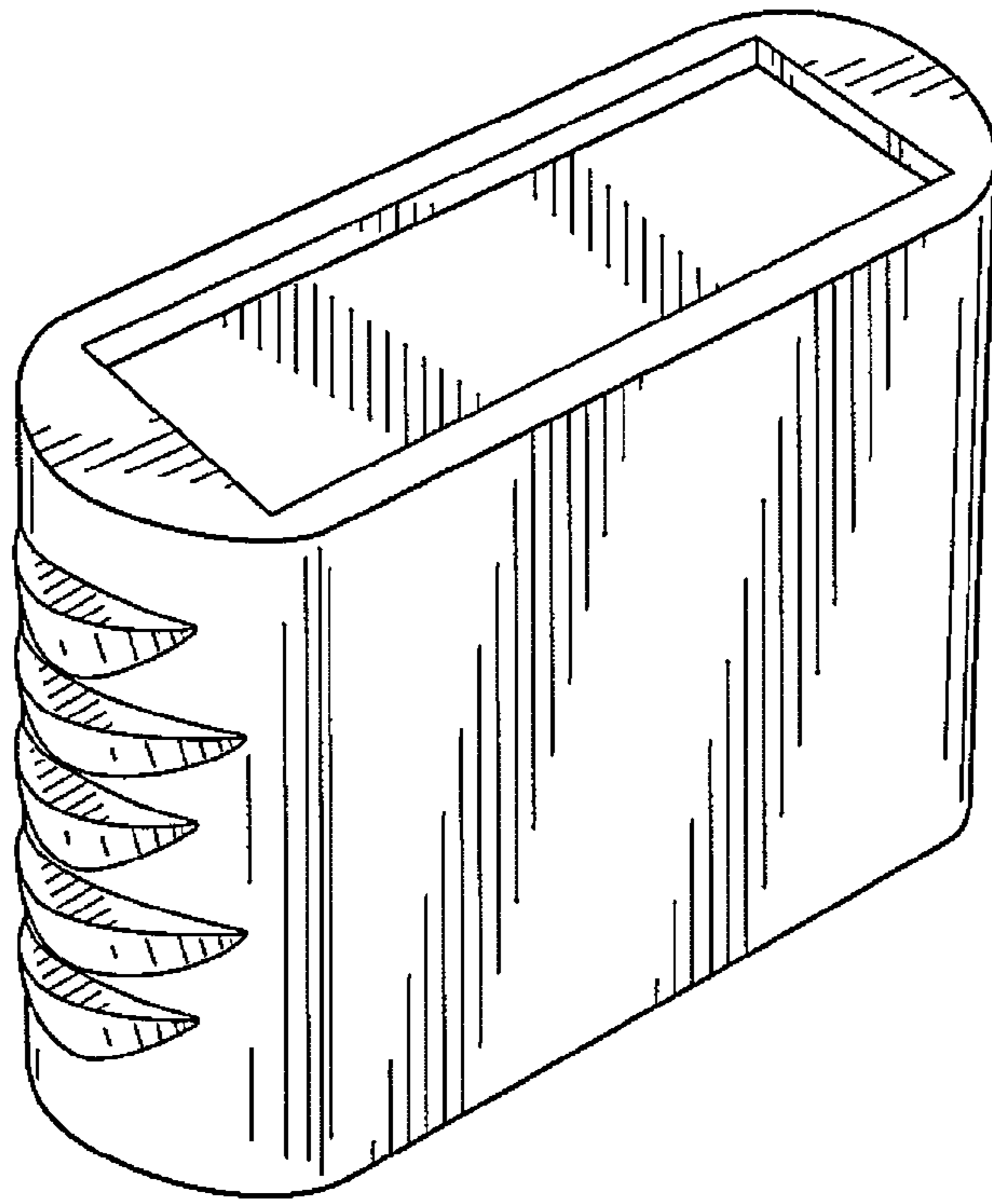


FIG. 2



**FIG. 8**