



US00D673069S

(12) **United States Design Patent**  
**Monachon**

(10) **Patent No.:** **US D673,069 S**

(45) **Date of Patent:** **\*\* Dec. 25, 2012**

(54) **WATCH CASE BOTTOM**

(75) **Inventor:** **Jean-Claude Monachon, Bevaix (CH)**

(73) **Assignee:** **Omega SA (Omega AG) (Omega Ltd.),  
Biel/Bienne (CH)**

(\*\*) **Term:** **14 Years**

(21) **Appl. No.:** **29/424,383**

(22) **Filed:** **Jun. 12, 2012**

(30) **Foreign Application Priority Data**

Feb. 2, 2012 (WO) ..... DM/077 618

(51) **LOC (9) Cl.** ..... **10-07**

(52) **U.S. Cl.** ..... **D10/128**

(58) **Field of Classification Search** ..... D10/30-39,  
D10/128; 368/276, 281, 282, 309  
See application file for complete search history.

(56) **References Cited**

**U.S. PATENT DOCUMENTS**

D35,740 S *	2/1902	Depollier	.....	D10/37
D51,239 S *	9/1917	Purver	.....	D10/128
3,293,846 A *	12/1966	Pauli	.....	368/10
D325,353 S *	4/1992	Meyer	.....	D10/39
D338,161 S *	8/1993	Kizaki	.....	D10/39
D431,202 S *	9/2000	Luscher	.....	D10/128
D477,236 S *	7/2003	Robert-Tissot	.....	D10/39
D504,624 S *	5/2005	Bodino	.....	D10/39

D508,416 S *	8/2005	Tang	.....	D10/30
D520,384 S *	5/2006	Scheufele	.....	D10/39
D529,825 S *	10/2006	Perrenoud	.....	D10/38
D533,090 S *	12/2006	Bajulaz	.....	D10/39
D555,515 S *	11/2007	Krieger	.....	D10/31
D585,307 S *	1/2009	Modolo	.....	D10/32
D596,050 S *	7/2009	Monachon	.....	D10/32
D614,512 S *	4/2010	Monachon	.....	D10/32
D615,879 S *	5/2010	Monachon	.....	D10/32
D618,565 S *	6/2010	Dolce et al.	.....	D10/38

\* cited by examiner

*Primary Examiner* — Lucy Lieberman

(74) *Attorney, Agent, or Firm* — Donald J. Ranft; Collen IP

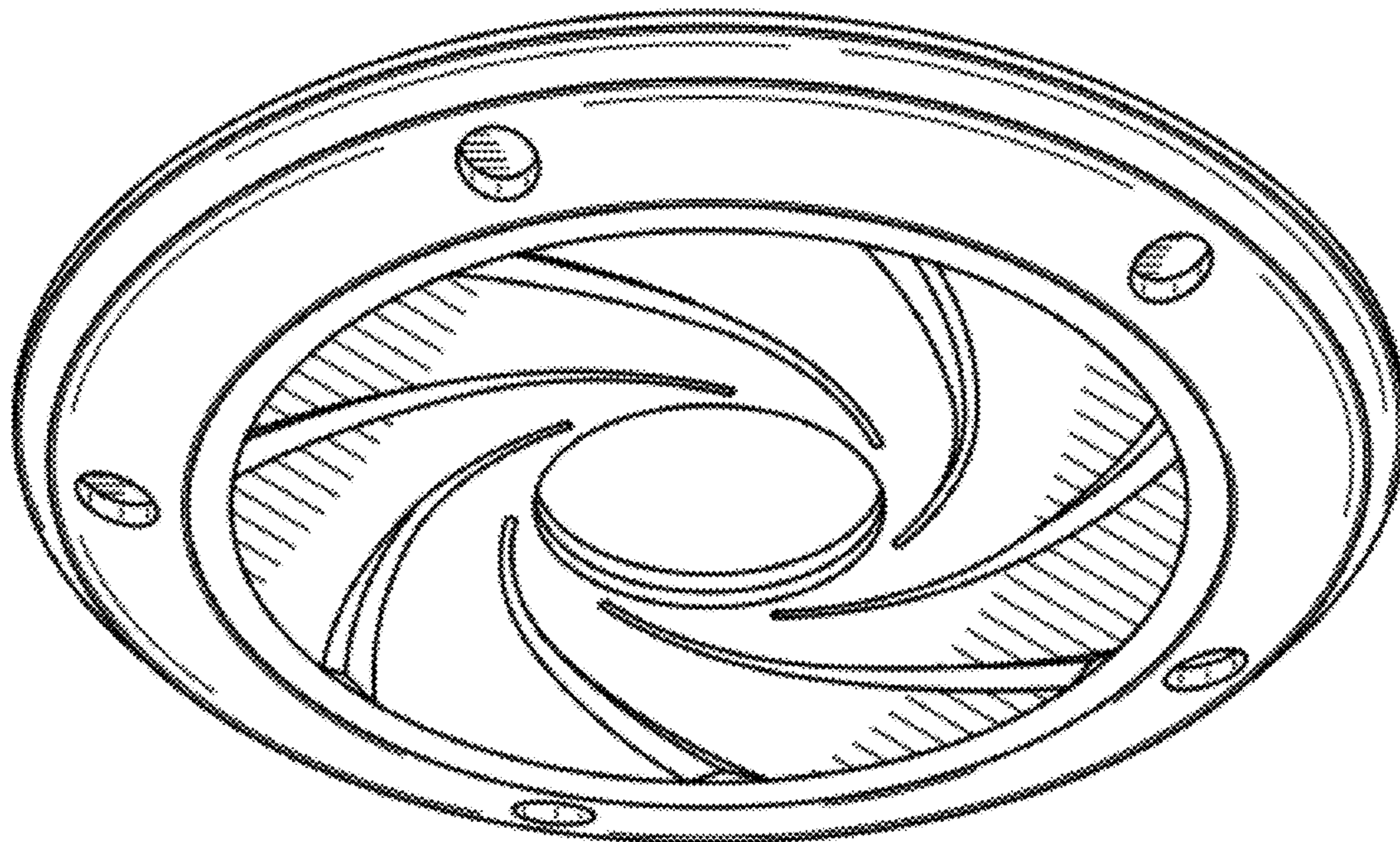
(57) **CLAIM**

The ornamental design for a watch case bottom, as shown and described.

**DESCRIPTION**

FIG. 1 is a rear perspective view of a watch case bottom showing our new design;  
 FIG. 2 is rear perspective view thereof;  
 FIG. 3 is a front perspective view thereof;  
 FIG. 4 is a front perspective view thereof;  
 FIG. 5 is a front view thereof;  
 FIG. 6 is a rear view thereof;  
 FIG. 7 is a left side view thereof;  
 FIG. 8 is a right side view thereof;  
 FIG. 9 is a top view thereof; and,  
 FIG. 10 is a bottom view thereof.

**1 Claim, 5 Drawing Sheets**



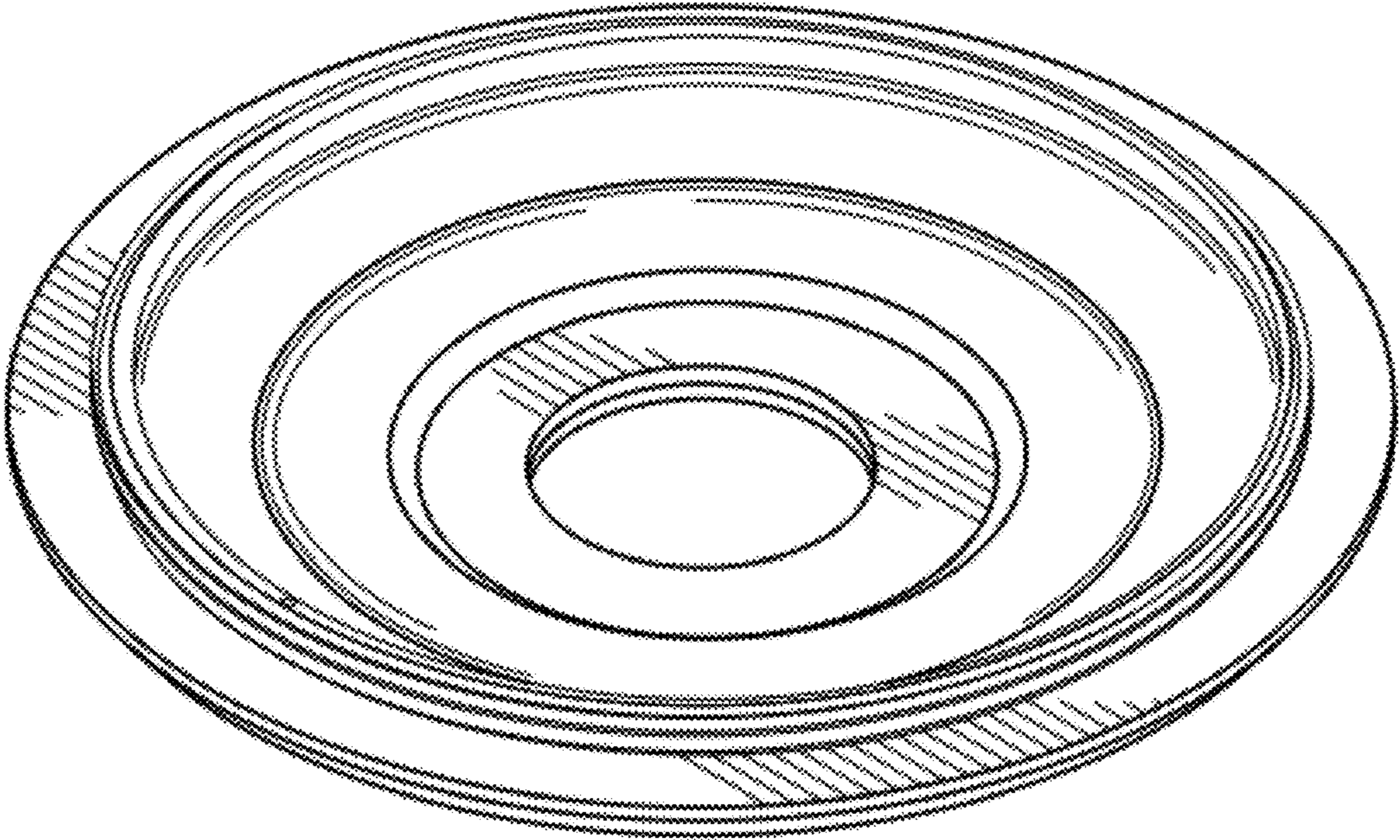


FIG. 1

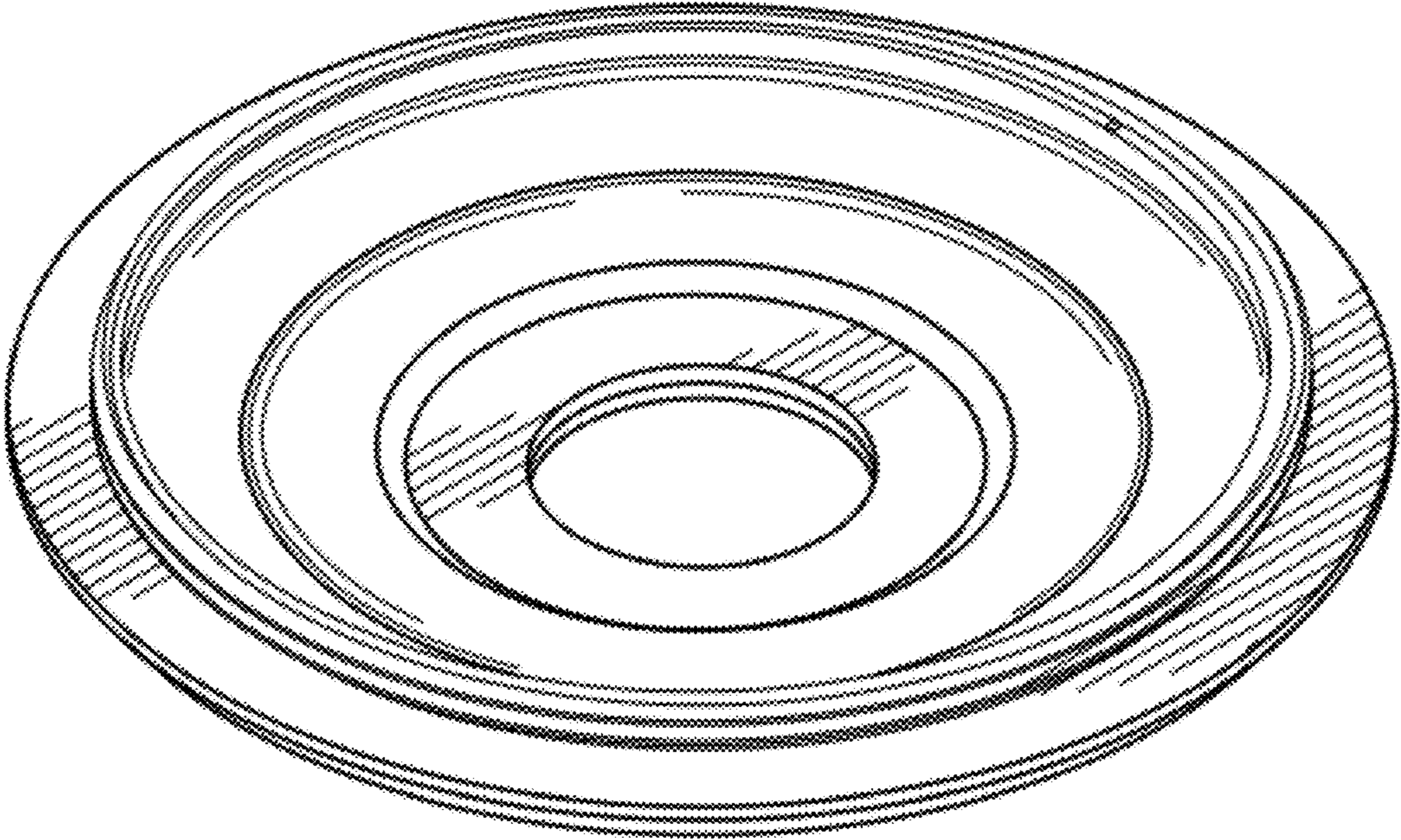


FIG. 2

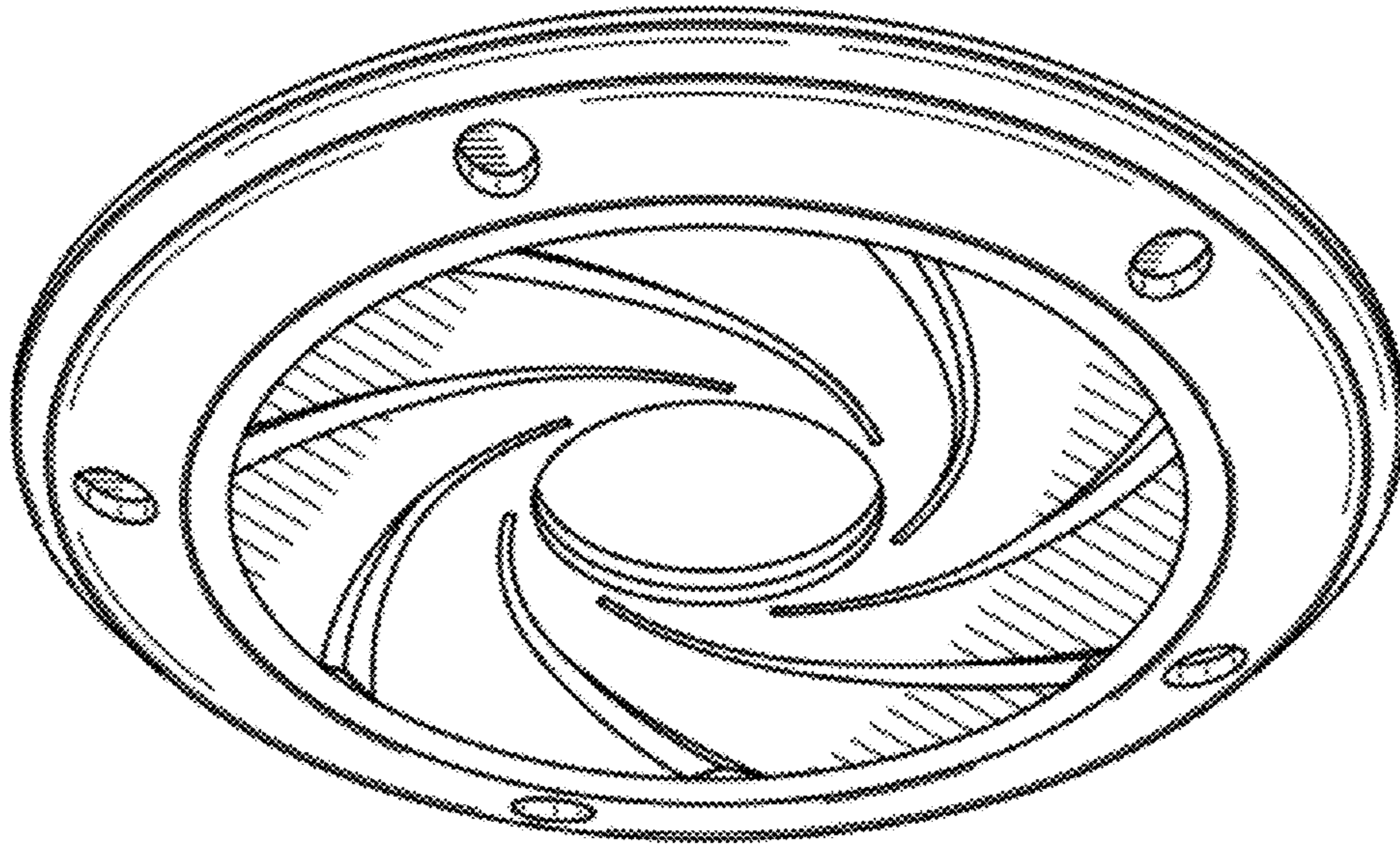


FIG. 3

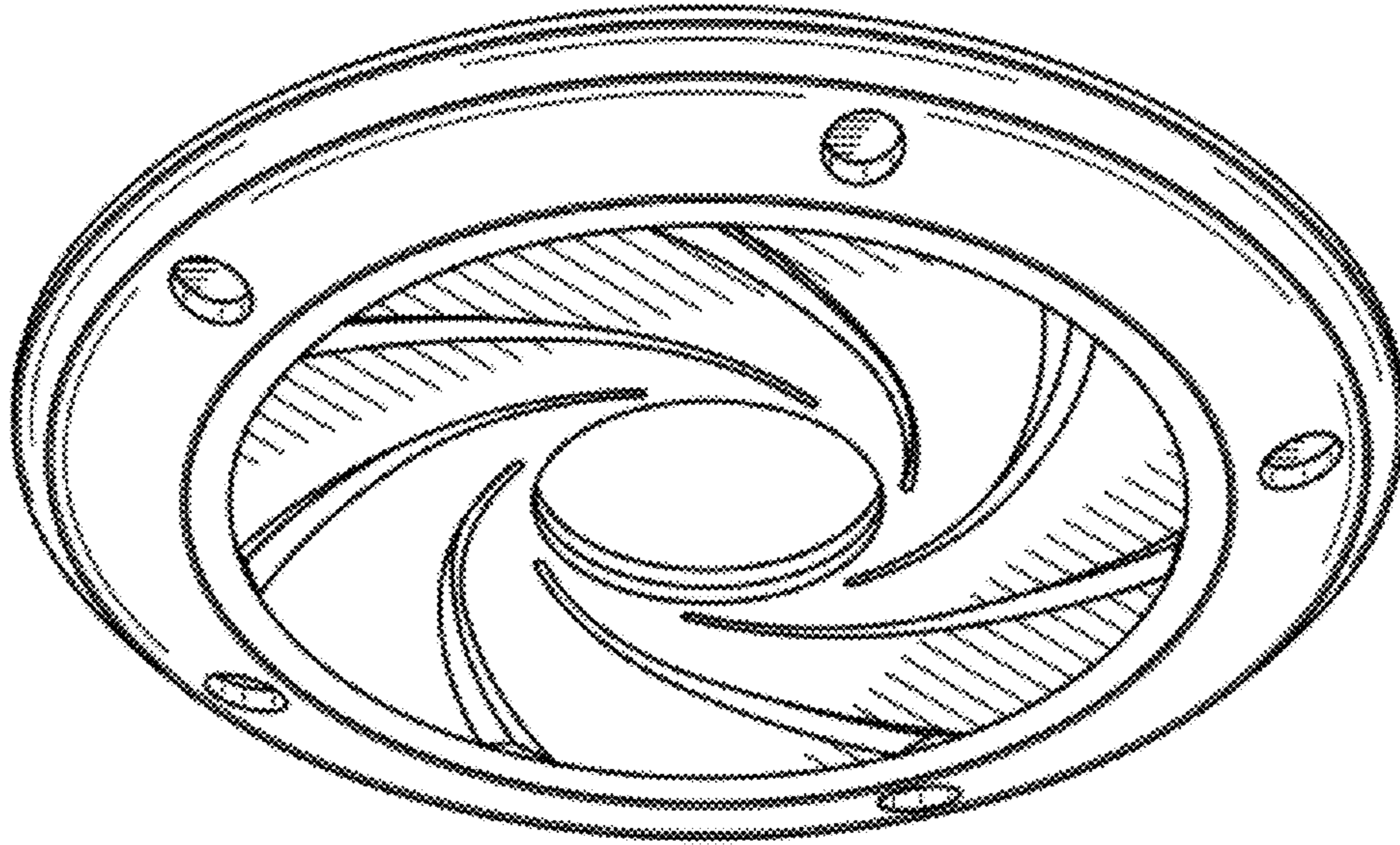


FIG. 4

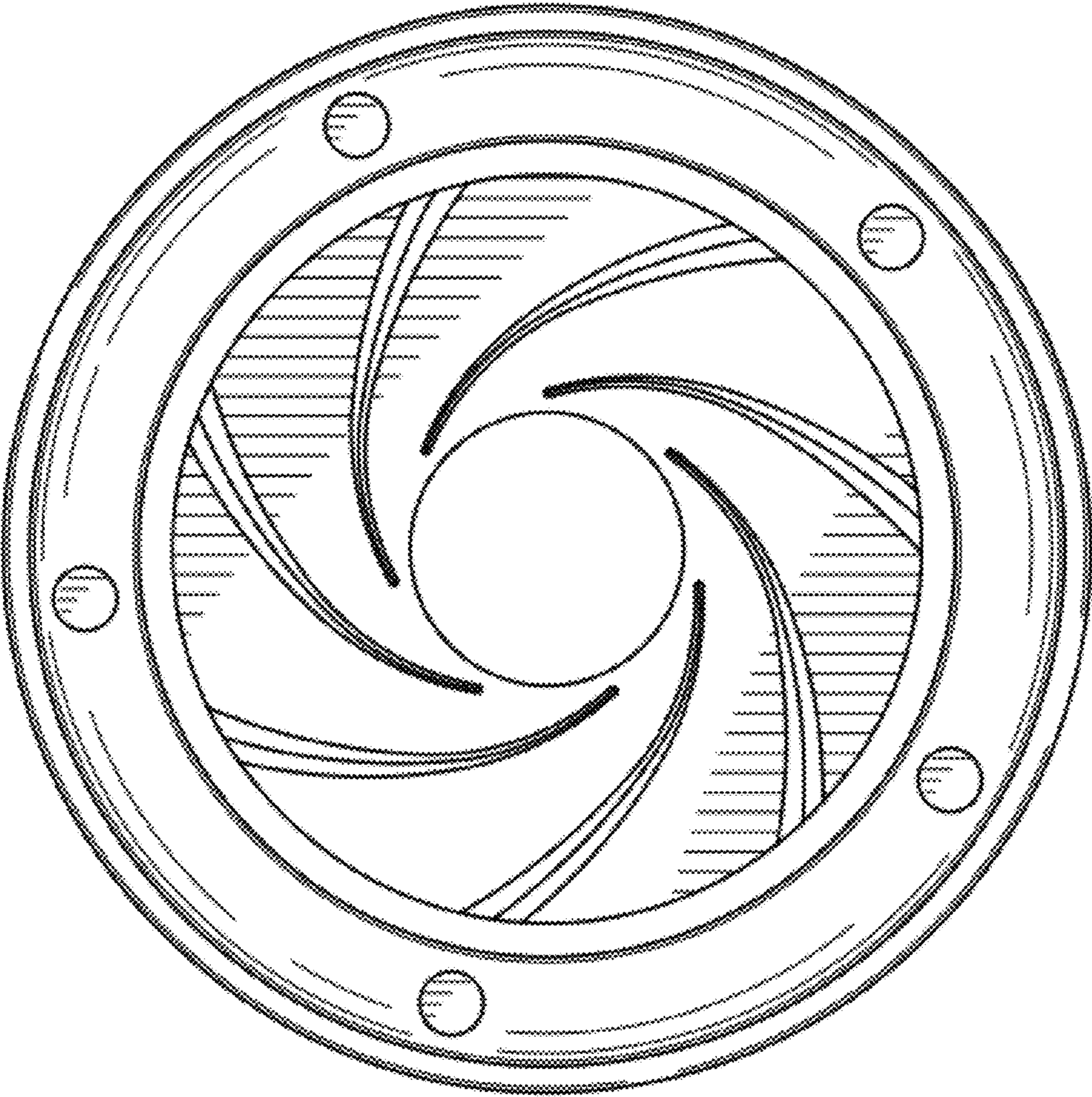


FIG. 5

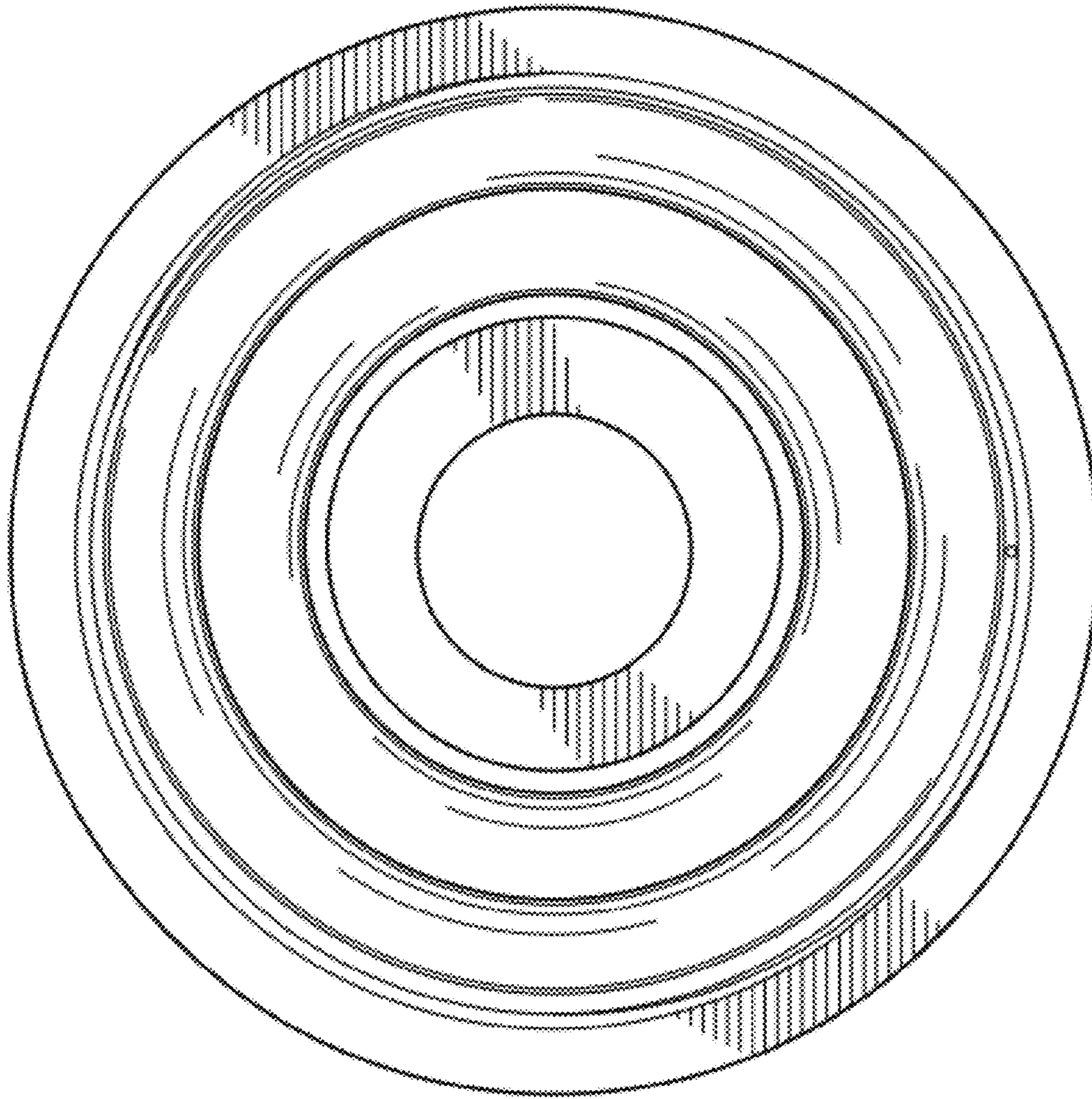


FIG. 6

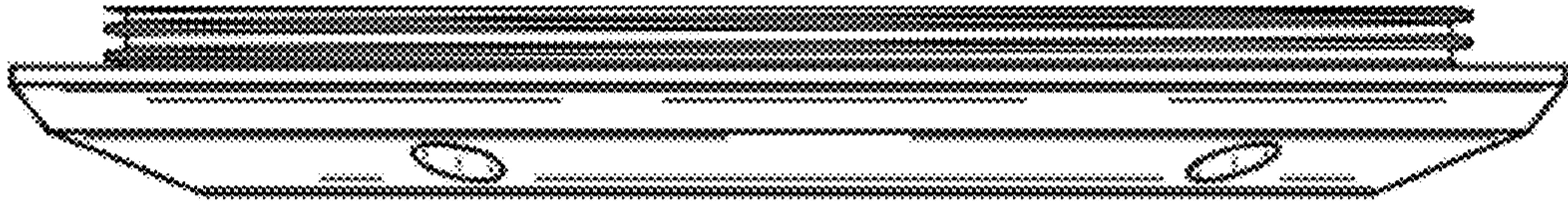


FIG. 7

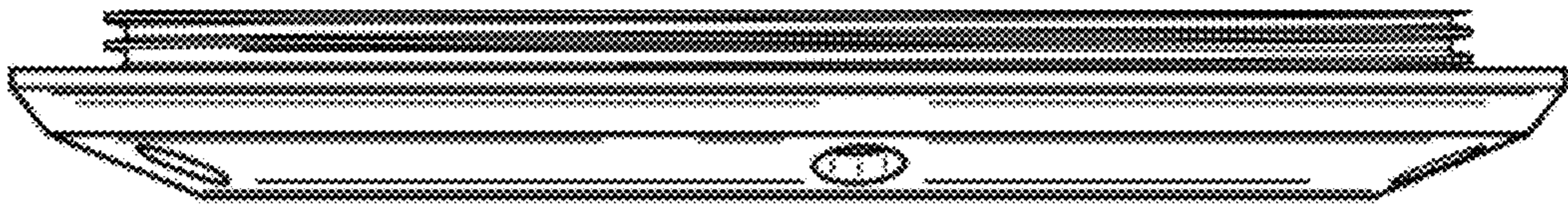


FIG. 8

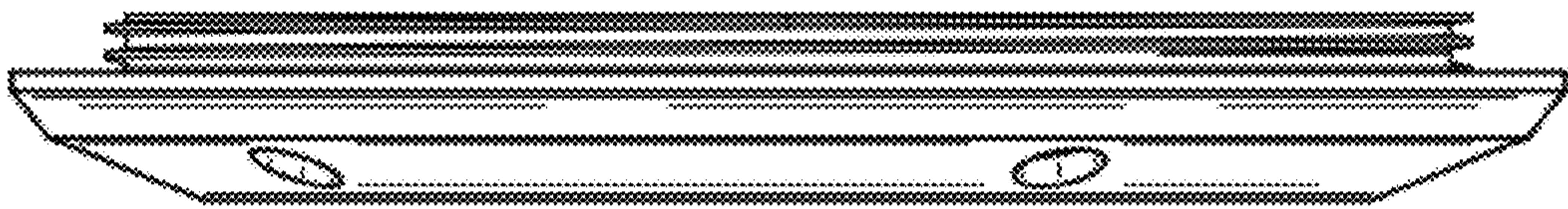


FIG. 9



FIG. 10