



US00D673066S

(12) **United States Design Patent**
Pedersen

(10) **Patent No.:** **US D673,066 S**

(45) **Date of Patent:** **** Dec. 25, 2012**

(54) **MEASURING DEVICE FOR MEASURING
FUR SIZES**

(75) **Inventor:** **Rudi Pedersen, Herning (DK)**

(73) **Assignee:** **Dansk Mink Papir A/S, Holstebro (DK)**

(**) **Term:** **14 Years**

(21) **Appl. No.:** **29/393,103**

(22) **Filed:** **May 31, 2011**

(30) **Foreign Application Priority Data**

Nov. 30, 2010 (DK) DA 2010 00170

(51) **LOC (9) Cl.** **10-04**

(52) **U.S. Cl.** **D10/90; D10/71**

(58) **Field of Classification Search** D10/46,
D10/71, 90; 33/483-494; 177/190-200,
177/238-252

See application file for complete search history.

(56) **References Cited**

U.S. PATENT DOCUMENTS

D374,404 S *	10/1996	Kidd	D10/71
D399,440 S *	10/1998	Taylor	D10/71
D596,057 S *	7/2009	Byrum	D10/71
D611,375 S *	3/2010	Lin	D10/90
D616,318 S *	5/2010	Yeh	D10/71

* cited by examiner

Primary Examiner — Antoine D Davis

(74) *Attorney, Agent, or Firm* — Roberts Mlotkowski Safran & Cole, P.C.; David S. Safran

(57) **CLAIM**

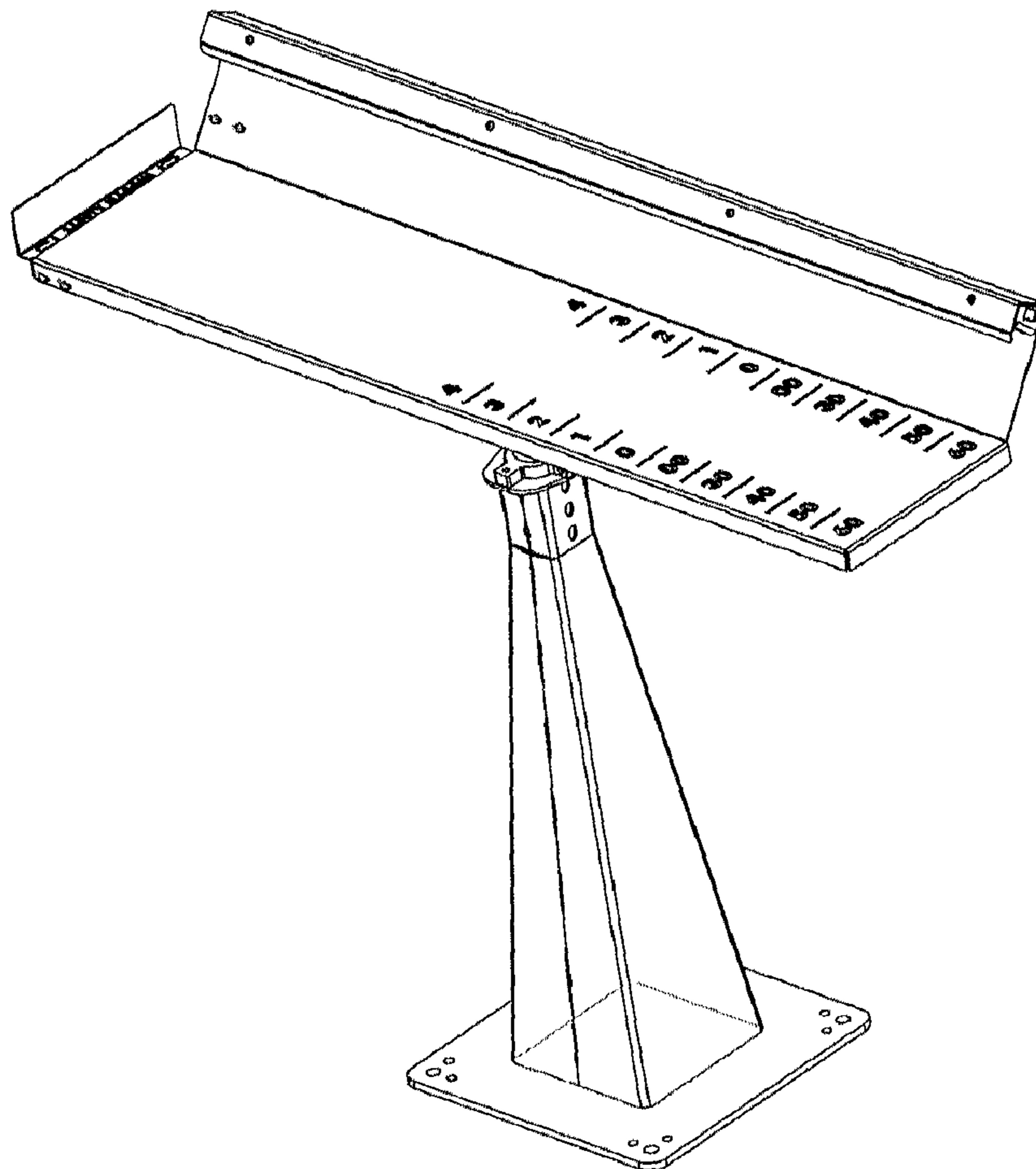
The ornamental design for a measuring device for measuring fur sizes, as shown in the accompanying drawings.

DESCRIPTION

FIG. 1 is a perspective view of my design as seen looking down at the top of the device toward the right front corner; and,

FIG. 2 is a perspective view of my design as seen looking toward upward the rear left corner of the device.

1 Claim, 2 Drawing Sheets



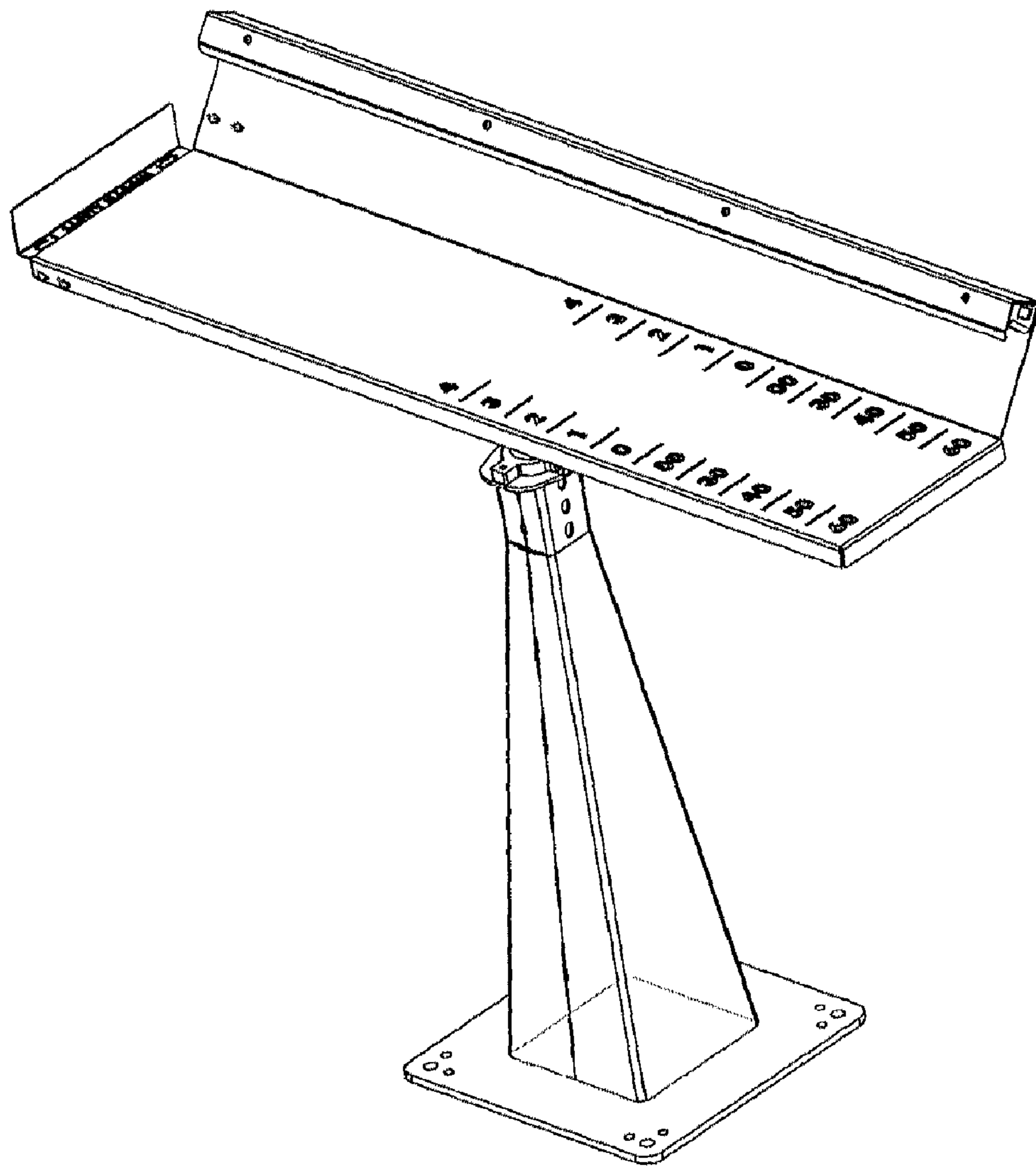


FIG. 1

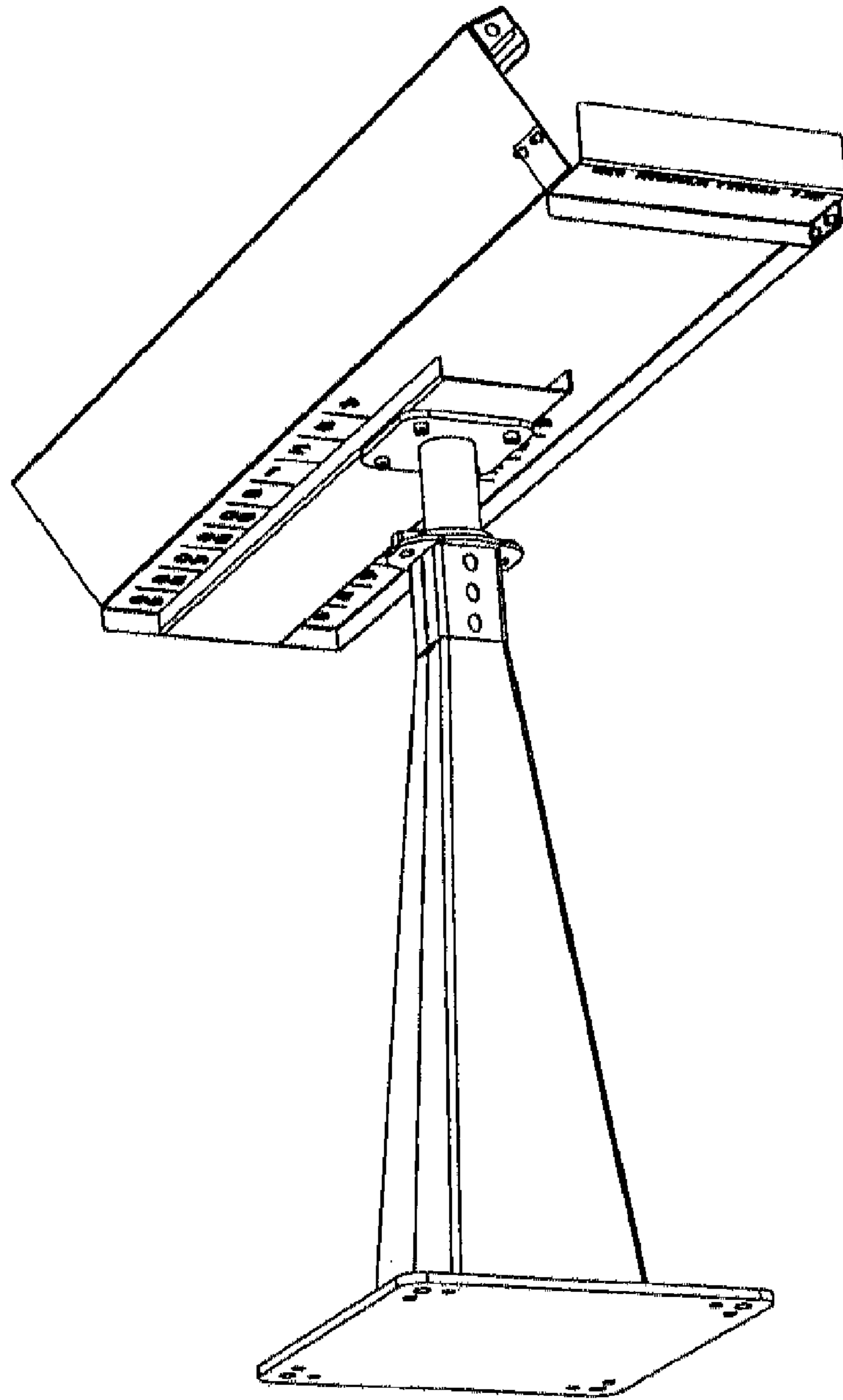


FIG. 2