



US00D673062S

(12) **United States Design Patent**  
**Marzynski**

(10) **Patent No.:** **US D673,062 S**  
(45) **Date of Patent:** **\*\* Dec. 25, 2012**

(54) **LASER DISTANCE METER**

**DESCRIPTION**

(75) Inventor: **Matthew B. Marzynski**, Seattle, WA (US)  
(73) Assignee: **Fluke Corporation**, Everett, WA (US)  
(\*\*) Term: **14 Years**  
(21) Appl. No.: **29/422,388**  
(22) Filed: **May 18, 2012**  
(51) **LOC (9) Cl.** ..... **10-04**  
(52) **U.S. Cl.** ..... **D10/70; D10/78**  
(58) **Field of Classification Search** ..... D10/78, D10/70; 324/72.5, 556, 133, 149, 503, 543, 324/555, 66, 72, 754, 115, 141; 340/635, 340/687; 73/597, 615, 624, 627, 644; 356/3.01-5.15

See application file for complete search history.

(56) **References Cited**

**U.S. PATENT DOCUMENTS**

6,324,888	B1 *	12/2001	Schmidt et al.	73/1.79
7,075,626	B2 *	7/2006	Schmidt et al.	356/5.09
D538,690	S *	3/2007	Baumgaertner	D10/70
D539,680	S *	4/2007	Liu et al.	D10/70
7,221,435	B2 *	5/2007	Stierle et al.	356/4.01
D576,895	S *	9/2008	Burkandt	D10/70
D589,826	S *	4/2009	Kiesel	D10/70
D590,281	S *	4/2009	Kiesel	D10/70
D594,359	S *	6/2009	Aglassinger	D10/70
D594,360	S *	6/2009	Aglassinger	D10/70
D607,352	S *	1/2010	Hackenberg	D10/70
D607,353	S *	1/2010	Hackenberg	D10/70
D636,282	S *	4/2011	Yin et al.	D10/70
8,102,515	B2 *	1/2012	Skultety-Betz et al.	356/4.01
8,111,382	B2 *	2/2012	Wolf et al.	356/4.01
2010/0302527	A1 *	12/2010	Gogolla et al.	356/4.01

\* cited by examiner

*Primary Examiner* — Antoine D Davis  
(74) *Attorney, Agent, or Firm* — Perkins Coie LLP

(57) **CLAIM**

The ornamental design for a laser distance meter, as shown.

FIG. 1 is a perspective view of a laser distance meter.  
FIG. 2 is a front plan view thereof.  
FIG. 3 is a back plan view thereof.  
FIG. 4 is a top view thereof.  
FIG. 5 is a bottom view thereof.  
FIG. 6 is a left view thereof.  
FIG. 7 is a right view thereof.  
FIG. 8 is a top front perspective view thereof.  
FIG. 9 is a bottom back perspective view thereof.  
FIG. 10 is a perspective view of a second embodiment of a laser distance meter.  
FIG. 11 is a front plan view thereof.  
FIG. 12 is a back plan view thereof.  
FIG. 13 is a top view thereof.  
FIG. 14 is a bottom view thereof.  
FIG. 15 is a left view thereof.  
FIG. 16 is a right view thereof.  
FIG. 17 is a top front perspective view thereof.  
FIG. 18 is a bottom back perspective view thereof.  
FIG. 19 is a perspective view of a third embodiment of a laser distance meter.  
FIG. 20 is a front plan view thereof.  
FIG. 21 is a back plan view thereof.  
FIG. 22 is a top view thereof.  
FIG. 23 is a bottom view thereof.  
FIG. 24 is a left view thereof.  
FIG. 25 is a right view thereof.  
FIG. 26 is a top front perspective view thereof.  
FIG. 27 is a bottom back perspective view thereof.  
FIG. 28 is a perspective view of a fourth embodiment of a laser distance meter.  
FIG. 29 is a front plan view thereof.  
FIG. 30 is a back plan view thereof.  
FIG. 31 is a top view thereof.  
FIG. 32 is a bottom view thereof.  
FIG. 33 is a left view thereof.  
FIG. 34 is a right view thereof.  
FIG. 35 is a bottom back perspective view thereof.  
FIG. 36 is a first partially exploded bottom back perspective view thereof.  
FIG. 37 is a second partially exploded bottom back perspective view thereof.

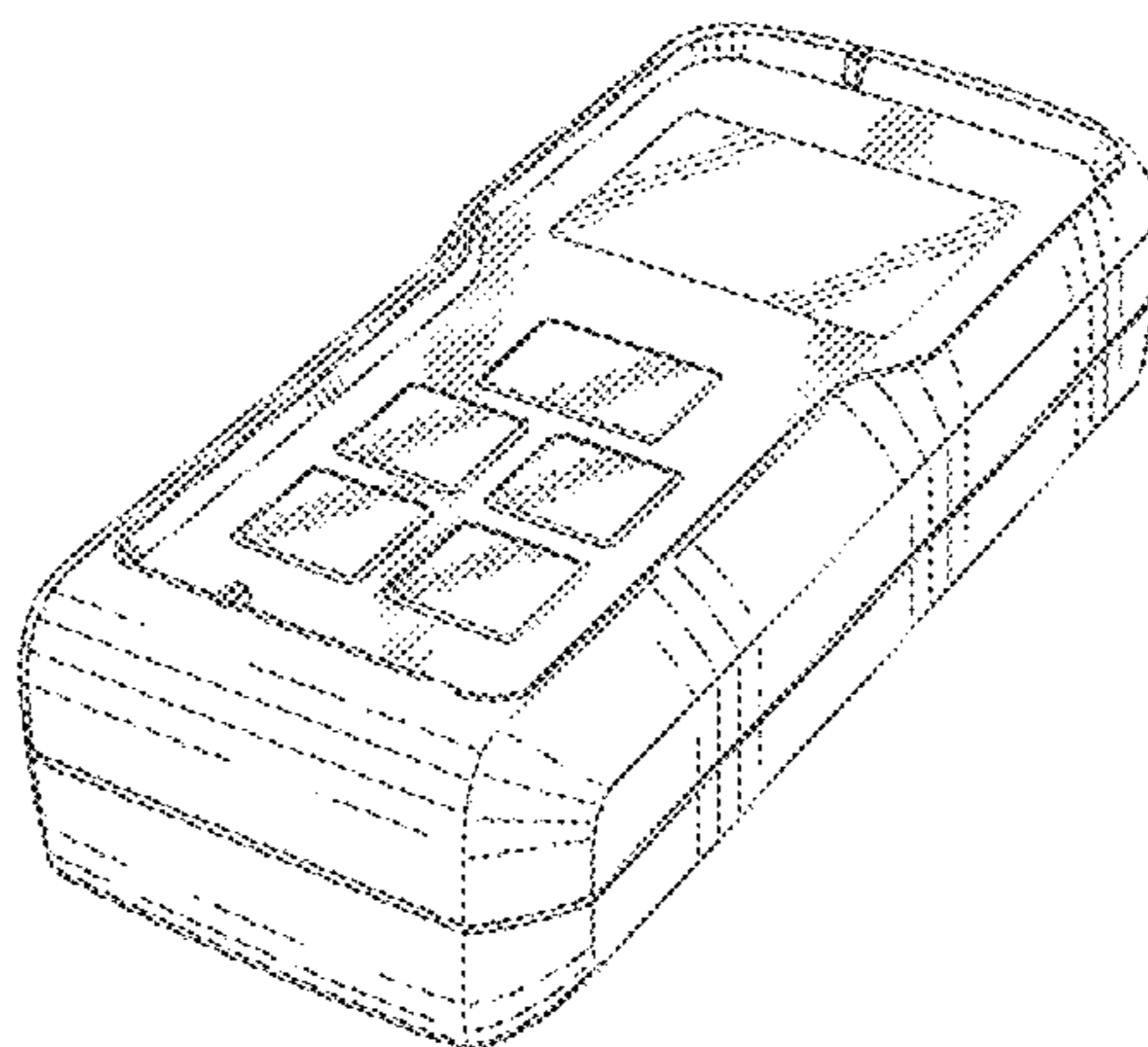


FIG. 38 is a top back perspective view thereof.  
FIG. 39 is a perspective view of a fifth embodiment of a laser distance meter.  
FIG. 40 is a front plan view thereof.  
FIG. 41 is a back plan view thereof.  
FIG. 42 is a top view thereof.  
FIG. 43 is a bottom view thereof.  
FIG. 44 is a left view thereof.  
FIG. 45 is a right view thereof.  
FIG. 46 is a bottom back perspective view thereof.  
FIG. 47 is a first partially exploded bottom back perspective view thereof.  
FIG. 48 is a second partially exploded bottom back perspective view thereof.  
FIG. 49 is a top back perspective view thereof.

FIG. 50 is a perspective view of a sixth embodiment of a laser distance meter.  
FIG. 51 is a front plan view thereof.  
FIG. 52 is a back plan view thereof.  
FIG. 53 is a top view thereof.  
FIG. 54 is a bottom view thereof.  
FIG. 55 is a left view thereof.  
FIG. 56 is a right view thereof.  
FIG. 57 is a bottom back perspective view thereof.  
FIG. 58 is a first partially exploded bottom back perspective view thereof; and,  
FIG. 59 is a second partially exploded bottom back perspective view thereof.  
The broken lines form no part of the claimed design.

**1 Claim, 53 Drawing Sheets**

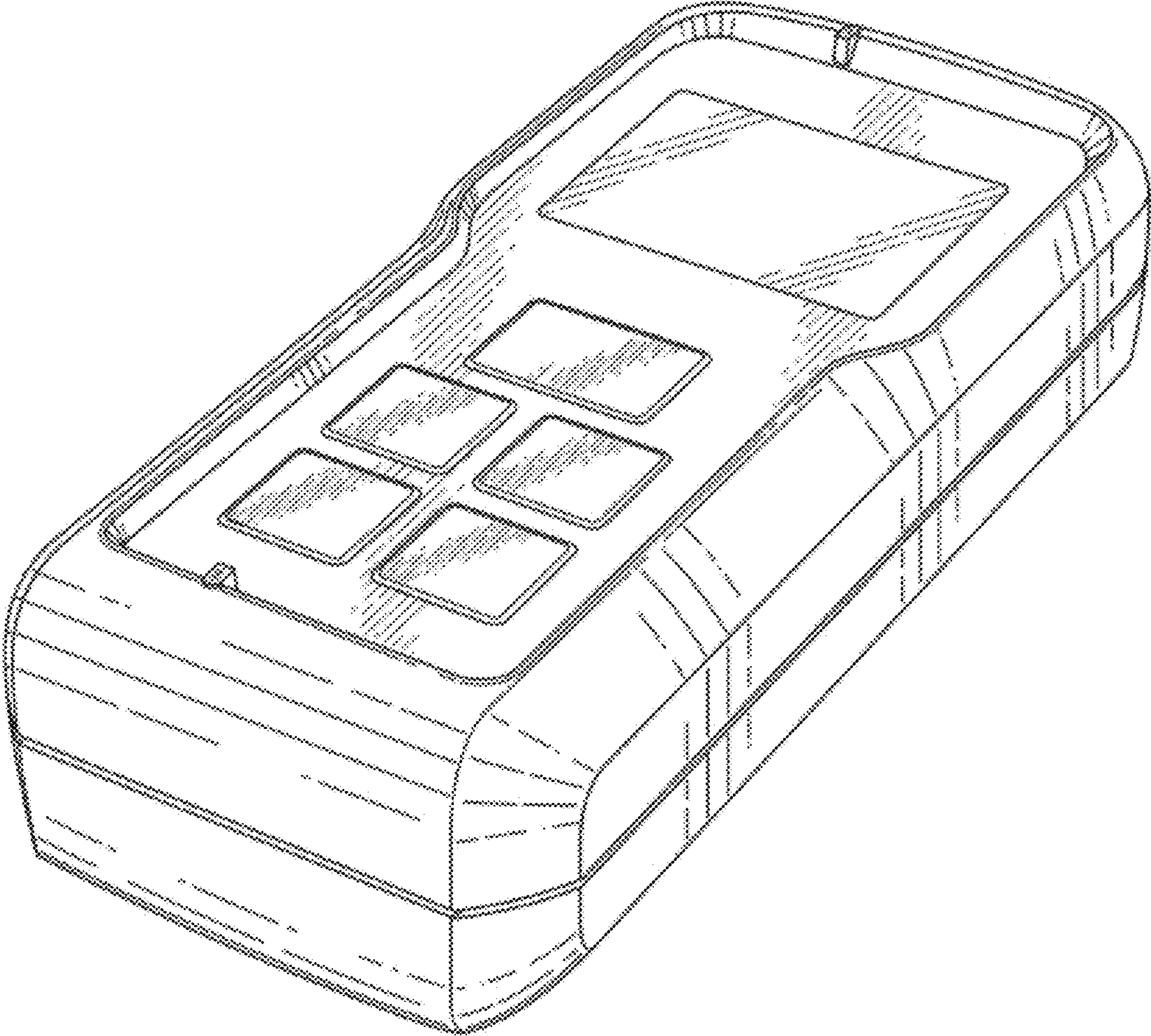


FIG. 1



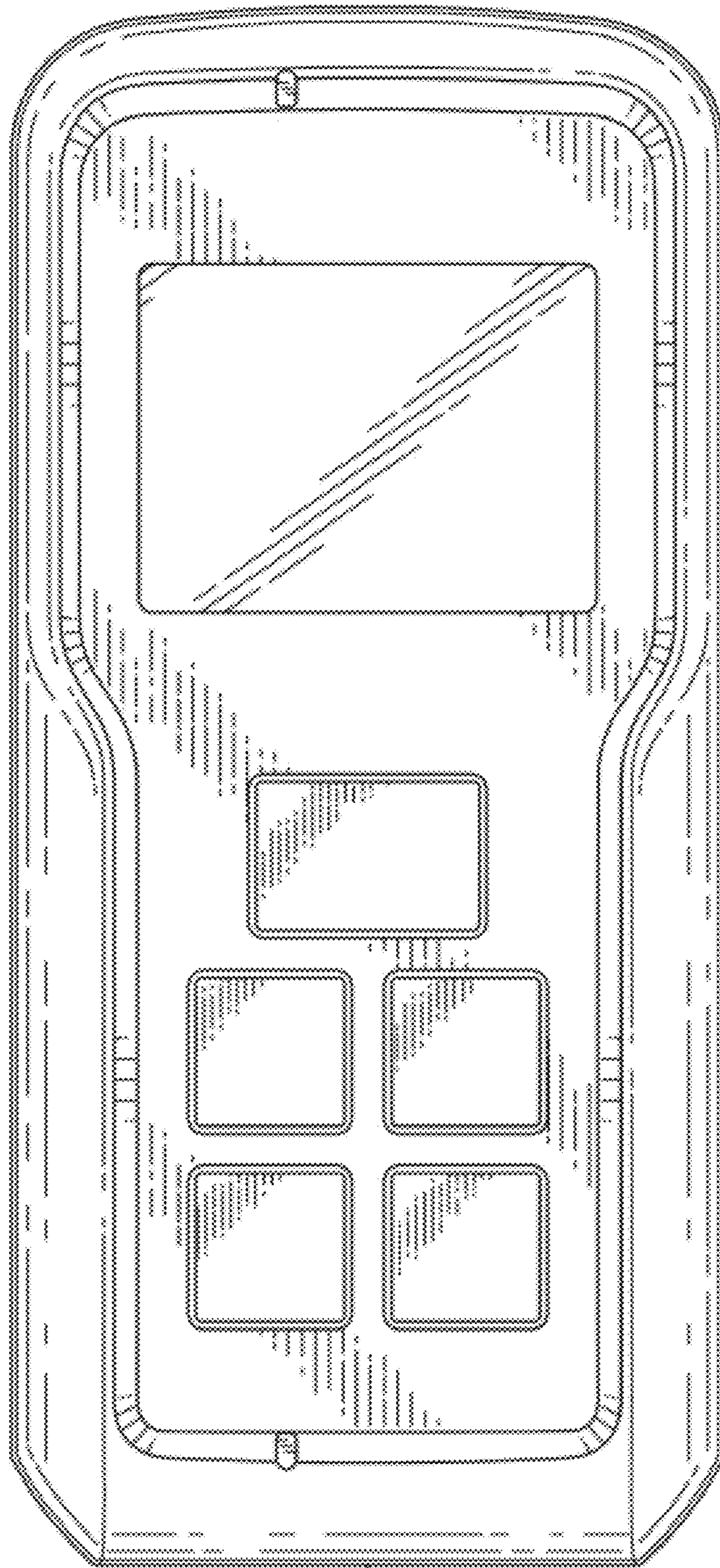


FIG. 2

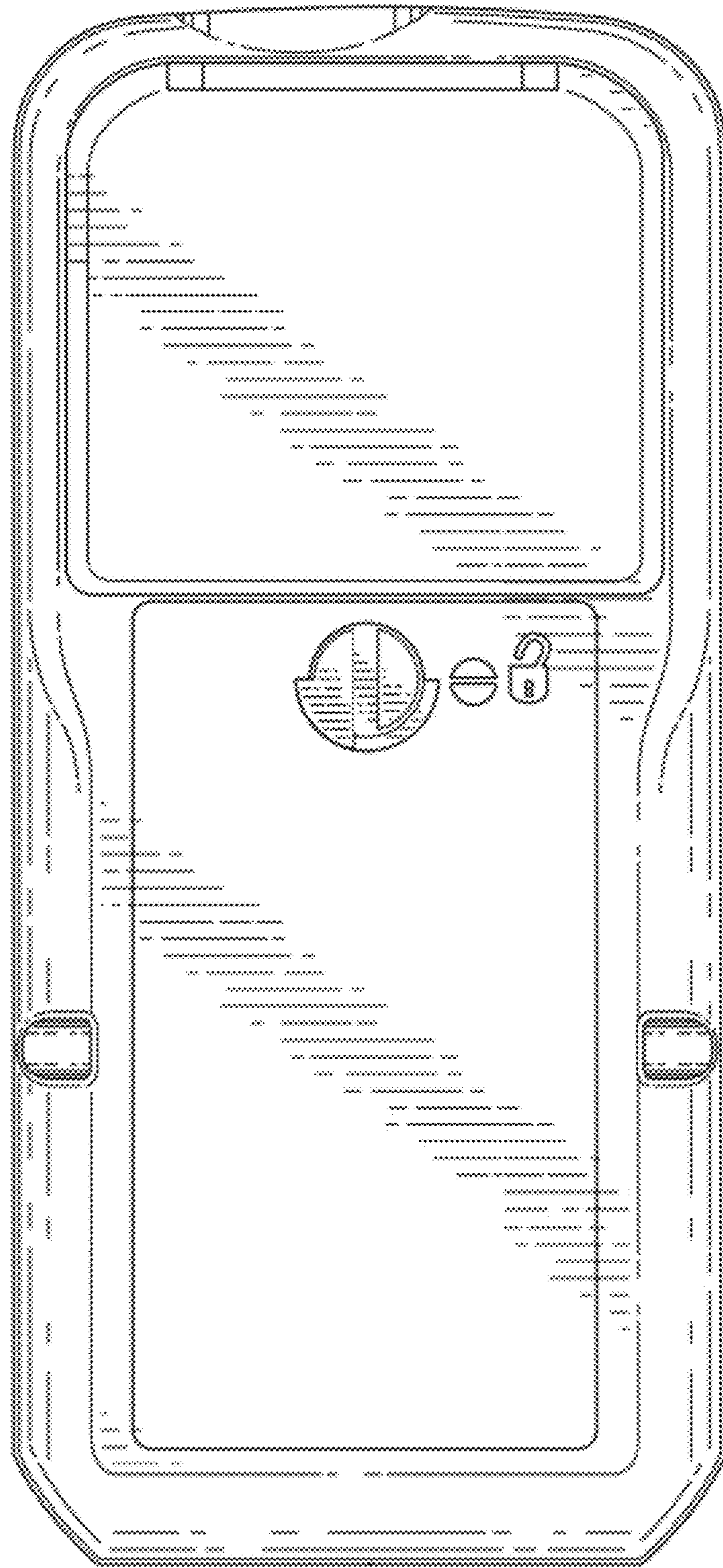


FIG. 3



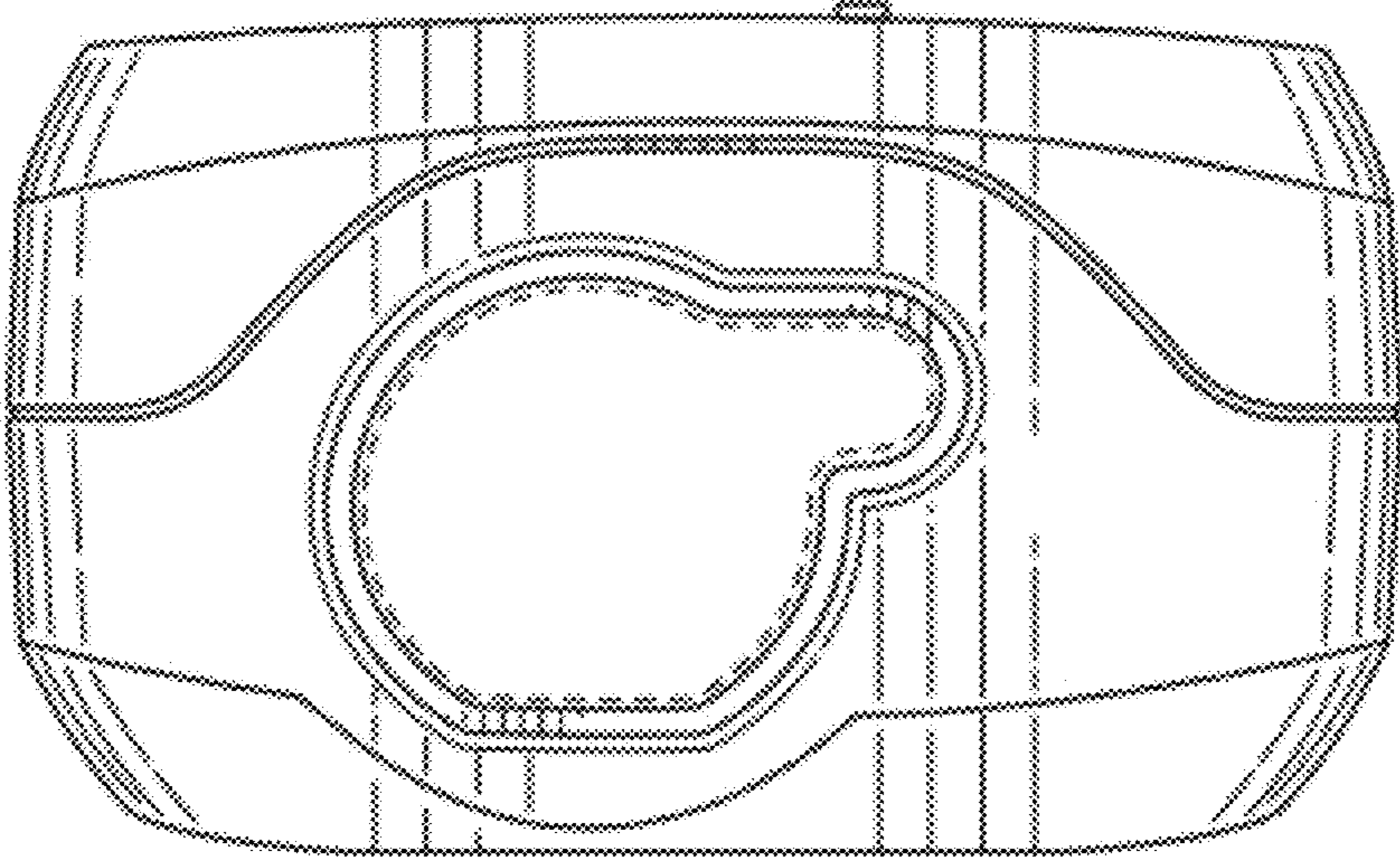


FIG. 4

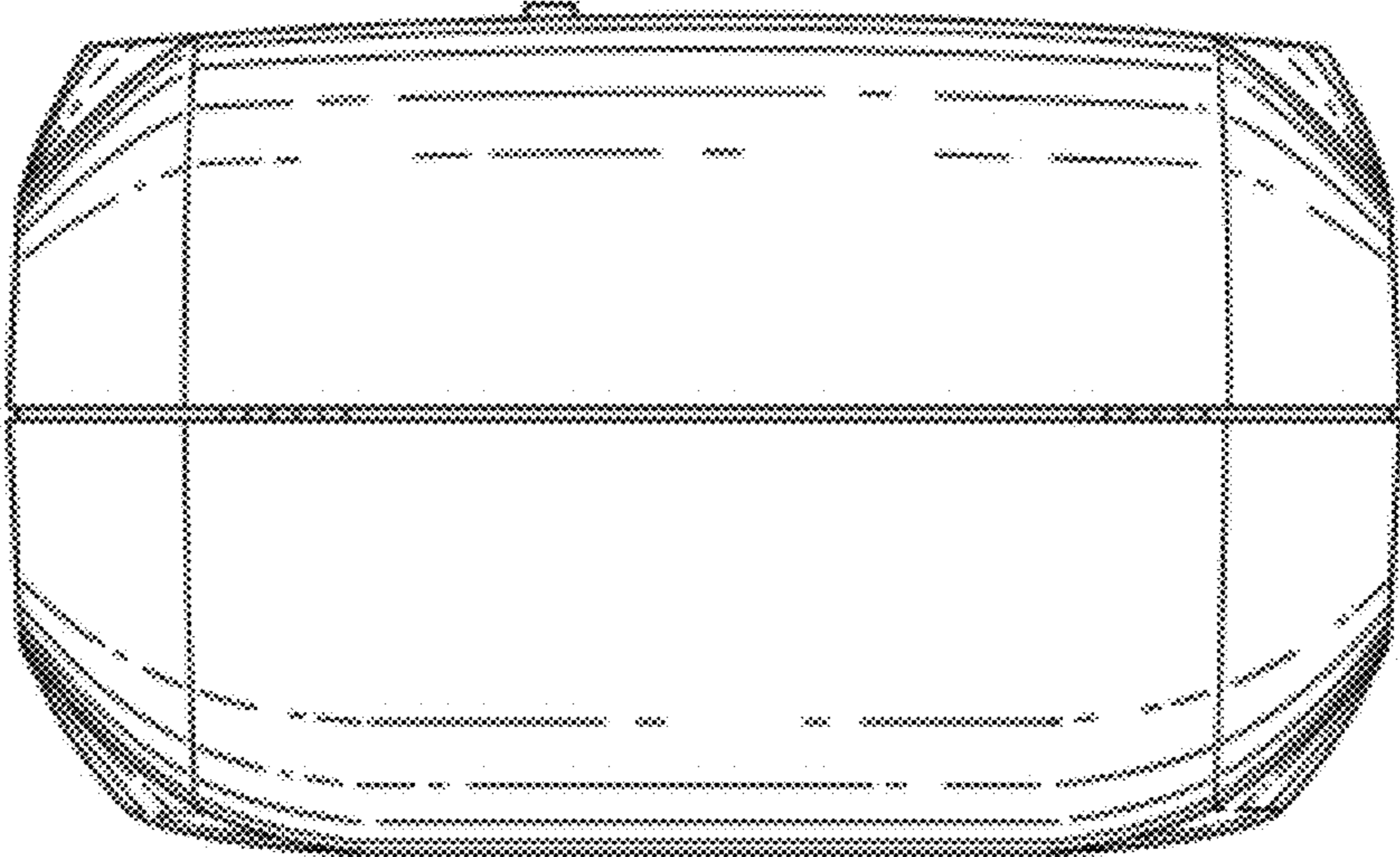


FIG. 5

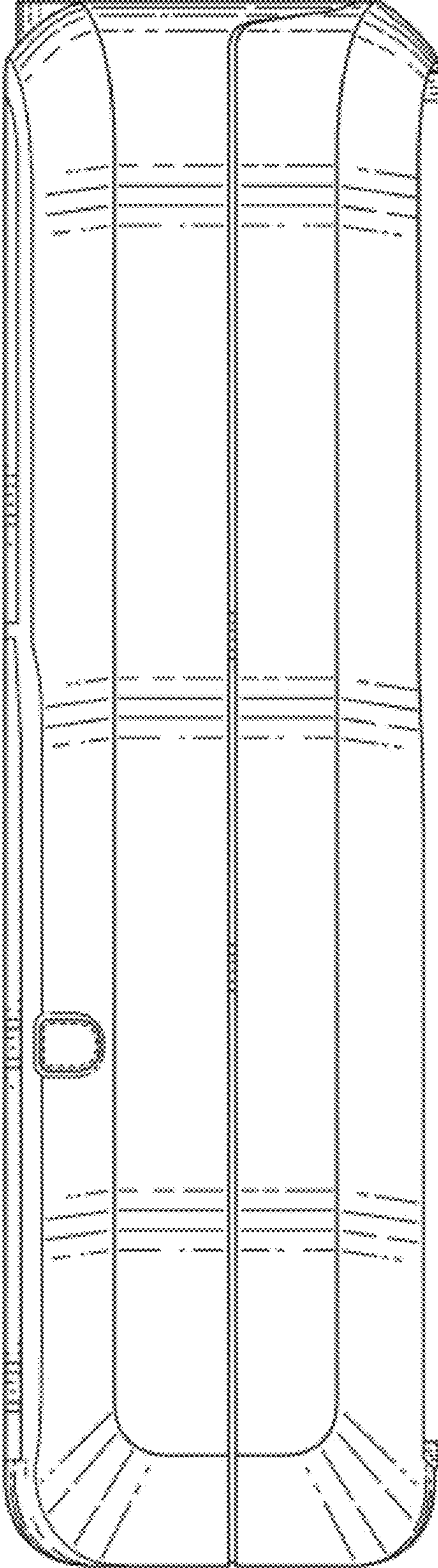


FIG. 6

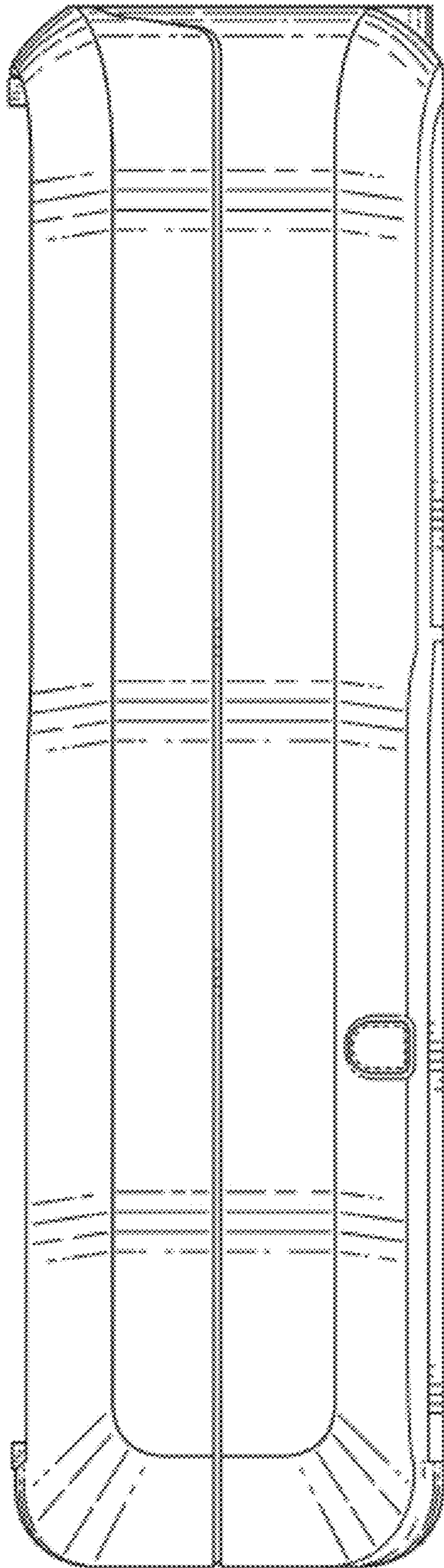


FIG. 7



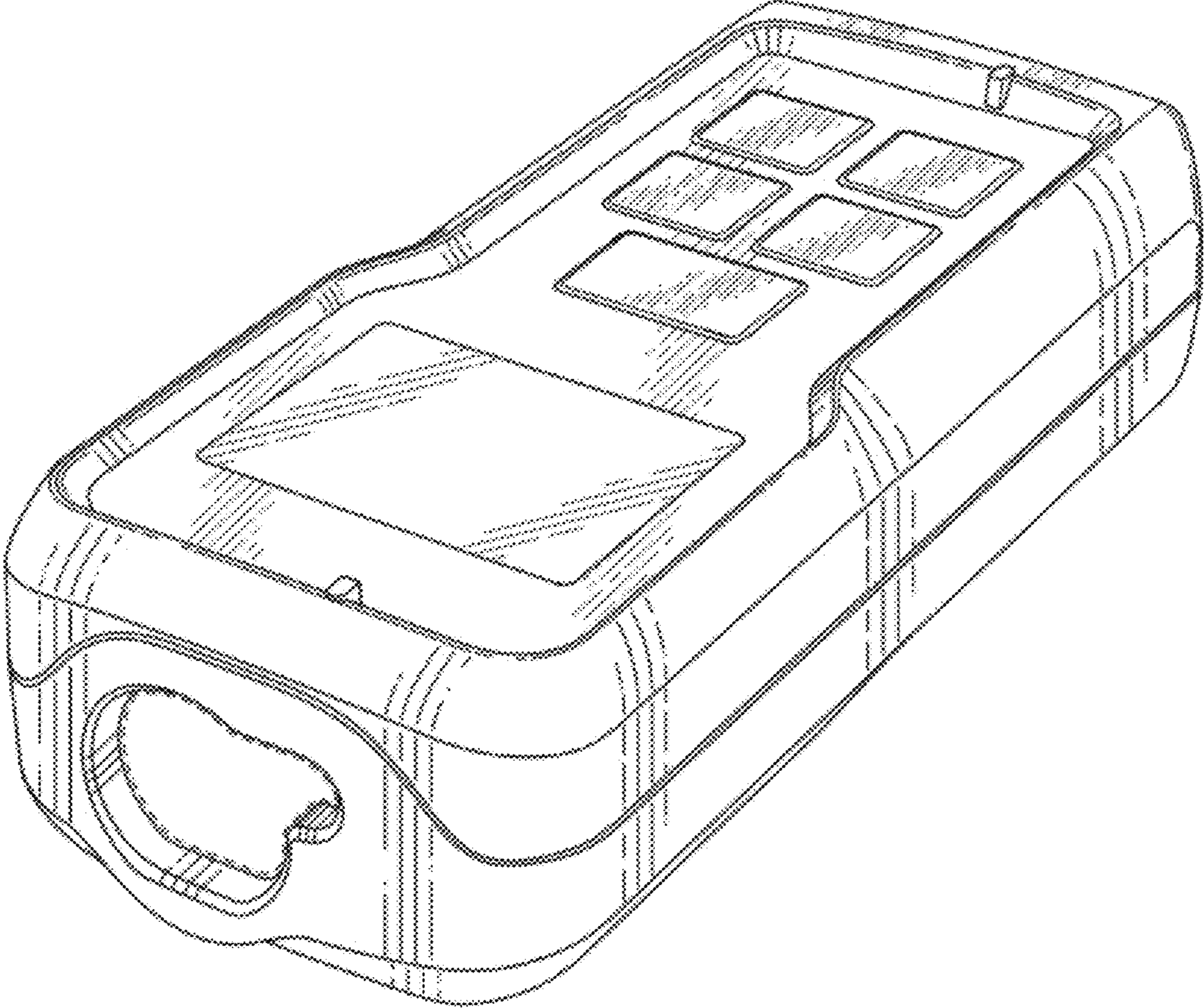


FIG. 8

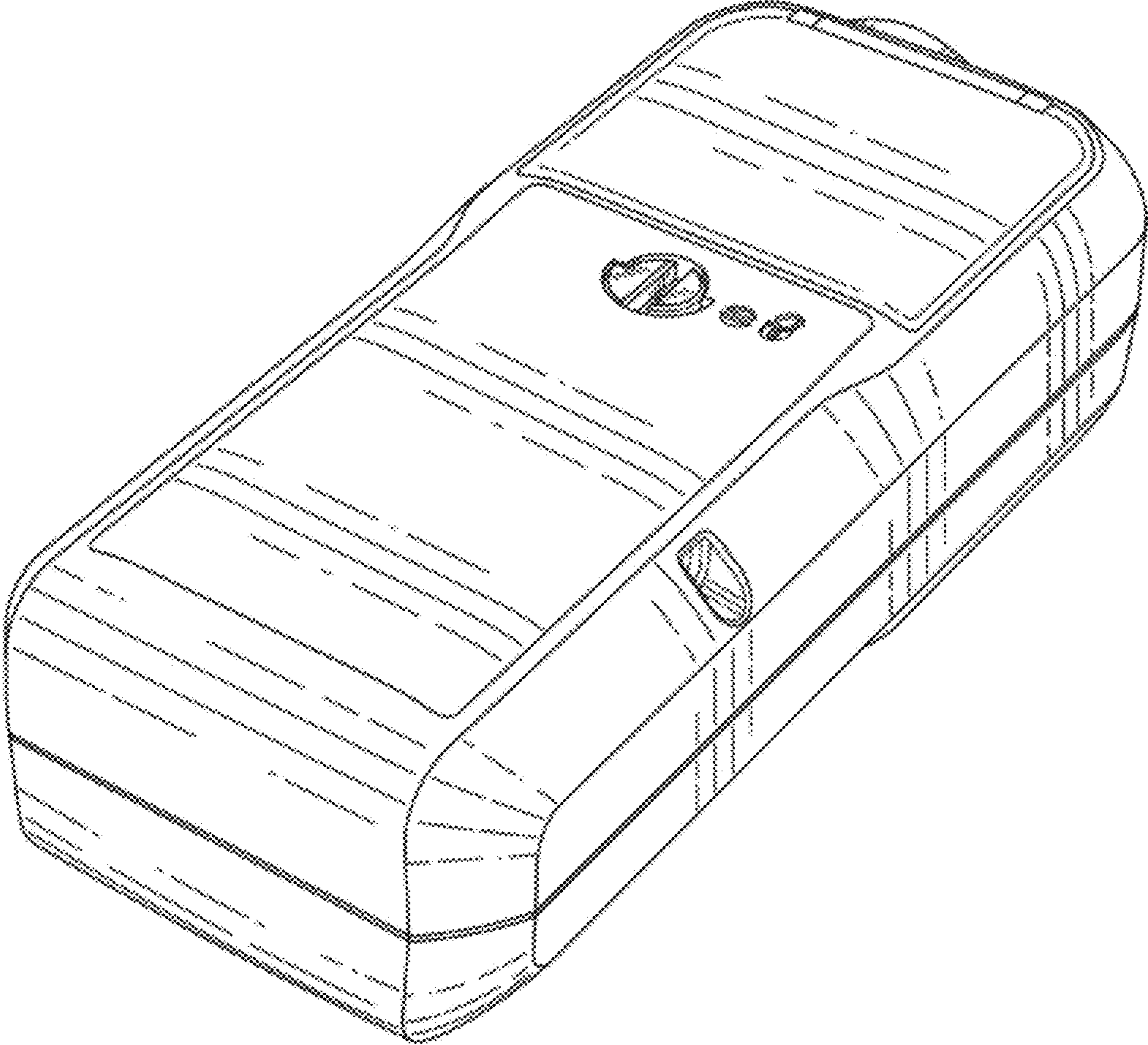


FIG. 9

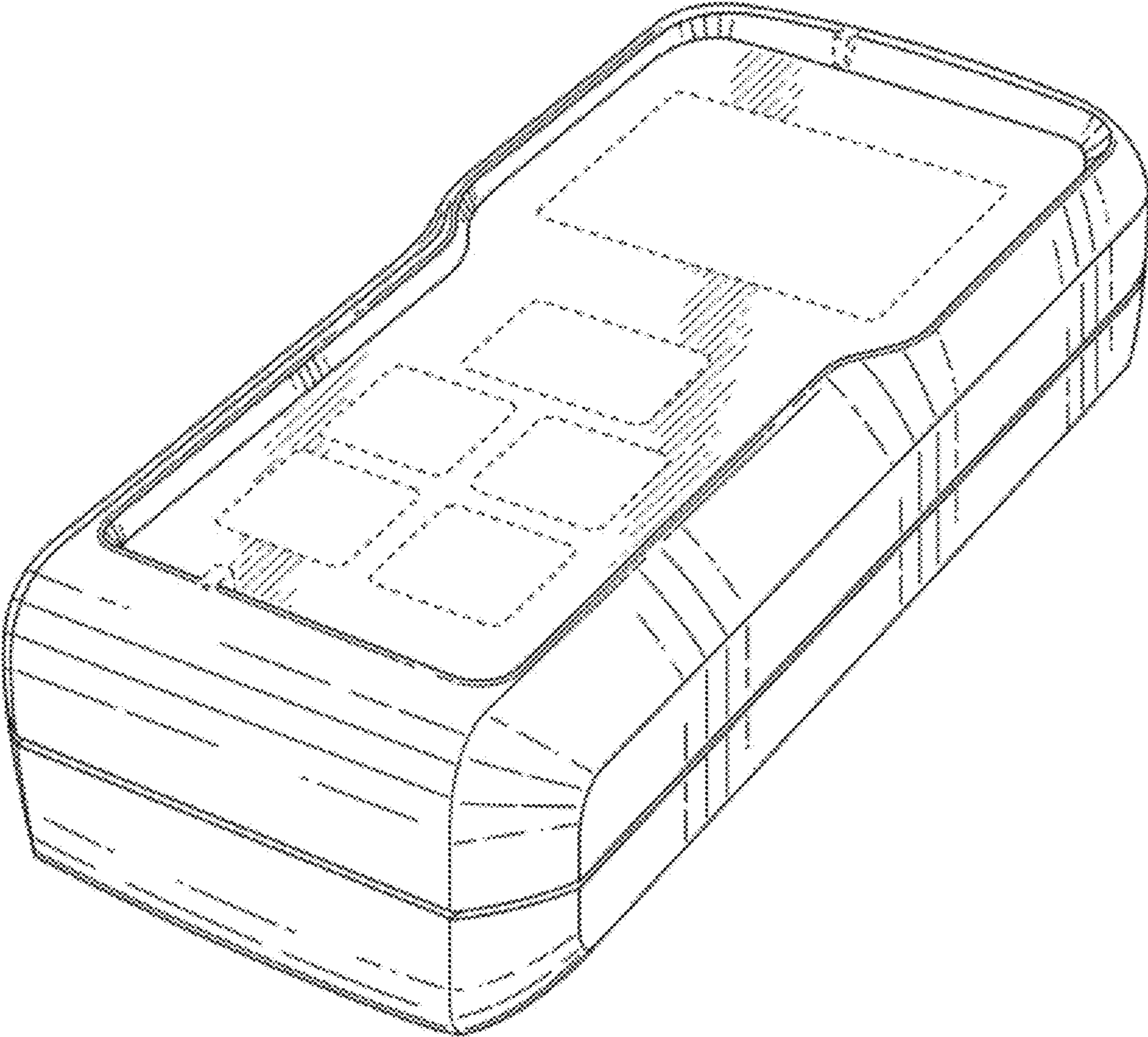


FIG. 10



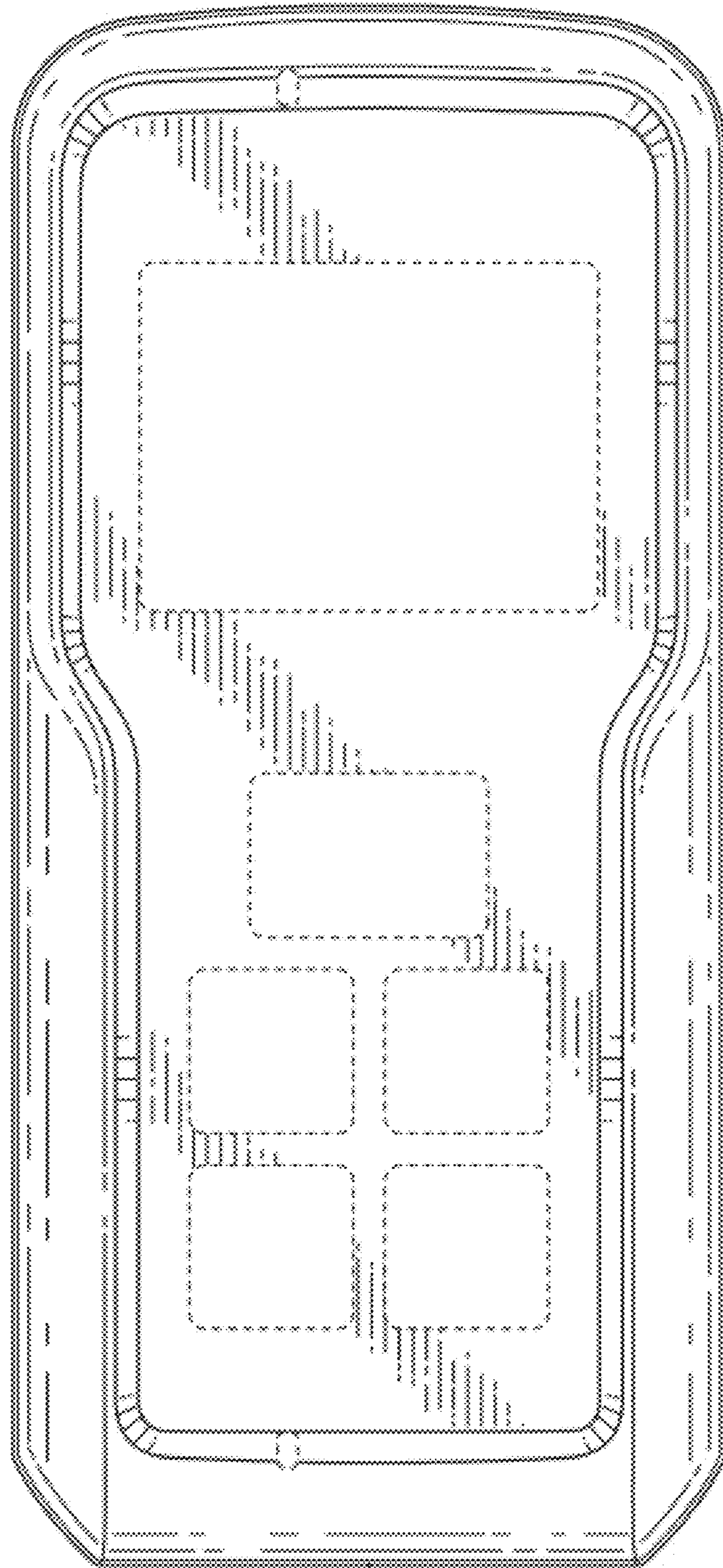


FIG. 11

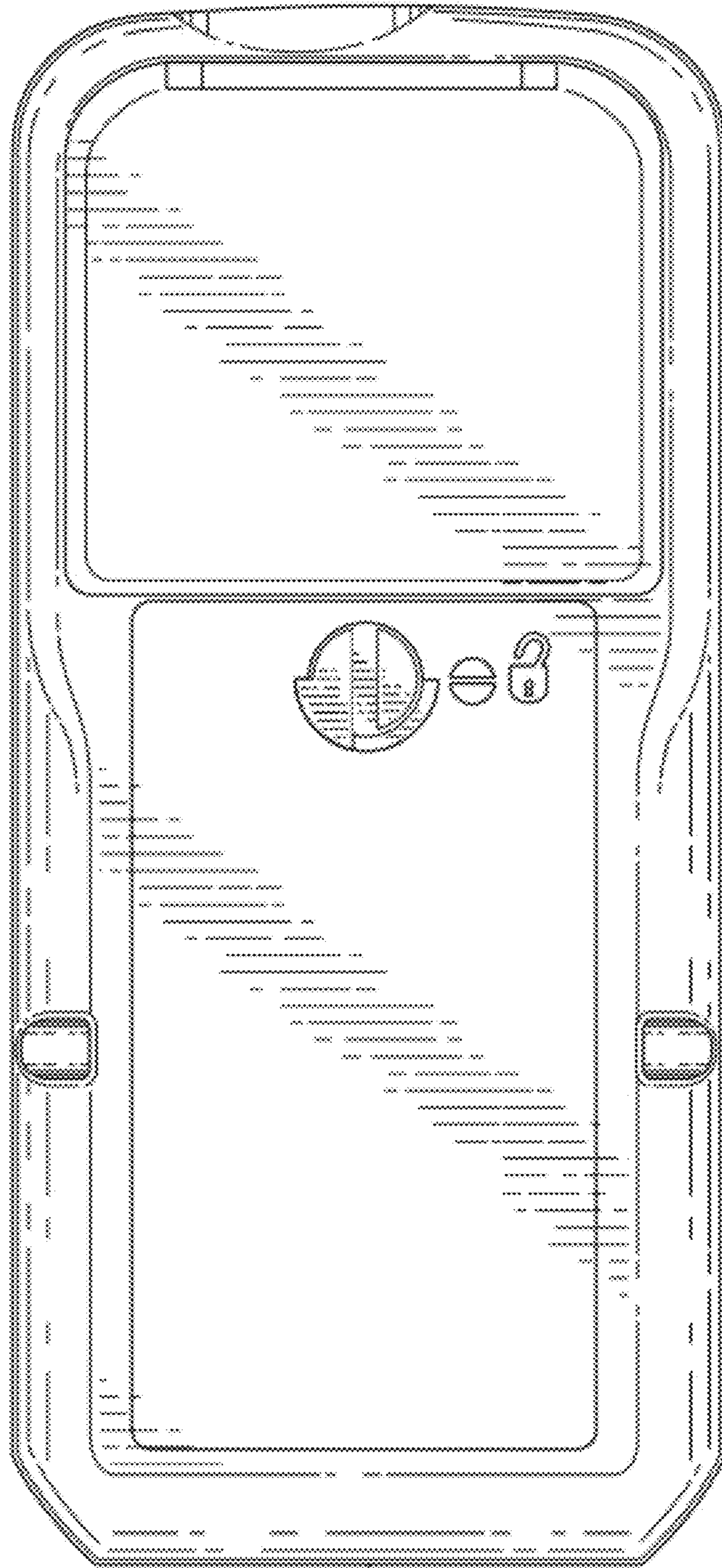


FIG. 12



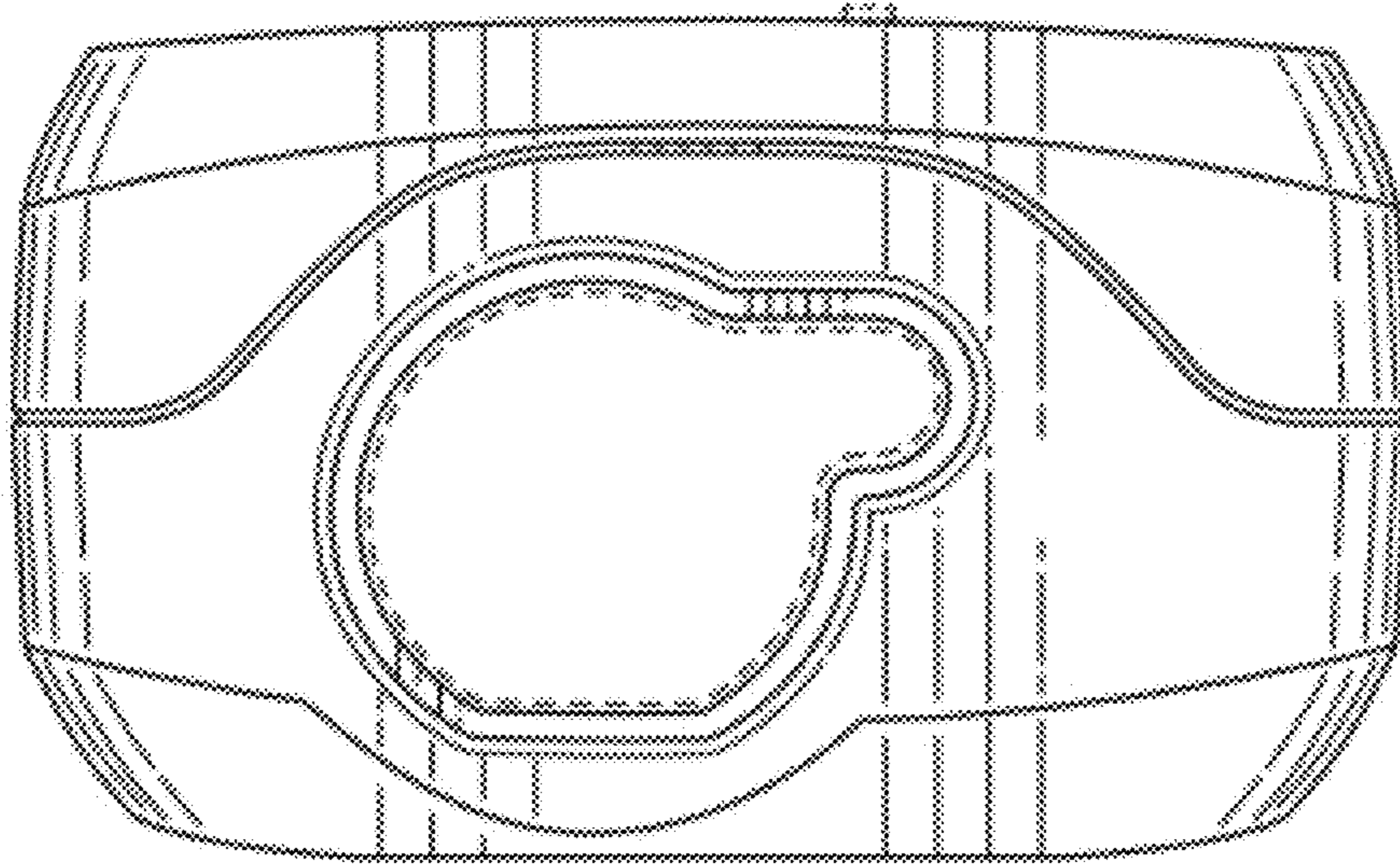


FIG. 13

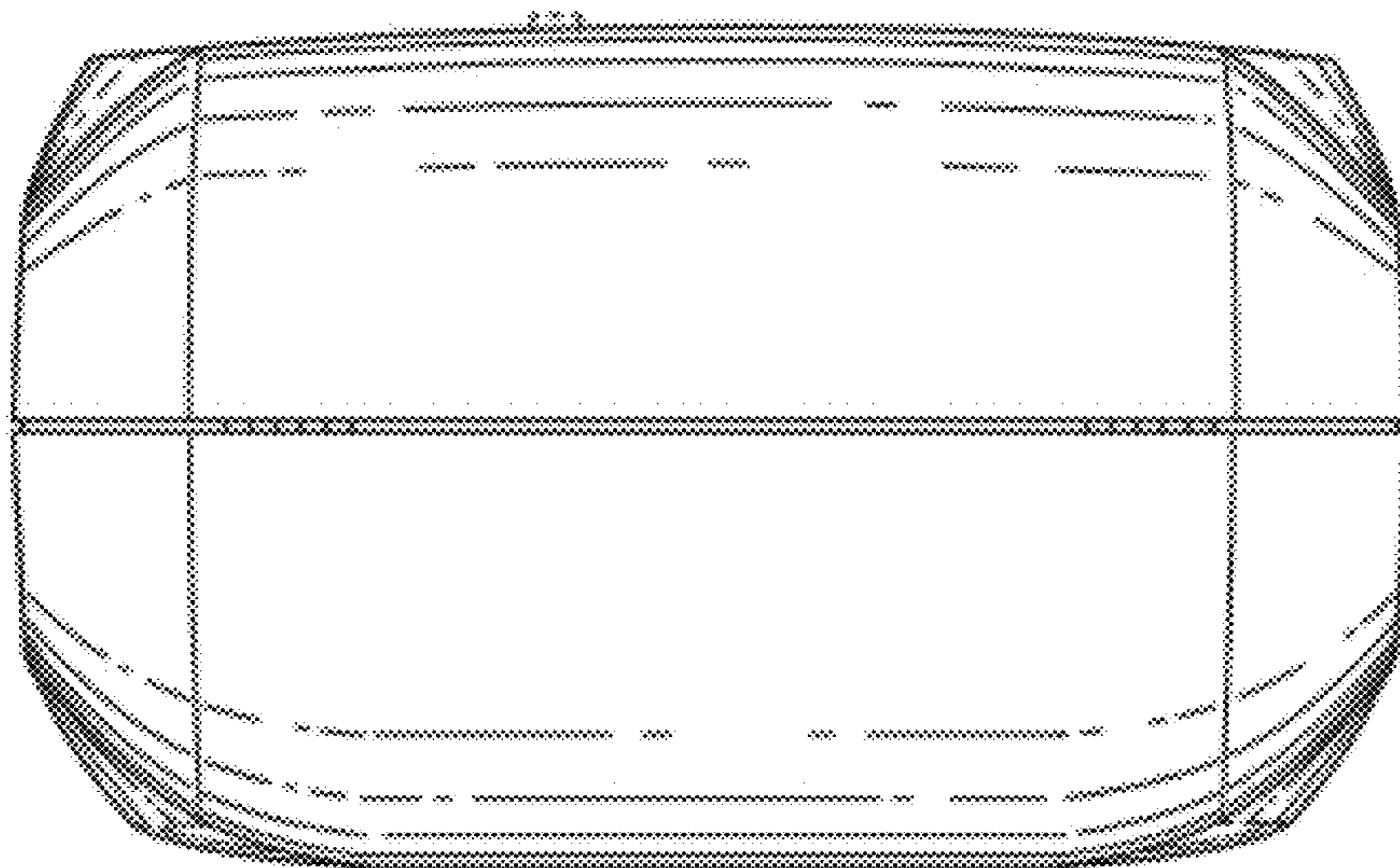


FIG. 14



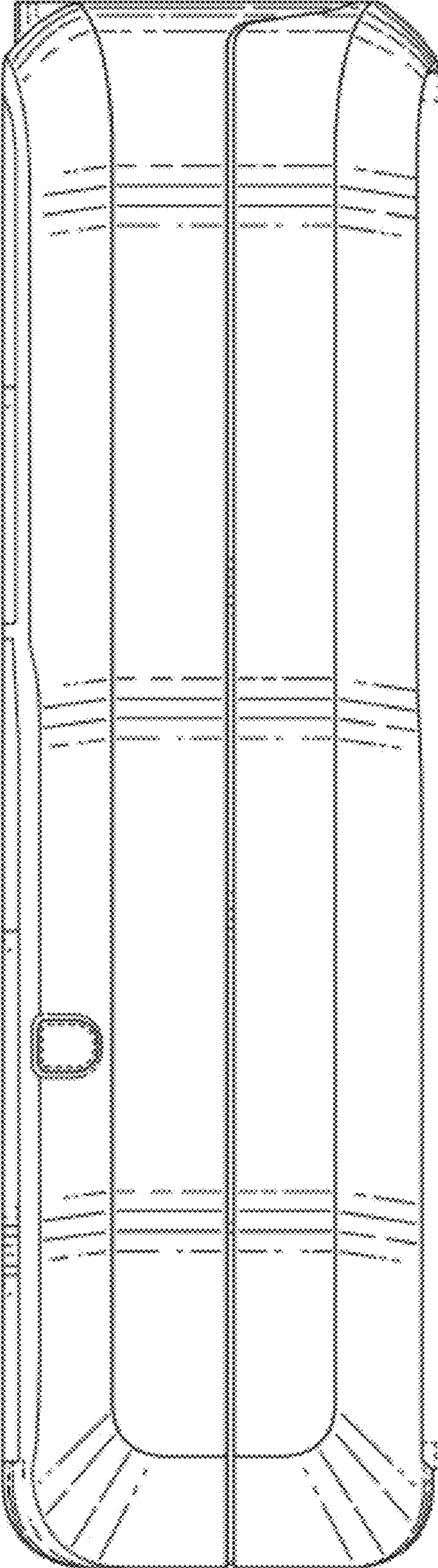


FIG. 15

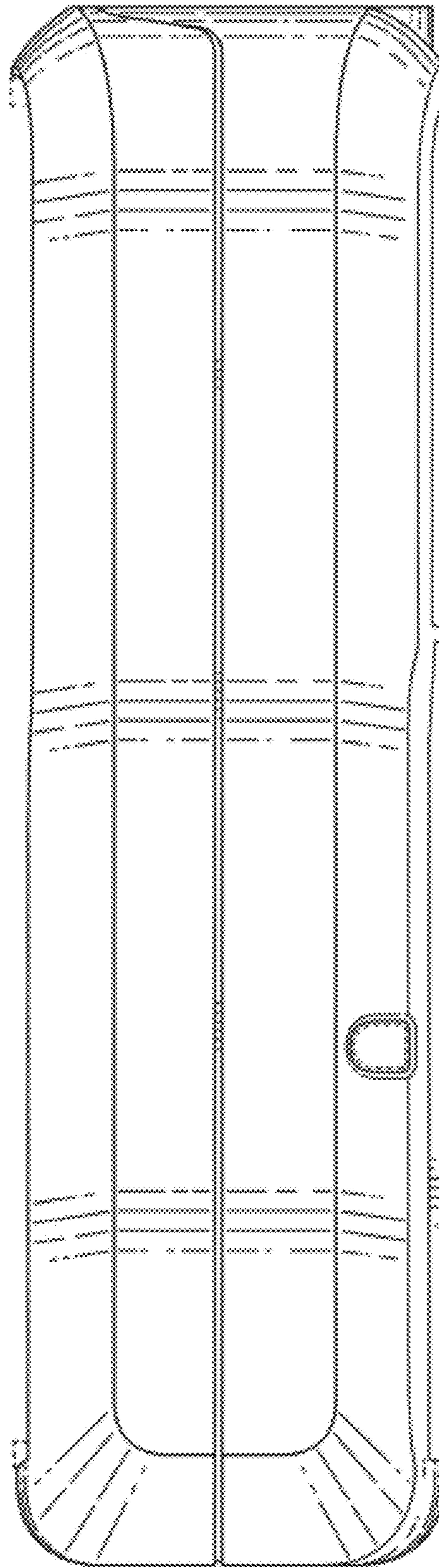


FIG. 16

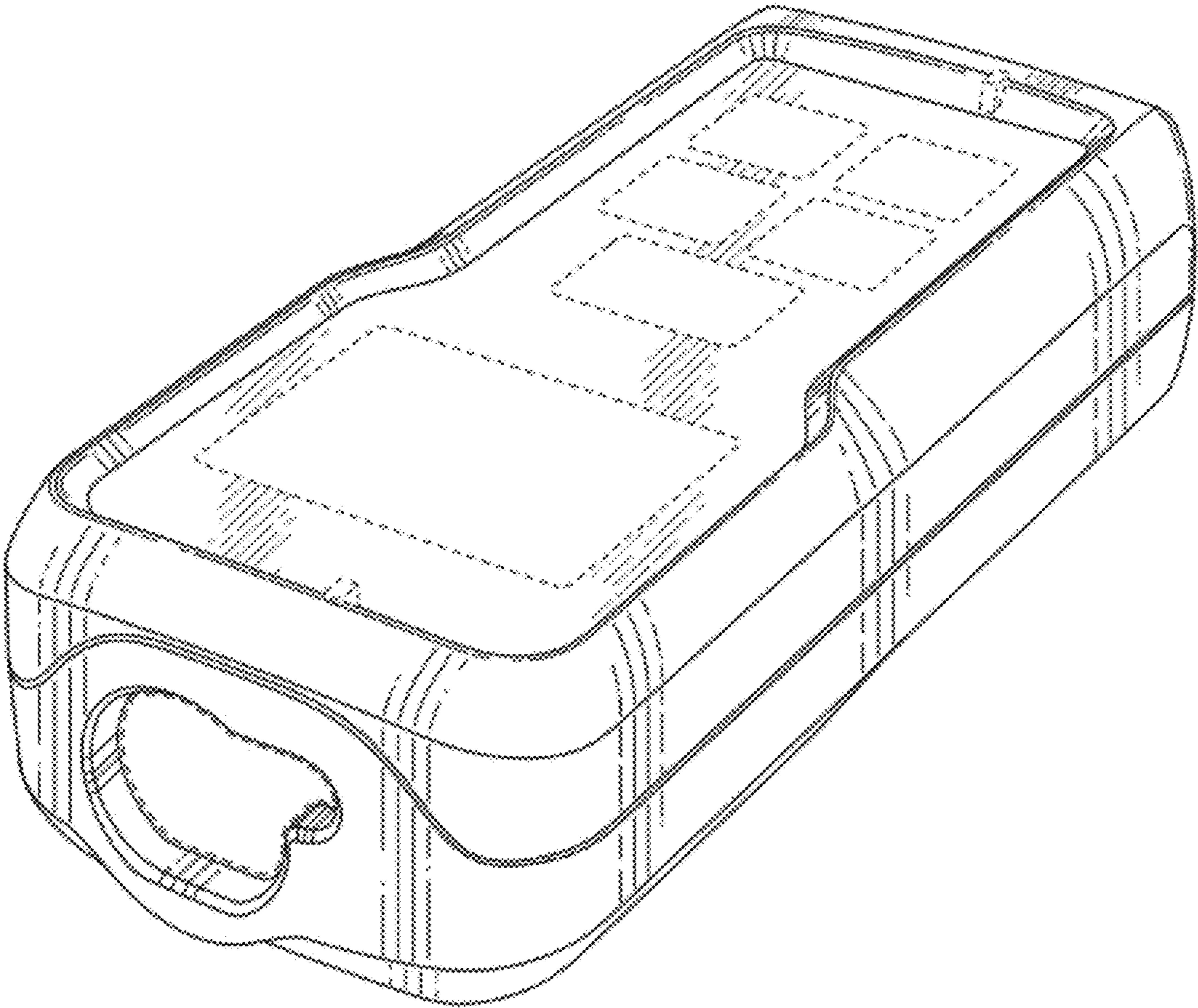


FIG. 17



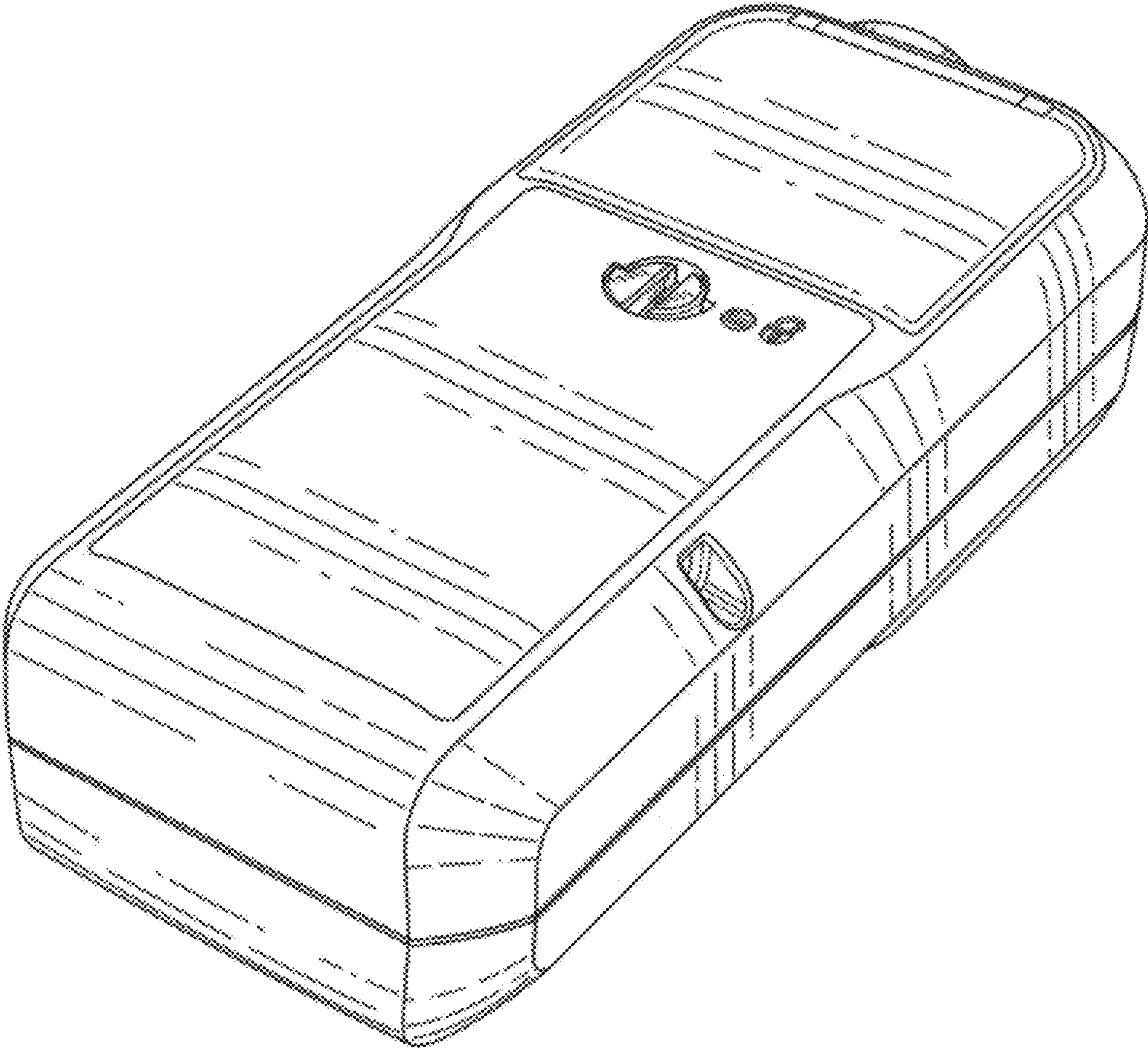


FIG. 18

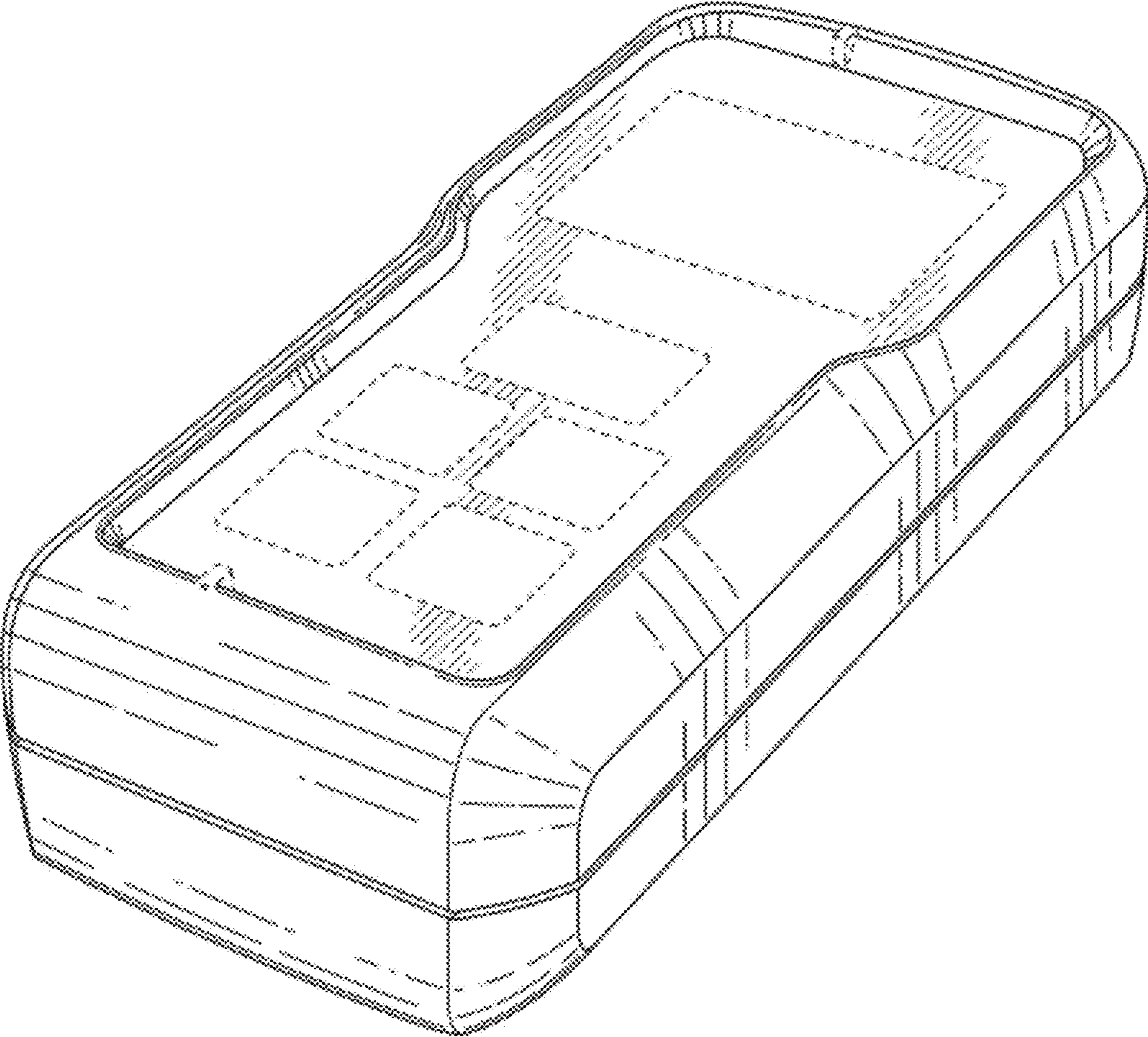


FIG. 19

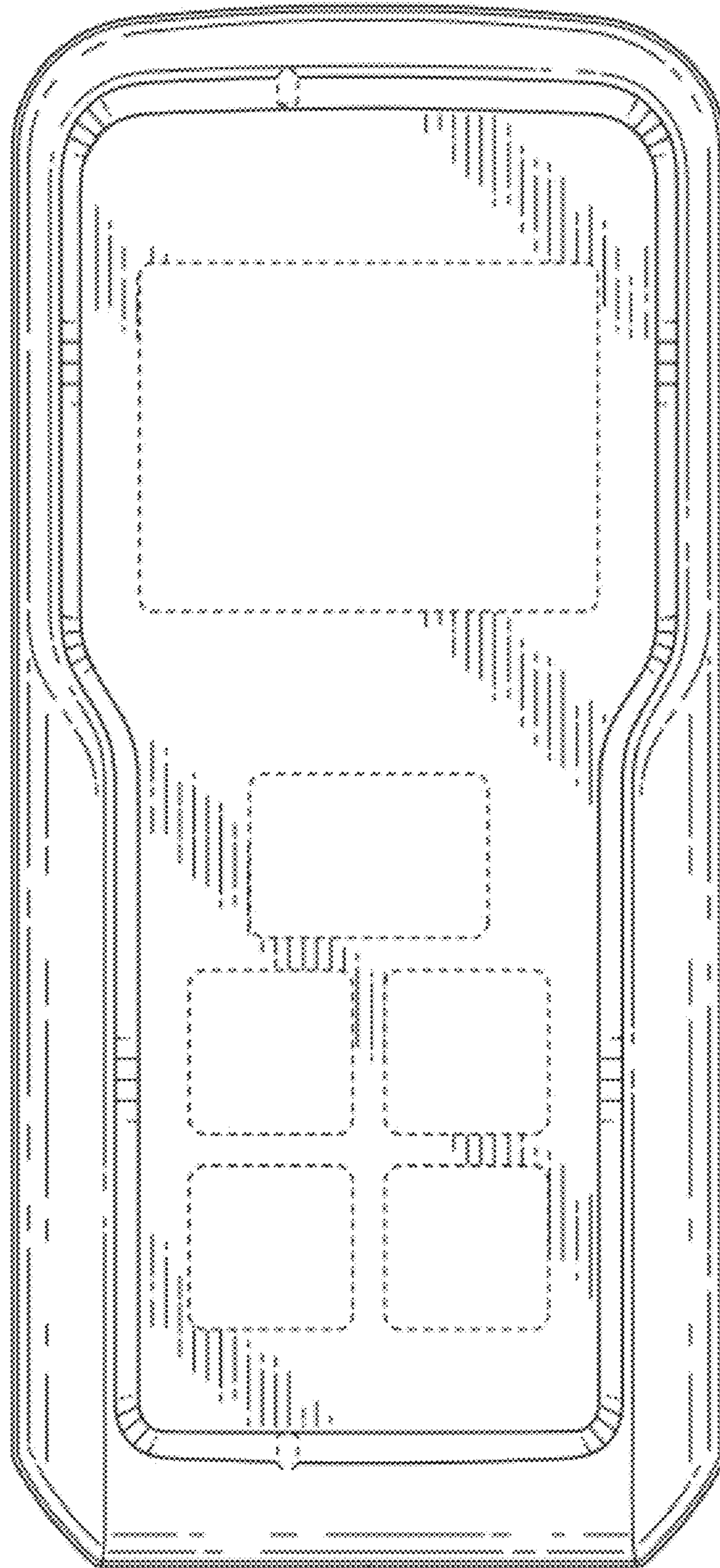


FIG. 20



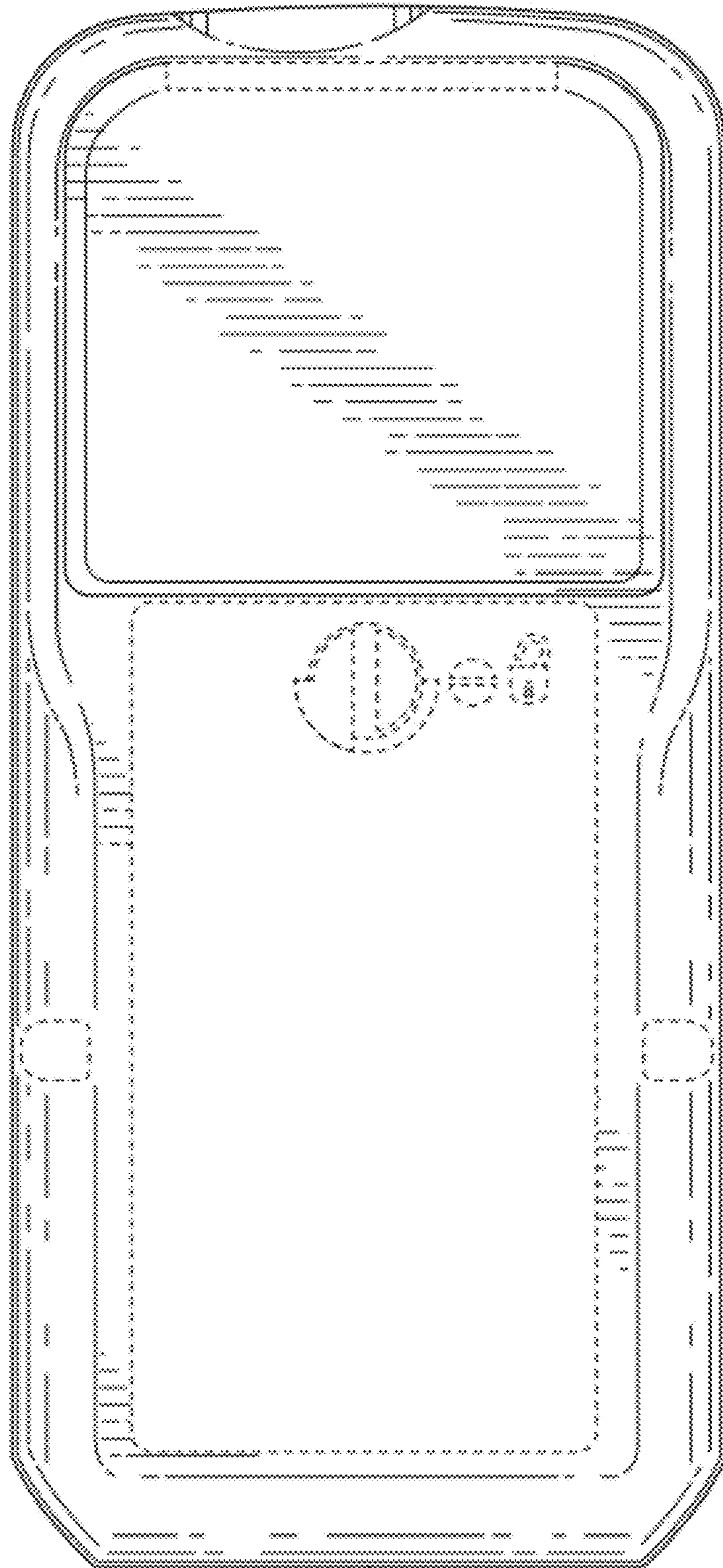


FIG. 21

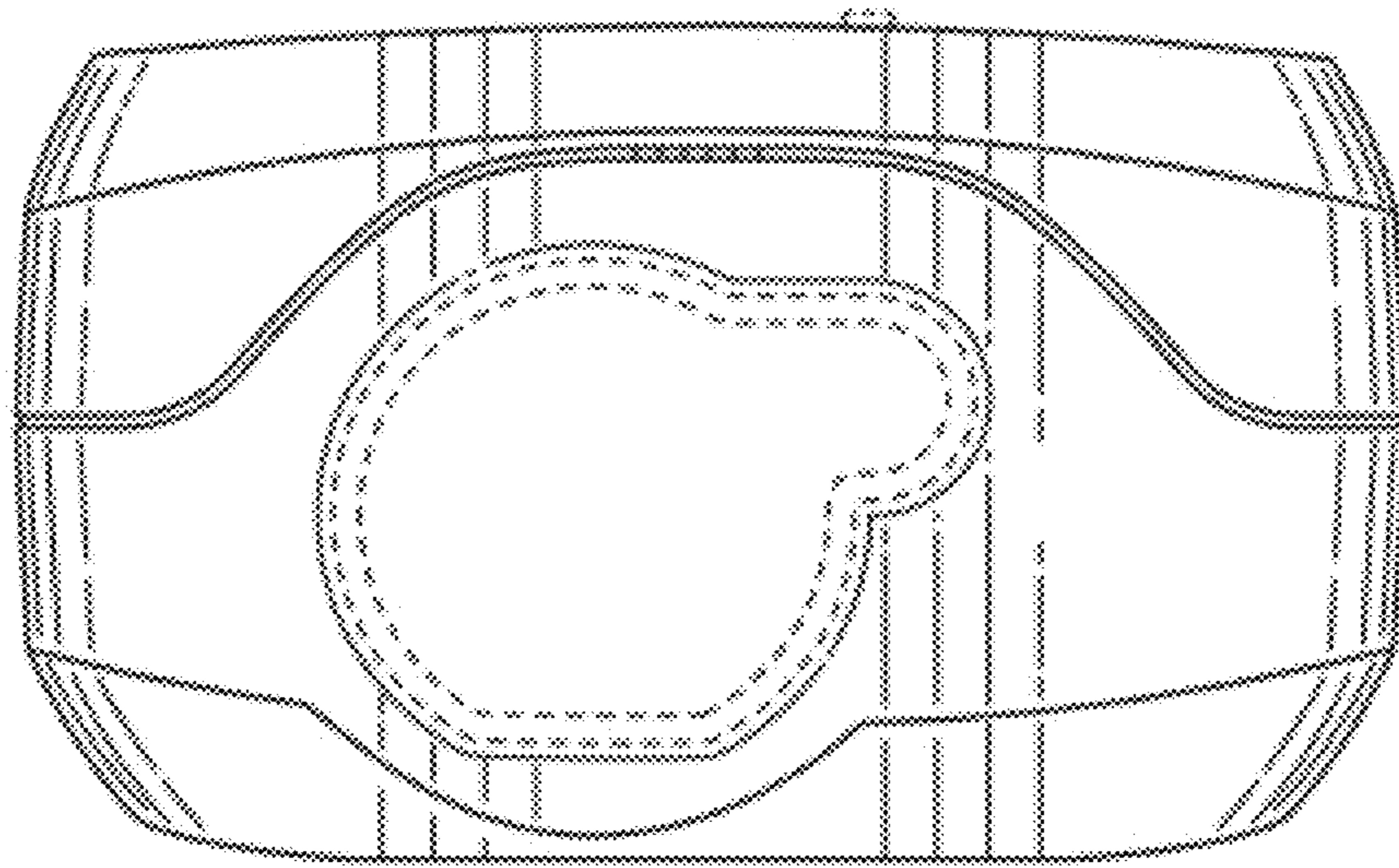


FIG. 22

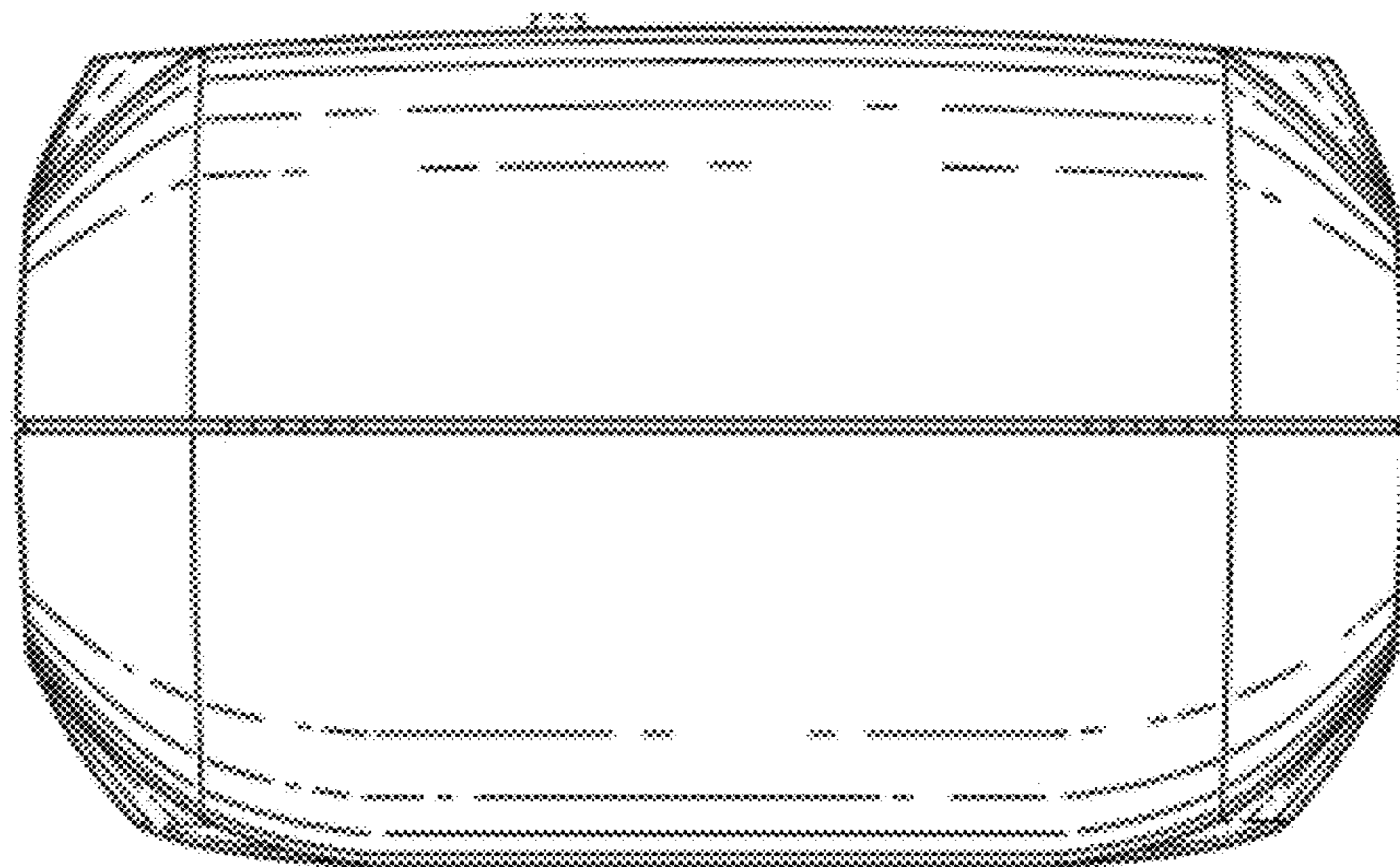


FIG. 23

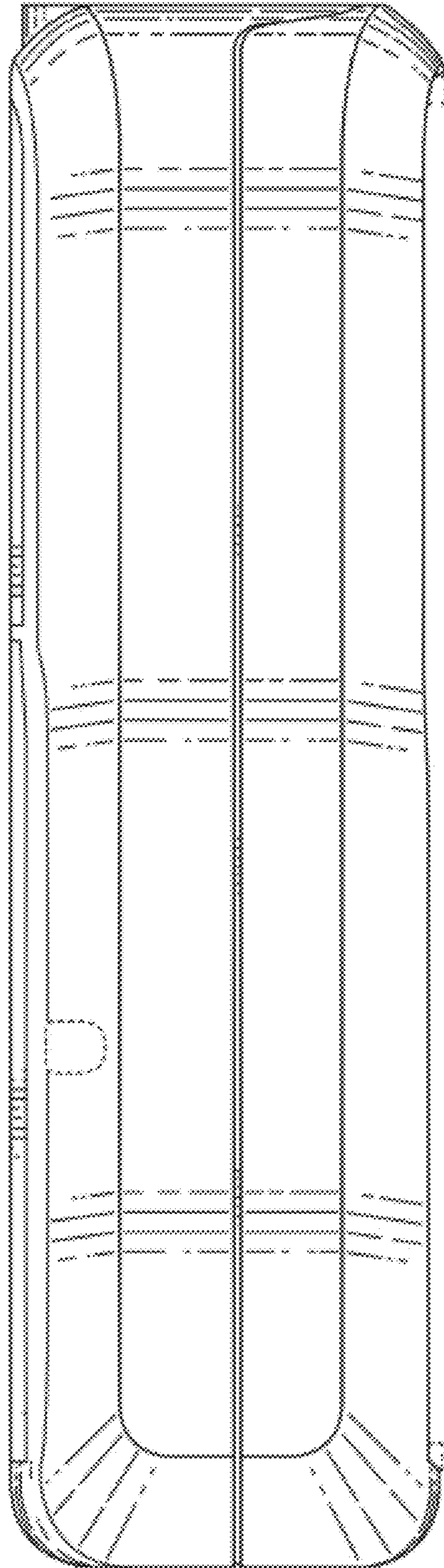


FIG. 24



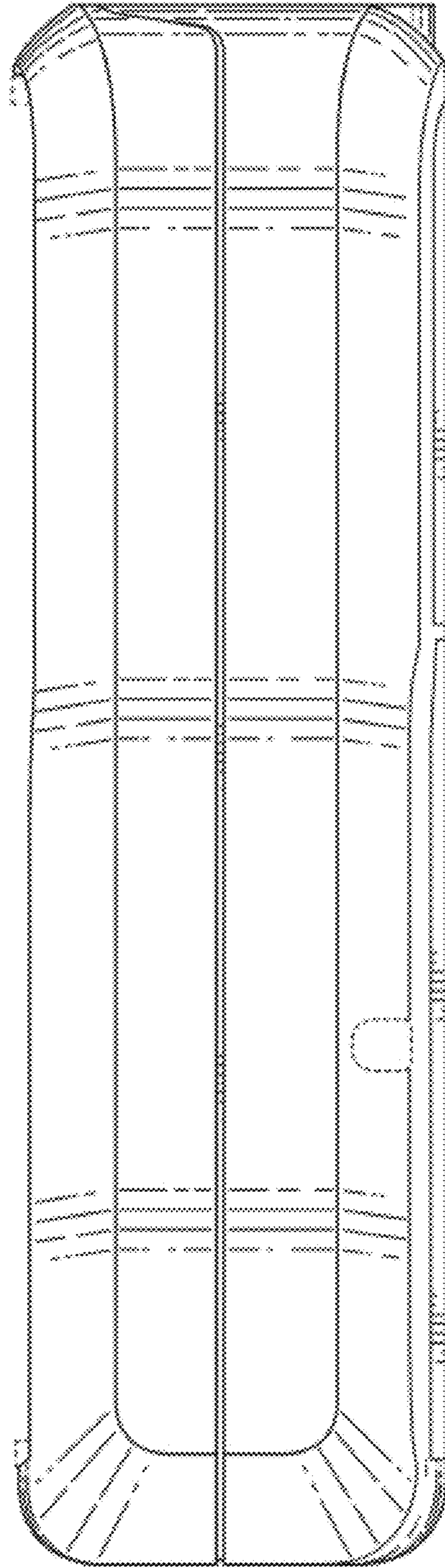


FIG. 25

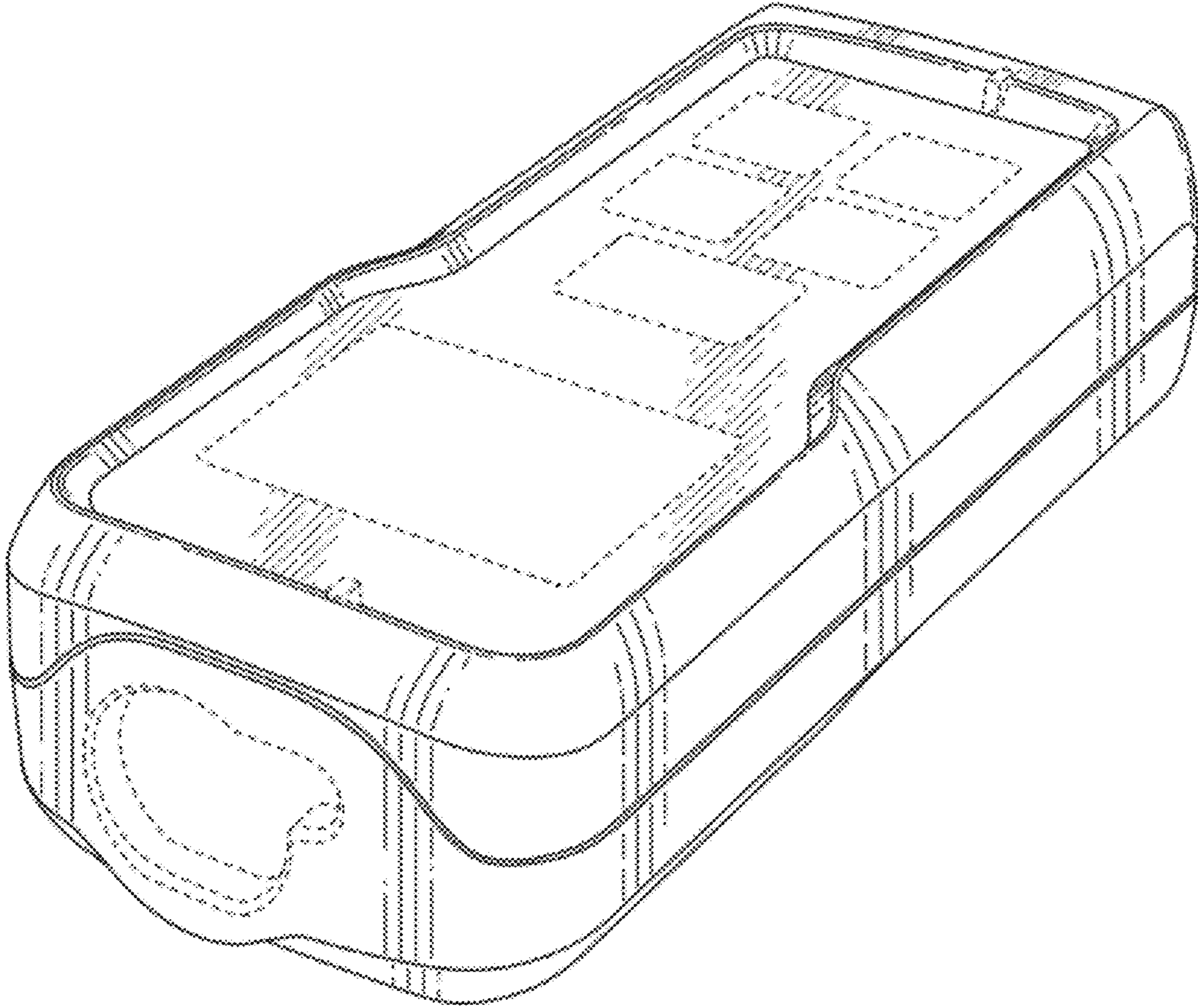


FIG. 26

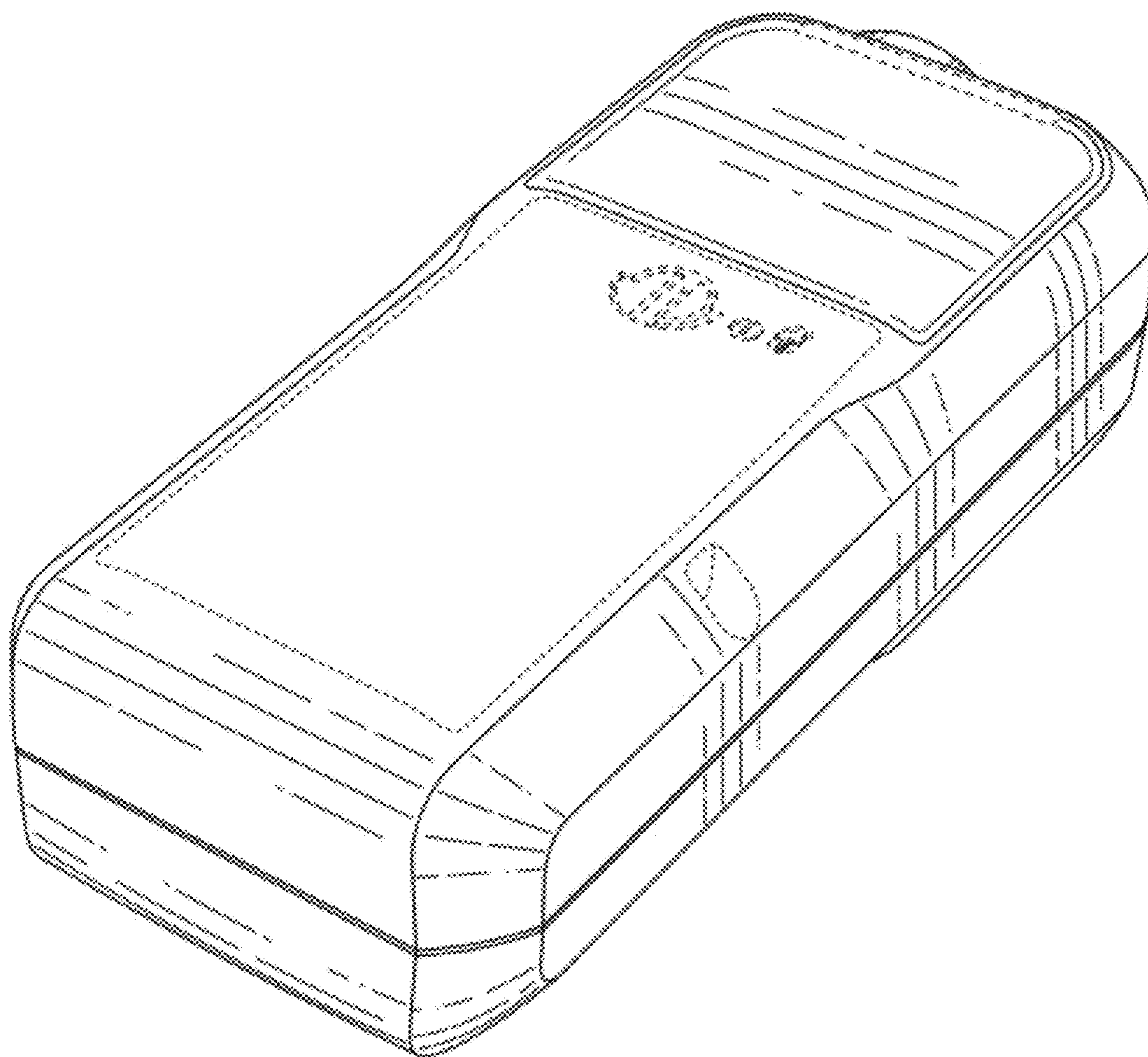


FIG. 27



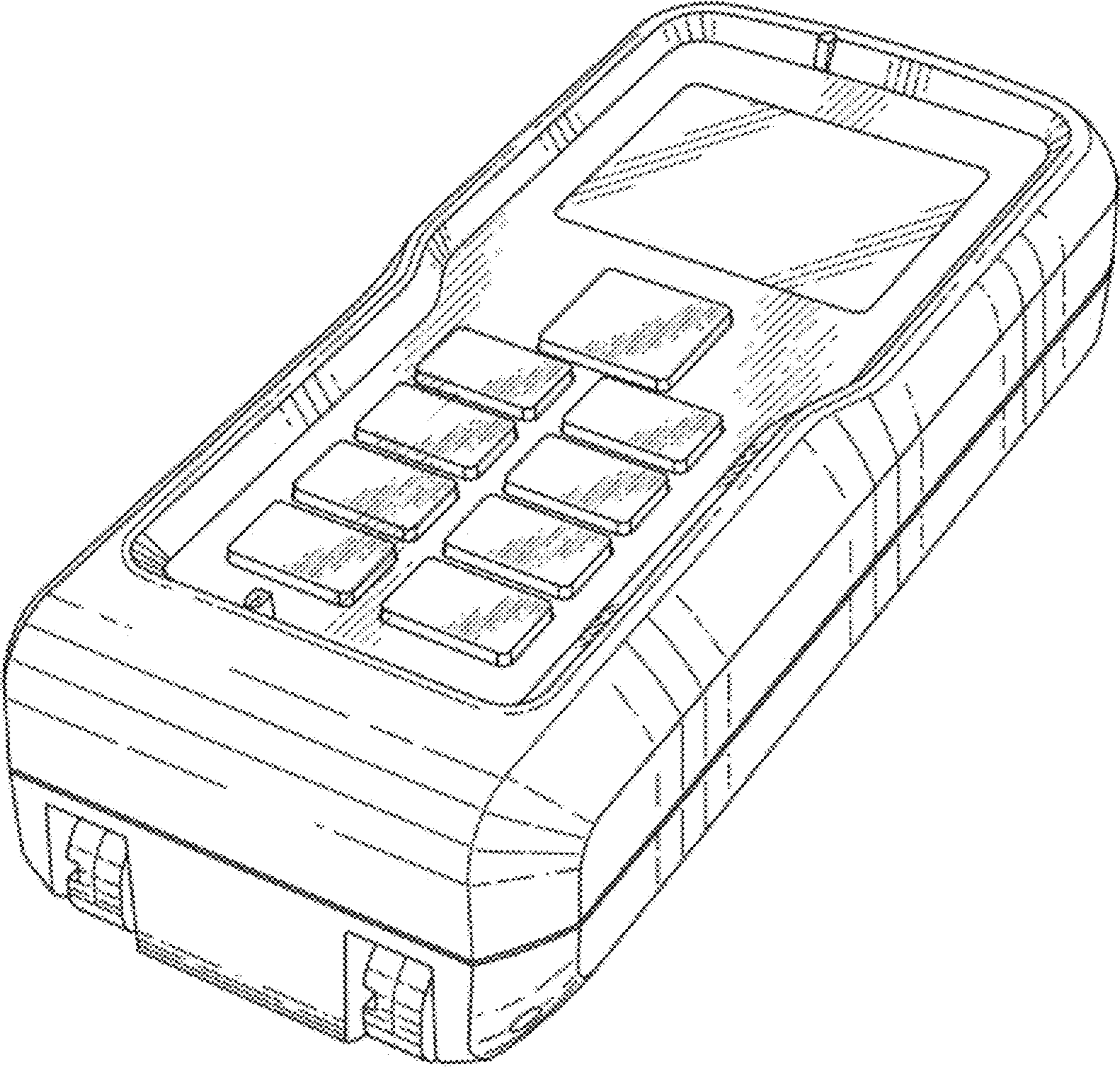


FIG. 28

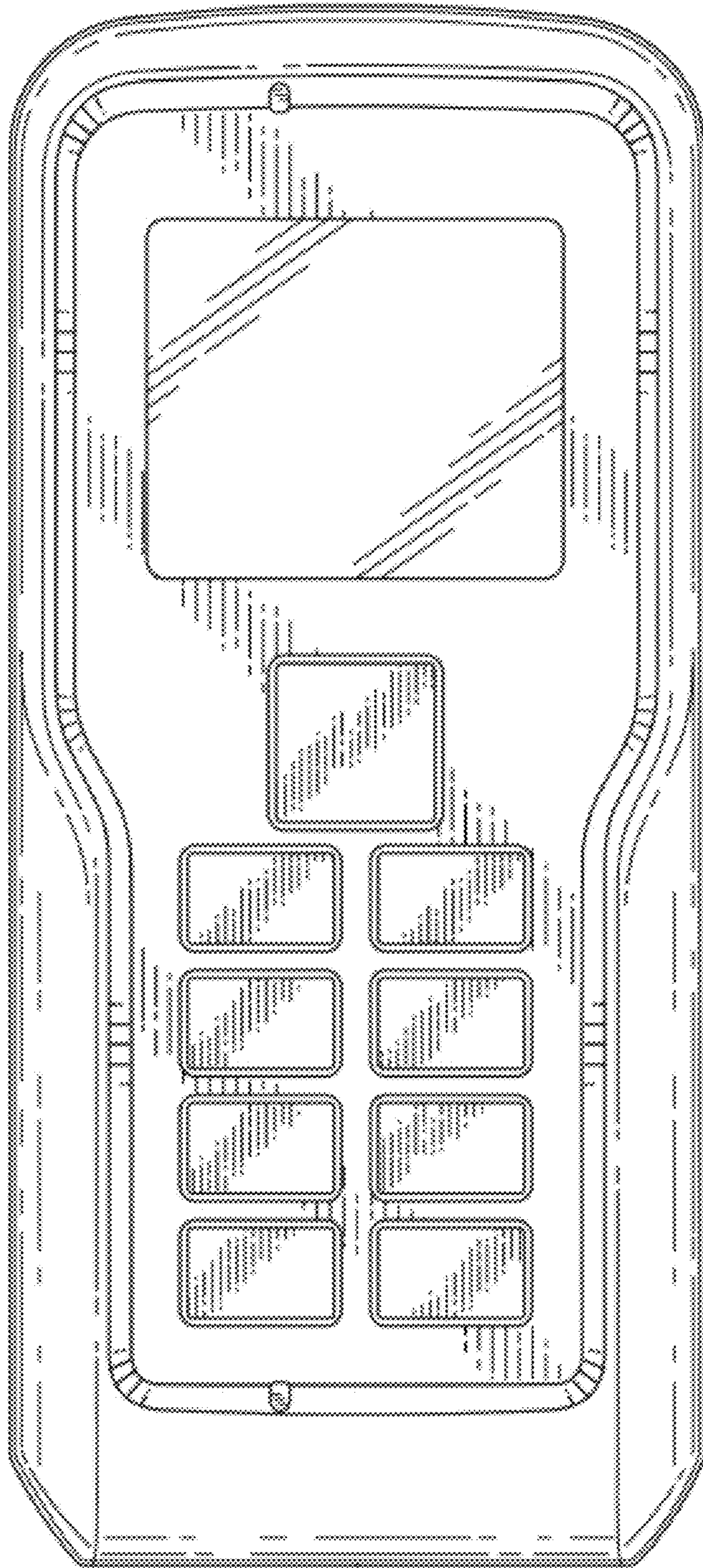


FIG. 29



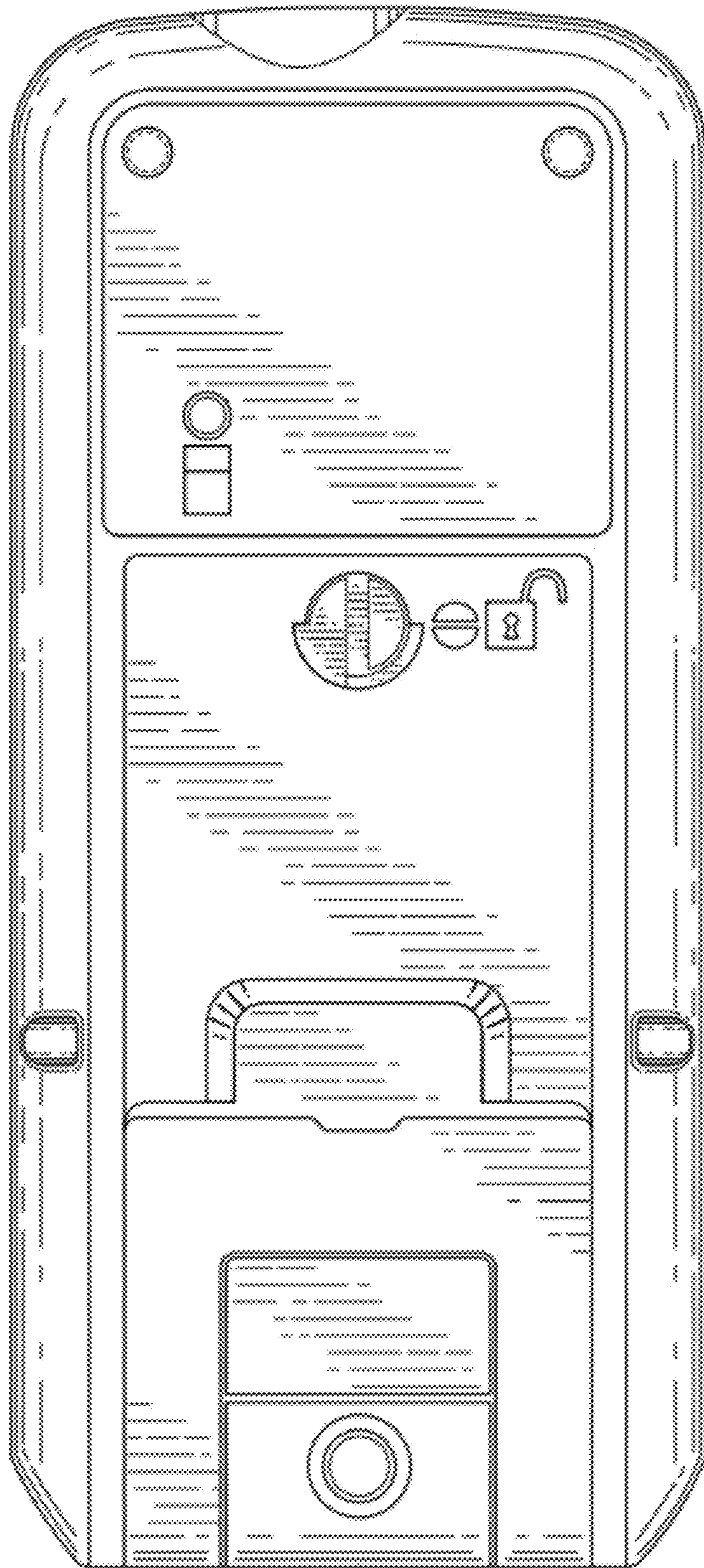


FIG. 30



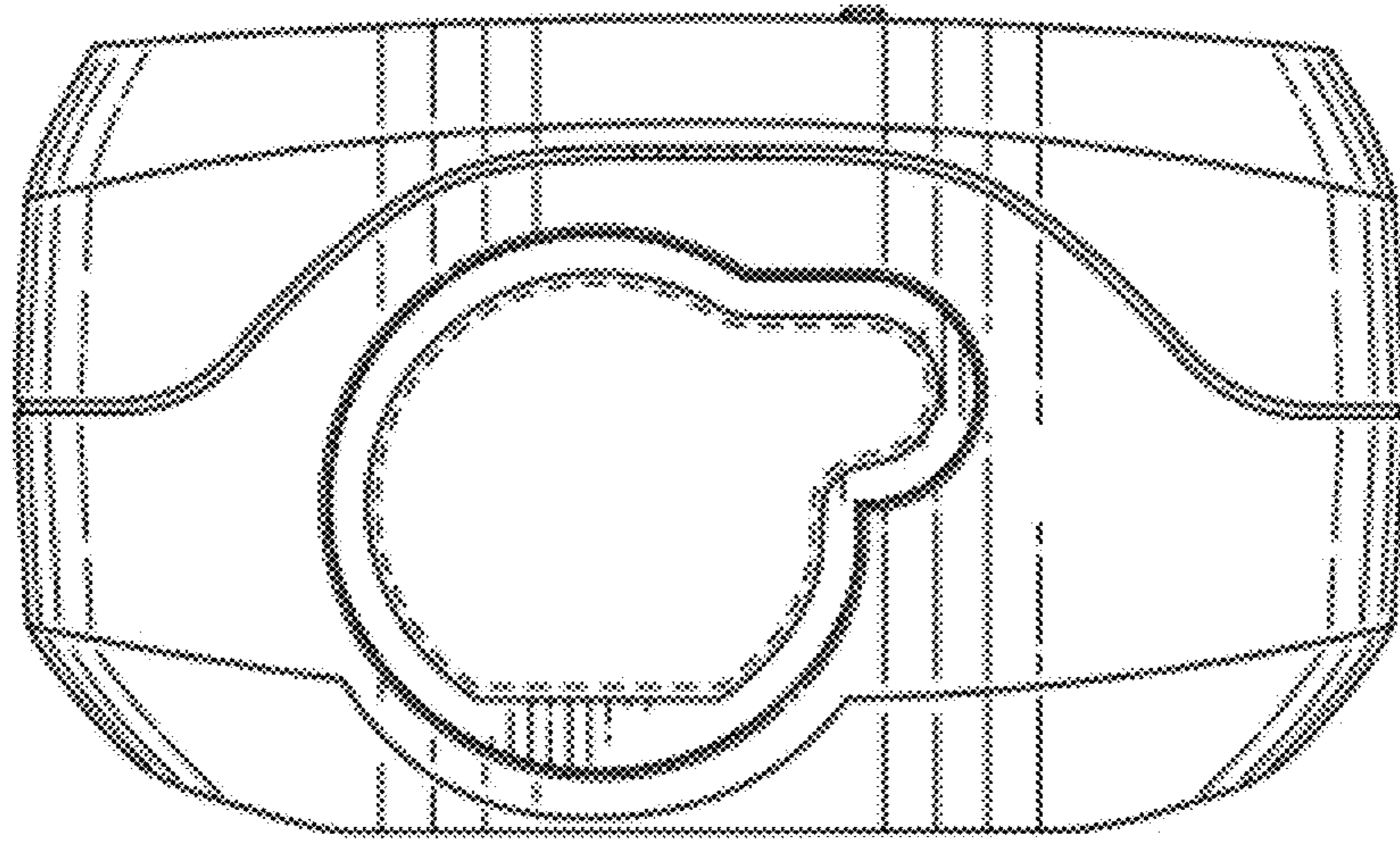


FIG. 31

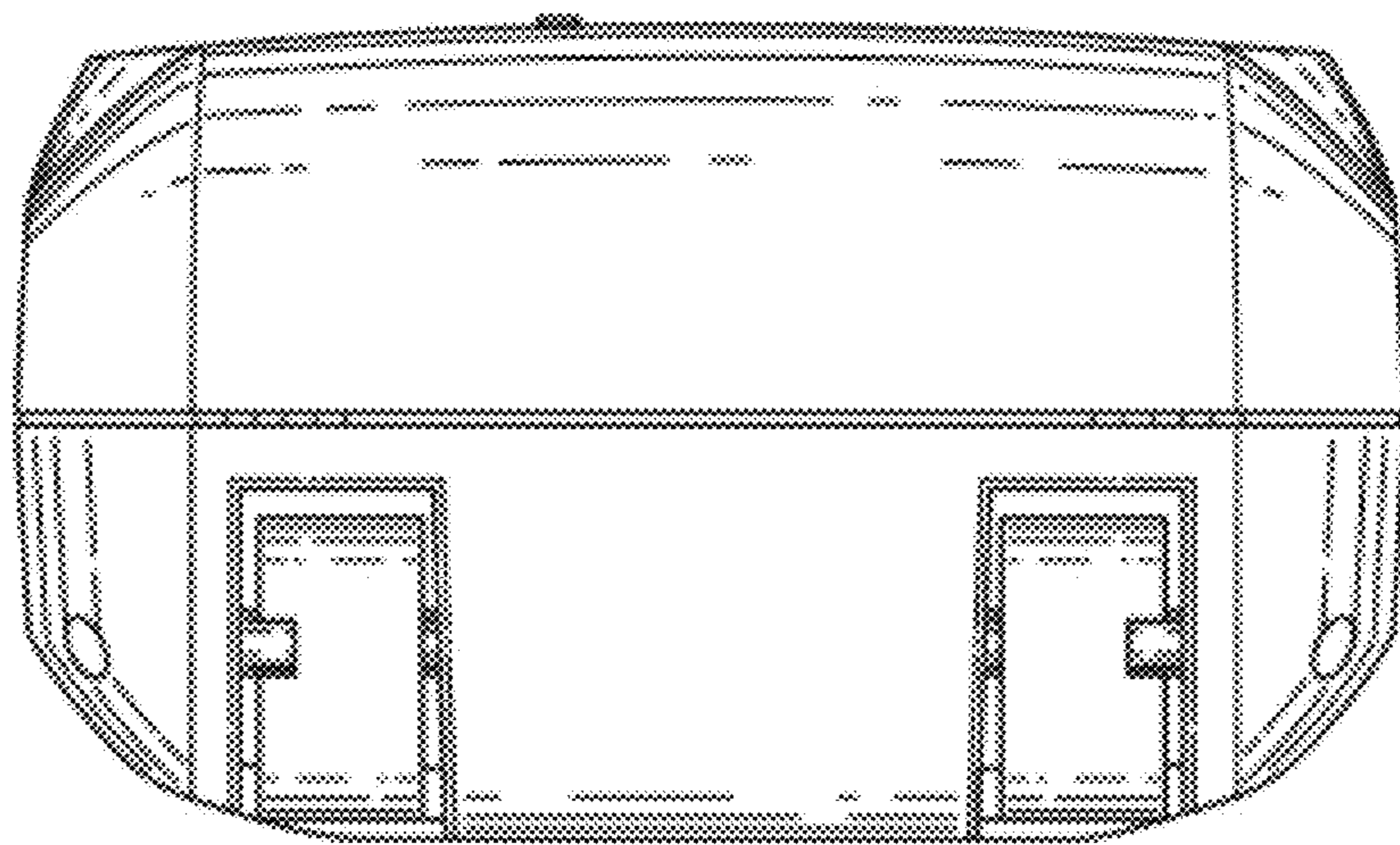


FIG. 32

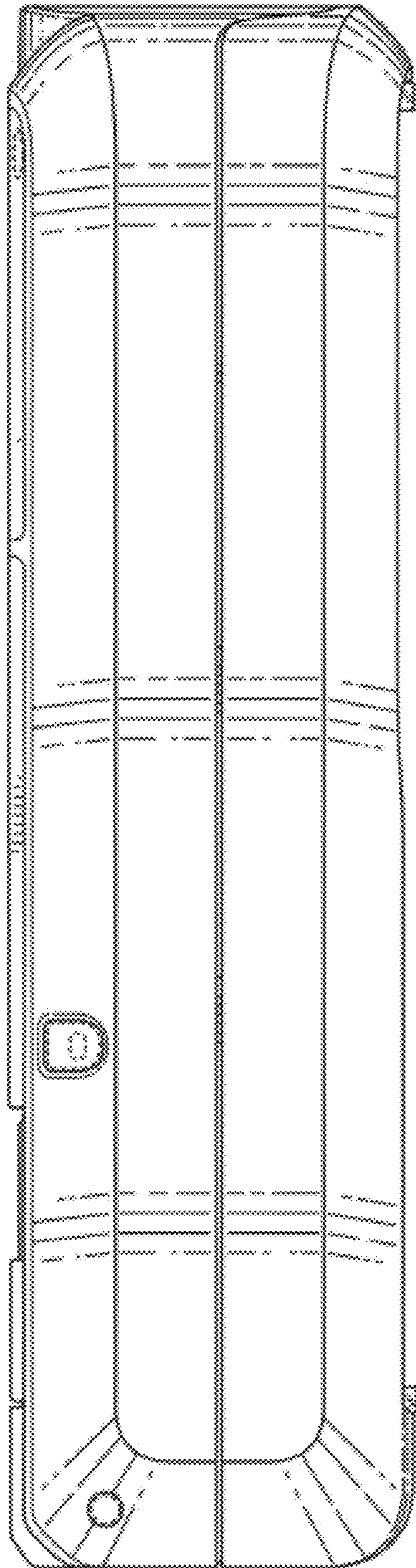


FIG. 33

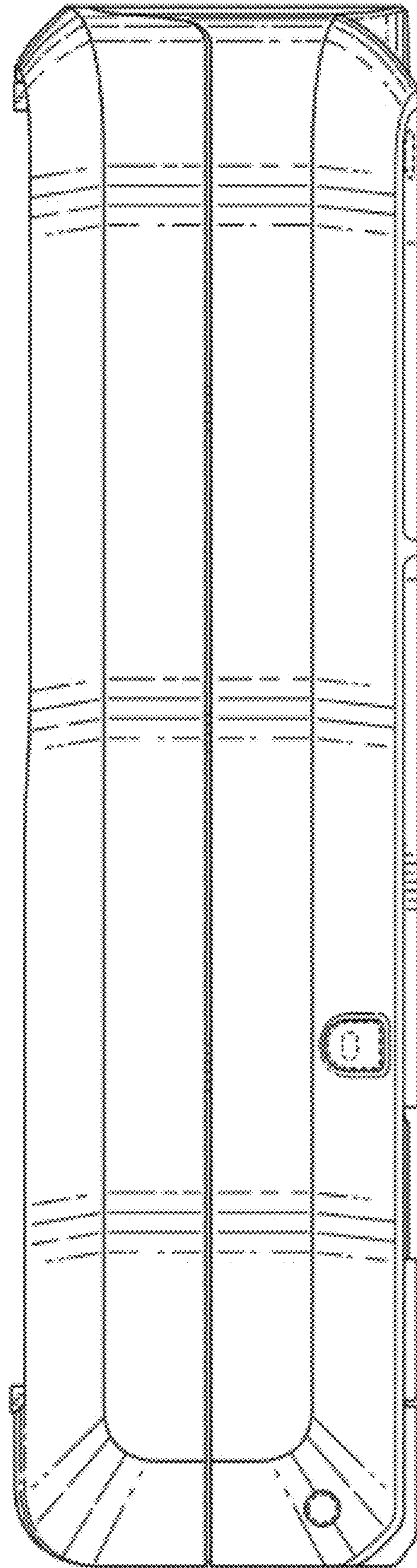


FIG. 34



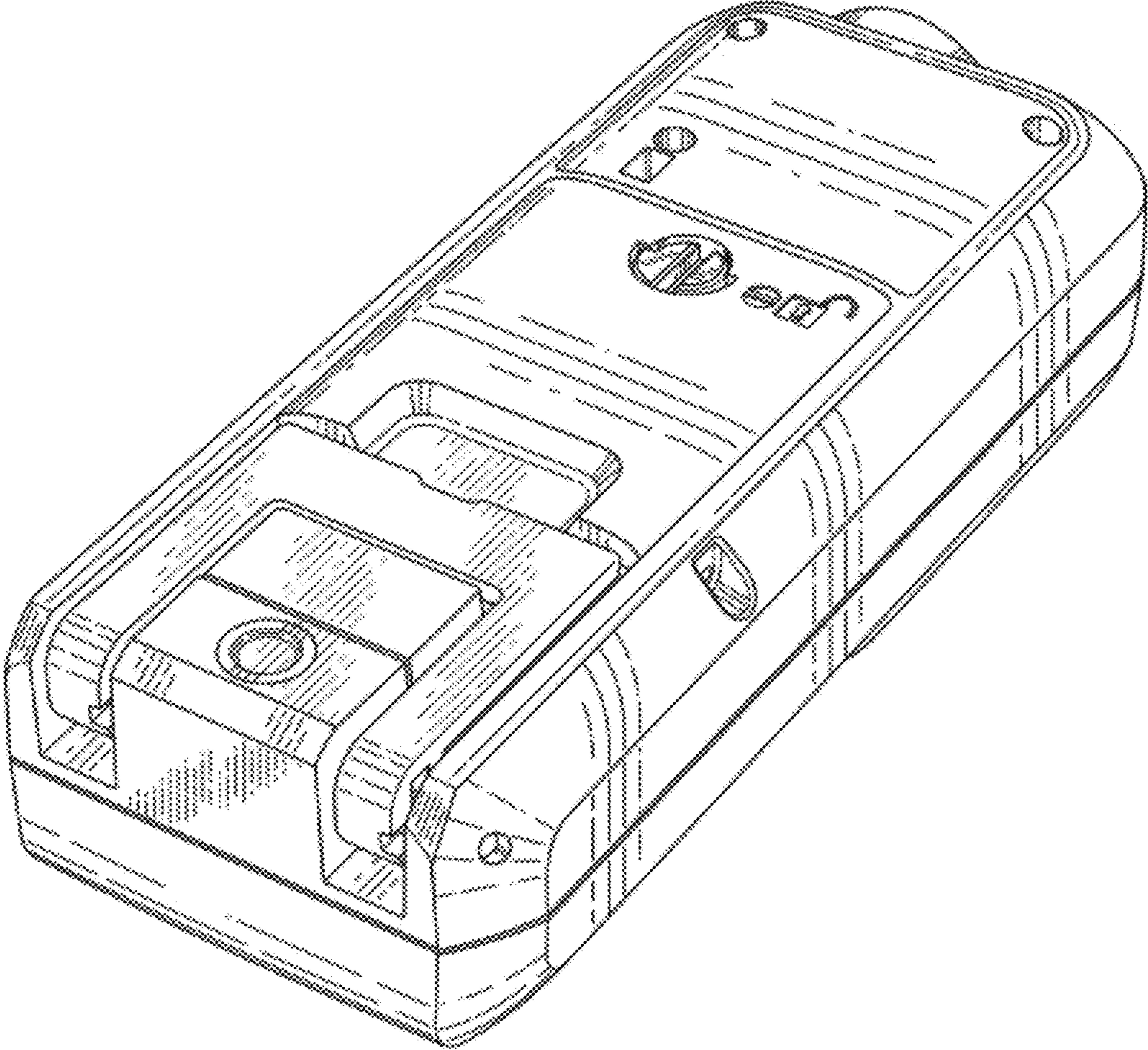


FIG. 35

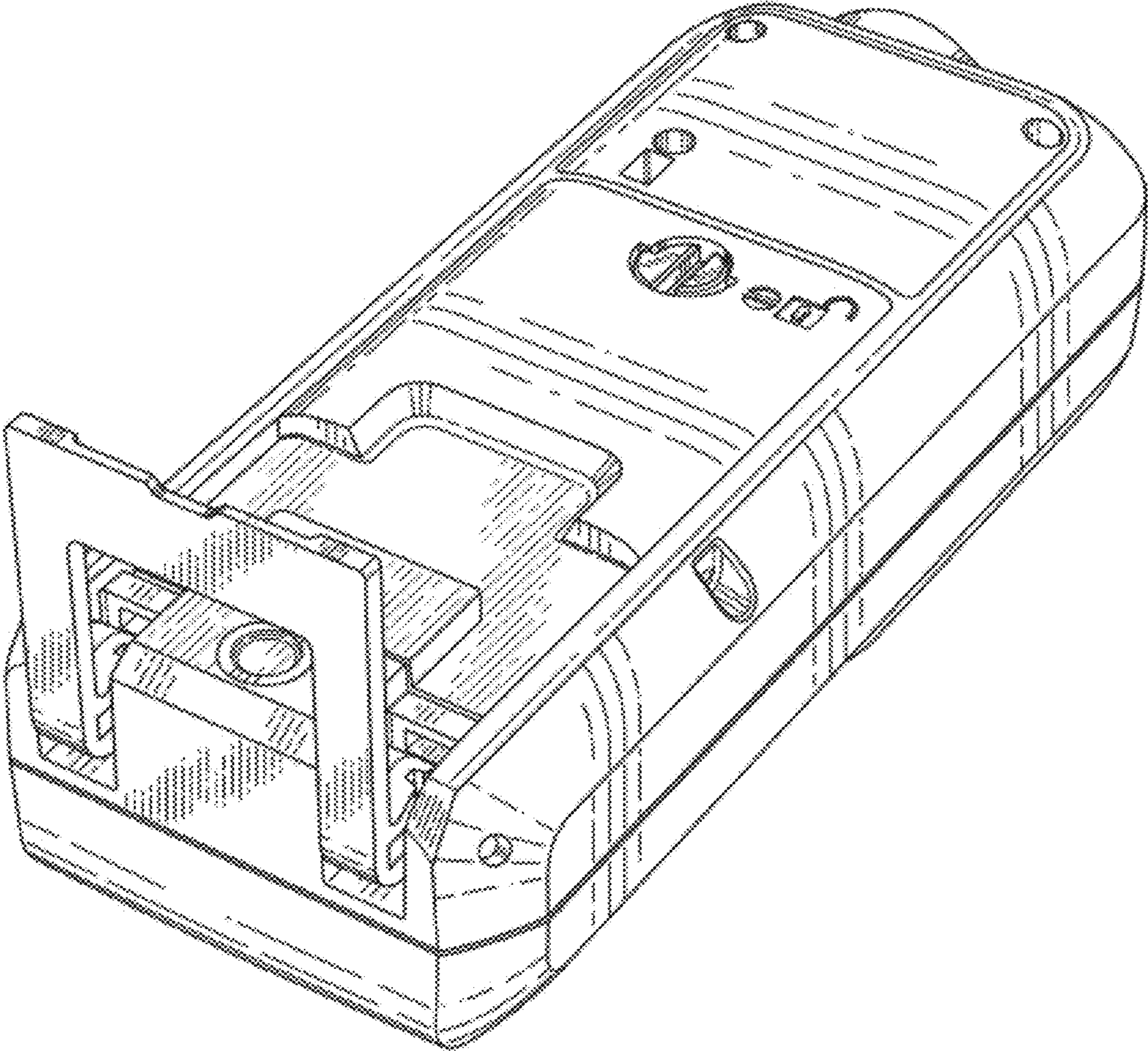


FIG. 36



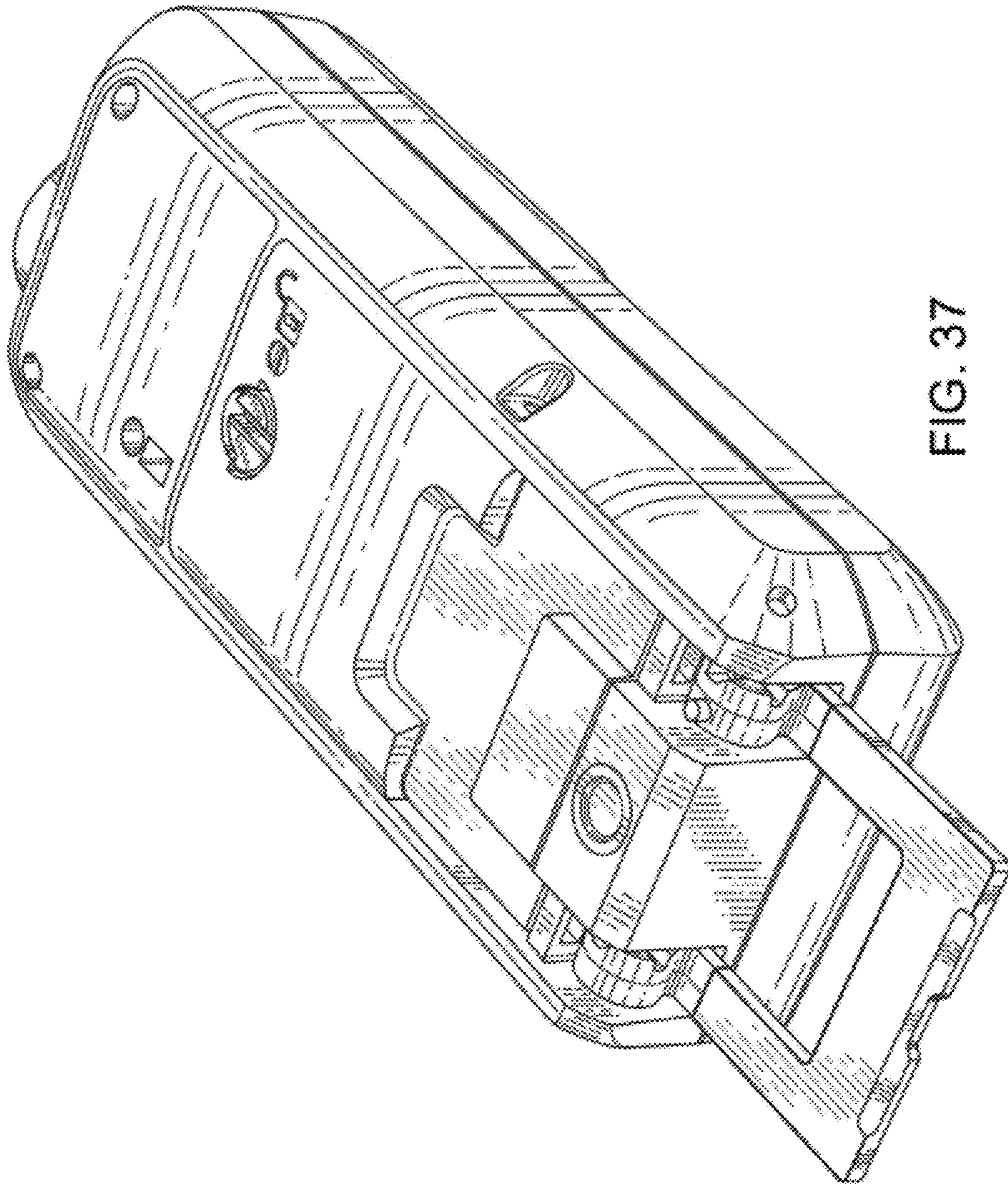


FIG. 37



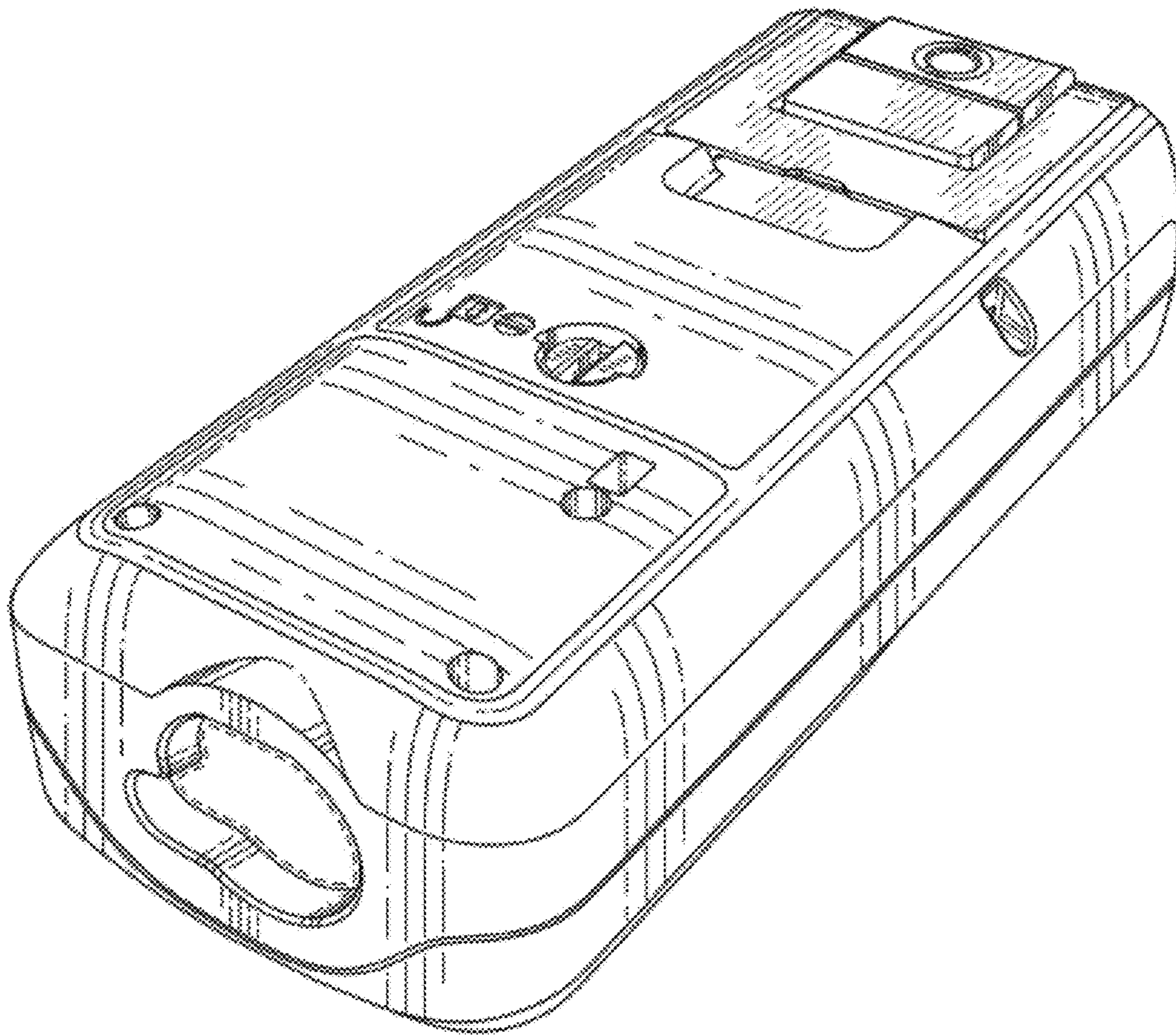


FIG. 38

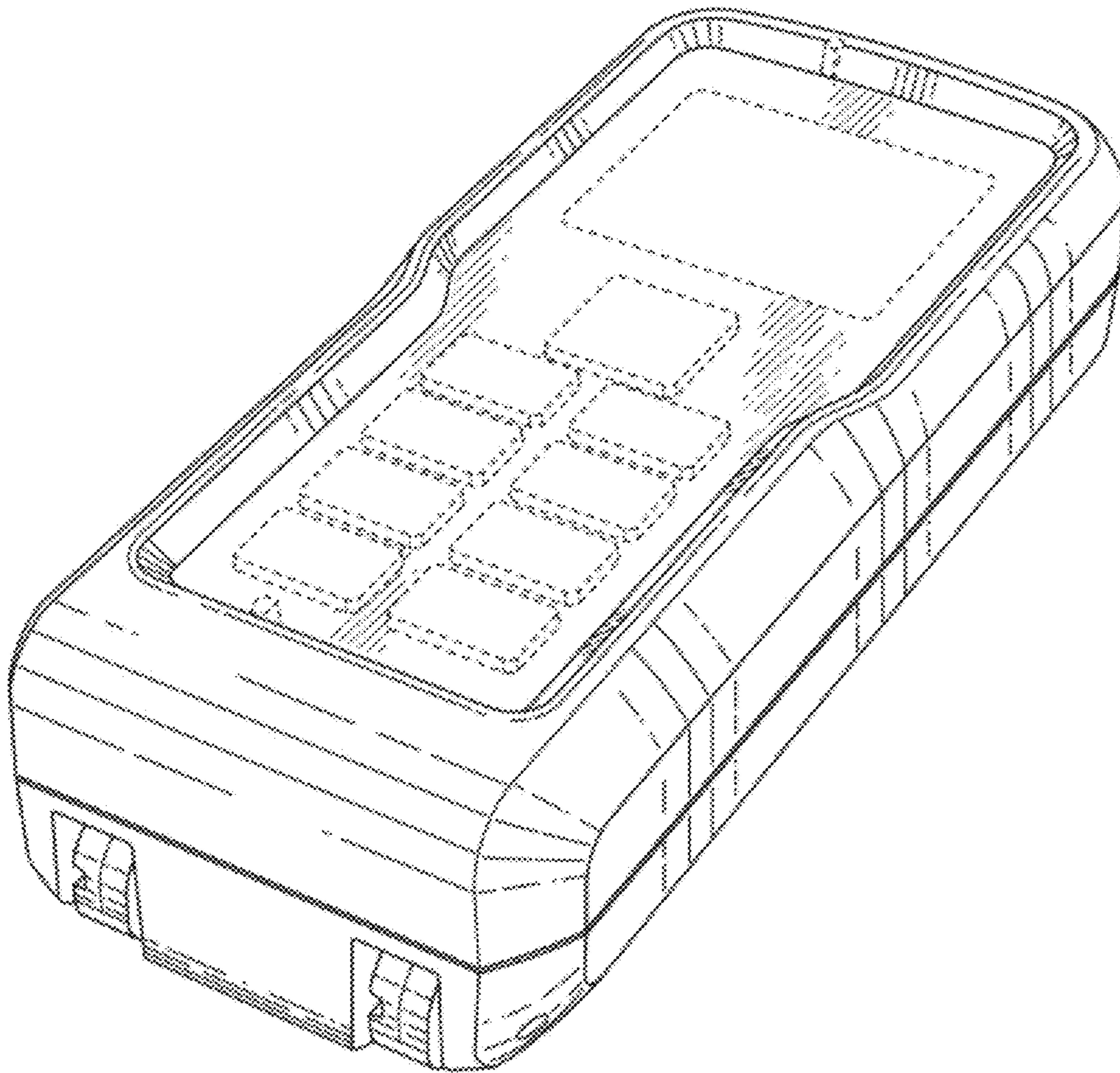


FIG. 39



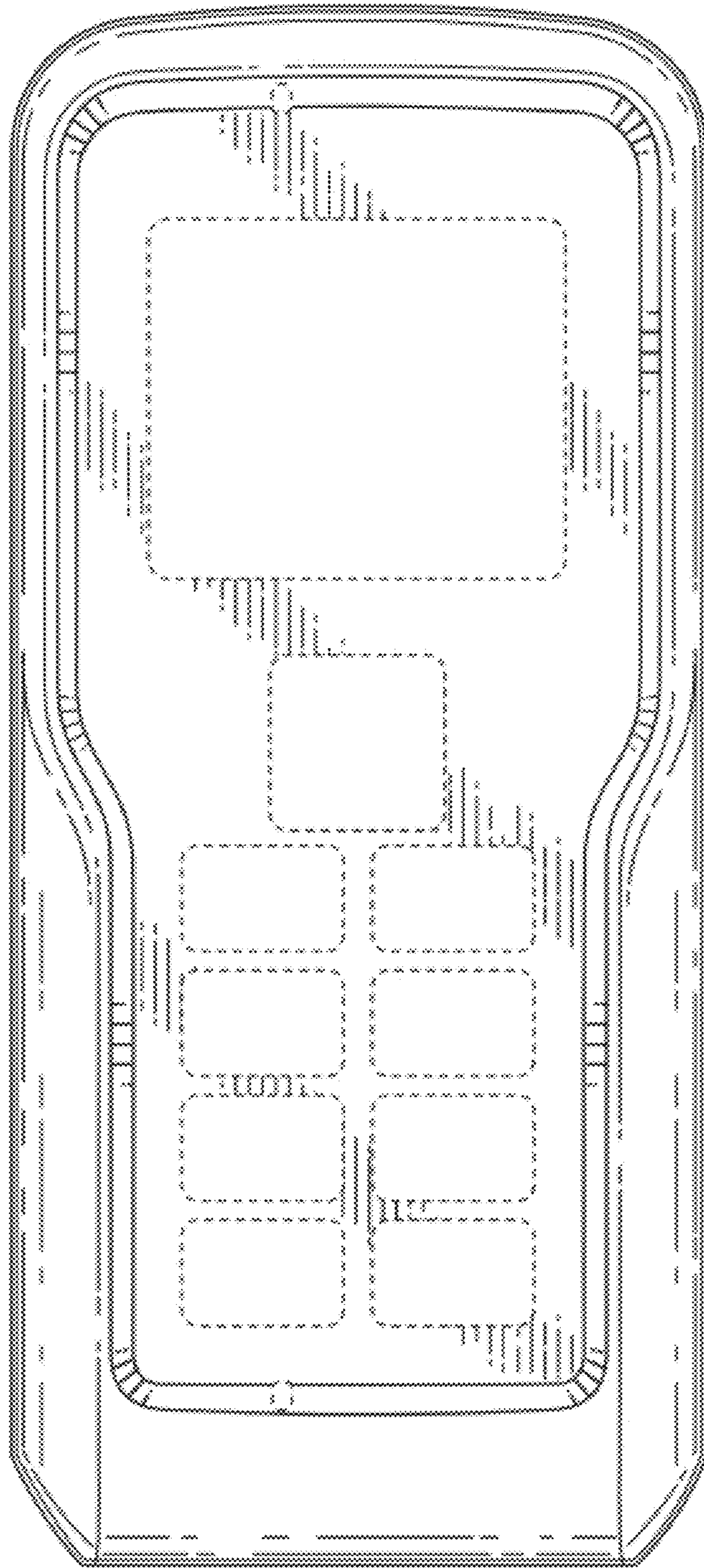


FIG. 40



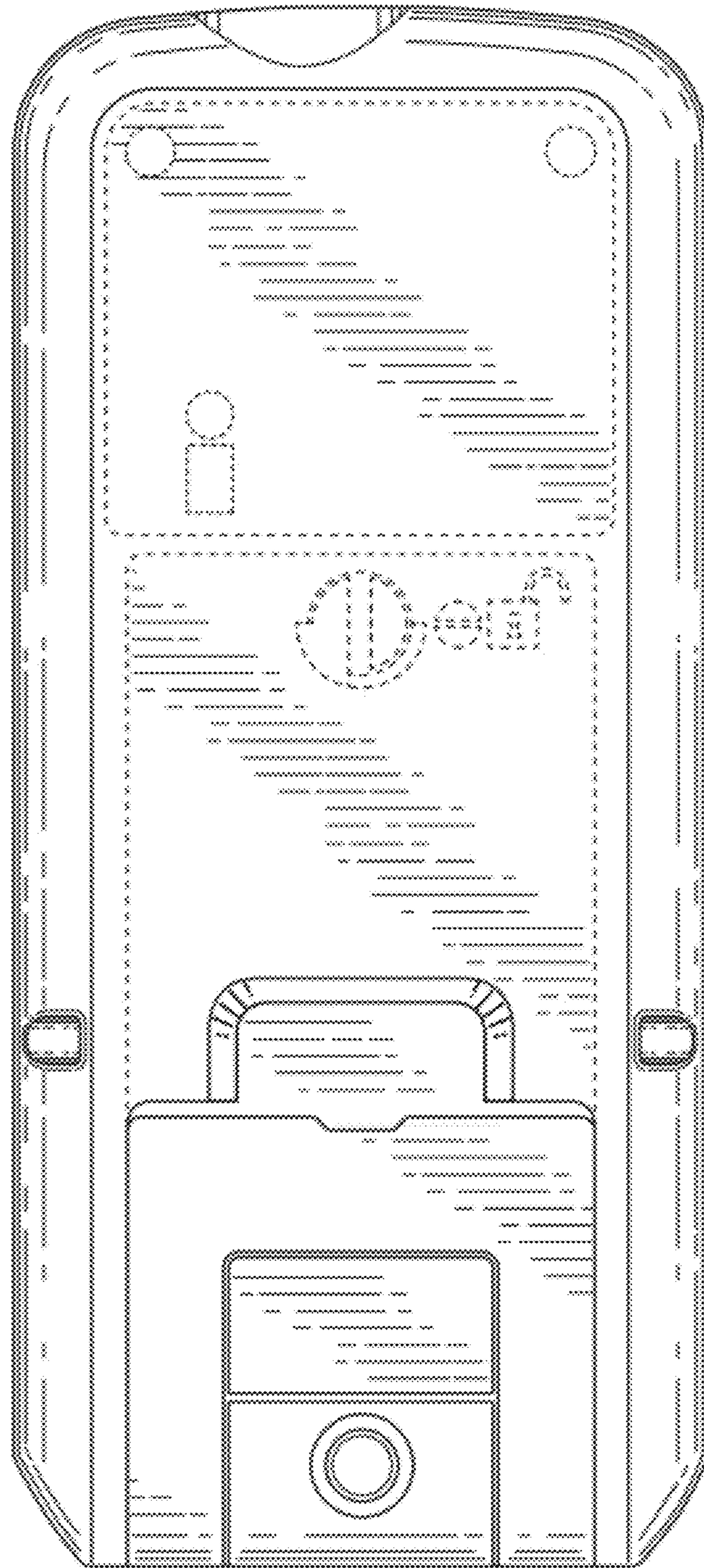


FIG. 41

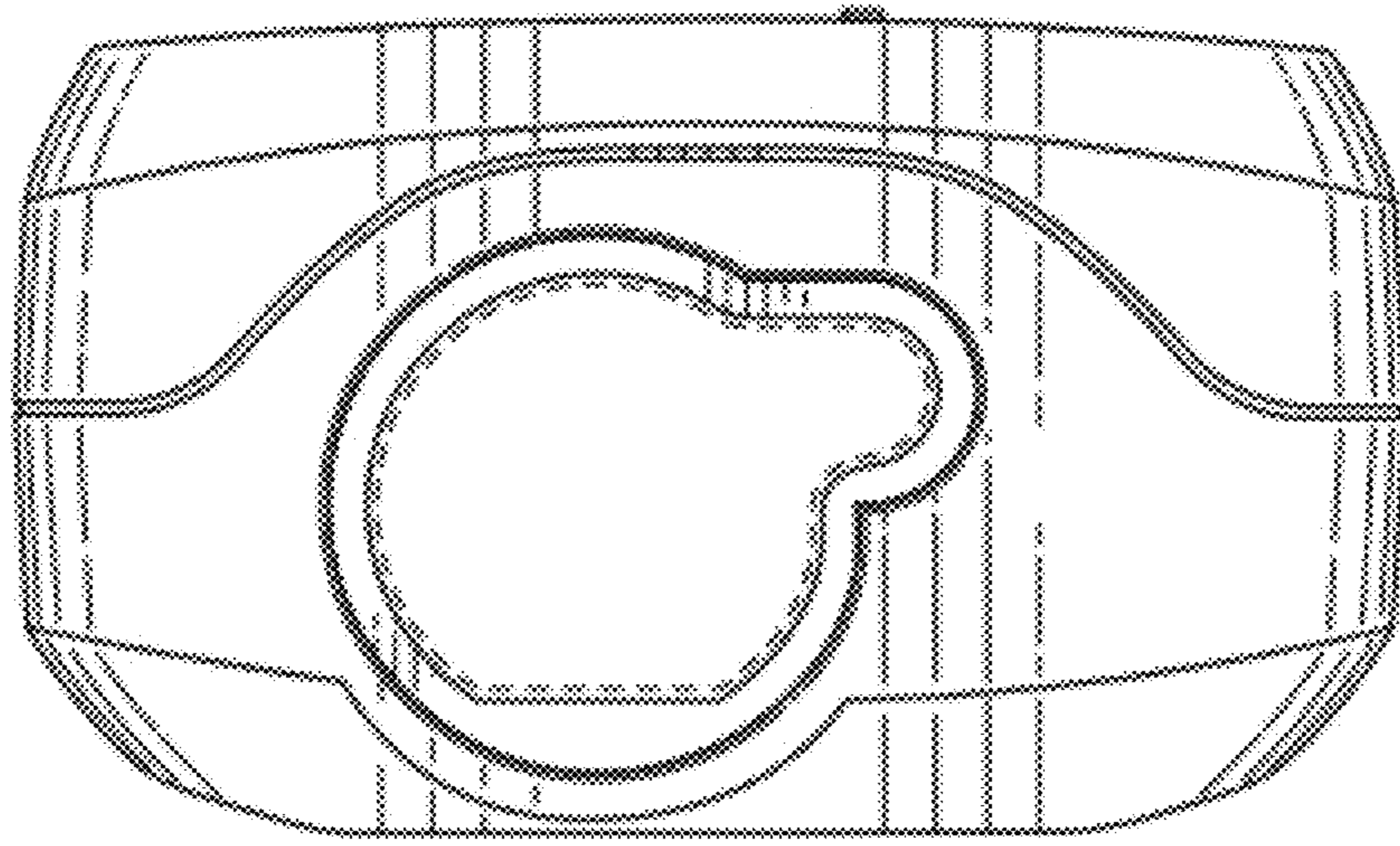


FIG. 42

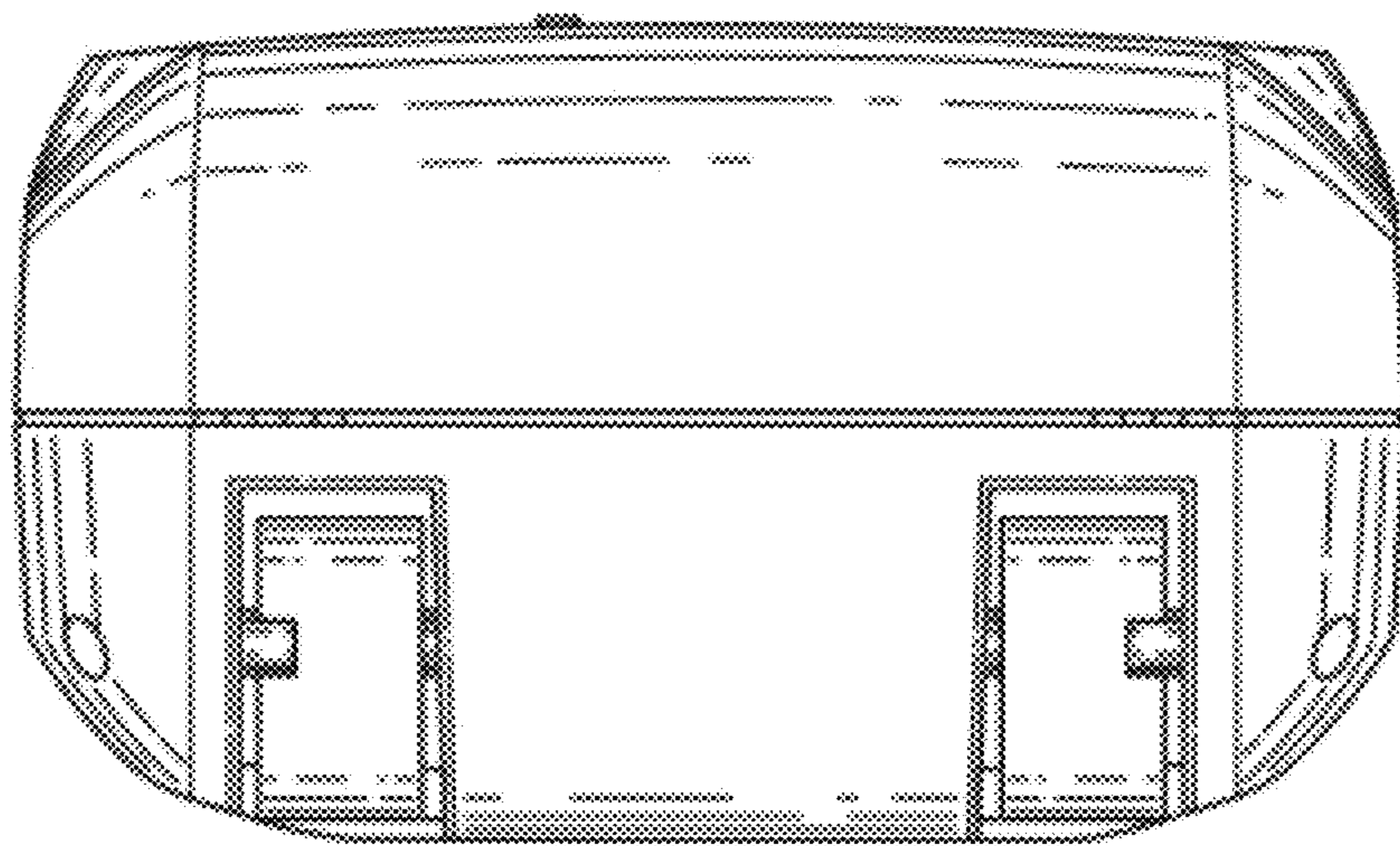


FIG. 43



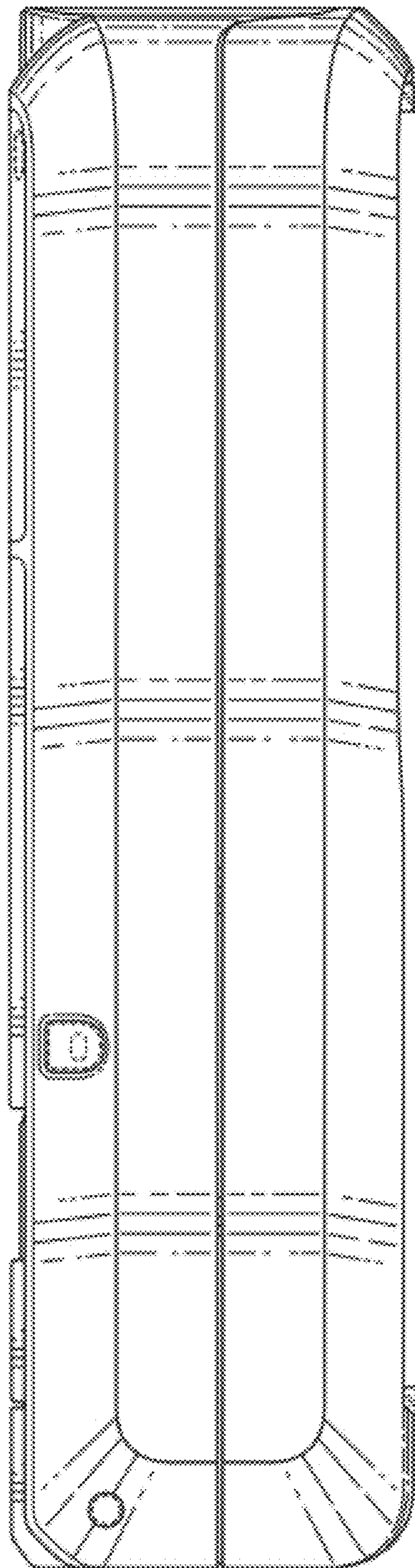


FIG. 44



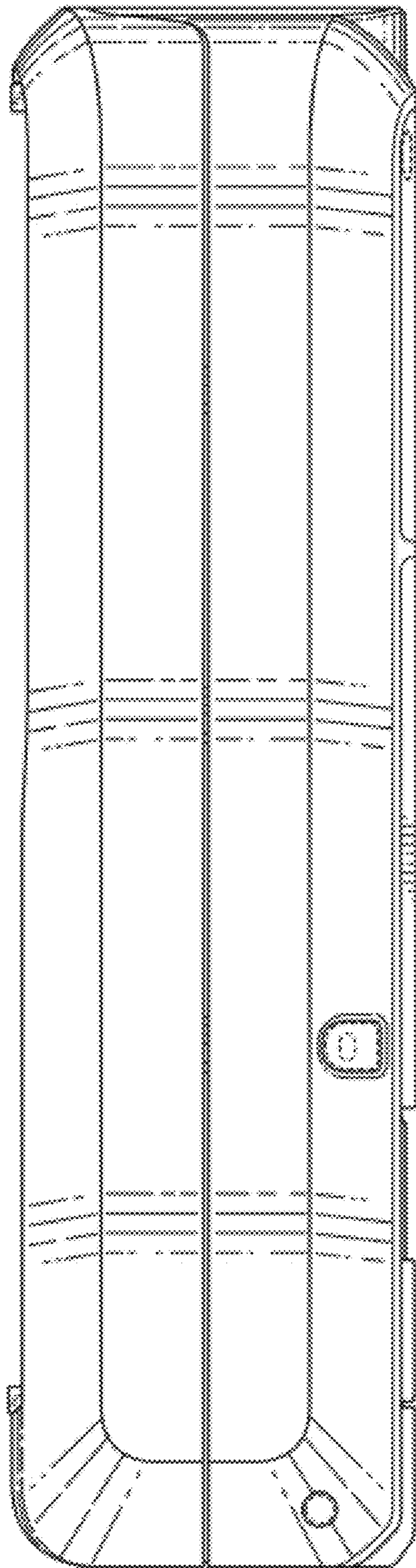


FIG. 45

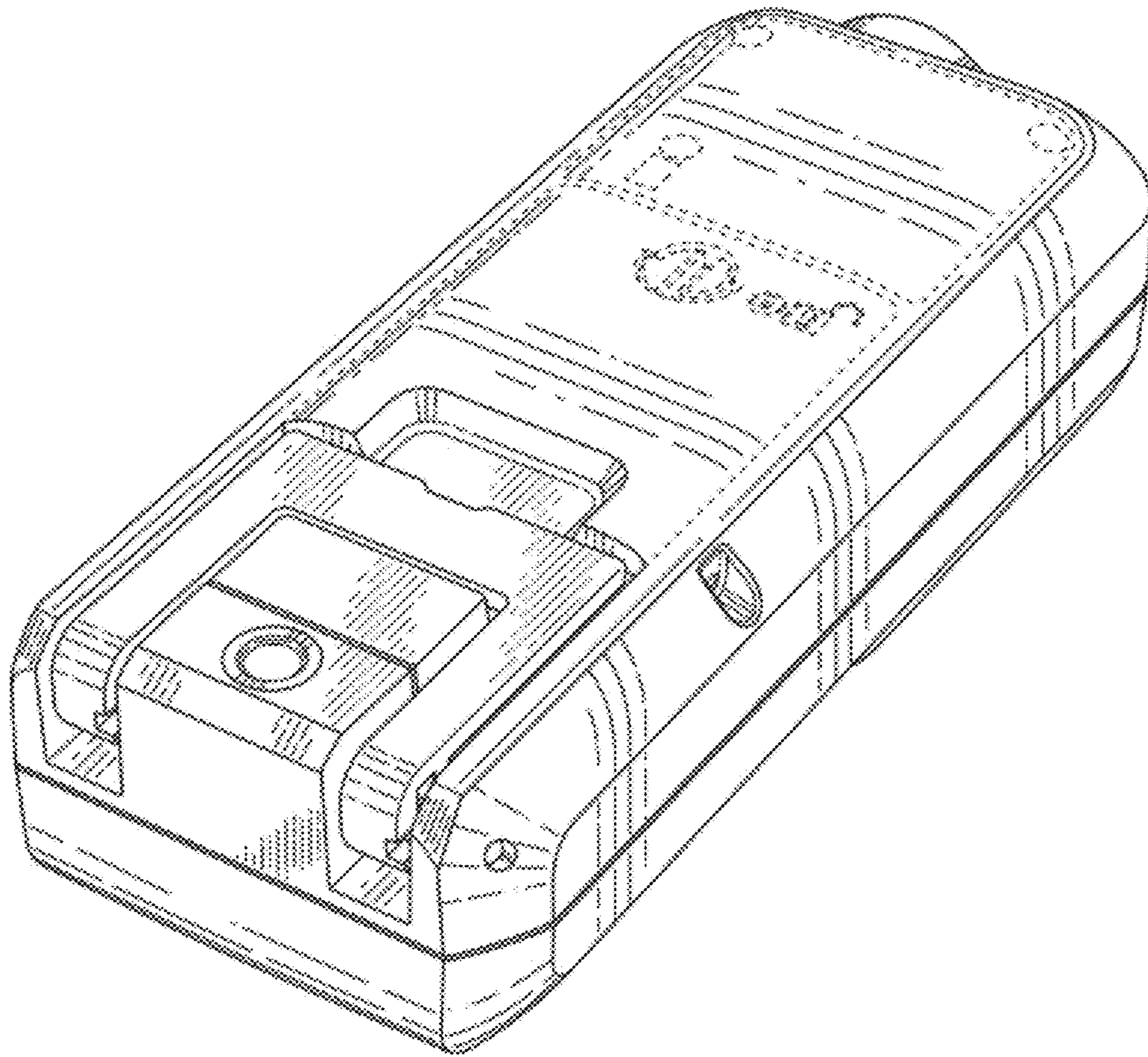


FIG. 46

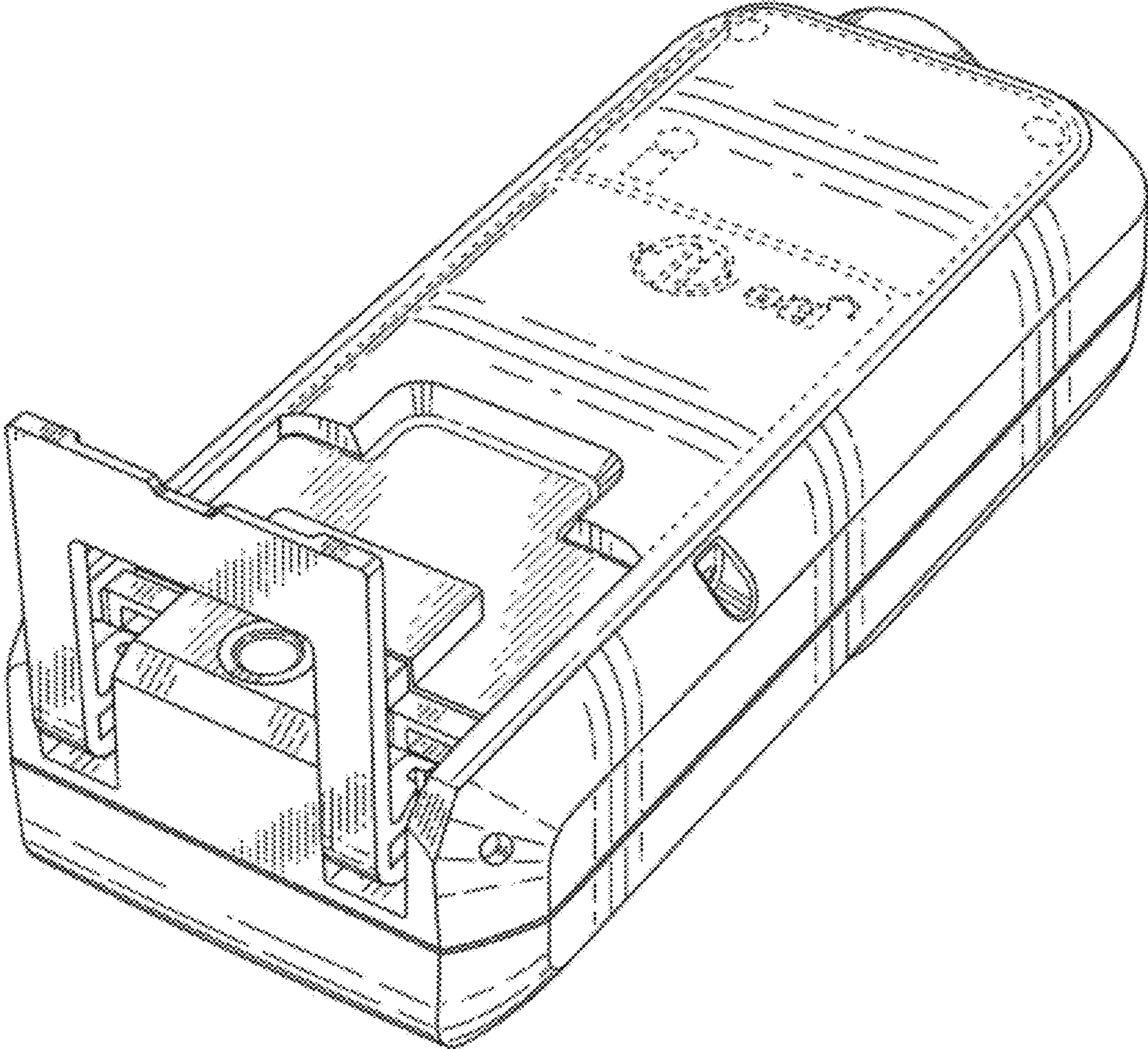


FIG. 47



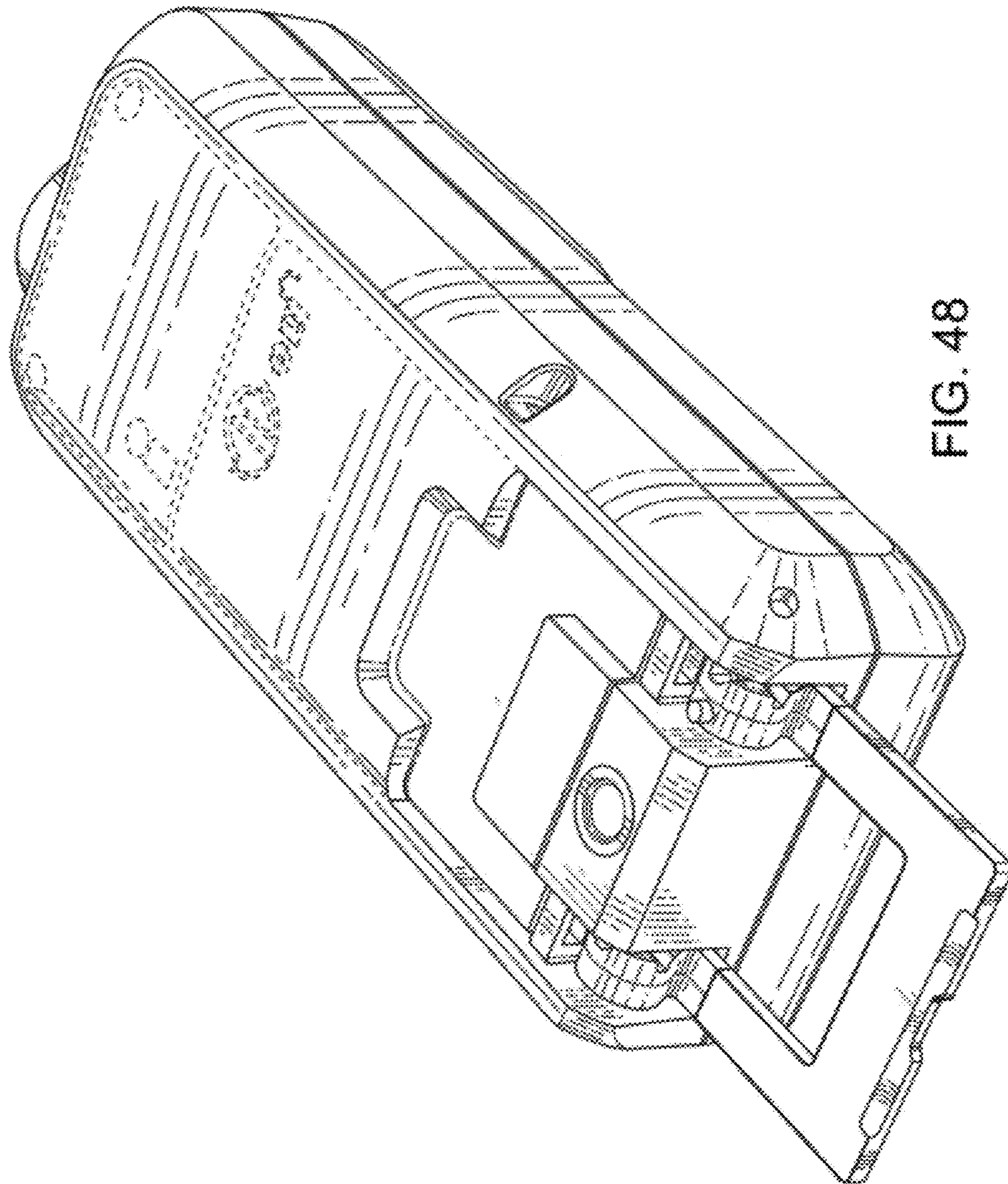


FIG. 48

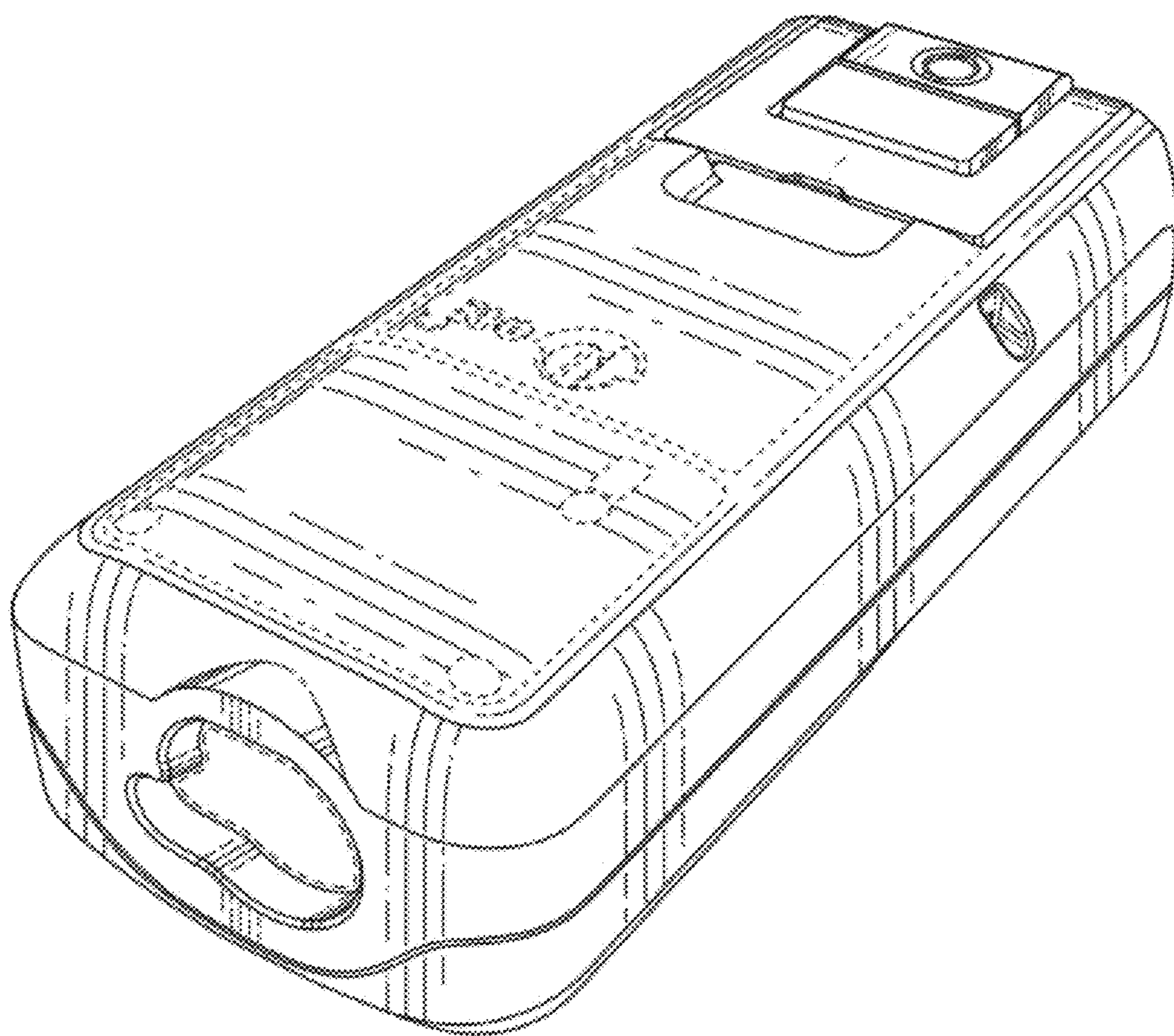


FIG. 49



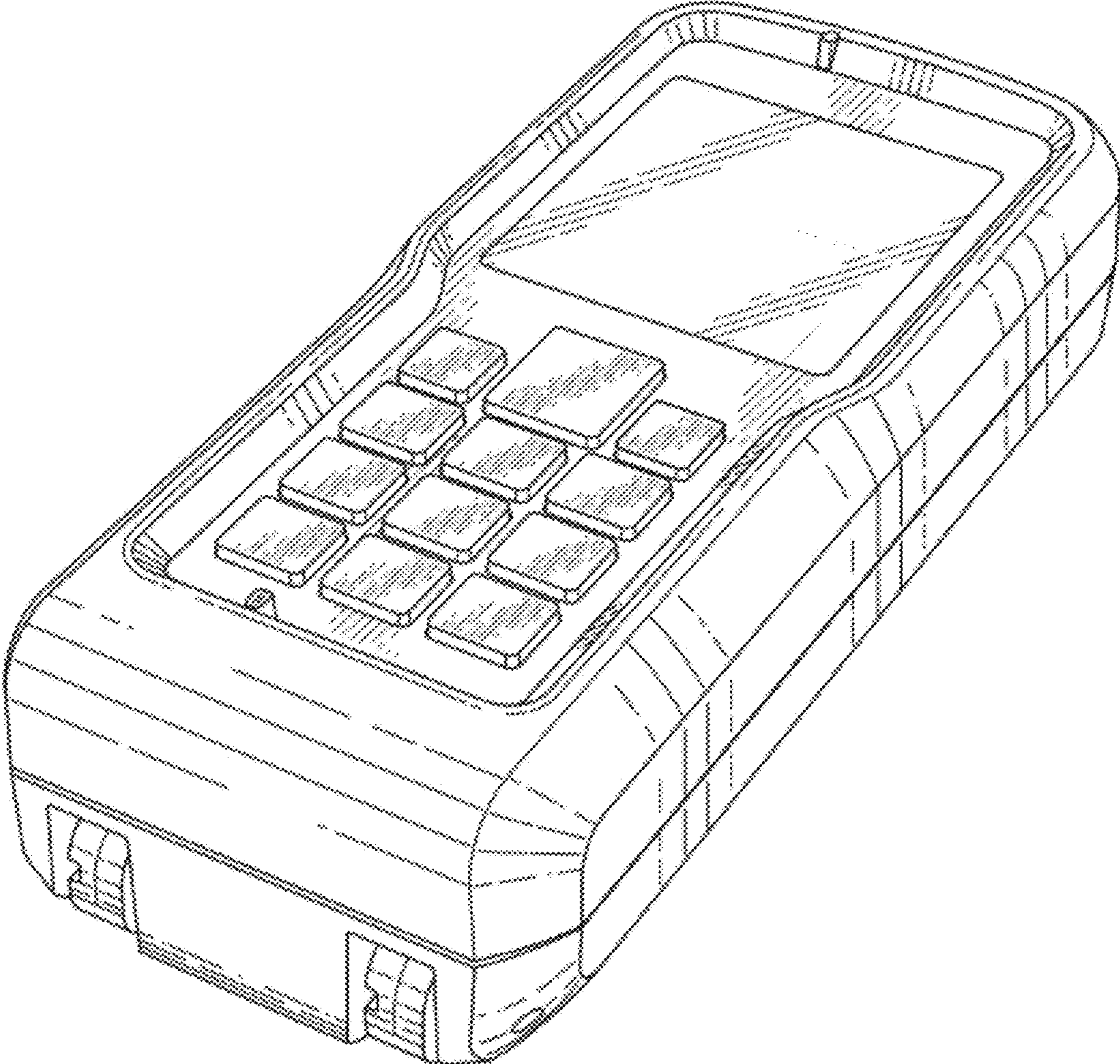


FIG. 50



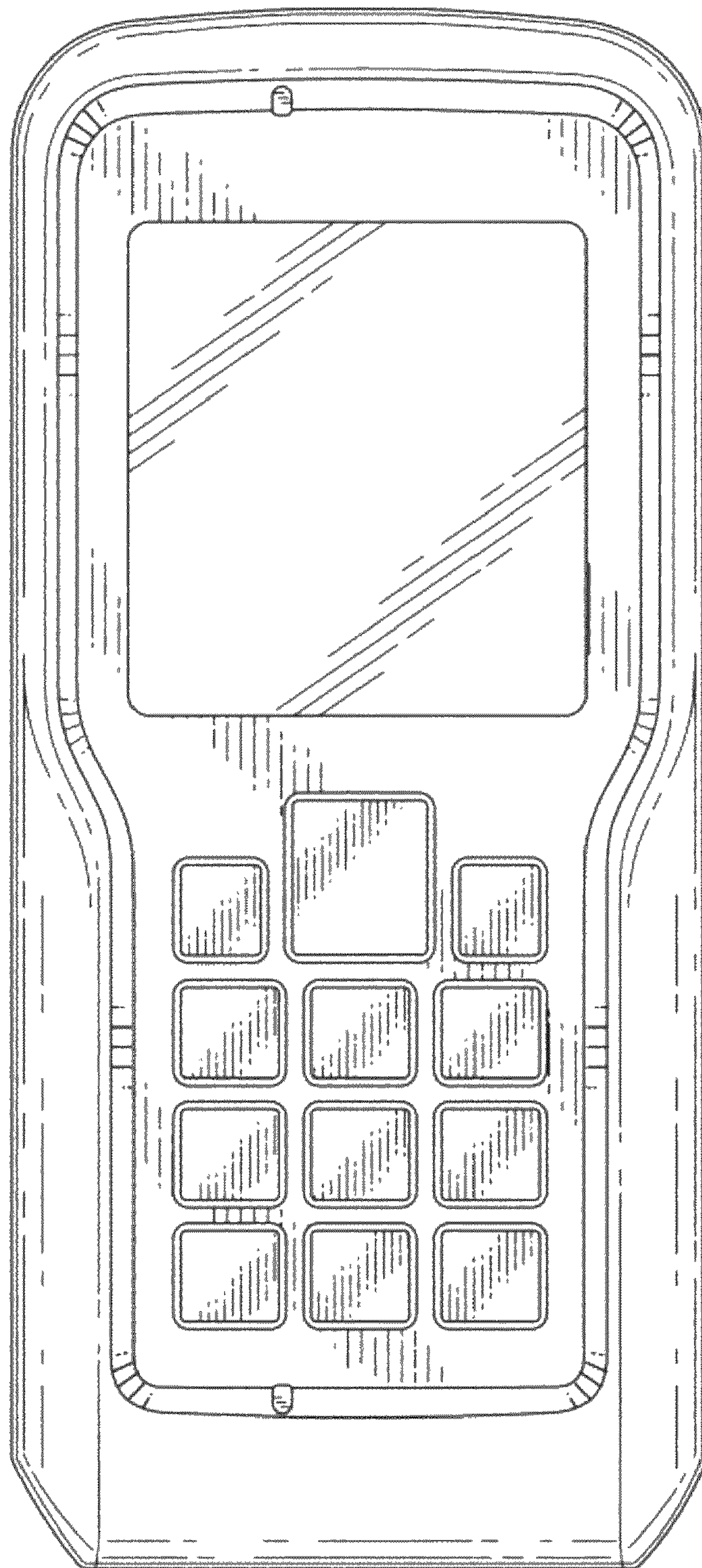


FIG. 51

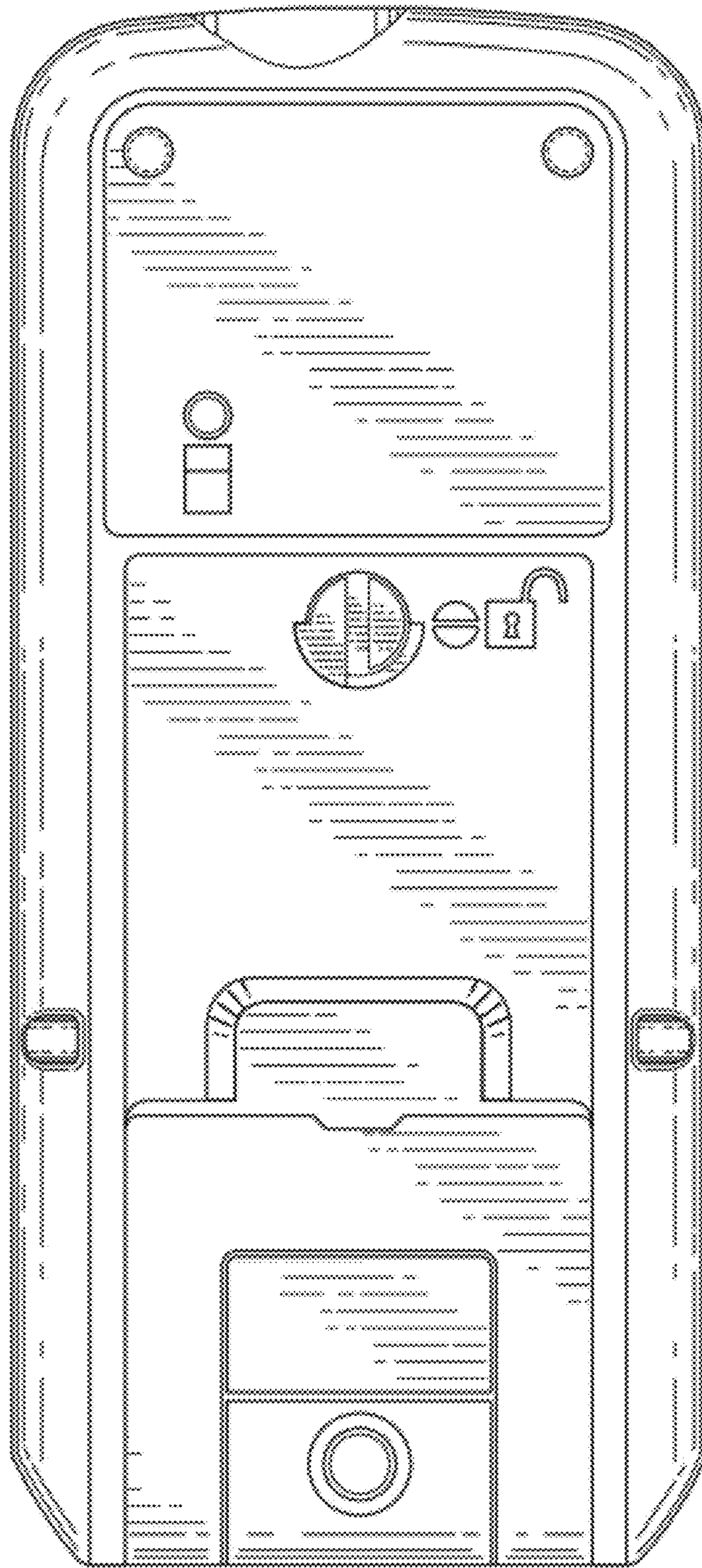


FIG. 52



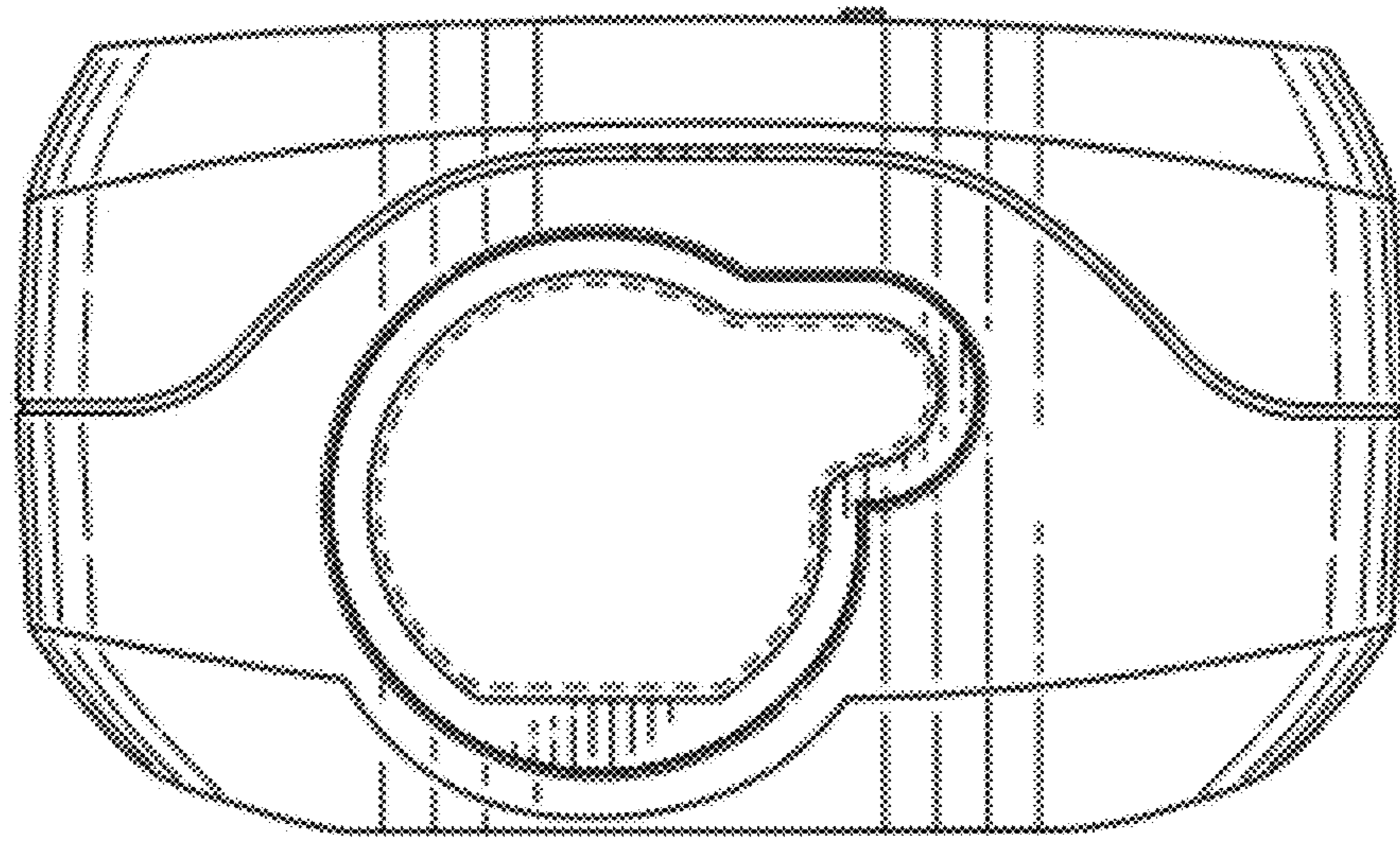


FIG. 53

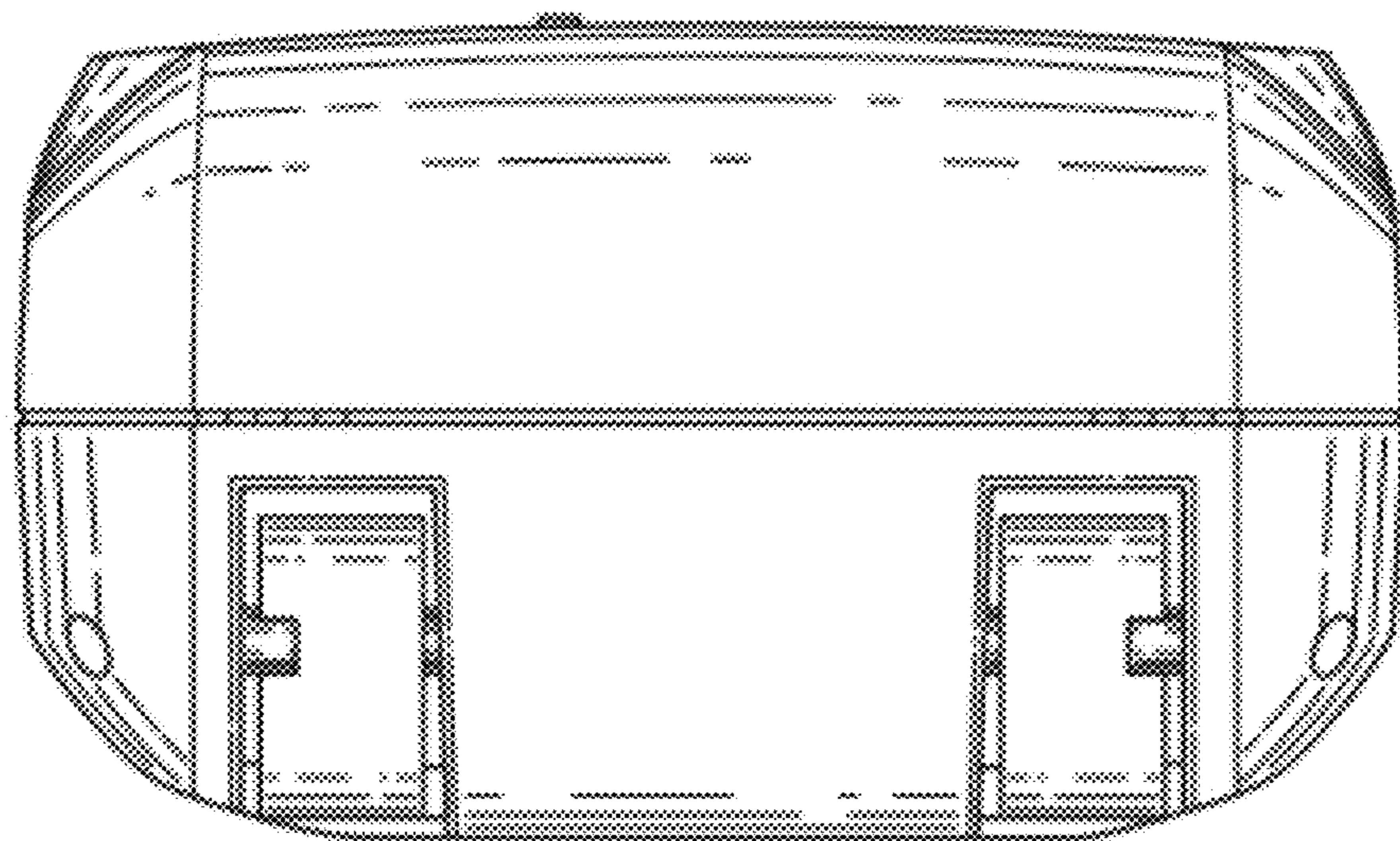


FIG. 54



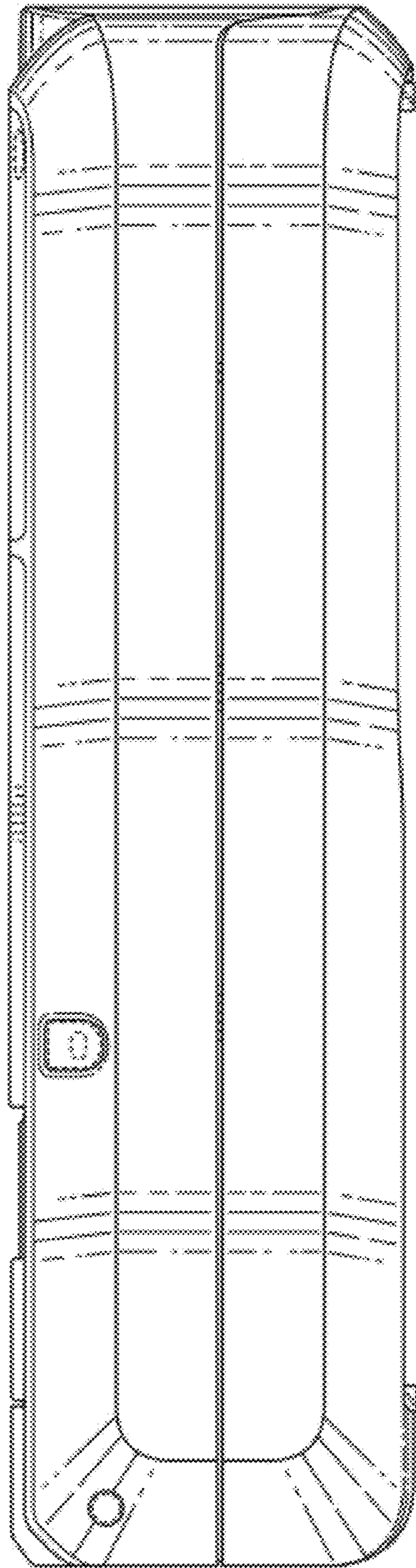


FIG. 55

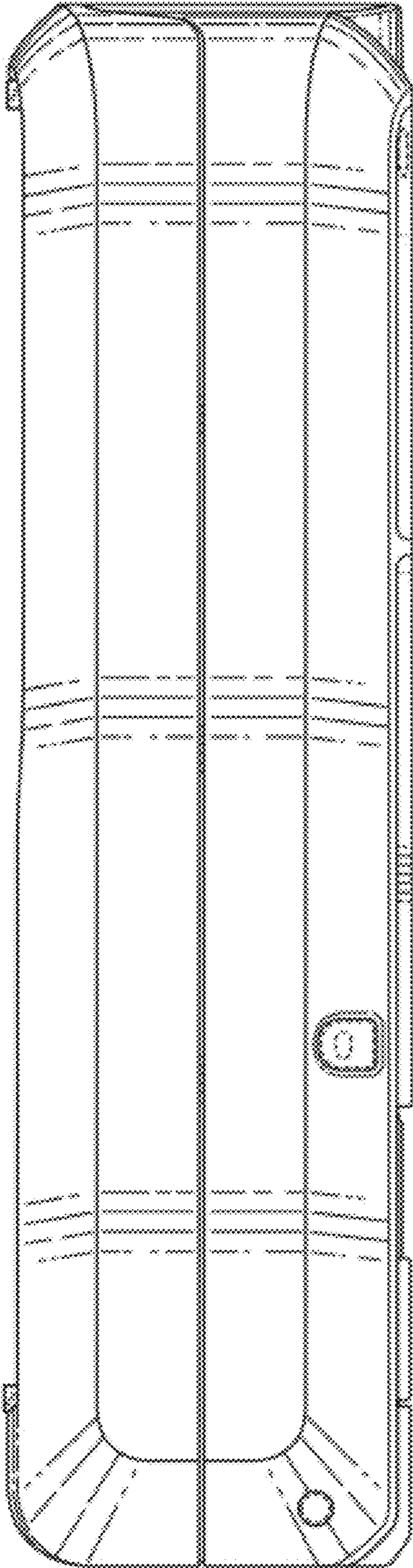


FIG. 56

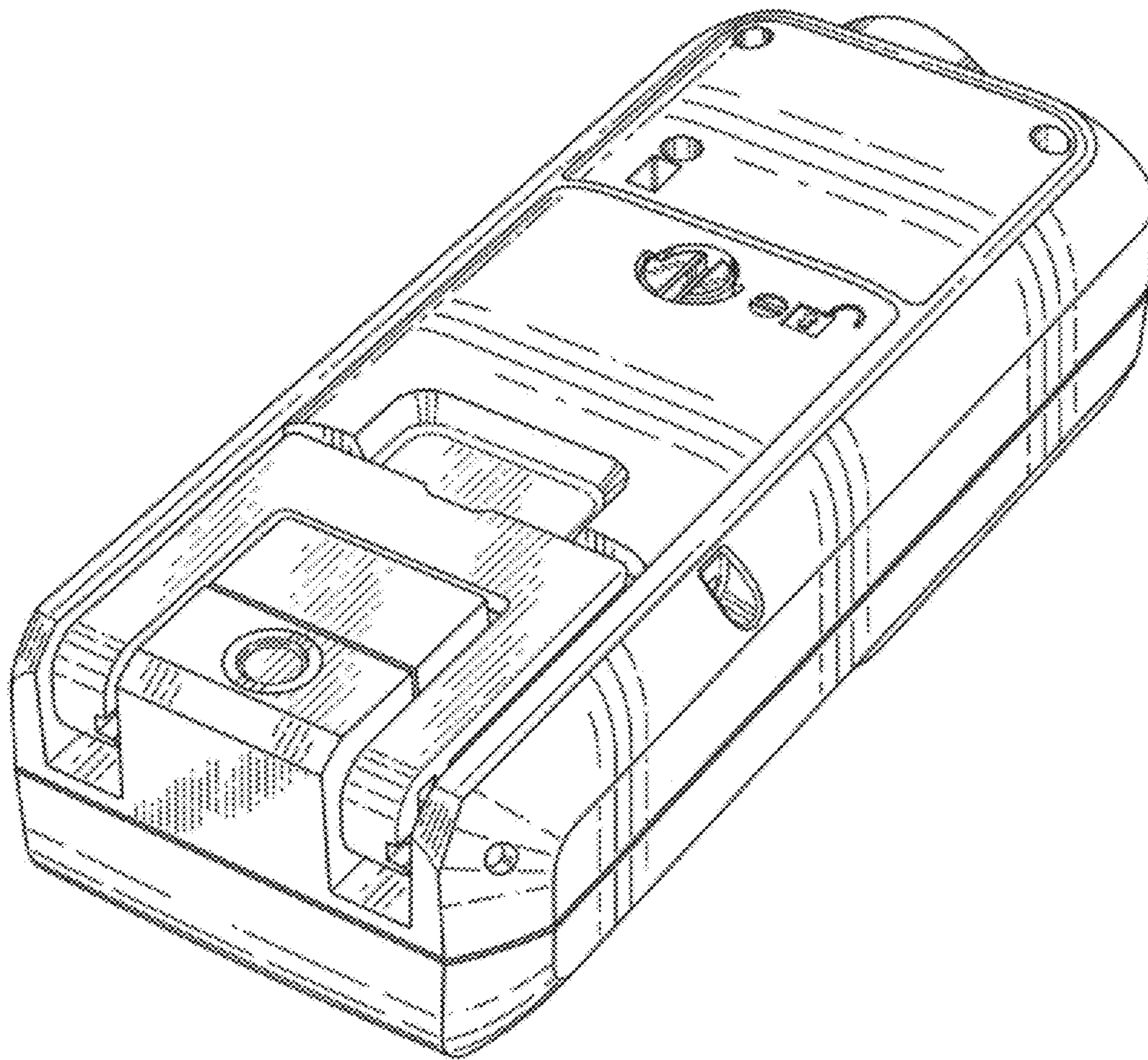


FIG. 57



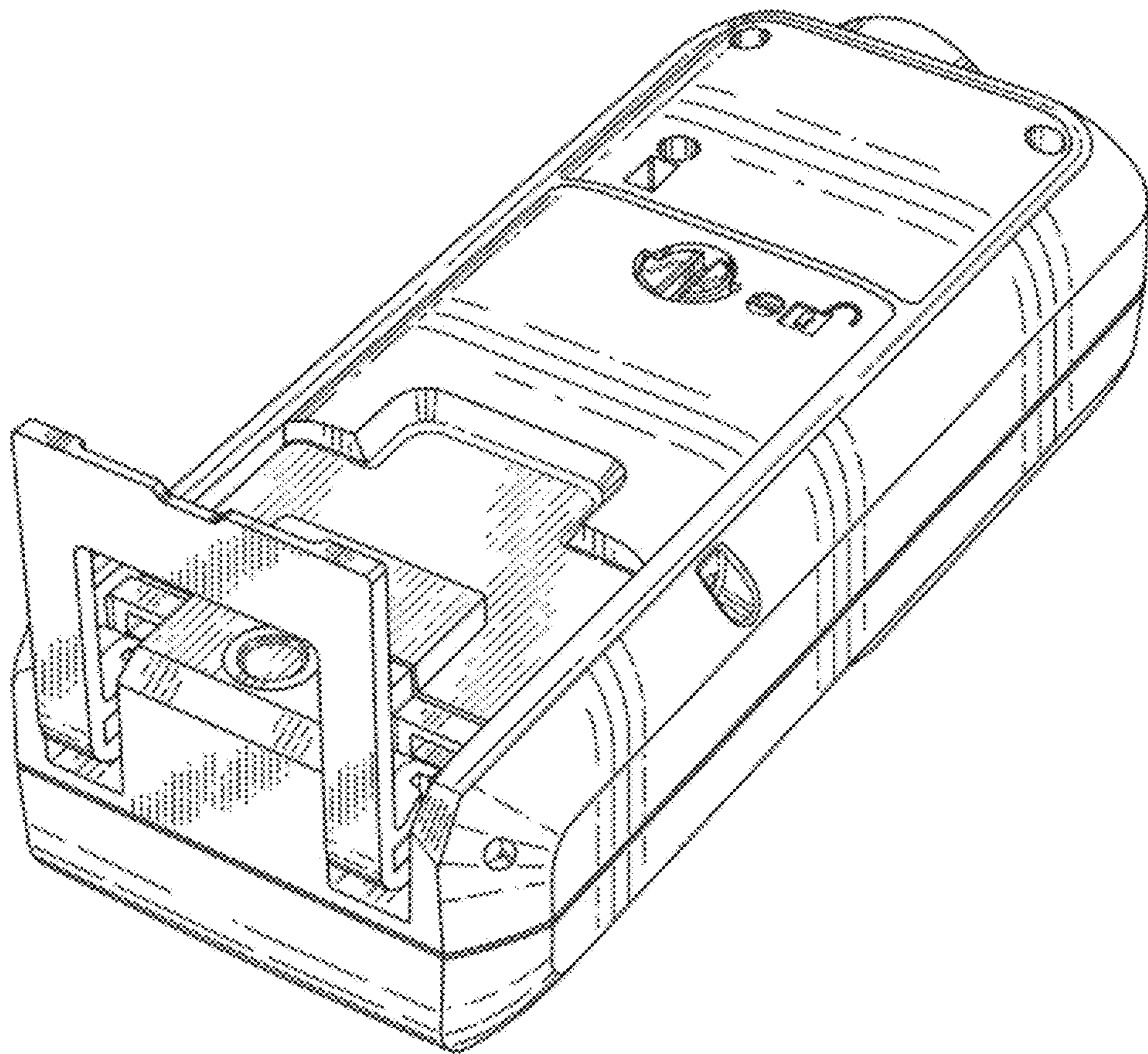


FIG. 58

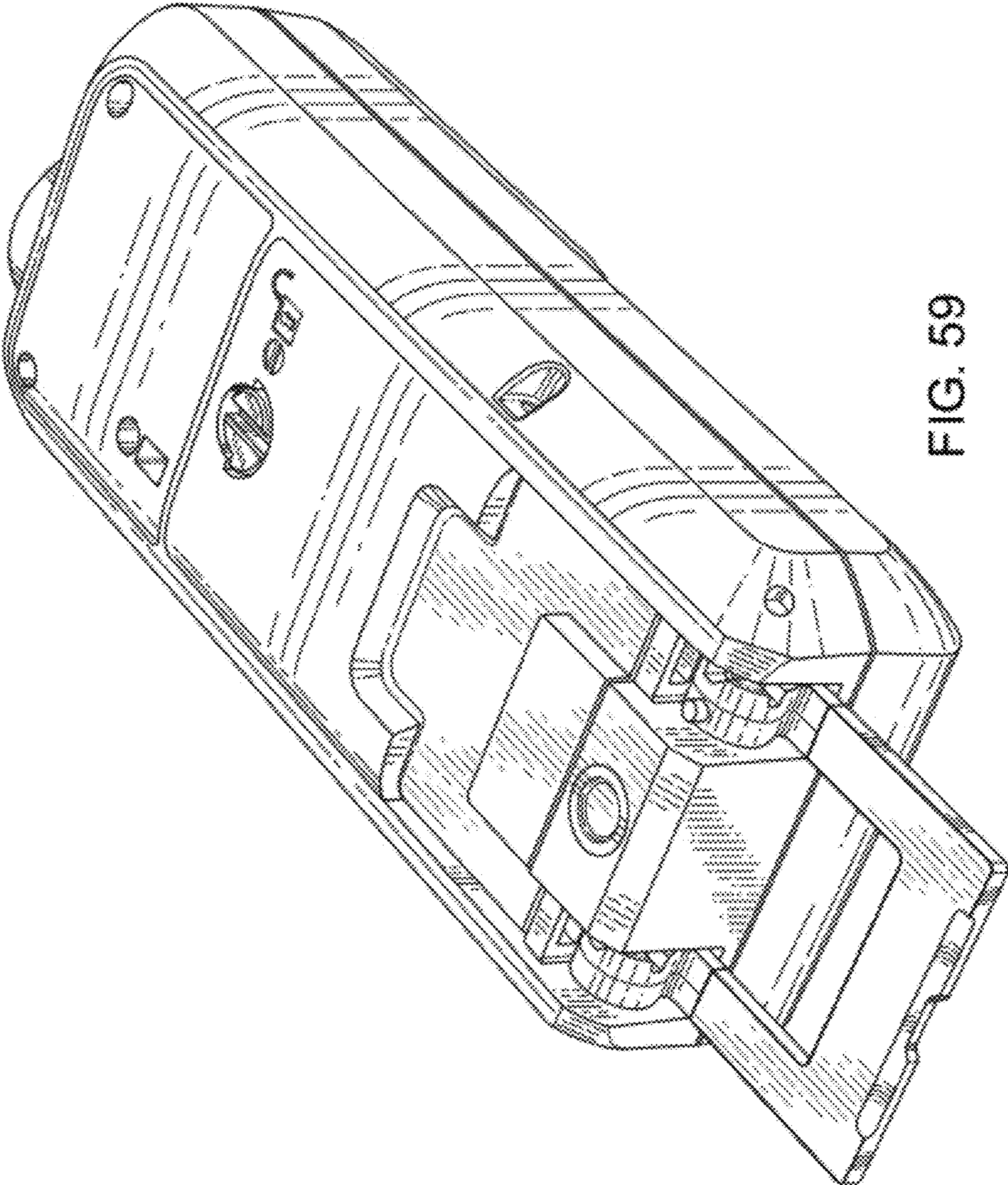


FIG. 59