



US00D673049S

(12) **United States Design Patent**
Kopulos et al.

(10) **Patent No.:** **US D673,049 S**

(45) **Date of Patent:** **** Dec. 25, 2012**

(54) **CONTAINER**

(75) Inventors: **Christopher Robert Kopulos**,
Cincinnati, OH (US); **Brian David**
Andres, Harrison, OH (US)

(73) Assignee: **The Procter & Gamble Company**,
Cincinnati, OH (US)

(**) Term: **14 Years**

(21) Appl. No.: **29/404,253**

(22) Filed: **Oct. 18, 2011**

Related U.S. Application Data

(62) Division of application No. 29/354,855, filed on Jan.
29, 2010, now Pat. No. Des. 656,402.

(51) **LOC (9) Cl.** **09-01**

(52) **U.S. Cl.** **D9/529; D9/543; D9/564; D9/575**

(58) **Field of Classification Search** D9/516,
D9/529, 530, 537-546, 550-551, 563, 564,
D9/574-575, 535, 549, 435, 446-447, 449;
D7/602, 612, 703, 705, 392.1; 215/381-385;
220/660, 669-670, 675; D3/201, 273, 294,
D3/302, 318; D28/76, 82
See application file for complete search history.

(56) **References Cited**

U.S. PATENT DOCUMENTS

D49,292 S *	6/1916	West	D30/101
D49,555 S *	8/1916	Vivaudou	D9/435
D73,643 S *	10/1927	Crimmel	D9/569
3,231,155 A *	1/1966	McConnell	222/482
D214,263 S *	5/1969	McConnell	D9/450
D254,714 S	4/1980	Mascia et al.		

(Continued)

FOREIGN PATENT DOCUMENTS

CA 101564 3/2004

(Continued)

OTHER PUBLICATIONS

U.S. Appl. No. 29/341,567, filed Aug. 7, 2009, Chris Van den
Wouwer et al.

(Continued)

Primary Examiner — Carol P Rademaker

(74) *Attorney, Agent, or Firm* — Melissa G. Krasovec;
Leonard W. Lewis

(57) **CLAIM**

The ornamental design for a container, as shown and
described.

DESCRIPTION

FIG. 1 is a top side perspective view of a container embodying
our new design;

FIG. 2 is a back side perspective view of the container;

FIG. 3 is a front view of the further embodiment of the
container;

FIG. 4 is a back view of the further embodiment of the
container;

FIG. 5 is a left view of the further embodiment of the con-
tainer;

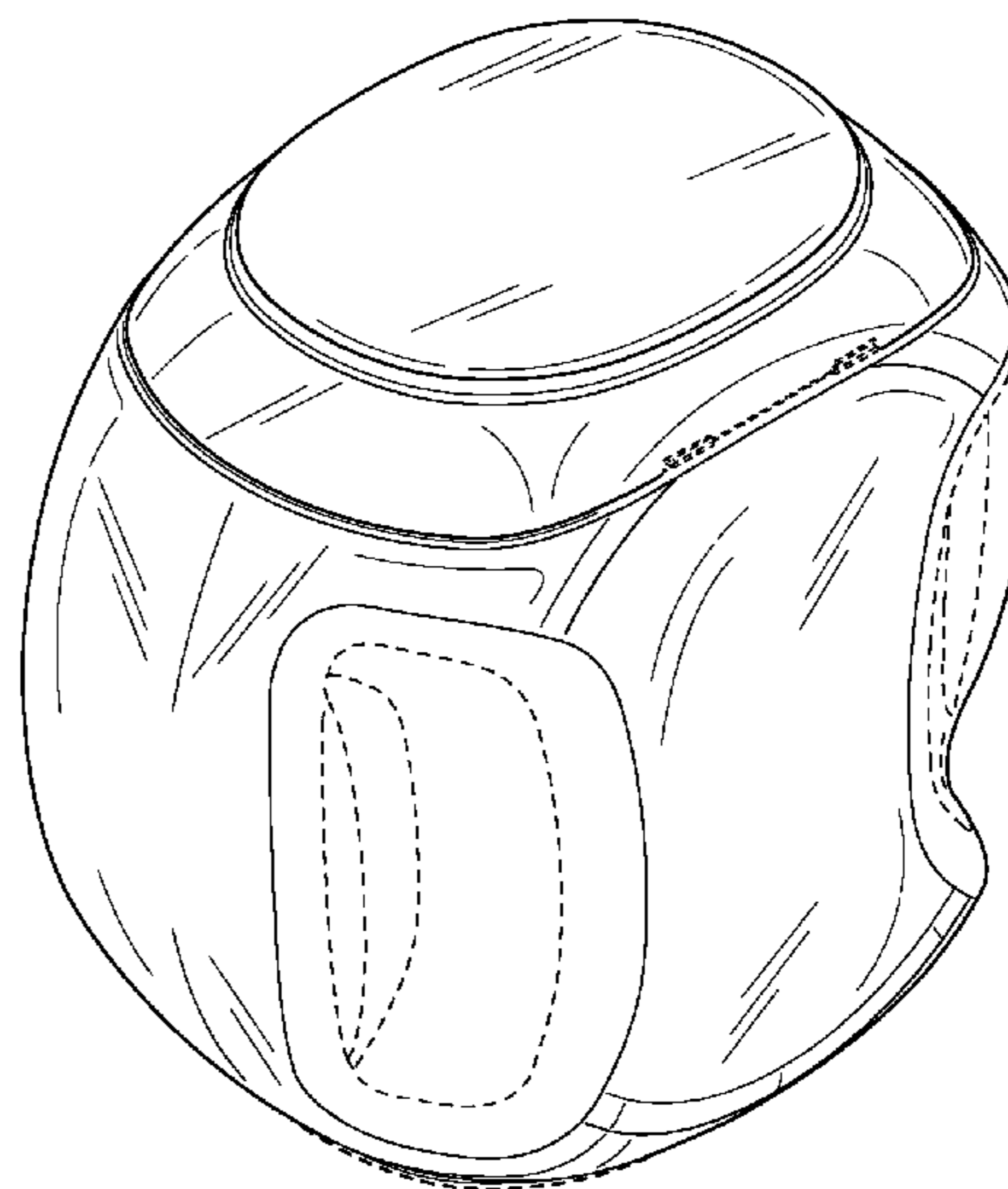
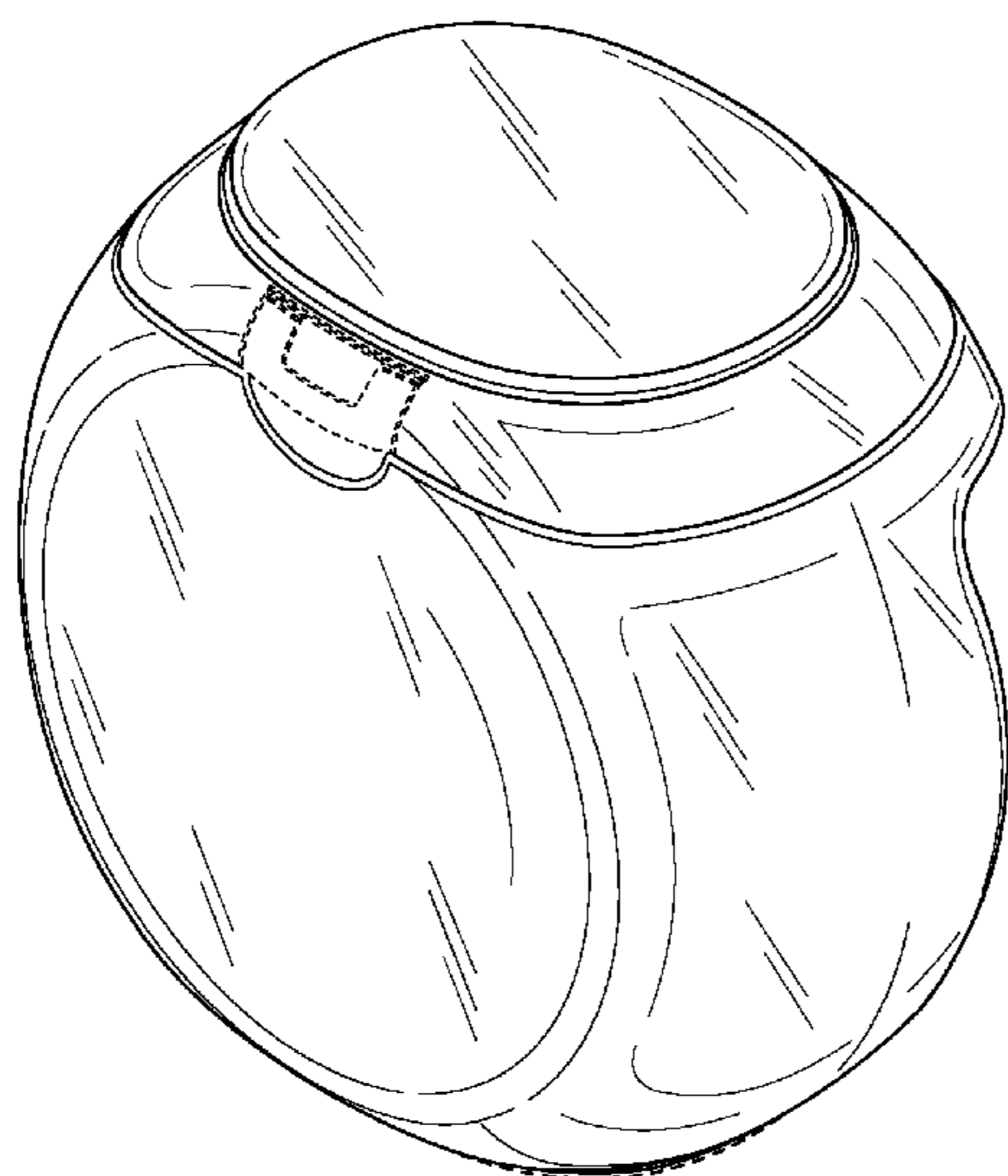
FIG. 6 is a right view of the further embodiment of the
container;

FIG. 7 is a top view of a portion of the container embodying
our new design; and,

FIG. 8 is a bottom view of the portion of the container.

The broken line showing of the bottom surface in the FIG. 8
drawing view is included for the purpose of illustrating envi-
ronmental structure and forms no part of the claimed design.
The oblique shade lines shown in the drawings represent a
reflective or polished surface.

1 Claim, 4 Drawing Sheets



US D673,049 S

Page 2

U.S. PATENT DOCUMENTS

D254,716 S 4/1980 Mascia et al.
D259,292 S * 5/1981 Conrad D30/101
D281,673 S 12/1985 Lampe
D295,090 S * 4/1988 Sheridan D30/101
D306,406 S 3/1990 Pierce et al.
D319,581 S 9/1991 Halm
D319,583 S 9/1991 Halm et al.
D370,834 S 6/1996 Hartman
D389,067 S * 1/1998 Lown D9/543
D462,270 S 9/2002 Renz
D473,142 S 4/2003 Beaver
D475,288 S 6/2003 Hoffmann et al.
D480,974 S * 10/2003 Blank D9/543
D507,184 S 7/2005 Beaver et al.
D509,438 S * 9/2005 Woerz D9/563
D510,461 S * 10/2005 Vu D28/66
D527,999 S * 9/2006 Jelich et al. D9/449
D529,802 S * 10/2006 Jelich et al. D9/449
D530,204 S * 10/2006 Zaidman D9/449
D541,662 S * 5/2007 Little et al. D9/543
D542,664 S * 5/2007 Mayers D9/529
D550,077 S 9/2007 Lagreca et al.
D553,983 S * 10/2007 Bunce et al. D9/447 X
D559,116 S * 1/2008 Bates et al. D9/564 X
D560,488 S 1/2008 Rust et al.
D568,739 S 5/2008 Darr
D572,535 S 7/2008 El-Ghouyel et al.
D576,883 S 9/2008 Carapelli
D581,288 S 11/2008 Villalobos
D584,154 S 1/2009 Fitzsimmons et al.
D585,303 S 1/2009 Fitzsimmons et al.
D586,222 S 2/2009 Little et al.

D586,223 S 2/2009 Little et al.
D587,587 S * 3/2009 Schwartz et al. D9/529
D588,088 S 3/2009 Mitchell
D588,459 S * 3/2009 Davis et al. D9/529 X
D592,064 S 5/2009 Kilany
D601,899 S * 10/2009 Davis et al. D9/529 X
D604,168 S * 11/2009 El Ghouyel D9/564 X
D637,912 S * 5/2011 Van Den Wouwer et al. . D9/564
D644,102 S * 8/2011 Kopulos et al. D9/434

FOREIGN PATENT DOCUMENTS

CA	119729	2/2008
EM	001688128-0001	3/2010
EM	001688128-0002	3/2010
EM	001688128-0003	3/2010
EM	001688128-0004	3/2010
EM	001688128-0005	3/2010
EM	001688128-0006	3/2010
EM	001688128-0007	3/2010
EM	001688128-0008	3/2010

OTHER PUBLICATIONS

U.S. Appl. No. 29/354,867, filed Jan. 29, 2010, Kopulos et al.
U.S. Appl. No. 29/375,244, filed Sep. 20, 2010, Kopulos et al.
U.S. Appl. No. 29/375,263, filed Sep. 20, 2010, Kopulos et al.
U.S. Appl. No. 29/375,265, filed Sep. 20, 2010, Gonzalez, et al.
U.S. Appl. No. 29/375,274, filed Sep. 20, 2010, Gonzalez, et al.
U.S. Appl. No. 29/404,251, filed Oct. 18, 2011, Kopulos et al.
U.S. Appl. No. 29/404,255, filed Oct. 18, 2011, Kopulos et al.
U.S. Appl. No. 29/404,257, filed Oct. 18, 2011, Kopulos et al.

* cited by examiner

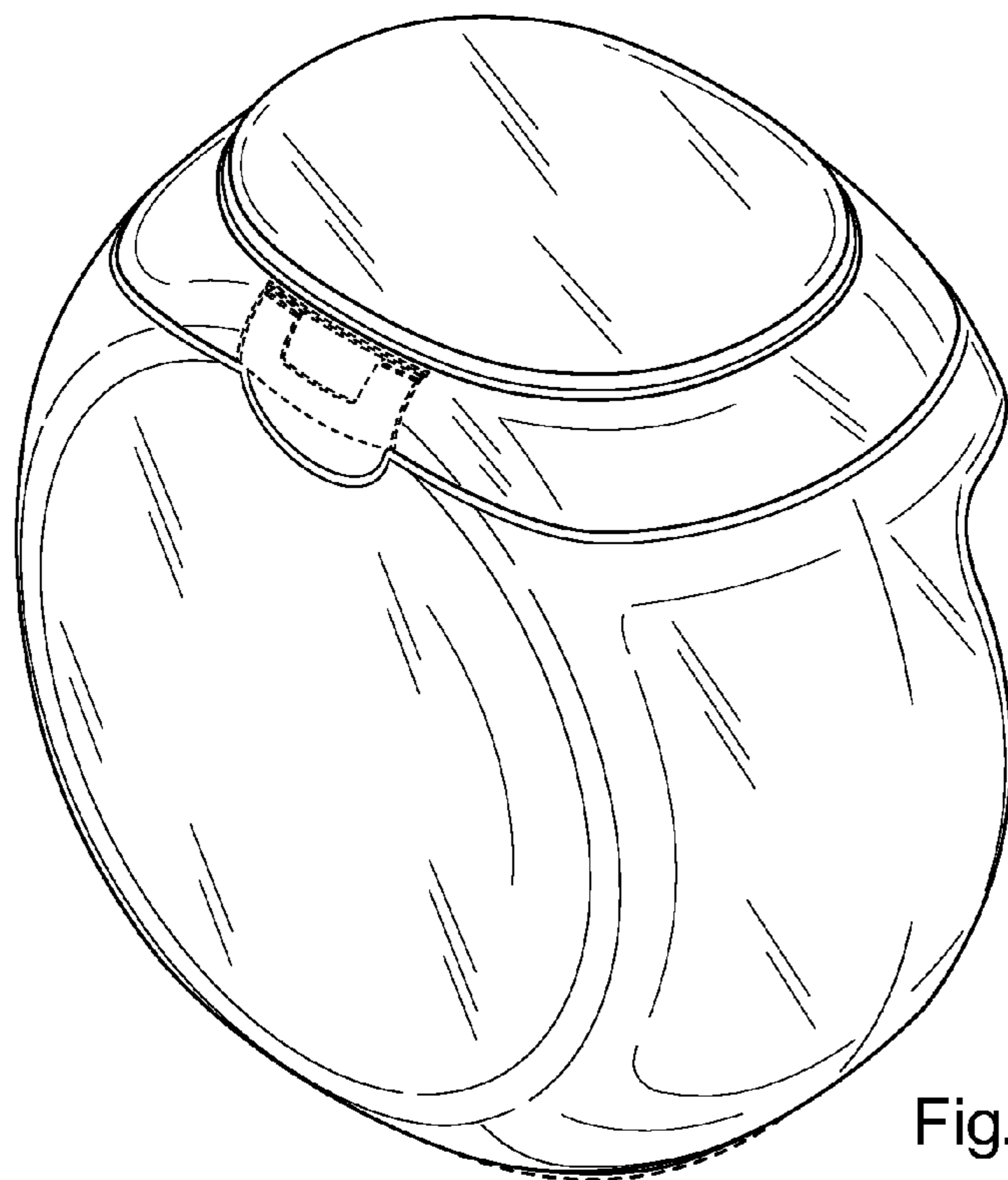


Fig. 1

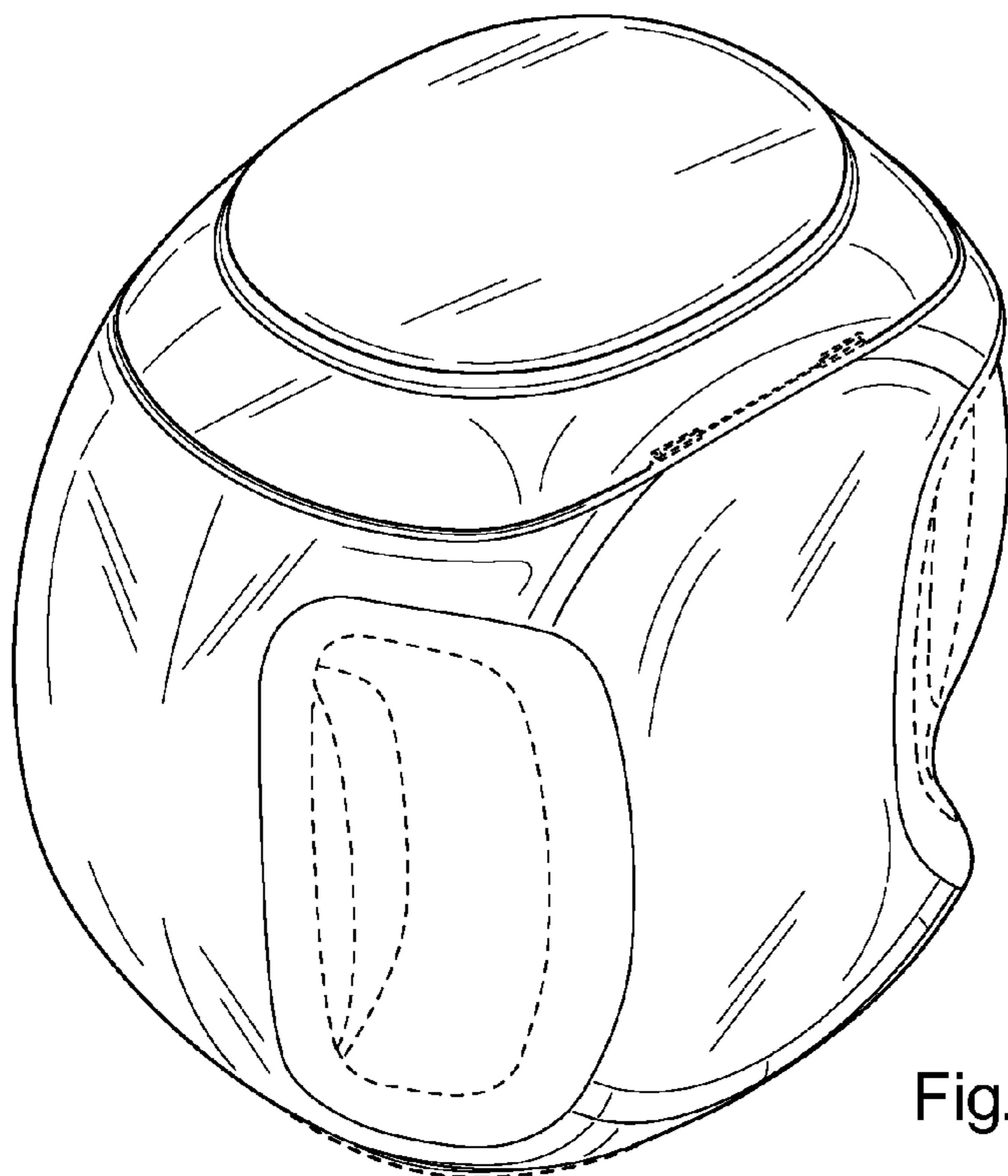


Fig. 2

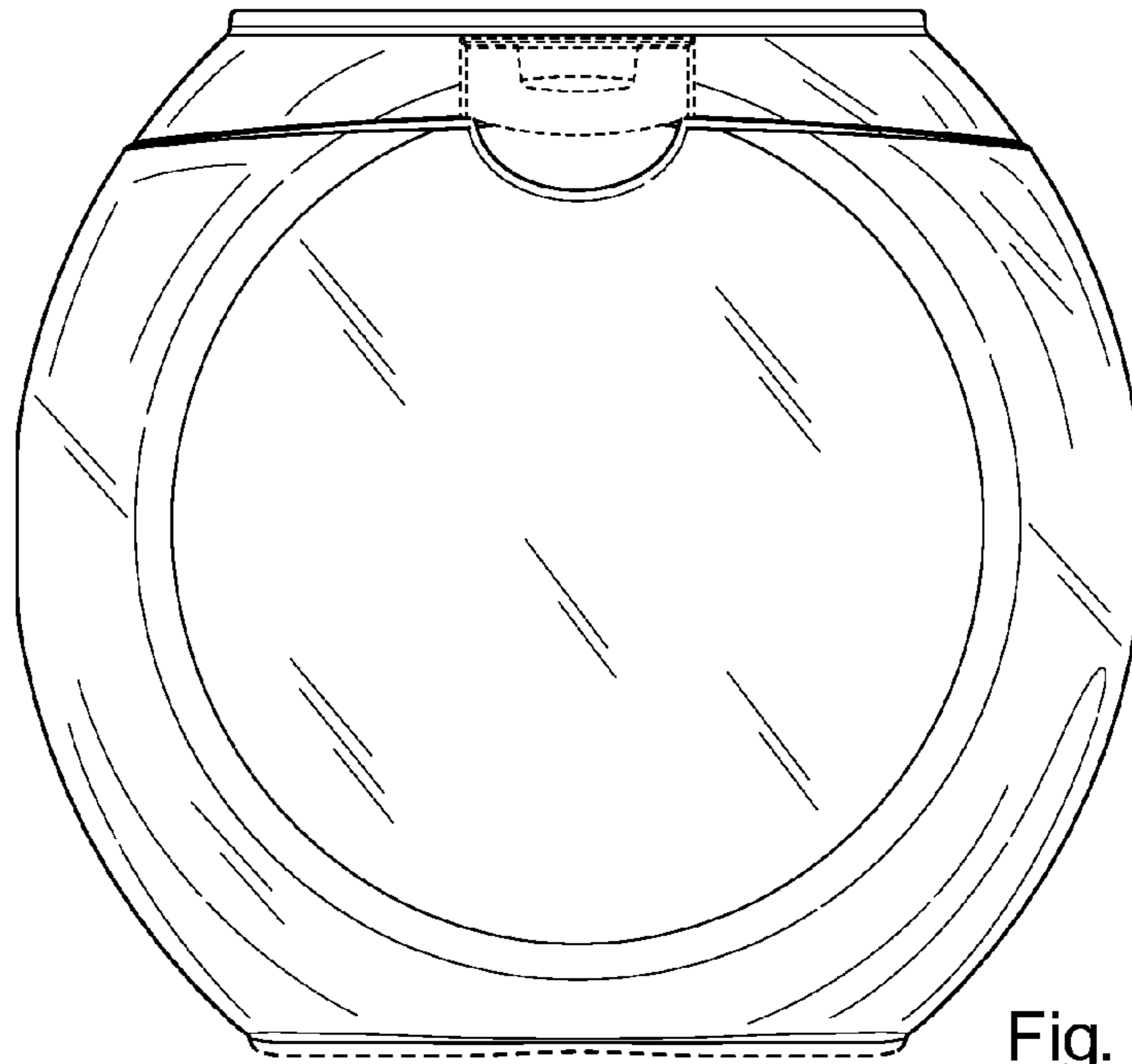


Fig. 3

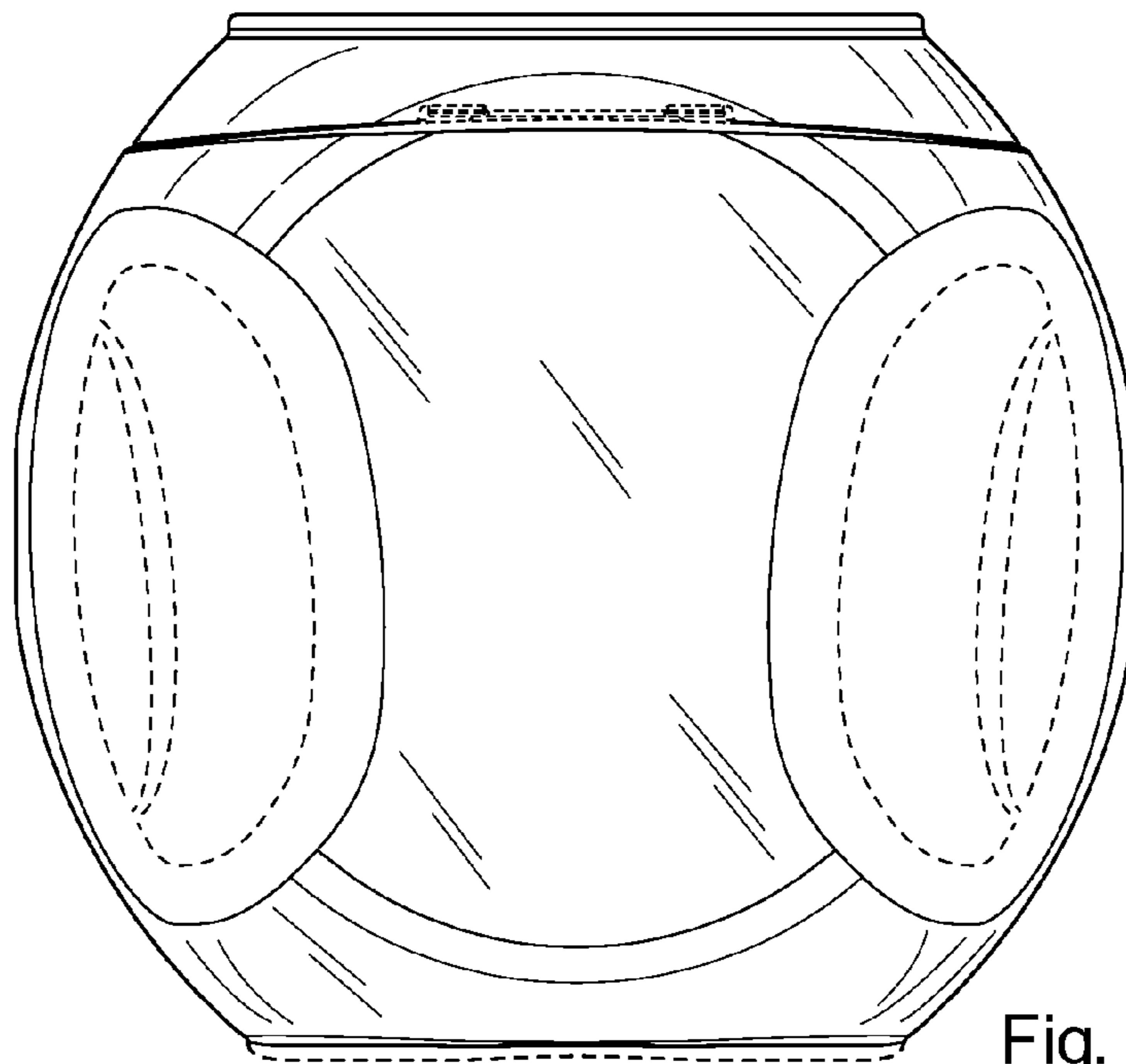


Fig. 4

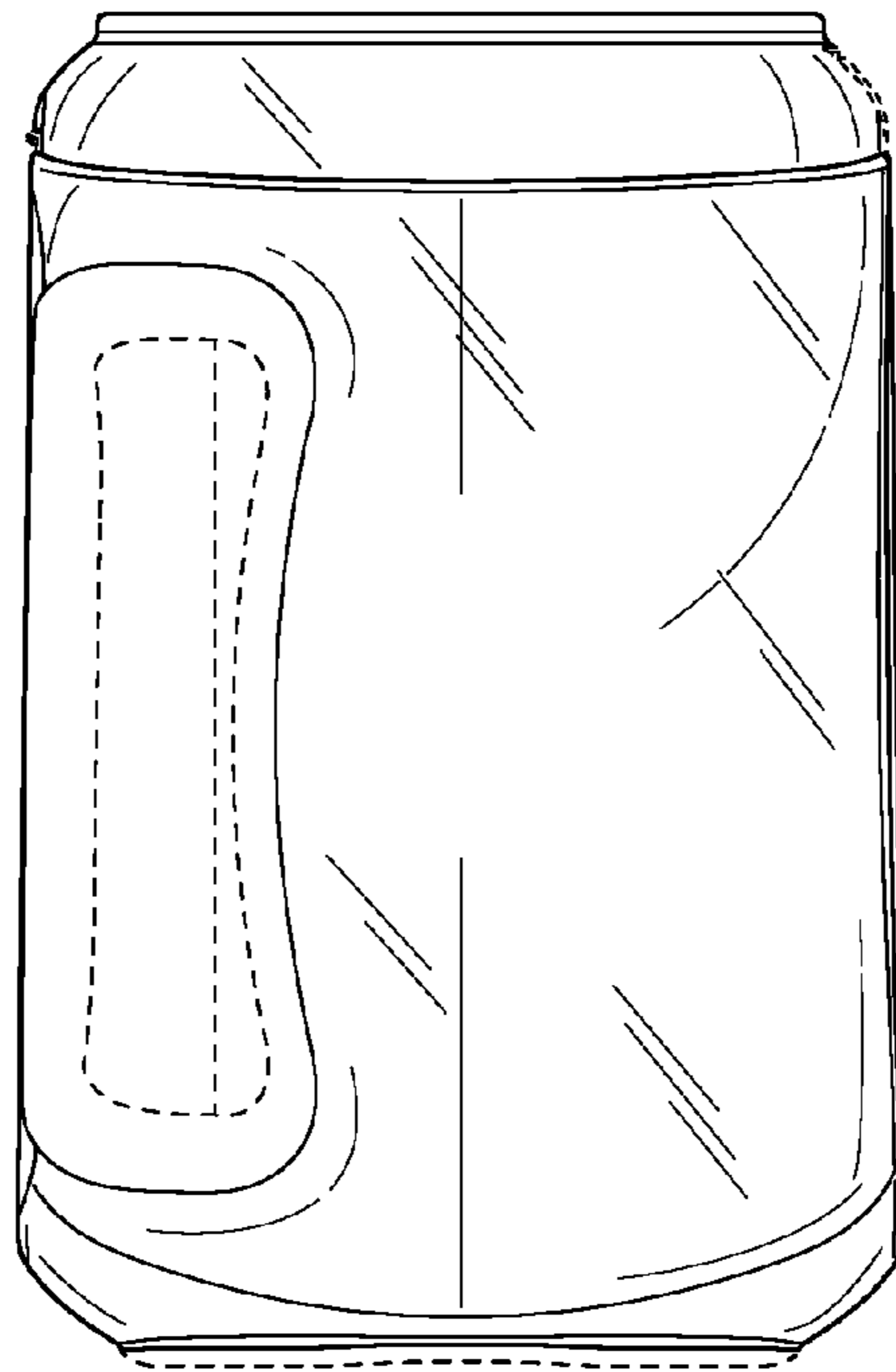


Fig. 5

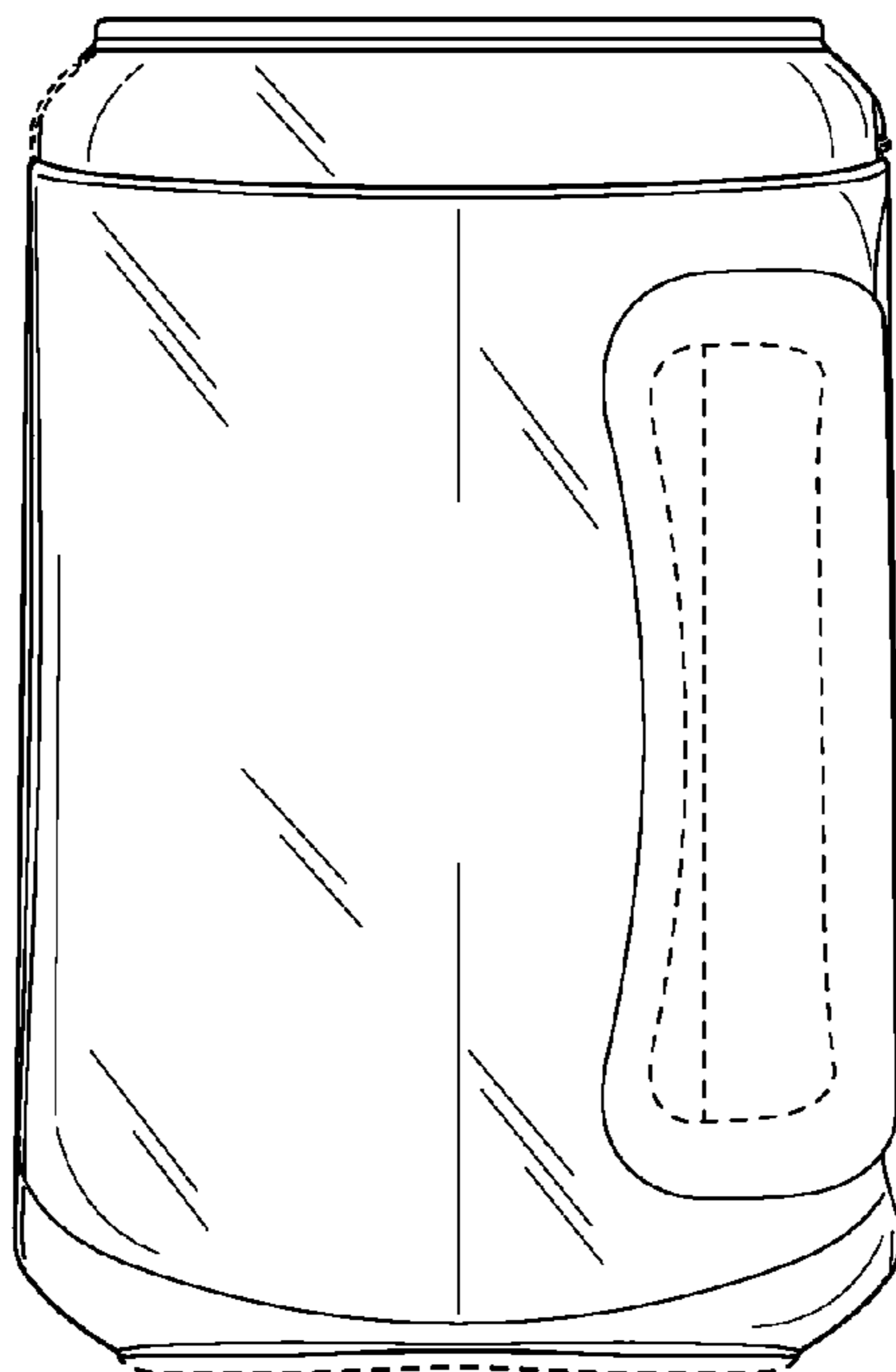


Fig. 6

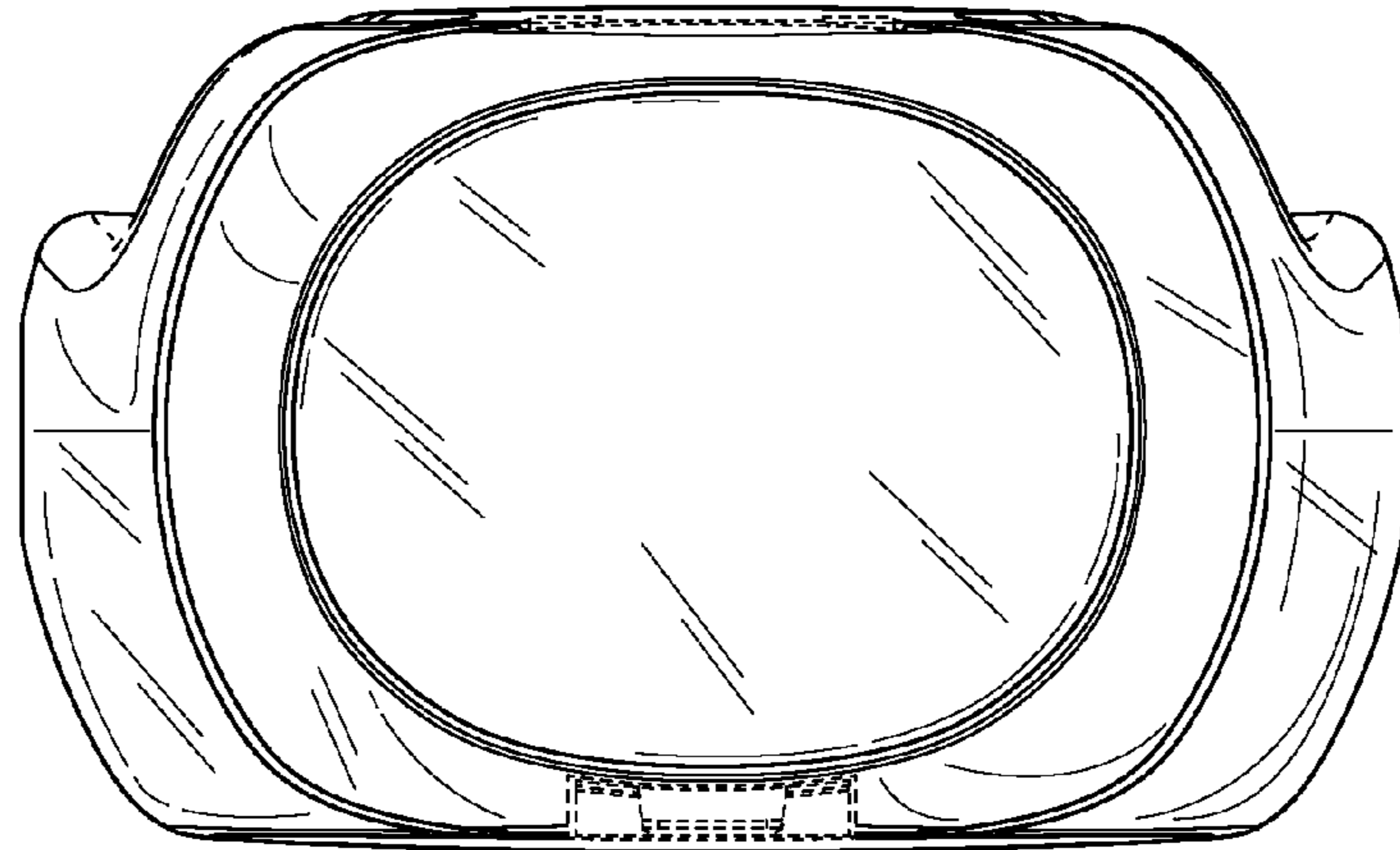


Fig. 7

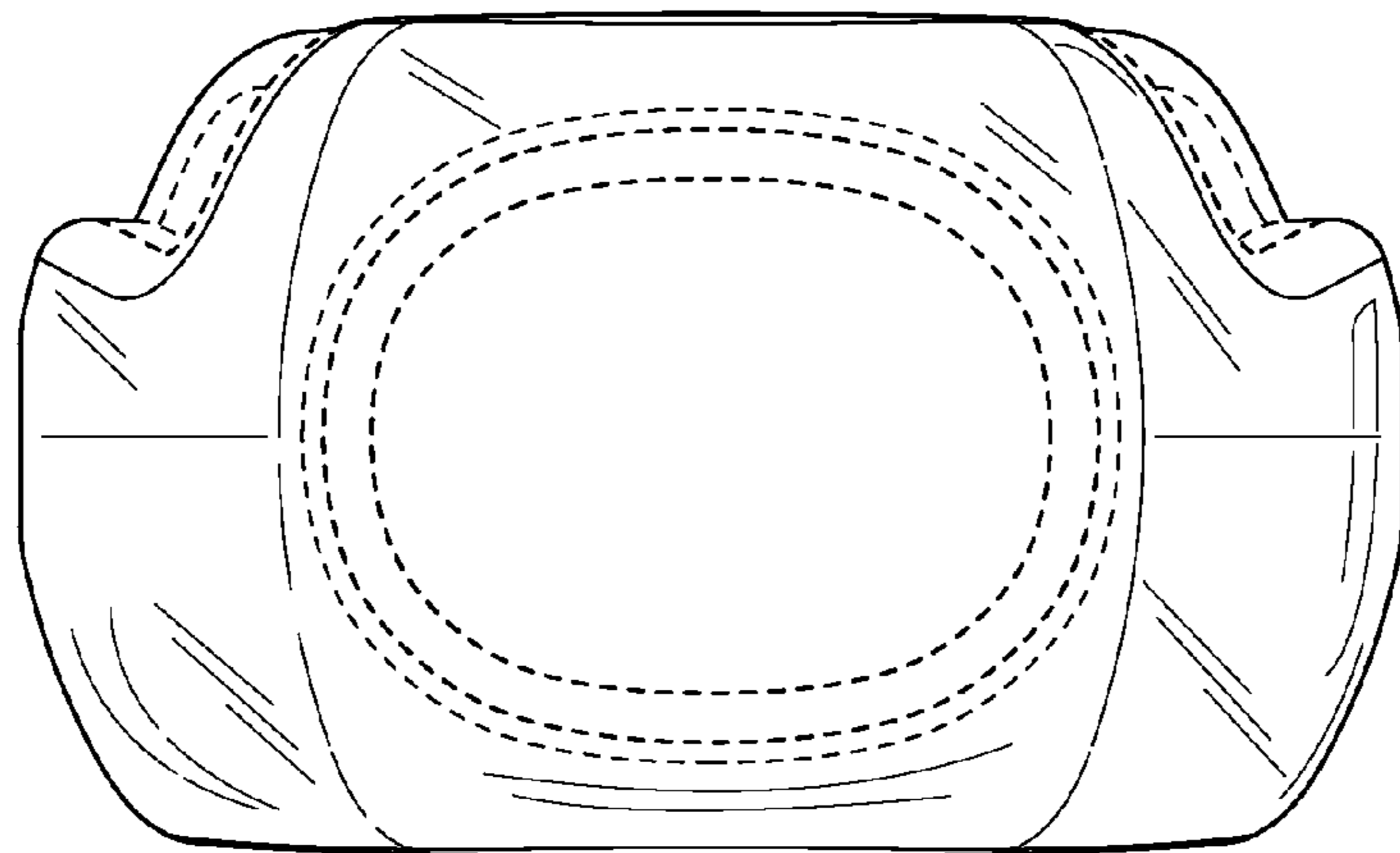


Fig. 8