



US00D673044S

(12) **United States Design Patent**  
**Wisniewski**

(10) **Patent No.:** **US D673,044 S**  
(45) **Date of Patent:** **\*\* Dec. 25, 2012**

(54) **CLOSURE**

(75) Inventor: **John Wisniewski**, Wauwatosa, WI (US)

(73) Assignee: **AptarGroup, Inc.**, Crystal Lake, IL (US)

(\*\*) Term: **14 Years**

(21) Appl. No.: **29/419,807**

(22) Filed: **May 2, 2012**

(51) **LOC (9) Cl.** ..... **09-07**

(52) **U.S. Cl.** ..... **D9/449**; D9/443

(58) **Field of Classification Search** ..... D9/529,  
D9/503, 454, 453, 449, 447, 446, 442, 440,  
D9/435; D7/392.1; 222/556, 521, 494, 492;  
220/837, 835, 820, 811, 810, 375, 260, 254.7,  
220/254.3; 215/322, 321, 306, 305, 237,  
215/235; 206/540, 539, 538, 216

See application file for complete search history.

(56) **References Cited**

U.S. PATENT DOCUMENTS

D472,144 S *	3/2003	Hierzer et al.	.....	D9/435
D536,975 S	2/2007	Smith et al.		
D537,342 S	2/2007	Smith et al.		
D561,586 S *	2/2008	Hadtke et al.	.....	D9/449
D576,489 S	9/2008	Mazurkiewicz et al.		
D614,488 S	4/2010	Kallenbach et al.		
D634,633 S *	3/2011	Moreau et al.	.....	D9/453

2009/0242564 A1 *	10/2009	Danks et al.	.....	220/361
2011/0006061 A1 *	1/2011	Michiwaki	.....	220/260
2012/0074180 A1	3/2012	Kallenbach et al.		

OTHER PUBLICATIONS

John Wisniewski et al. U.S. Appl. No. 29/387,297, filed Mar. 11, 2011.

\* cited by examiner

*Primary Examiner* — Susan Bennett Hattan

(74) *Attorney, Agent, or Firm* — Wood, Phillips, Katz, Clark & Mortimer

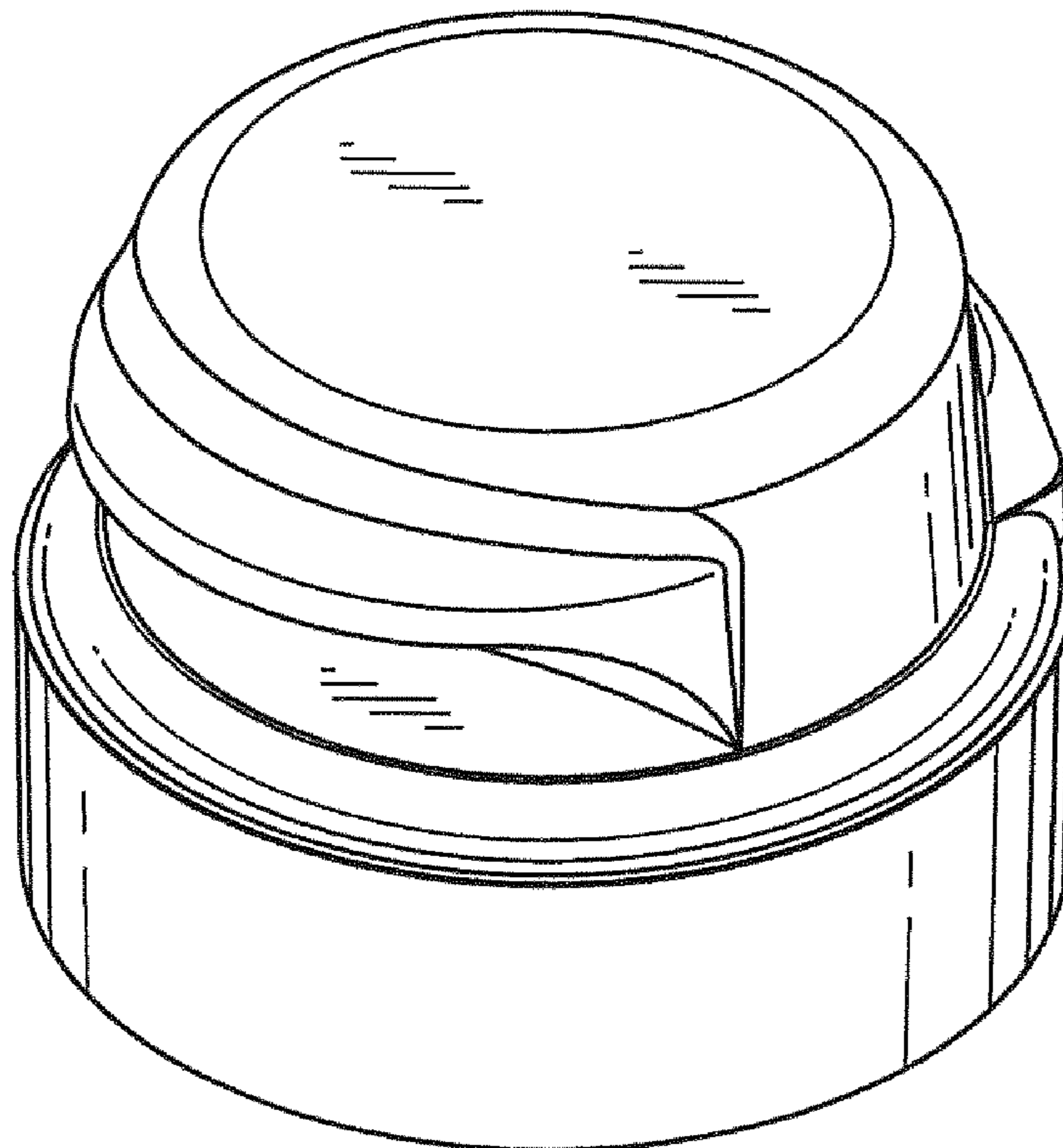
(57) **CLAIM**

The ornamental design for a closure, as shown and described.

**DESCRIPTION**

FIG. 1 is an isometric view, taken from the front and right side, of a closure, and FIG. 1 shows my new design with the lid in the closed position as the lid would be initially positioned with the closure body for installation of the closure on a container (not shown) for initial purchase by a consumer; FIG. 2 is an isometric view thereof as taken from the rear and left side;  
FIG. 3 is a top plan view thereof;  
FIG. 4 is a front elevational view thereof;  
FIG. 5 is a right side elevational view thereof, the left side elevational view thereof being a mirror image; and,  
FIG. 6 is a rear elevational view thereof.

**1 Claim, 3 Drawing Sheets**



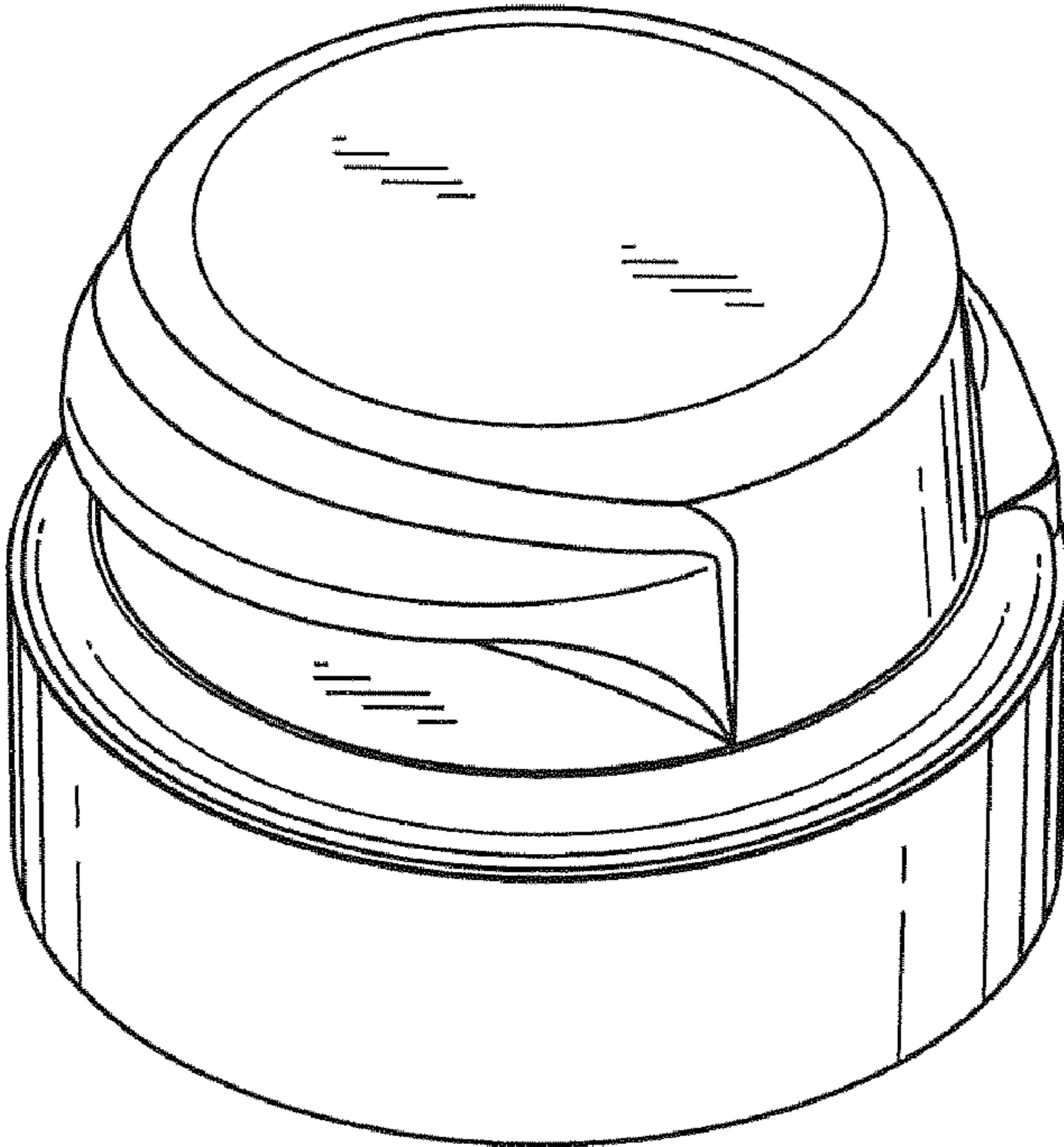


FIG. 1

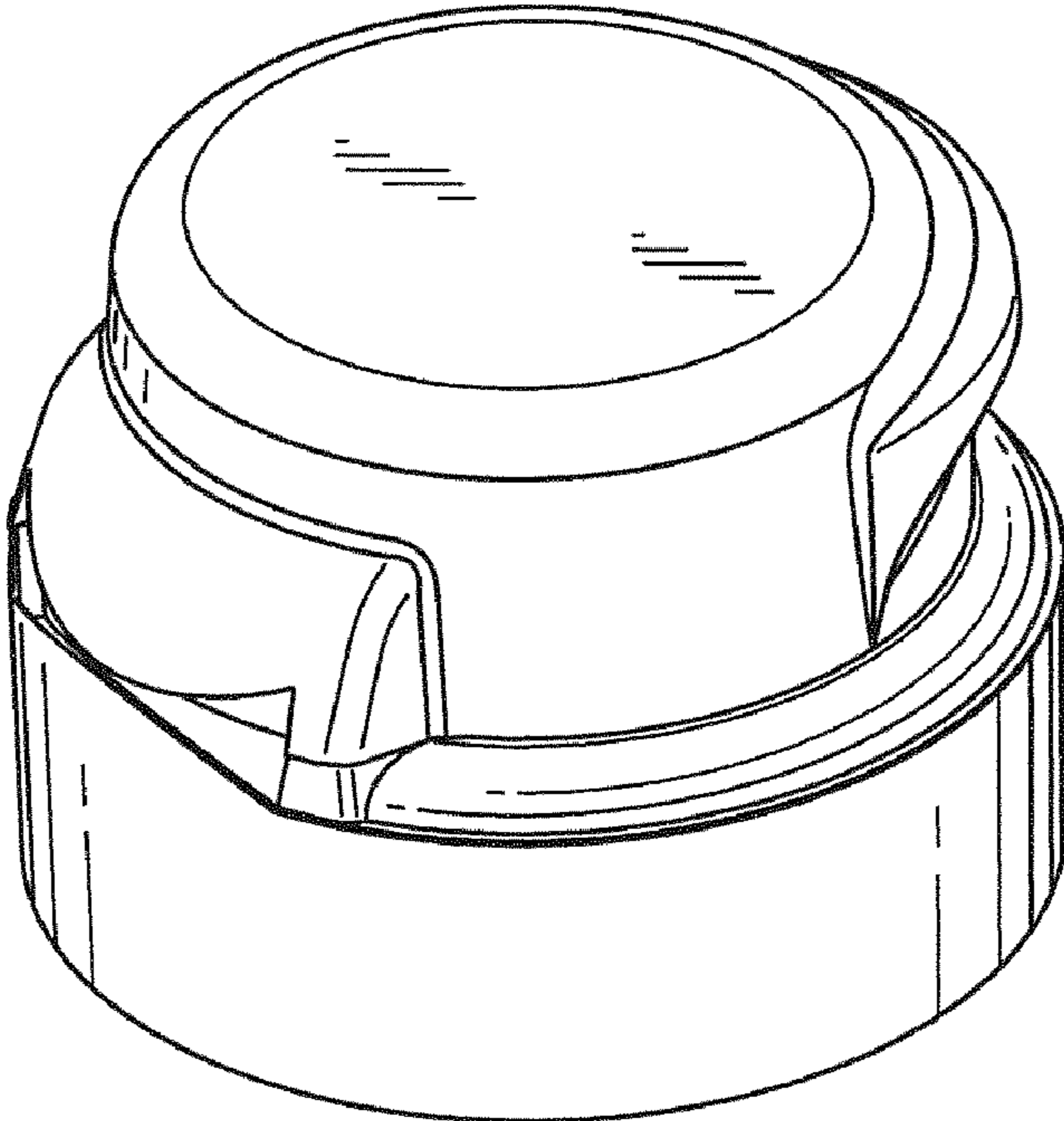


FIG. 2

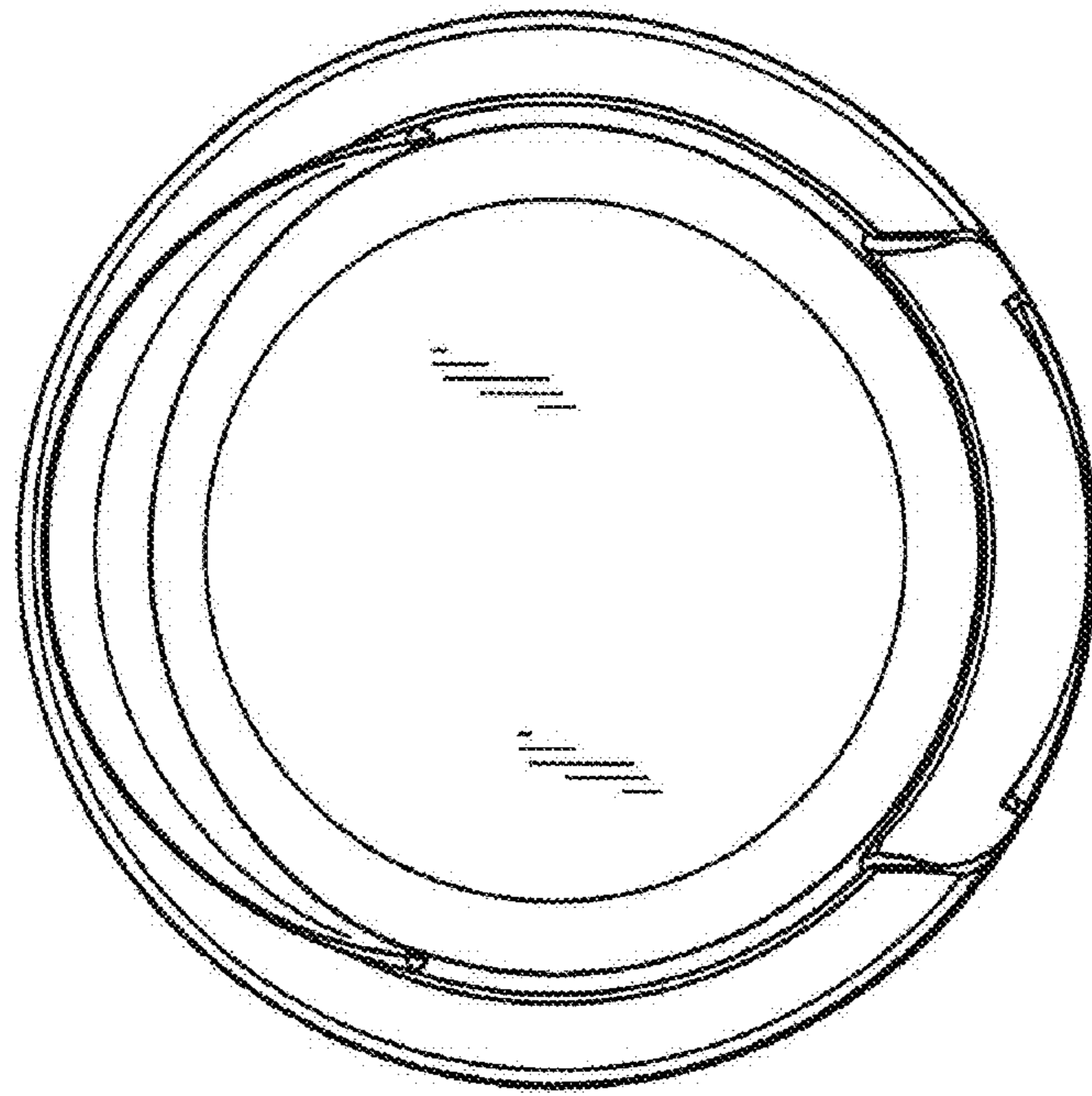


FIG. 3

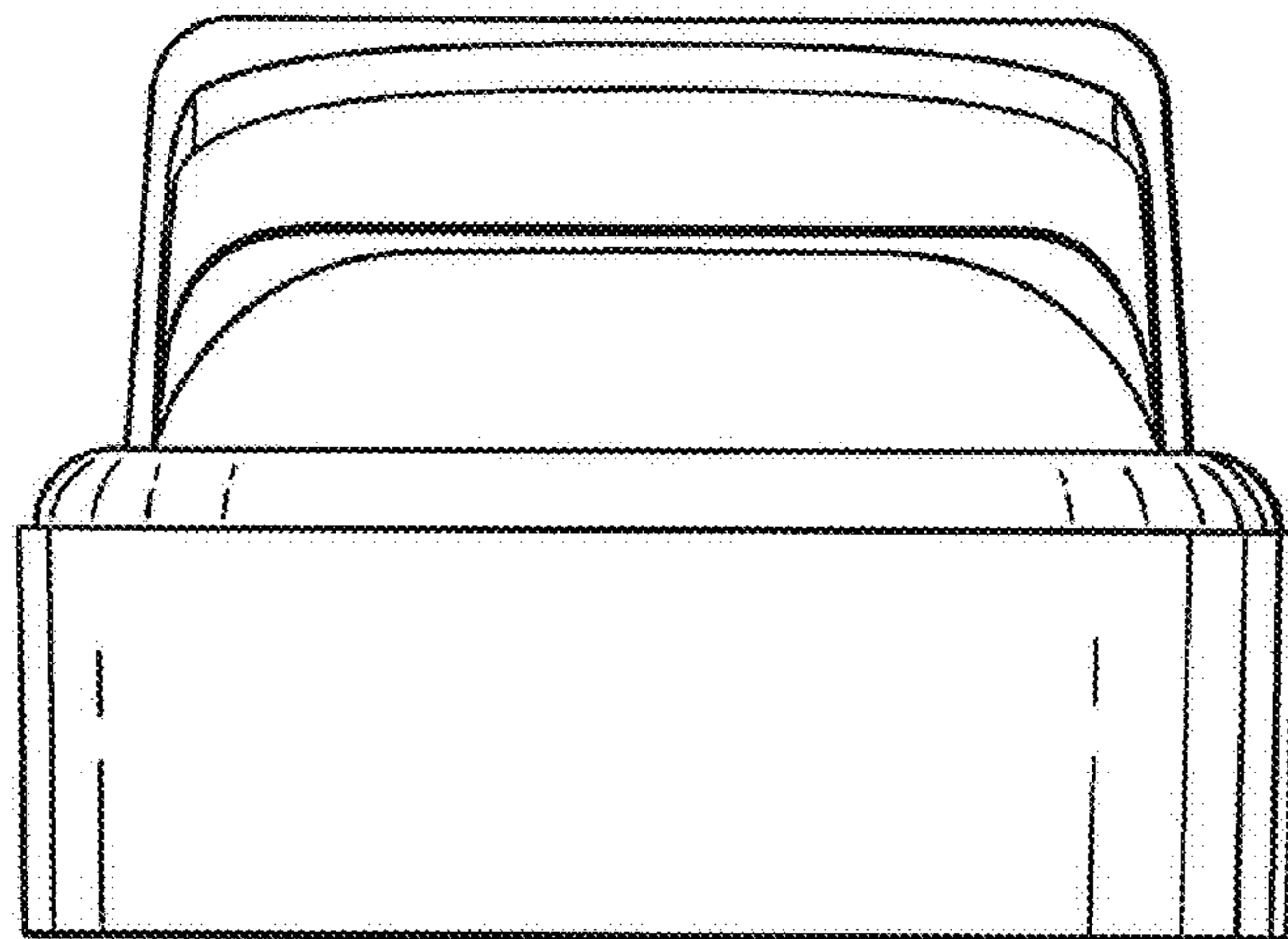


FIG. 4

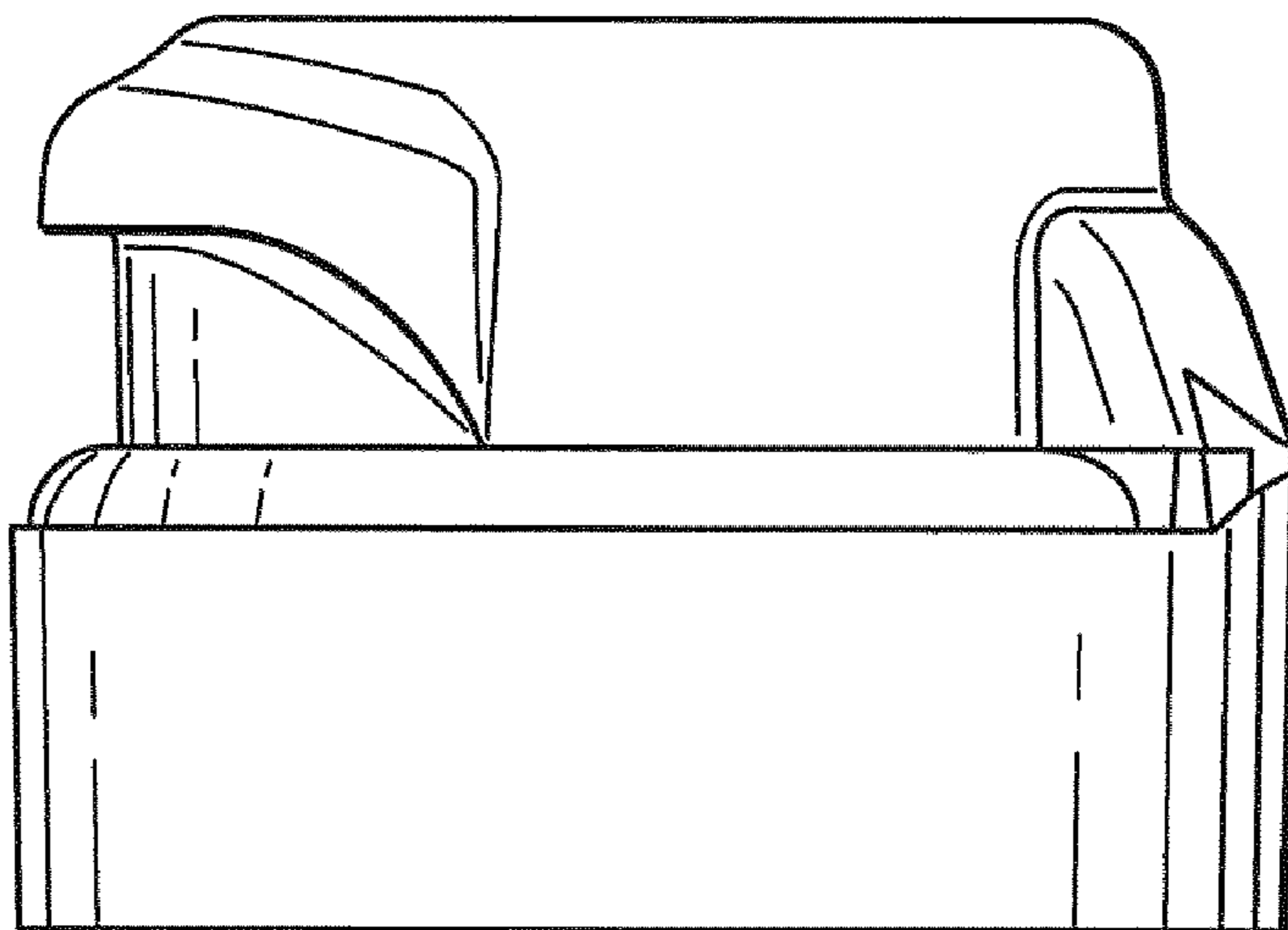


FIG. 5

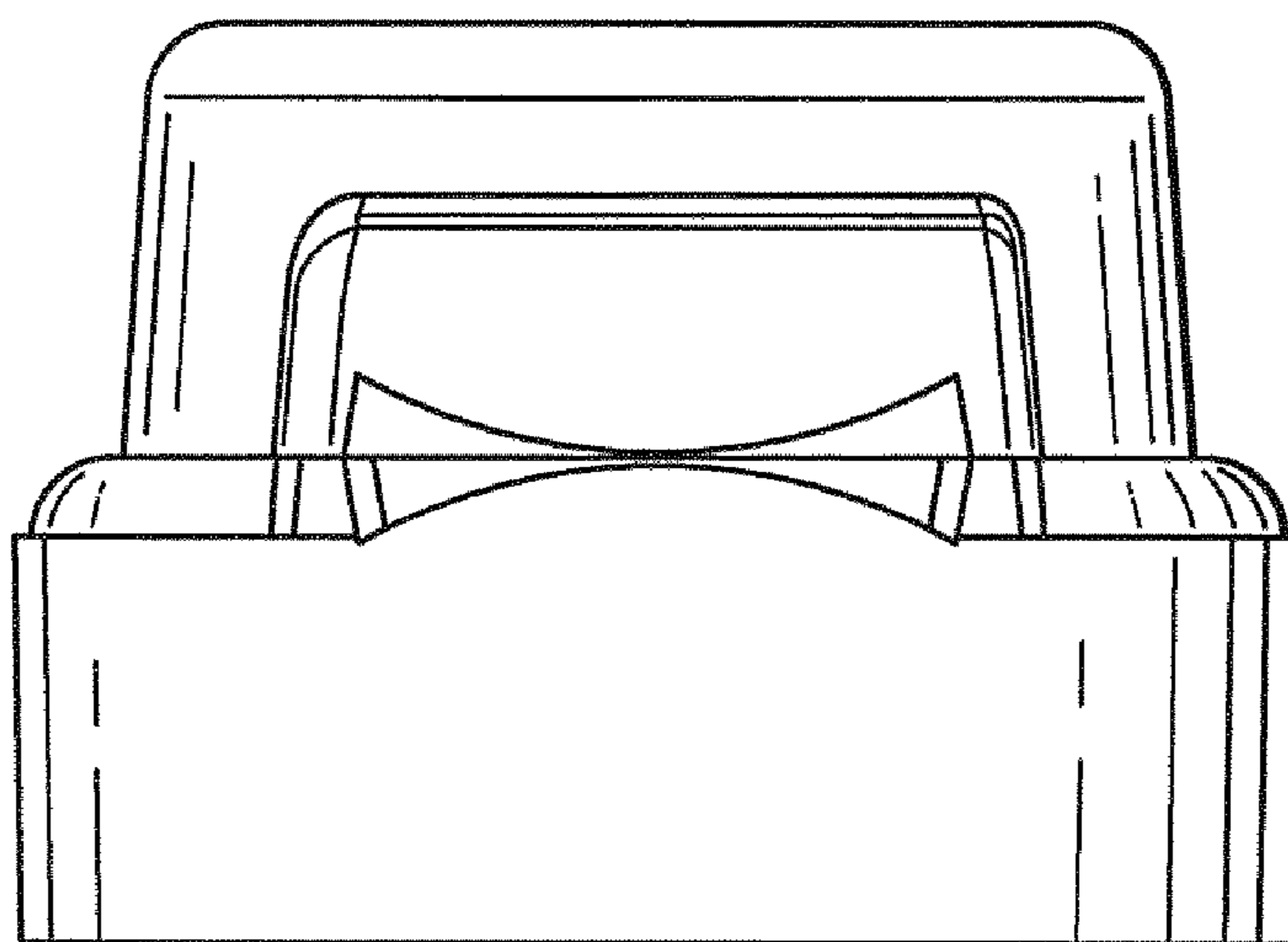


FIG. 6