



US00D673041S

(12) **United States Design Patent**
Antier et al.

(10) **Patent No.:** **US D673,041 S**
(45) **Date of Patent:** **** Dec. 25, 2012**

(54) **PLASTIC CAP**

(75) Inventors: **Grégory Antier**, Trevoux (FR); **Michel Luzzato**, Ecully (FR)

(73) Assignee: **Tetra Laval Holdings & Finance S.A.**, Pully (CH)

(**) Term: **14 Years**

(21) Appl. No.: **29/407,430**

(22) Filed: **Nov. 29, 2011**

(30) **Foreign Application Priority Data**

May 30, 2011 (EM) 001870742-0001

(51) **LOC (9) Cl.** **09-07**

(52) **U.S. Cl.** **D9/449**; D9/453; D9/443; D9/446; D9/447

(58) **Field of Classification Search** D9/529, D9/503, 454, 453, 449, 447, 446, 442, 440, D9/435; D7/392.1; 222/556, 521, 494, 492; 220/837, 835, 820, 811, 810, 375, 260, 254.7, 220/254.3; 215/322, 321, 306, 305, 237, 215/235; 206/540, 539, 538, 216
See application file for complete search history.

(56) **References Cited**

U.S. PATENT DOCUMENTS

| | | | | |
|-----------|------|---------|---------------------|------------|
| 6,478,184 | B2 * | 11/2002 | Berge et al. | 220/831 |
| 6,976,607 | B2 * | 12/2005 | Benoit-Gonin et al. | 222/153.06 |
| D530,611 | S * | 10/2006 | Nusbaum et al. | D9/449 |
| D556,575 | S * | 12/2007 | Nusbaum et al. | D9/449 |
| D581,790 | S * | 12/2008 | Hyde et al. | D9/449 |
| D582,276 | S * | 12/2008 | Hyde et al. | D9/453 |
| D584,618 | S * | 1/2009 | Schwartz | D9/449 |
| D586,213 | S * | 2/2009 | Wells et al. | D9/453 |
| D592,057 | S * | 5/2009 | Guerin | D9/449 |
| 7,611,025 | B2 * | 11/2009 | Nusbaum et al. | 215/253 |
| D606,864 | S * | 12/2009 | Robinson | D9/453 |

| | | | | |
|--------------|------|---------|---------------|------------|
| D625,605 | S * | 10/2010 | Bardet | D9/449 |
| D640,134 | S * | 6/2011 | Rognard | D9/449 |
| 2007/0284392 | A1 * | 12/2007 | Kaess et al. | 222/153.05 |
| 2011/0000928 | A1 * | 1/2011 | Antier et al. | 220/801 |

* cited by examiner

Primary Examiner — Susan Bennett Hattan

(74) *Attorney, Agent, or Firm* — Stites & Harbison PLLC; Douglas E. Jackson

(57) **CLAIM**

The ornamental design for a plastic cap, as shown and described.

DESCRIPTION

The following design applications have the same inventors, have been filed concurrently herewith, have the same title, and have related subject matters: application Ser. No. 29/407,428; application Ser. No. 29/407,432; application Ser. No. 29/407,433; and application Ser. No. 29/407,434.

FIG. 1 is a front, top and right side perspective view of a plastic cap showing the new design.

FIG. 2 is a front, top and left side perspective view thereof.

FIG. 3 is a front view thereof.

FIG. 4 is rear view thereof.

FIG. 5 is a right side view thereof.

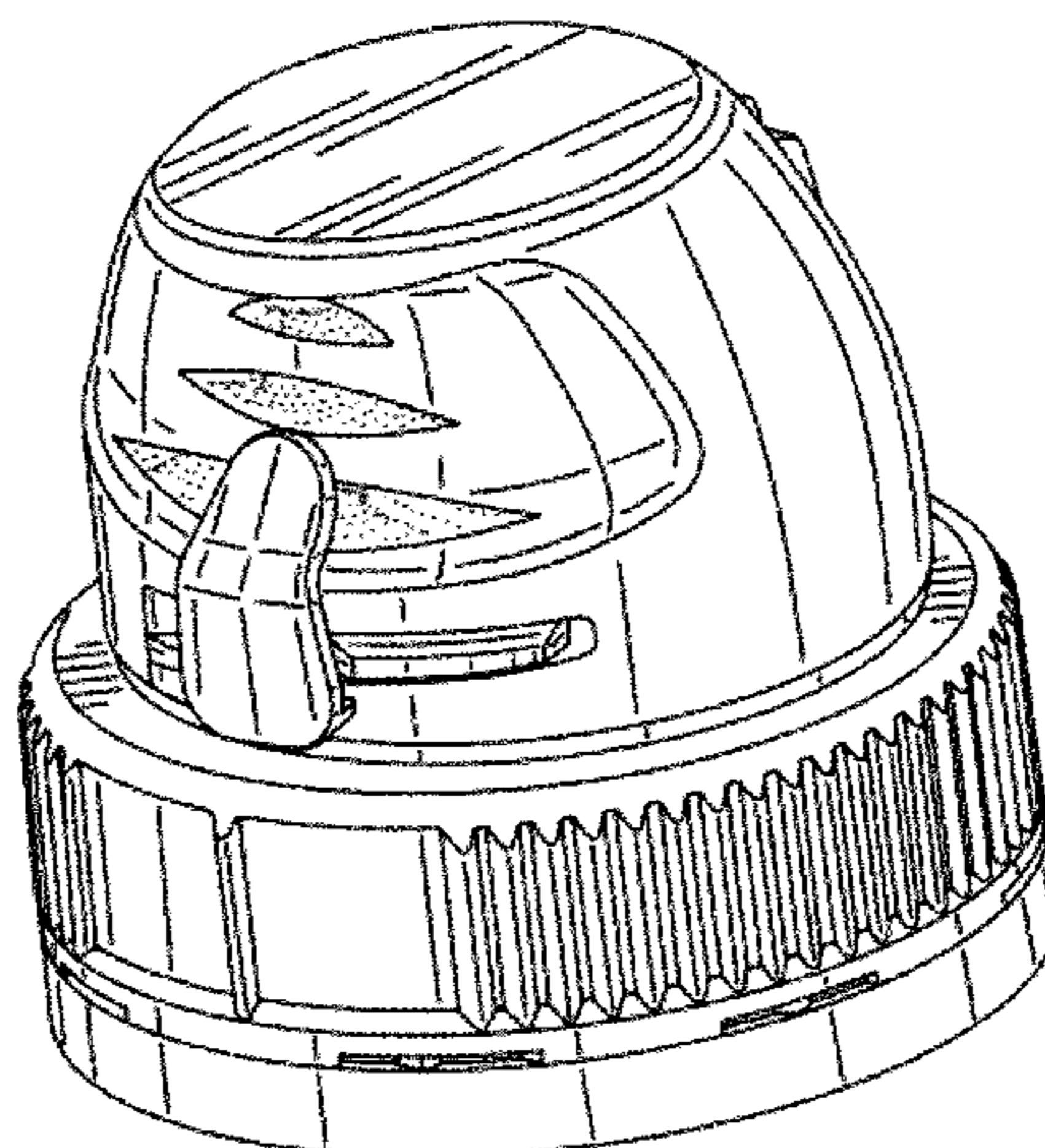
FIG. 6 is a top view thereof; and,

FIG. 7 is a front, top and left side perspective view thereof with the closure hinged to an open position affording access to the outlet.

The stippling areas of FIGS. 1-3 and 5-6 are provided to show a contrast in the surface appearance of these areas relative to the surrounding areas.

The broken lines in FIG. 7 are included for the purpose of illustrating interior structures that form no part of the claimed design.

1 Claim, 7 Drawing Sheets



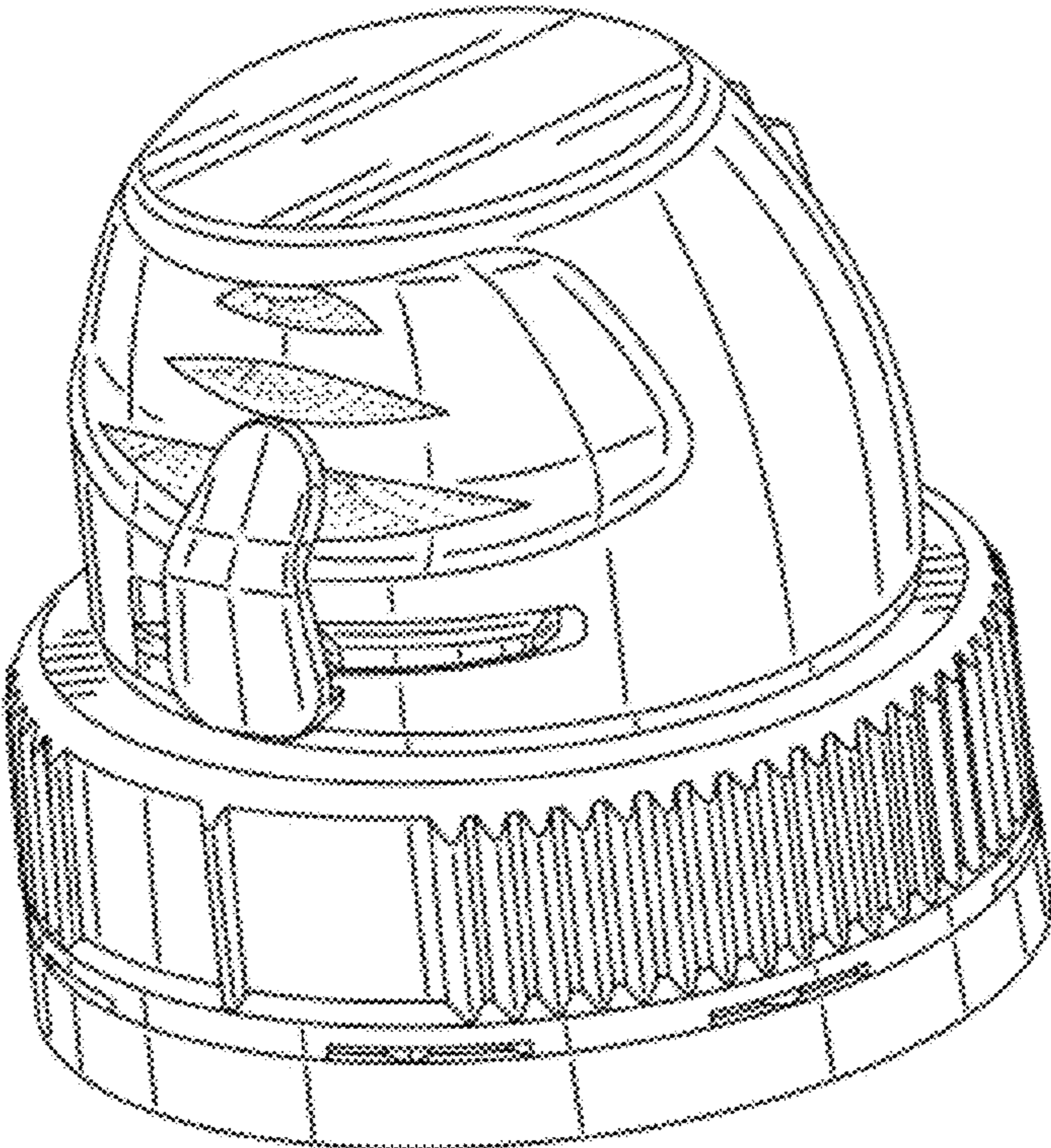


FIG. 1

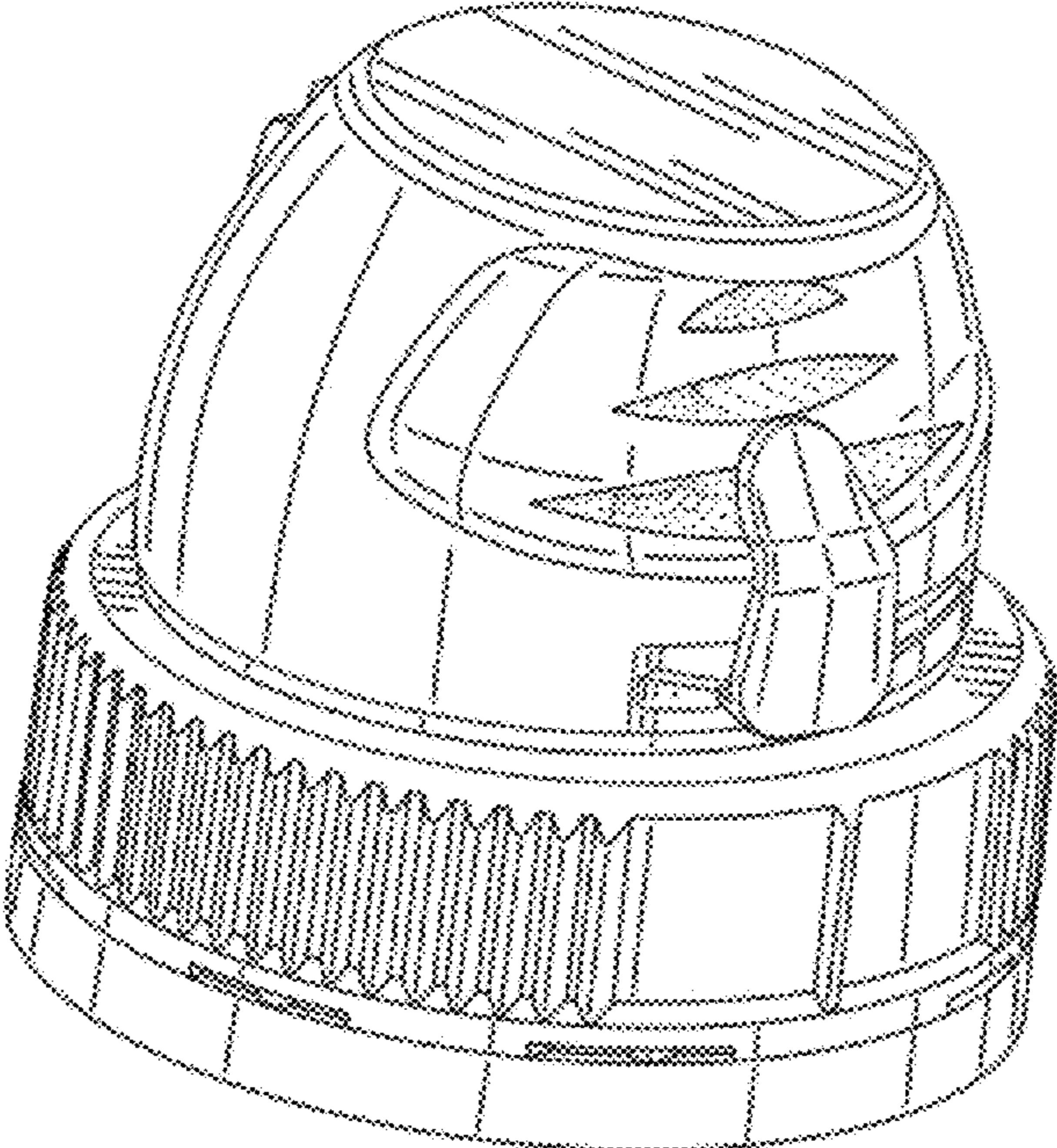


FIG. 2

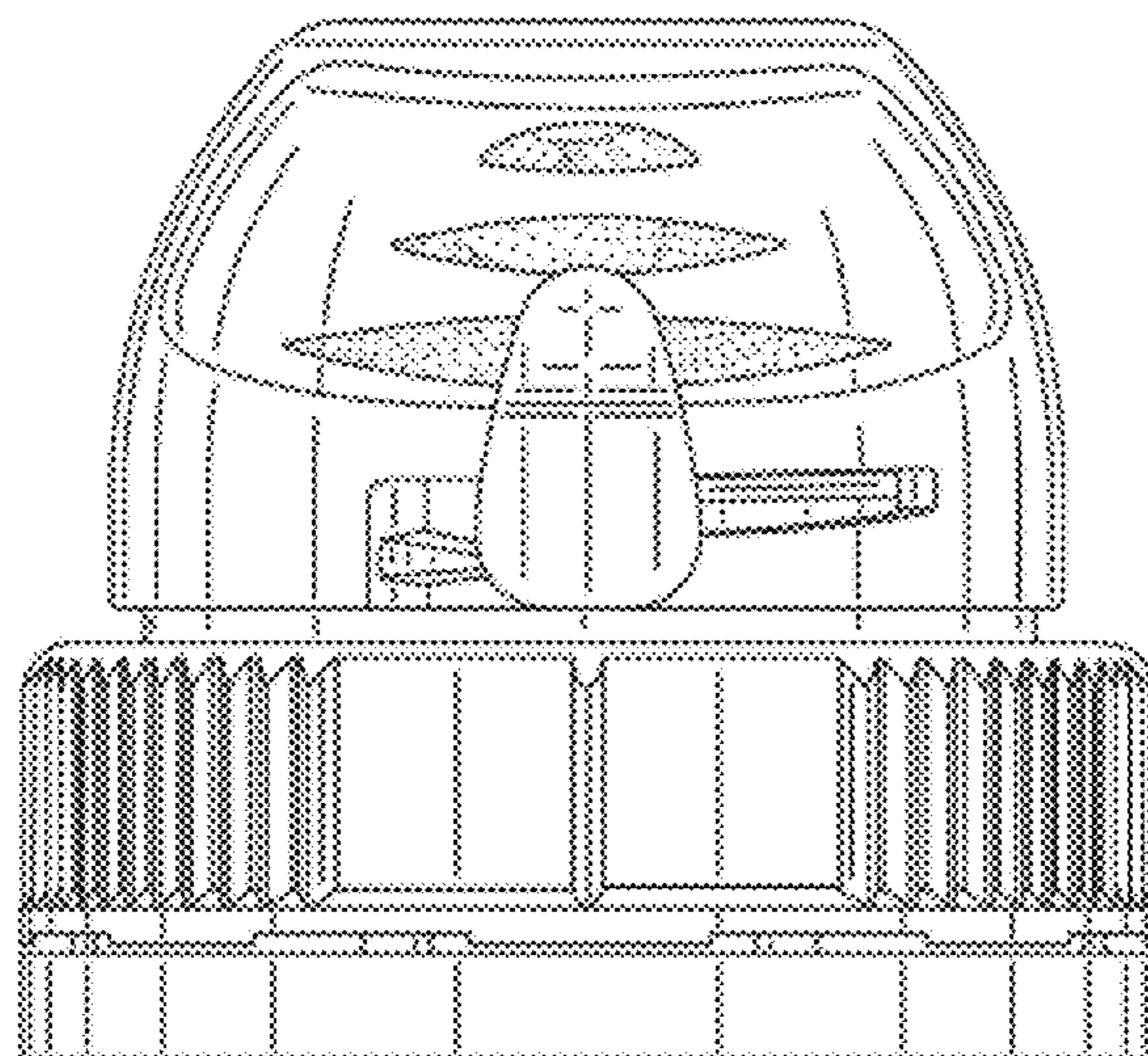


FIG. 3

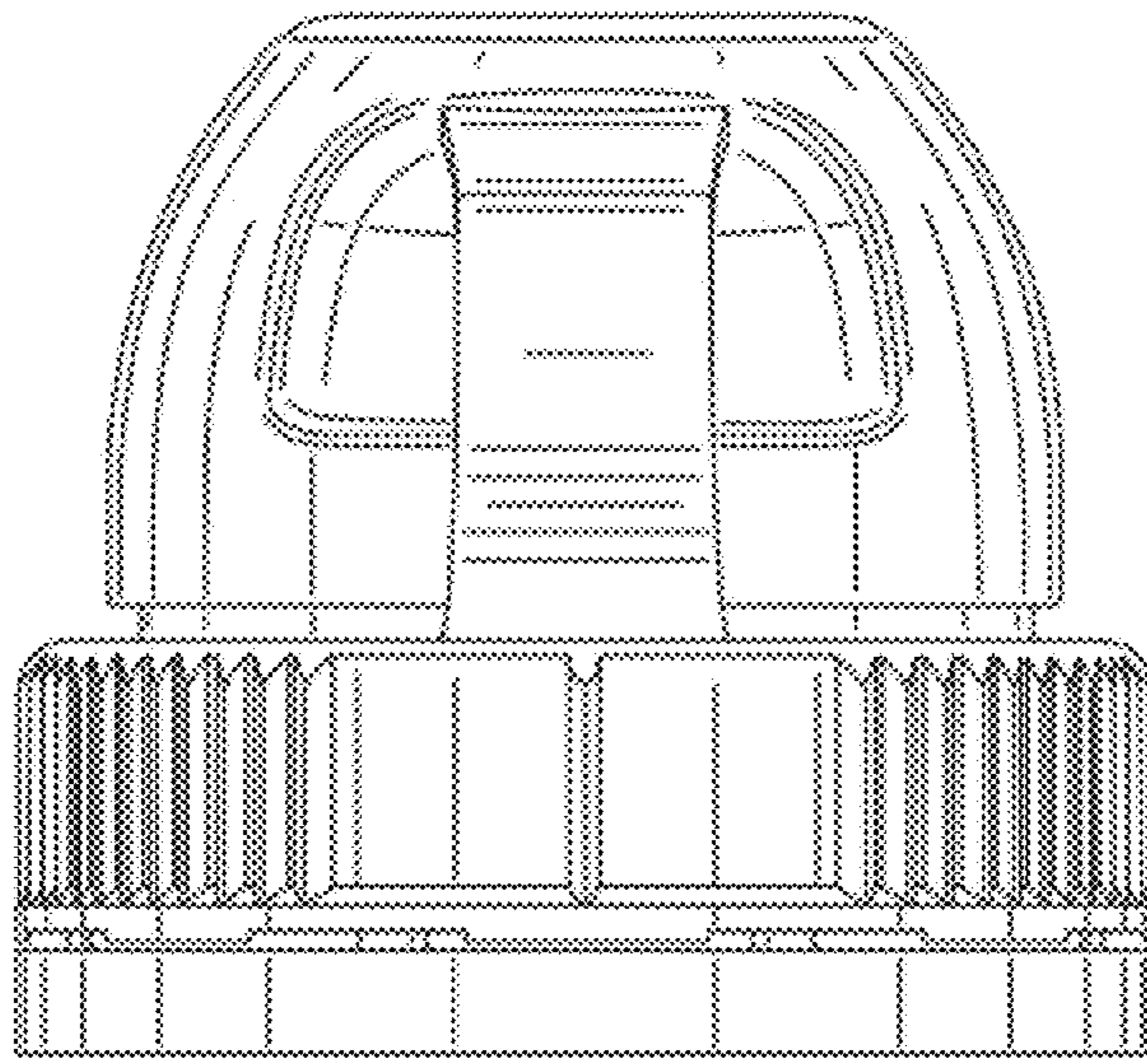


FIG. 4

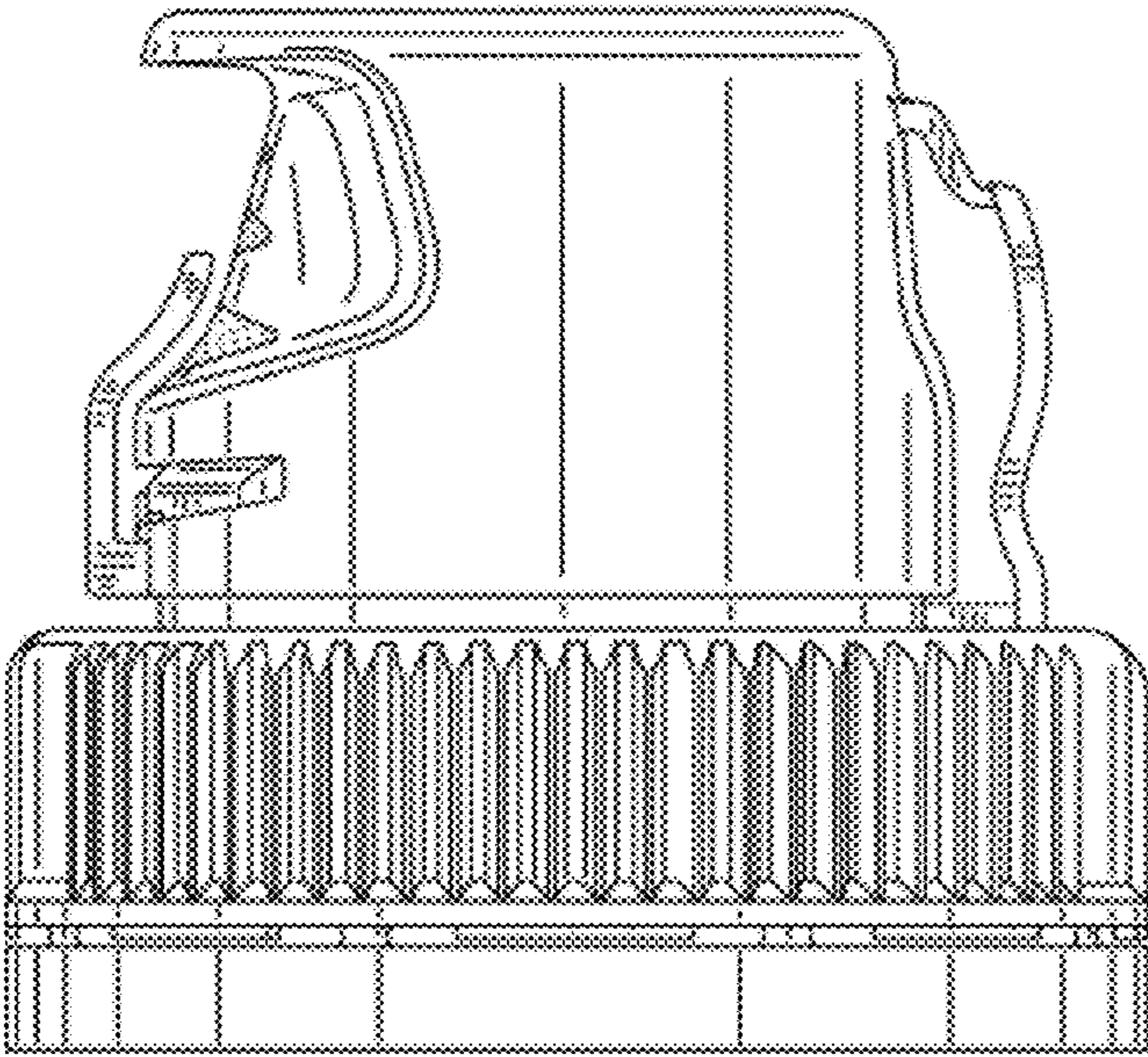


FIG. 5

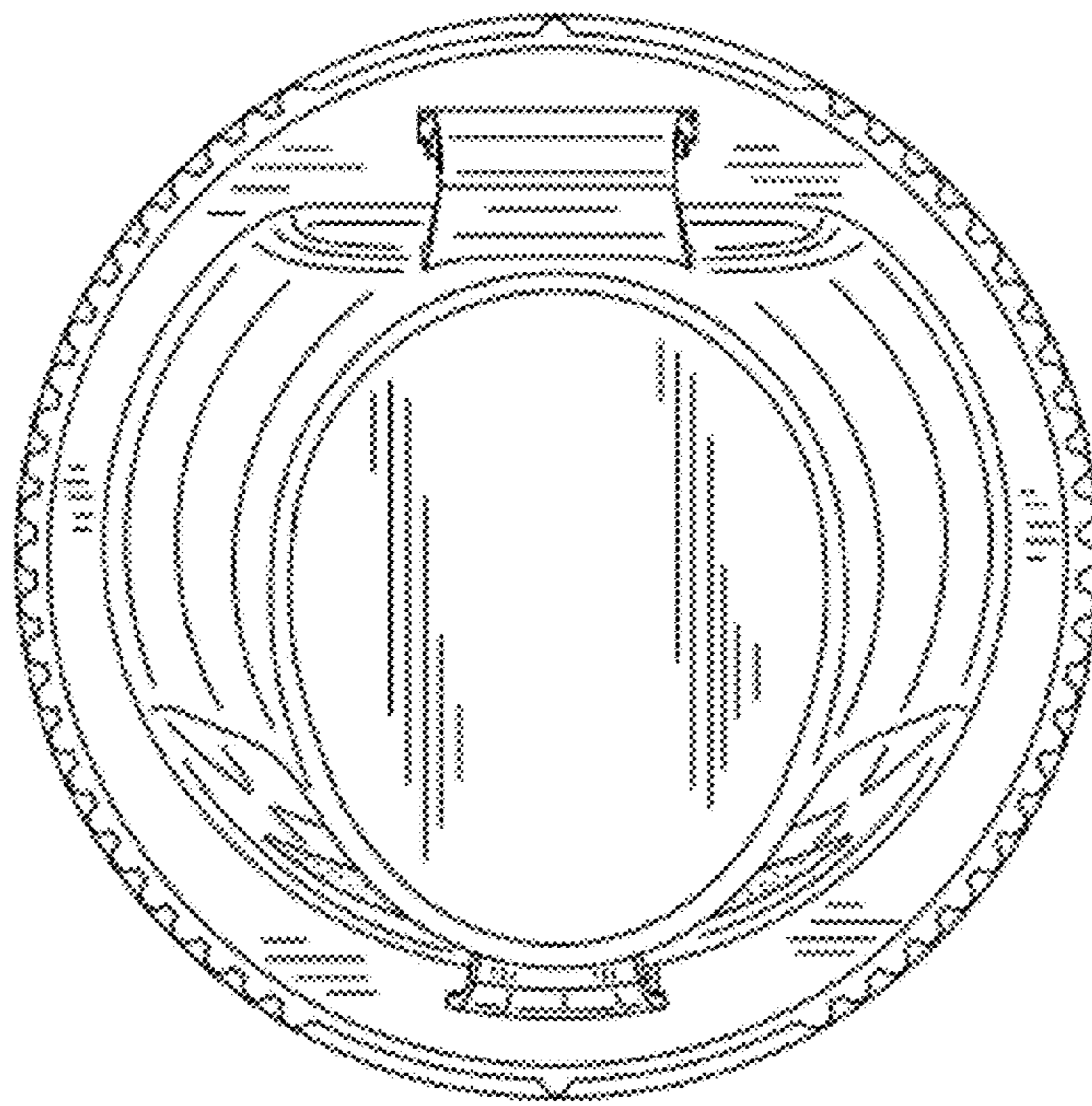


FIG. 6

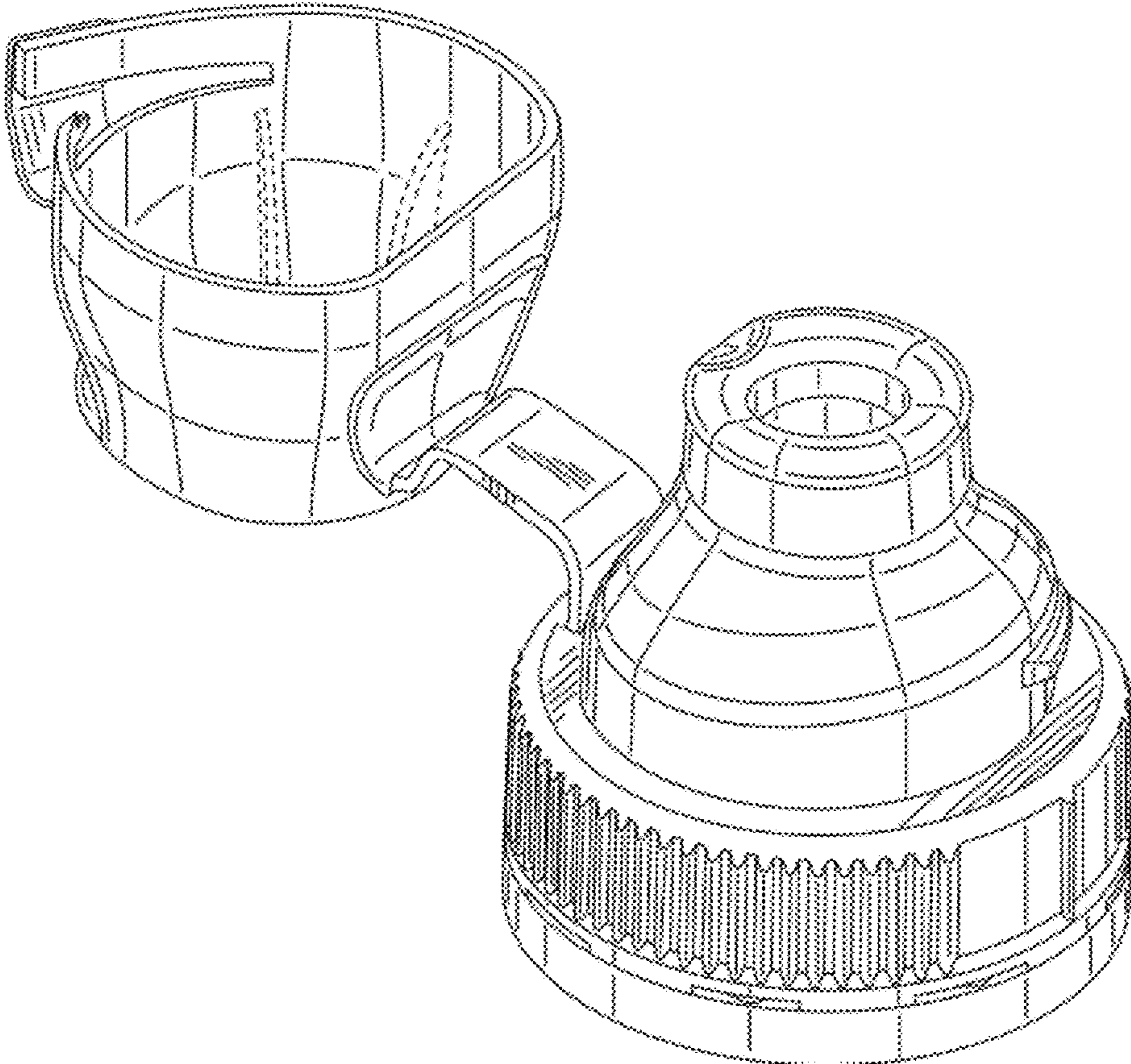


FIG. 7