

US00D673040S

(12) **United States Design Patent**
Stephan et al.

(10) **Patent No.:** **US D673,040 S**
(45) **Date of Patent:** **** *Dec. 25, 2012**

(54) **PORTION OF A POWDER CAP FOR A LIQUID CONTAINER**

(75) Inventors: **Gary R. Stephan**, Seven Hills, OH (US); **Craig Saunders**, Rocky River, OH (US); **Evan Spirk**, Gates Mills, OH (US); **Jeffrey Kalman**, Cleveland Heights, OH (US); **David Boll**, Avon, OH (US); **Anthony S. Zuccaro**, Chesterland, OH (US)

(73) Assignee: **Abbott Laboratories**, Abbott Park, IL (US)

(*) Notice: This patent is subject to a terminal disclaimer.

(**) Term: **14 Years**

(21) Appl. No.: **29/403,145**

(22) Filed: **Oct. 1, 2011**

Related U.S. Application Data

(63) Continuation-in-part of application No. 29/369,872, filed on Sep. 14, 2010.

(51) **LOC (9) Cl.** **09-07**

(52) **U.S. Cl.** **D9/449; D9/436**

(58) **Field of Classification Search** D9/454, D9/453, 449, 447, 436, 435; D24/224, 197; 222/556, 521, 494, 492, 711; 220/837, 811, 220/810, 375, 260, 254.7, 254.3, 711; 215/322, 215/321, 306, 305, 237, 235; 206/828, 734, 206/540, 539, 538, 219, 216
See application file for complete search history.

(56) **References Cited**

U.S. PATENT DOCUMENTS

1,174,828 A 3/1916 Copeland
2,365,947 A 12/1944 Ganson
2,766,022 A 10/1956 Bender
3,113,569 A 12/1963 Barr et al.

3,346,133 A 10/1967 Herdman
3,411,648 A 11/1968 Tichy
3,690,621 A 9/1972 Tanaka et al.
D252,068 S 6/1979 Lovely
D292,966 S 12/1987 Gager
4,718,447 A 1/1988 Marshall
D294,735 S 3/1988 Morano et al.
D302,793 S 8/1989 Yamaguchi
4,893,940 A 1/1990 Waisberg
4,893,941 A 1/1990 Wayte
D306,071 S 2/1990 Klitsner
4,979,629 A 12/1990 Askerneese
D313,529 S 1/1991 Bormioli
D316,100 S 4/1991 Kief

(Continued)

OTHER PUBLICATIONS

<http://www.babyfeedingbottleshelp.com/>, Mar. 13, 2012.

(Continued)

Primary Examiner — Susan Bennett Hattan

(74) *Attorney, Agent, or Firm* — McAndrews, Held & Malloy, Ltd.

(57)

CLAIM

The ornamental design for a portion of a powder cap for a liquid container, as shown and described.

DESCRIPTION

FIG. 1 is a front perspective view of a portion of a powder cap for a liquid container showing our new design in closed position;

FIG. 2 is a rear perspective view thereof;

FIG. 3 is a front elevation view thereof;

FIG. 4 is a rear elevation view thereof;

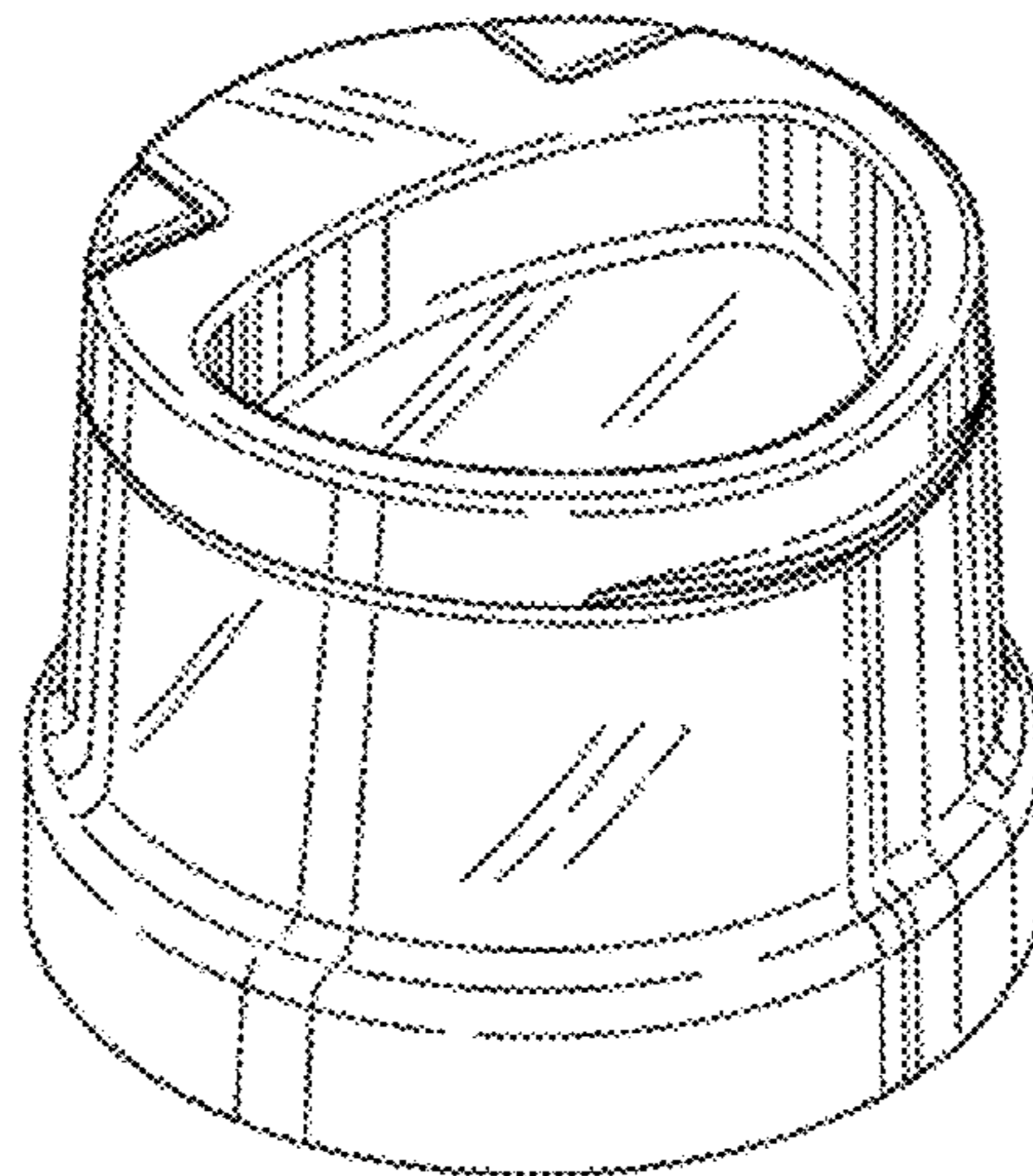
FIG. 5 is a right side elevation view thereof, the left side being a mirror image;

FIG. 6 is a top view thereof; and,

FIG. 7 is a bottom view thereof.

The broken lines in the drawings represent environmental subject matter and form no part of the claimed design.

1 Claim, 3 Drawing Sheets



U.S. PATENT DOCUMENTS

D317,129 S 5/1991 Beranek et al.
 D320,938 S 10/1991 Stallings
 D327,015 S 6/1992 Stallings
 D330,938 S 11/1992 Sakashita
 5,199,788 A 4/1993 Stallings
 D339,197 S 9/1993 Ziegler
 D348,836 S 7/1994 McCallum et al.
 D356,160 S 3/1995 Cautereels
 5,419,445 A 5/1995 Kaesemeyer
 D364,256 S 11/1995 Breen et al.
 D365,021 S 12/1995 Park
 5,472,274 A 12/1995 Baillie
 D370,411 S 6/1996 Vernon, IV
 D371,304 S 7/1996 Onneweer
 5,544,766 A 8/1996 Dunn et al.
 5,588,548 A 12/1996 Brankley
 5,626,256 A 5/1997 Onneweer
 D386,407 S 11/1997 Gutting et al.
 5,695,282 A 12/1997 Hess
 5,881,893 A 3/1999 Manganiello
 5,894,965 A * 4/1999 Robbins et al. 222/444
 D413,799 S 9/1999 Schlatter
 D420,448 S 2/2000 Brown et al.
 D423,107 S 4/2000 Brown et al.
 D426,742 S 6/2000 Gartz et al.
 D433,337 S 11/2000 Cautereels
 D435,108 S 12/2000 Chomik et al.
 D436,862 S 1/2001 Witt et al.
 RE37,137 E 4/2001 Ghidini
 D441,086 S 4/2001 Morano
 D441,087 S 4/2001 Johansen et al.
 D441,247 S 5/2001 Beam
 D441,870 S 5/2001 Randolph
 D442,087 S 5/2001 Walls
 D442,435 S 5/2001 Takagi
 6,224,253 B1 5/2001 Dixon
 D444,239 S 6/2001 Kobayashi et al.
 6,257,428 B1 7/2001 Caola
 D450,387 S 11/2001 Gaona
 D451,392 S * 12/2001 Kitamura et al. D9/447
 D451,393 S 12/2001 Gerhart et al.
 D459,815 S 7/2002 Pastucha
 D460,825 S 7/2002 Renz
 6,419,385 B1 7/2002 Walls
 6,439,380 B1 * 8/2002 Welsh 206/219
 D463,280 S * 9/2002 Brozell D9/449
 D463,567 S 9/2002 Morano
 D464,434 S 10/2002 Morano
 D465,028 S 10/2002 Renz
 6,484,895 B2 11/2002 Montgomery et al.
 6,508,379 B1 1/2003 Van De Pol-Klein Nagelvoort
 et al.
 D470,050 S 2/2003 Renz et al.
 D470,593 S 2/2003 Iodice
 D478,669 S 8/2003 Wear
 6,616,319 B2 9/2003 Renz
 D486,579 S 2/2004 Dunn
 D486,996 S 2/2004 Karp
 D488,560 S 4/2004 Renz et al.
 D489,261 S 5/2004 Doelling
 6,769,800 B1 8/2004 Young
 D496,733 S 9/2004 Morano et al.
 D497,672 S 10/2004 Renz
 6,877,891 B2 4/2005 Hu
 D504,725 S 5/2005 Randolph et al.
 D511,836 S 11/2005 Morano et al.
 D513,181 S 12/2005 Bloom et al.
 6,978,908 B2 12/2005 Morano et al.
 D516,911 S 3/2006 Bloom et al.
 D525,523 S 7/2006 King
 D528,660 S 9/2006 Lornage
 7,150,370 B2 12/2006 Pyun
 D538,939 S 3/2007 Conaway et al.
 7,185,766 B2 3/2007 Cooper
 D539,650 S 4/2007 Smith et al.
 D545,623 S 7/2007 Renz et al.
 D546,463 S 7/2007 Potvin

D555,795 S 11/2007 Mallet
 D566,551 S 4/2008 Pettigrew et al.
 D572,586 S 7/2008 Medema
 D577,583 S 9/2008 Porter et al.
 D582,271 S 12/2008 Vogel
 D583,234 S 12/2008 Lohrman et al.
 D590,950 S 4/2009 Driver et al.
 7,513,678 B2 4/2009 Venus
 D591,557 S 5/2009 Bodum
 D592,954 S 5/2009 Capretta et al.
 D595,417 S 6/2009 Driver et al.
 D599,028 S 8/2009 Schofield
 D602,775 S 10/2009 Shale
 D603,261 S 11/2009 Arnell et al.
 D609,093 S 2/2010 Wisniewski et al.
 D609,528 S 2/2010 Roehrig et al.
 D610,454 S 2/2010 Lohrman et al.
 D614,954 S 5/2010 Crowell et al.
 D615,399 S 5/2010 Bran
 D616,747 S 6/2010 Stull et al.
 D623,060 S * 9/2010 Hassamanci D9/449
 D624,414 S * 9/2010 Benoit-Gonin et al. D9/449
 D625,424 S 10/2010 MacKay et al.
 D627,641 S 11/2010 Mazurkiewicz et al.
 D628,890 S 12/2010 Groubert et al.
 D630,093 S 1/2011 Bardet
 D630,334 S 1/2011 Paige
 D634,192 S 3/2011 Mueller
 D634,198 S 3/2011 Groubert et al.
 D635,683 S 4/2011 Shaikh et al.
 D635,684 S 4/2011 Shaikh et al.
 D637,300 S 5/2011 Yamashita et al.
 D639,969 S 6/2011 Pukall et al.
 D639,970 S 6/2011 Pukall et al.
 D640,101 S 6/2011 Clark, Jr. et al.
 D641,887 S 7/2011 Sirota
 D642,434 S 8/2011 Schofield et al.
 D644,334 S 8/2011 Py
 8,020,507 B2 9/2011 Strong
 D649,878 S * 12/2011 Weiss D9/447
 D650,672 S 12/2011 Krallmann
 D652,938 S 1/2012 Py et al.
 D655,166 S 3/2012 Arand et al.
 D655,818 S 3/2012 Roehrig
 2004/0026351 A1 2/2004 Dunn et al.
 2004/0099544 A1 * 5/2004 Ness et al. 206/216
 2004/0124168 A1 7/2004 Silver
 2010/0096395 A1 * 4/2010 Miller 220/711

OTHER PUBLICATIONS

http://www.alibaba.com/product-gs/340931498/silicone_feeding_bottle.html, Mar. 13, 2012.
http://www.alibaba.com/product-free/107193305/Baby_Feeding_Bottles.html, Mar. 13, 2012.
<http://green-bebe.com/blog/2008/05/27/green-to-grow-baby-bottles-are-now-available/>, Mar. 13, 2012.
http://www.chinababybottle.com/news_info/borosilicate-glass-baby-feeding-bottle-n10946.html, Mar. 13, 2012.
<http://www.greatgreenbaby.com/tough-safe-cute-stainless-steel-baby-bottle/>, Mar. 13, 2012.
http://www.sears.com/shc/s/p_10153_12605_SPM5884866007P?i_cntr=1331536943517, Mar. 13, 2012.
<http://www.ttnet.net/ttnet/gotopr/MB115/020/0/151303235383434333.htm>, Mar. 13, 2012.
<http://www.iplaywholesale.com/index.php/greensprouts/feeding/food-prep-storage/water-bottle-capadaptor.html>, Mar. 13, 2012.
<http://www.greentogrow.com/product.aspx?productID=CAPREG>, Mar. 13, 2012.
<http://www.aventcoupons.org/avent-bottle-adapter-ring/>, Mar. 13, 2012.

US D673,040 S

Page 3

<http://www.magicbaby.pl/81-smoczek-do-butelki-wolny-1m-philips-avent-scf632-27.html>, Mar. 13, 2012.
<http://www.petitbliss.com/shop/product.php?sku=28104&cat=2703&page=1>, Mar. 13, 2012.

<http://garagelelong.wordpress.com/2008/10/31/brand-new-baby-milk-bottles/>, Mar. 13, 2012.

* cited by examiner

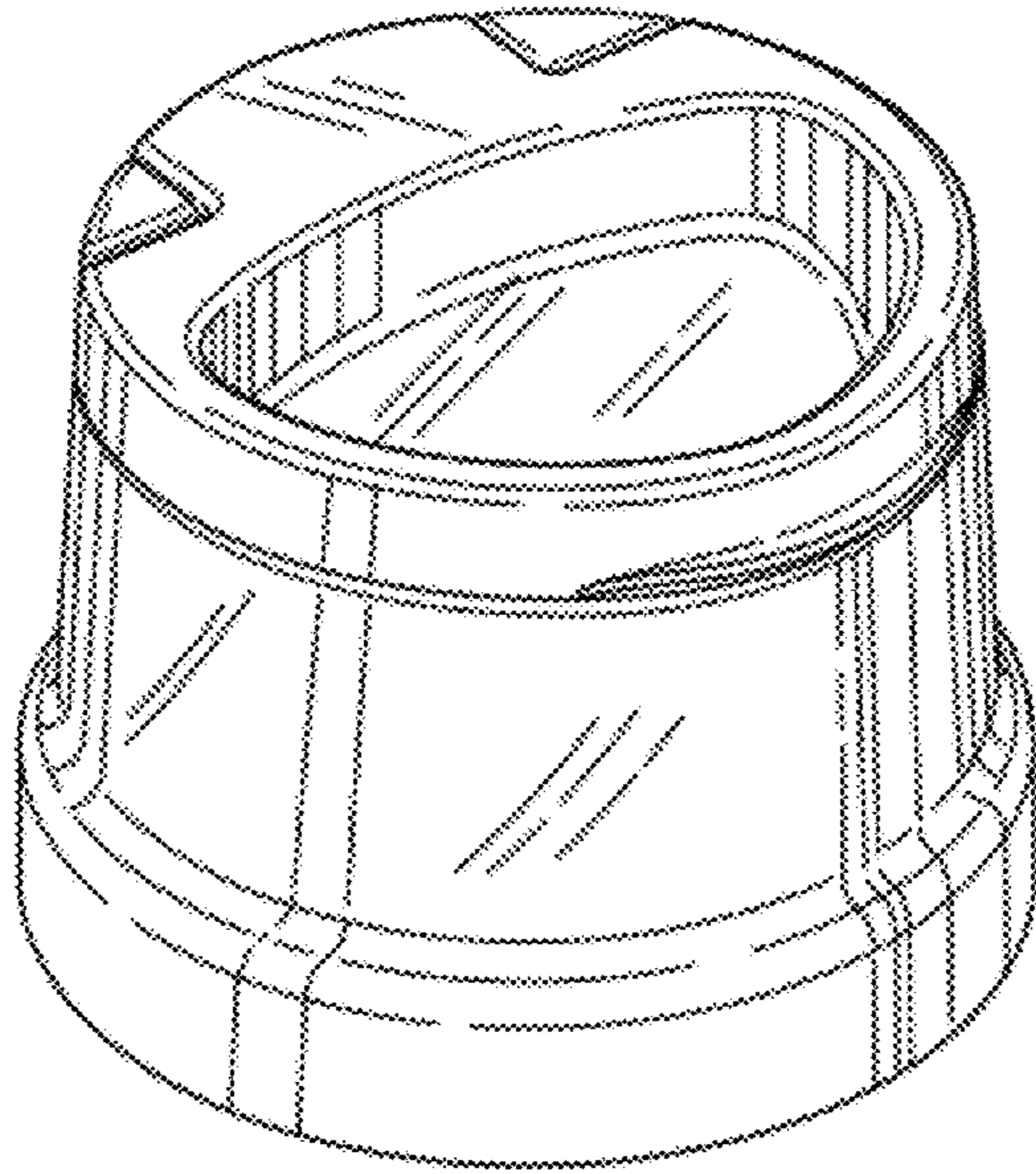


FIG. 1

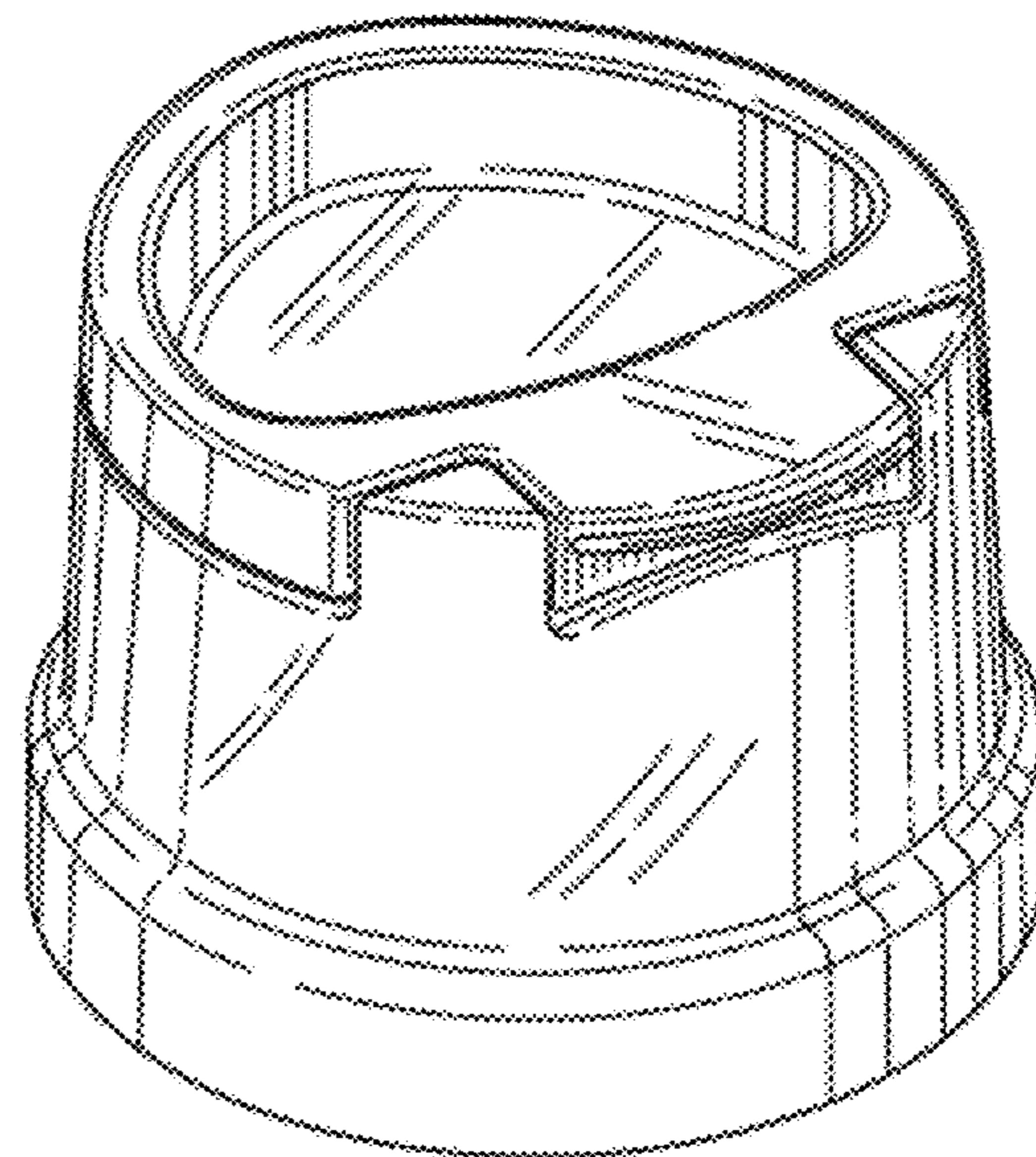


FIG. 2

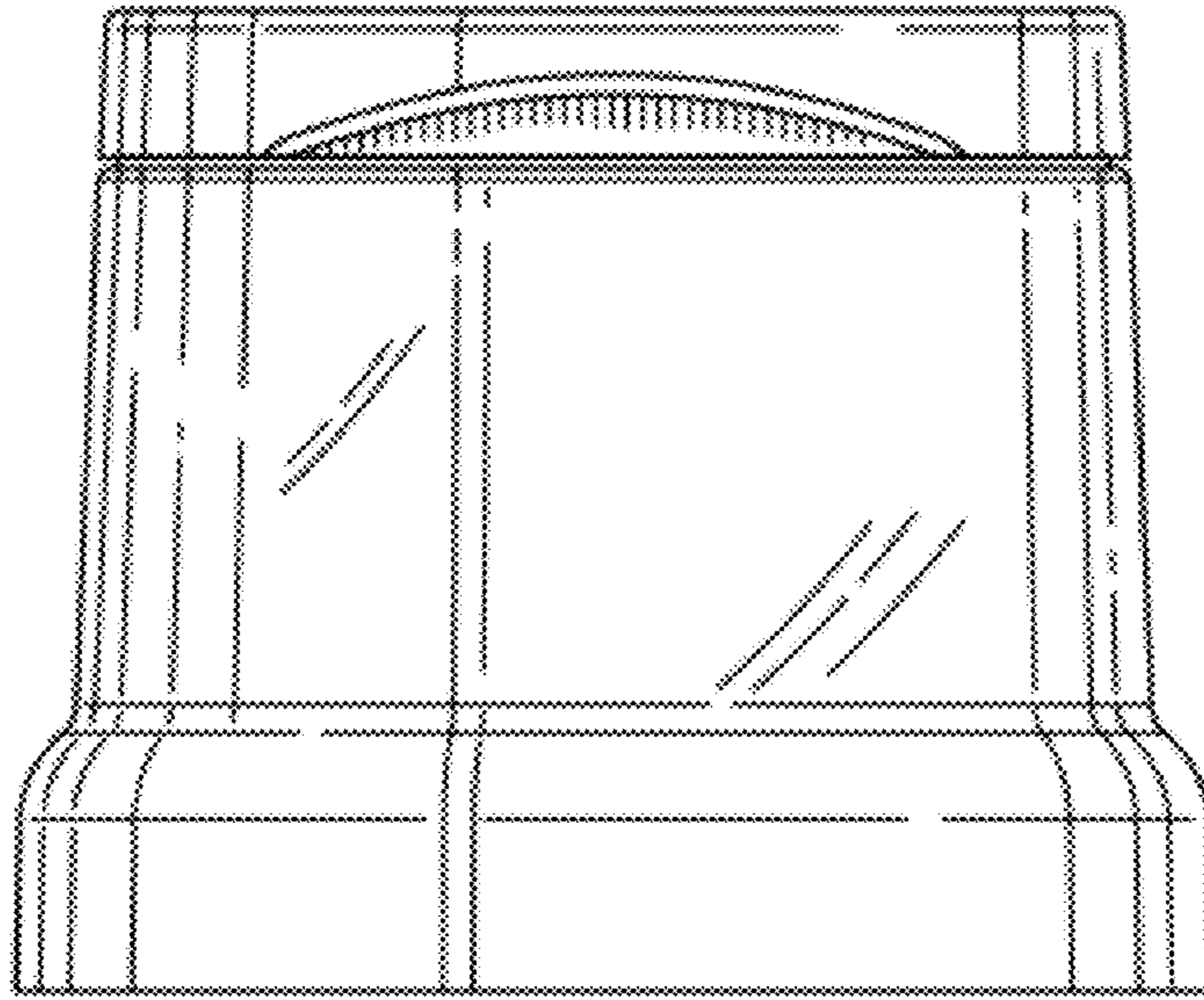


FIG. 3

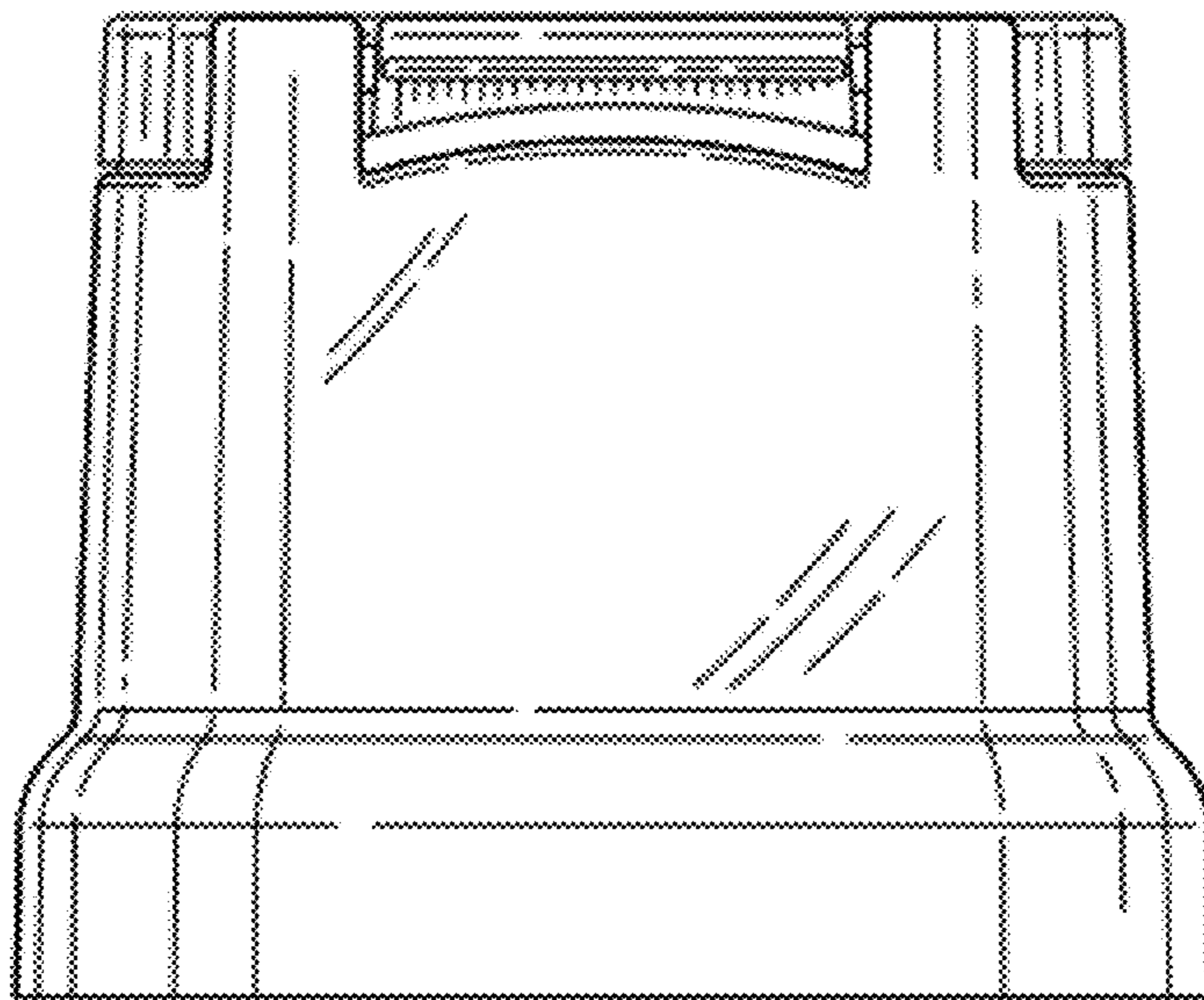


FIG. 4

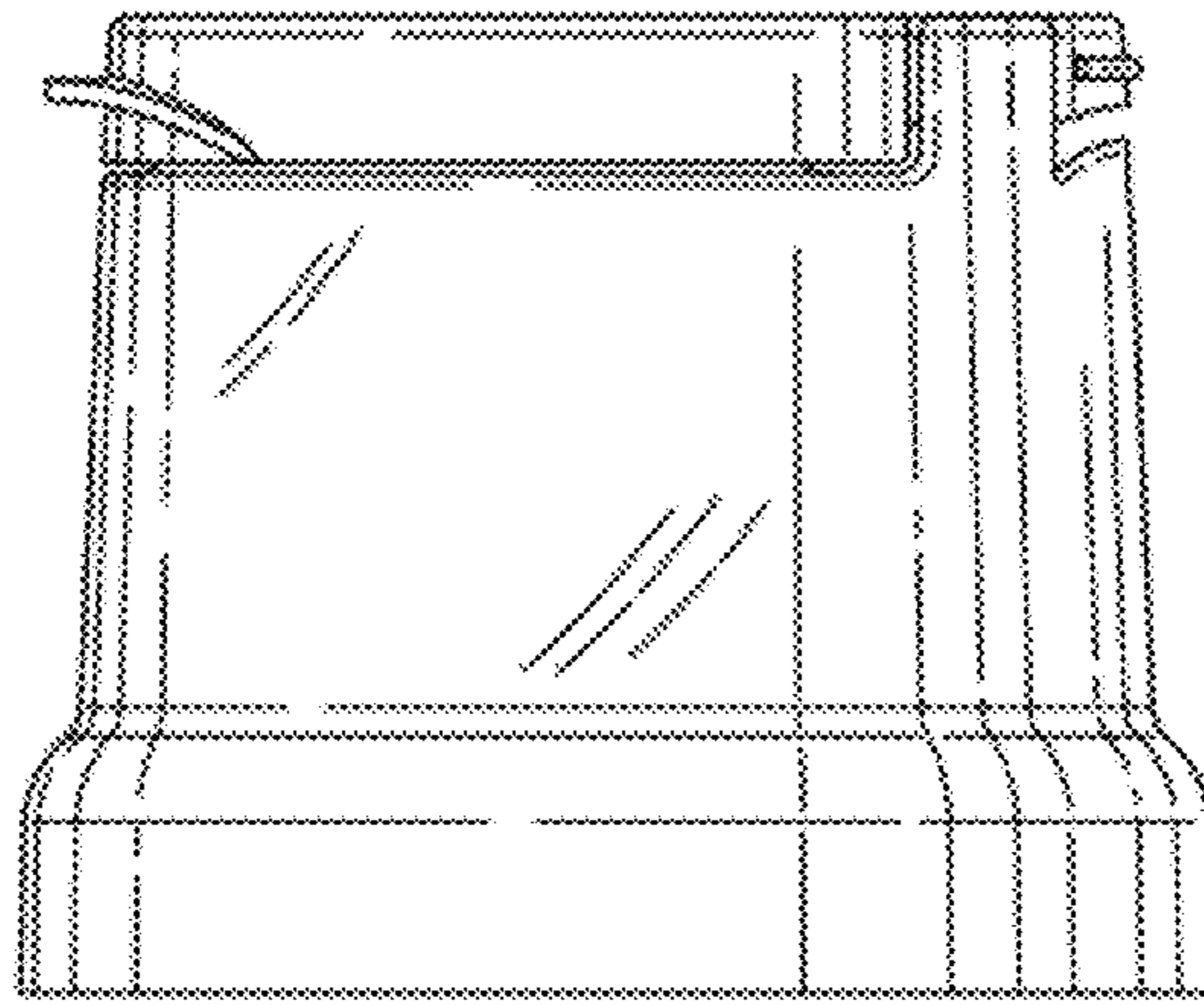


FIG. 5

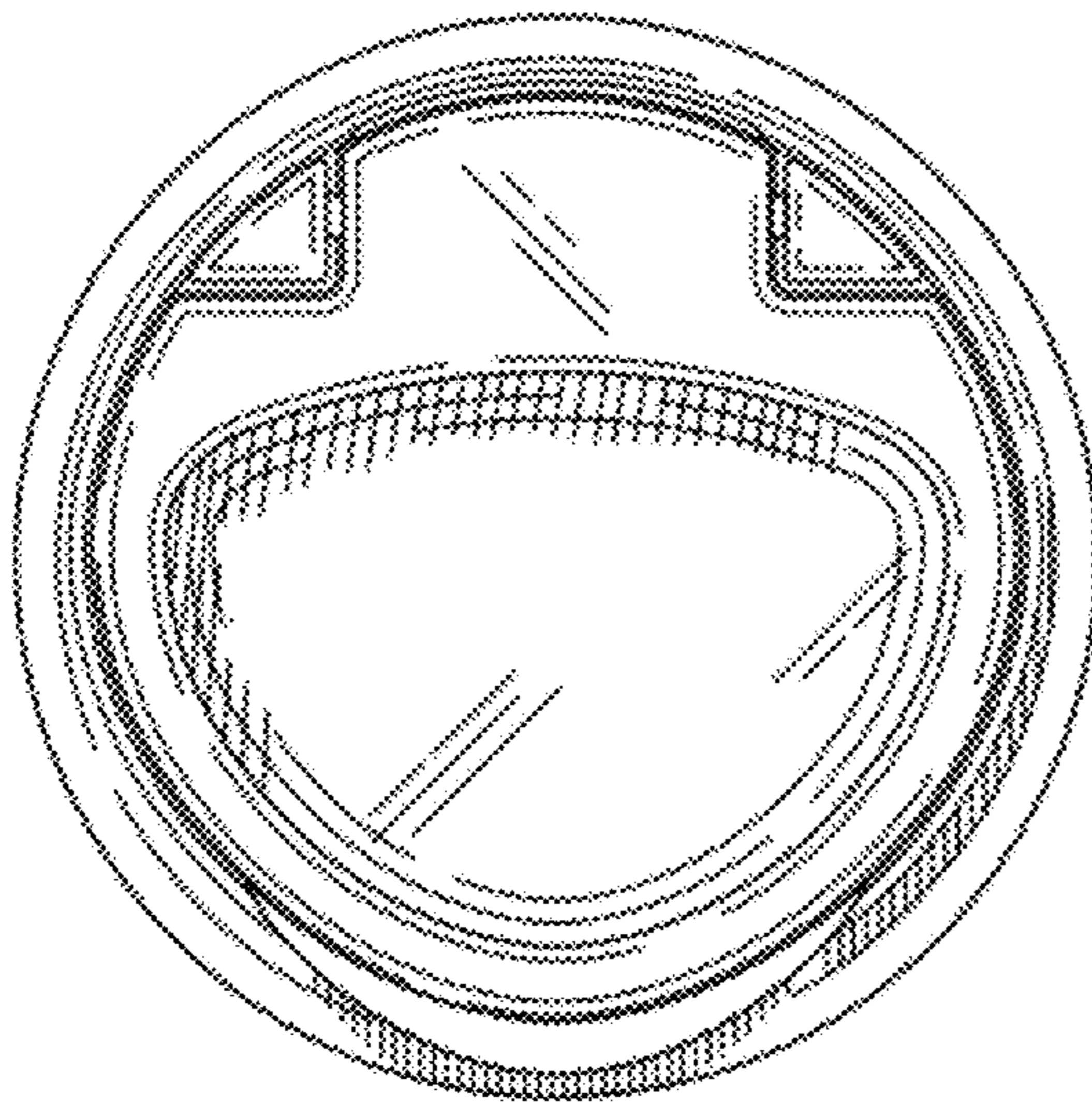


FIG. 6

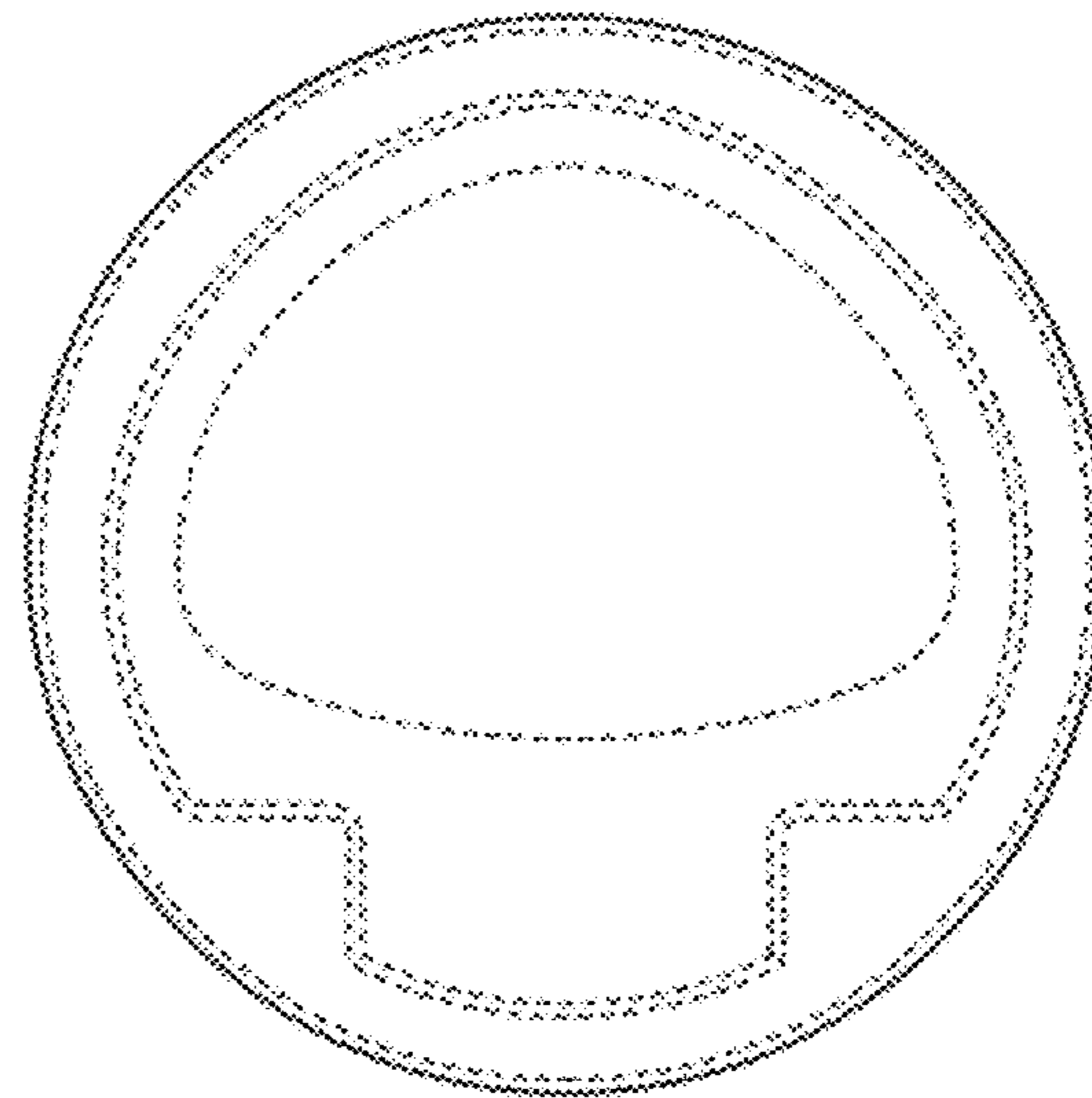


FIG. 7