



US00D673037S

(12) **United States Design Patent**
Wolf

(10) **Patent No.:** **US D673,037 S**
(45) **Date of Patent:** **** Dec. 25, 2012**

(54) **PACKAGE WITH A FLANGED BACK**

(75) Inventor: **Tracy C. Wolf**, St. Charles, IL (US)

(73) Assignee: **Innovative Plastech, Inc.**, Batavia, IL (US)

(**) Term: **14 Years**

(21) Appl. No.: **29/409,412**

(22) Filed: **Dec. 22, 2011**

(51) **LOC (9) Cl.** **09-03**

(52) **U.S. Cl.** **D9/420; D9/426**

(58) **Field of Classification Search** D9/414,
D9/415, 420, 422, 423, 424, 425, 426, 429;
D7/538, 391; 206/508, 520; 220/839, 835,
220/792, 4.23, 4.22

See application file for complete search history.

D624,399 S	9/2010	Hansen et al.	D9/420
D624,402 S	9/2010	Hansen et al.	D9/426
D624,403 S	9/2010	Hansen et al.	D9/426
D624,815 S	10/2010	Hansen et al.	D9/420
D634,616 S	3/2011	Hansen et al.	D9/420
7,931,148 B2	4/2011	Hansen et al.	206/470
2011/0168731 A1	7/2011	Hansen et al.		

OTHER PUBLICATIONS

Mug Hook package, copyright 2008.

* cited by examiner

Primary Examiner — Thomas Johannes

(74) *Attorney, Agent, or Firm* — Brinks Hofer Gilson & Lione

(57) **CLAIM**

We claim the ornamental design for a package with a flanged back, as shown and described.

(56) **References Cited**

U.S. PATENT DOCUMENTS

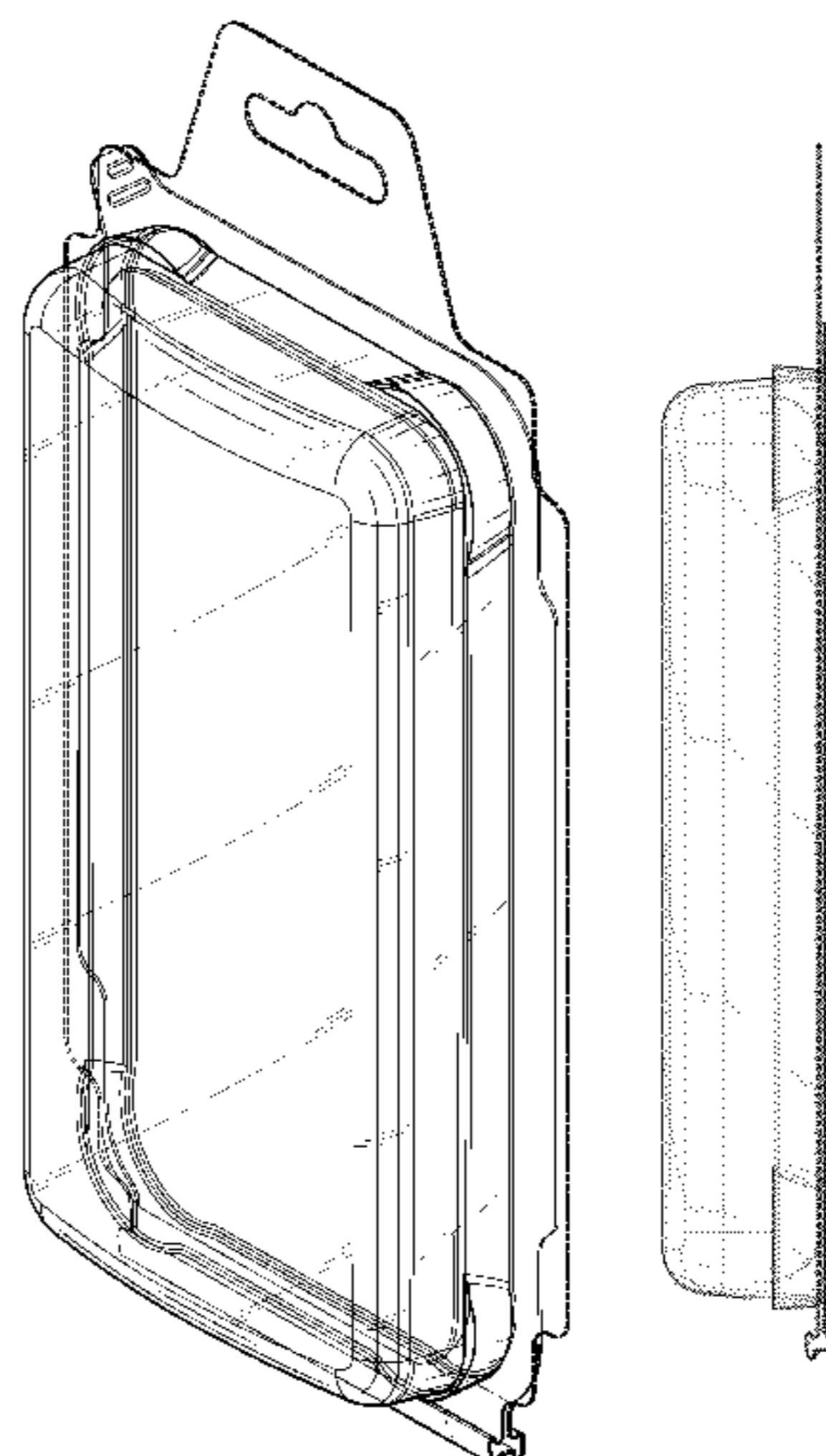
3,082,903 A *	3/1963	Stevens et al.	220/833
4,083,451 A	4/1978	Hair		
D263,684 S	4/1982	Davis	D9/426
4,456,124 A	6/1984	Kay et al.		
4,570,818 A *	2/1986	Borst et al.	220/835
4,666,037 A	5/1987	Weissman	206/63.5
4,687,129 A *	8/1987	Cugley	220/315
D305,000 S	12/1989	Hernandez	D9/415
5,092,479 A	3/1992	Wells	220/4.23
D376,314 S	12/1996	Krupa	D9/425
D411,448 S	6/1999	Baker	D9/415
D420,905 S	2/2000	Adkins	D9/415
6,053,321 A *	4/2000	Kayser	206/470
6,244,444 B1 *	6/2001	Jacobus et al.	206/703
D448,288 S	9/2001	Zettle et al.	D9/425
6,308,832 B1	10/2001	Pirro et al.		
D479,127 S	9/2003	Jowett	D9/425
D531,028 S	10/2006	Weiss et al.	D9/435
D534,421 S	1/2007	Tanner	D9/420
D553,489 S	10/2007	Lambert et al.	D9/425
D600,113 S	9/2009	Edwards et al.	D9/425
D601,014 S	9/2009	Petitjean	D9/426
D606,392 S	12/2009	Prevost	D9/415
D615,858 S	5/2010	Prevost	D9/415

DESCRIPTION

FIG. 1 is a front perspective view of a package with a flanged back in a closed position;
FIG. 2 is a front plan view thereof;
FIG. 3; is a back plan view thereof;
FIG. 4 is a right side elevation view thereof;
FIG. 5 is a left side elevation view thereof;
FIG. 6 is a top elevation view thereof;
FIG. 7 is a bottom elevation view thereof; and
FIG. 8 is a front plan view of a package with a flanged back in a fully open position;
FIG. 9 is a left side elevation view thereof;
FIG. 10 is a back perspective view of a package with a flanged back in a partially open position; and,
FIG. 11 is a back plan view of a package with a flanged back in a closed position.

The dashed broken line portions of the drawings are included to show unclaimed subject matter; and, the dot-dash broken lines delineate claim boundaries. The broken lines, themselves, form no part of the claimed design.

1 Claim, 11 Drawing Sheets



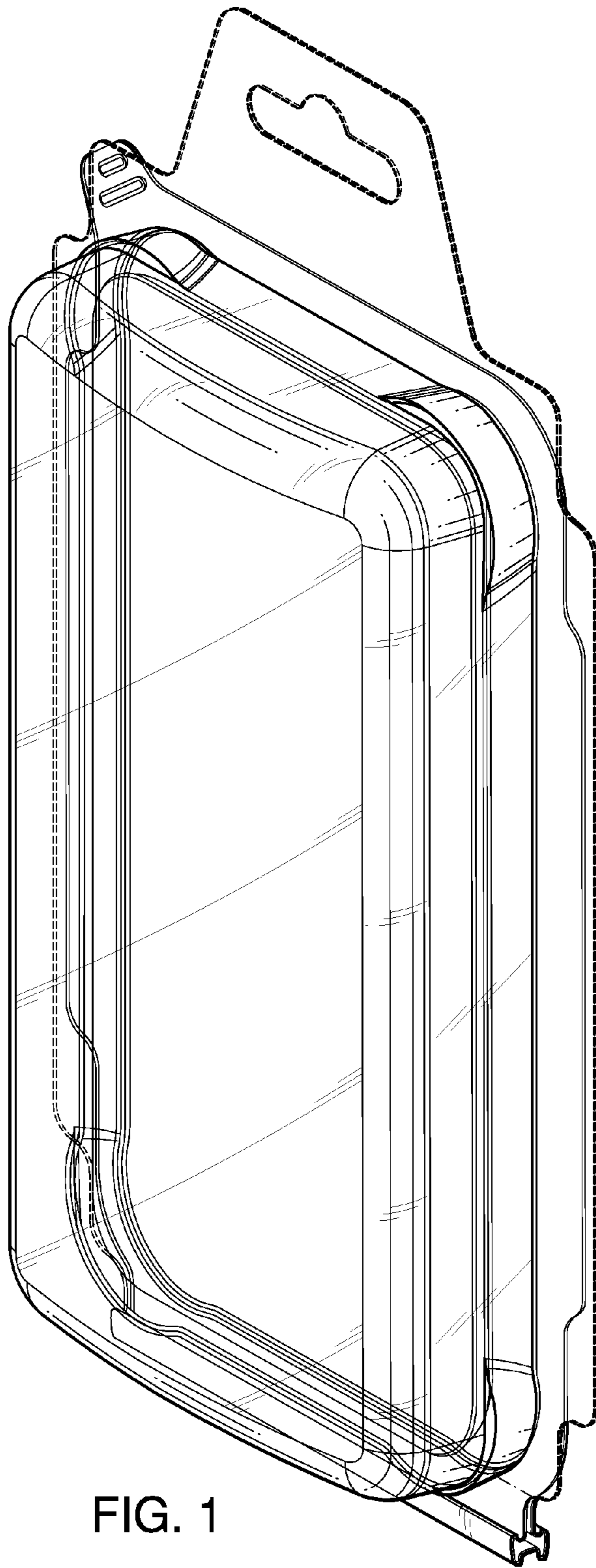


FIG. 1

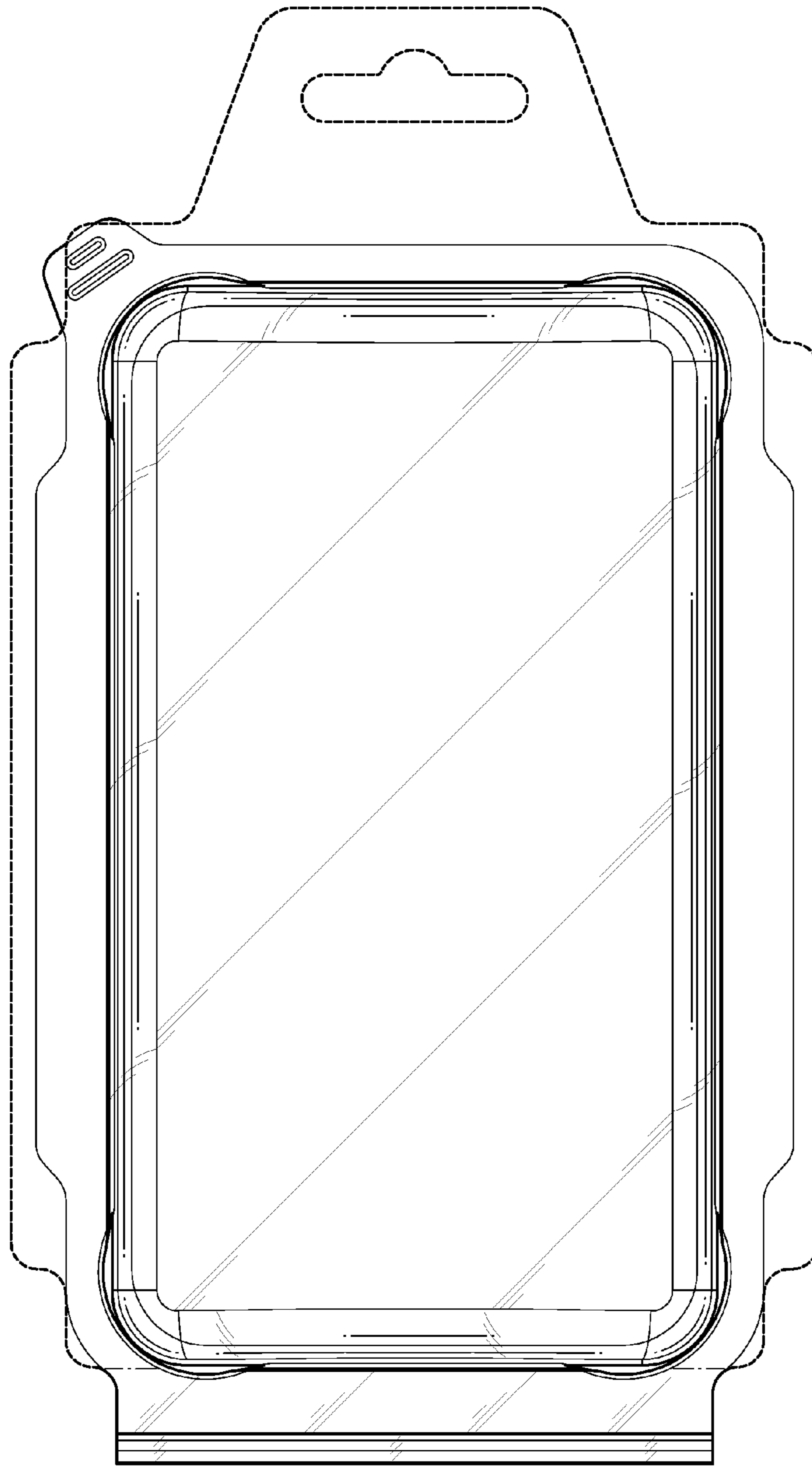


FIG. 2

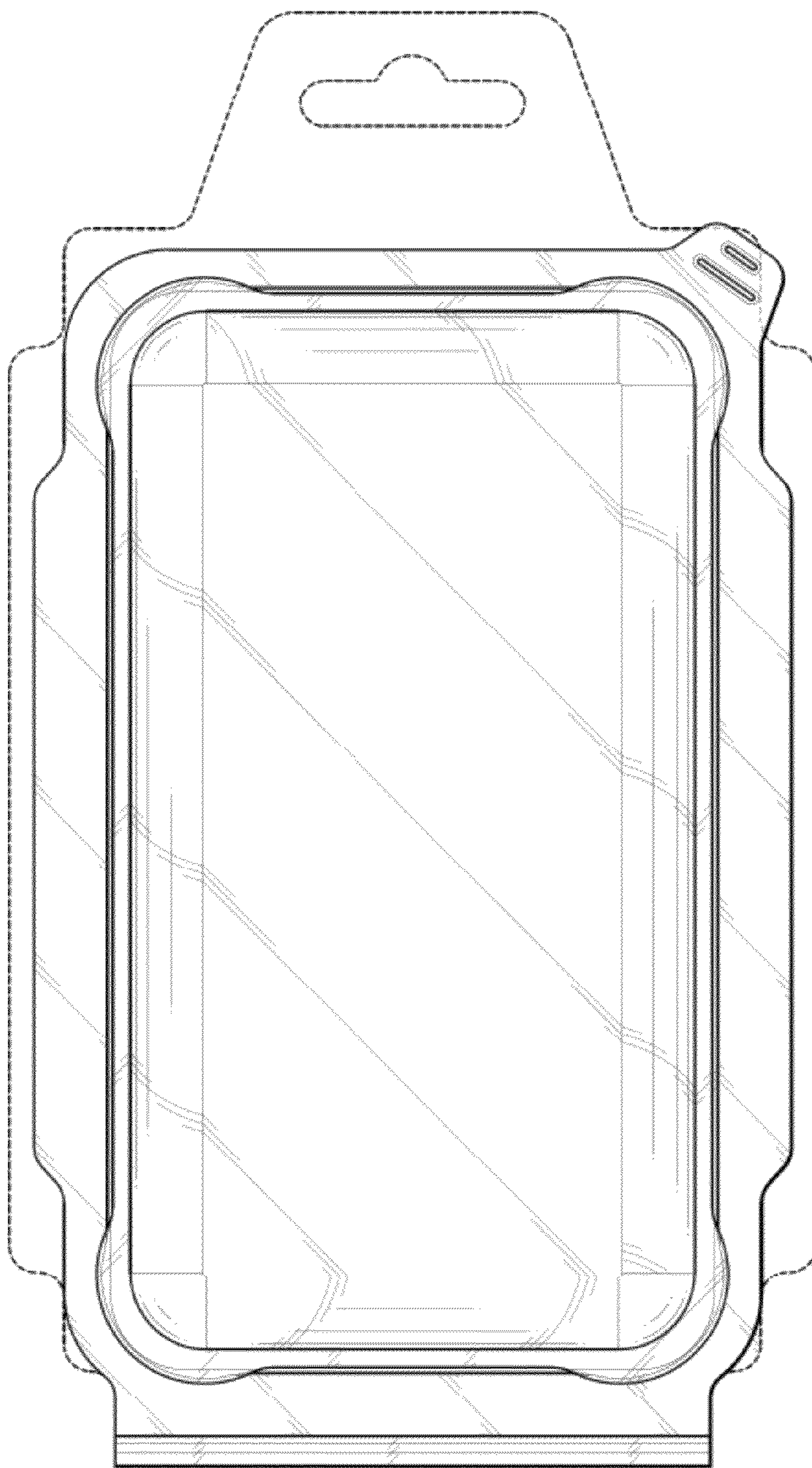


FIG. 3

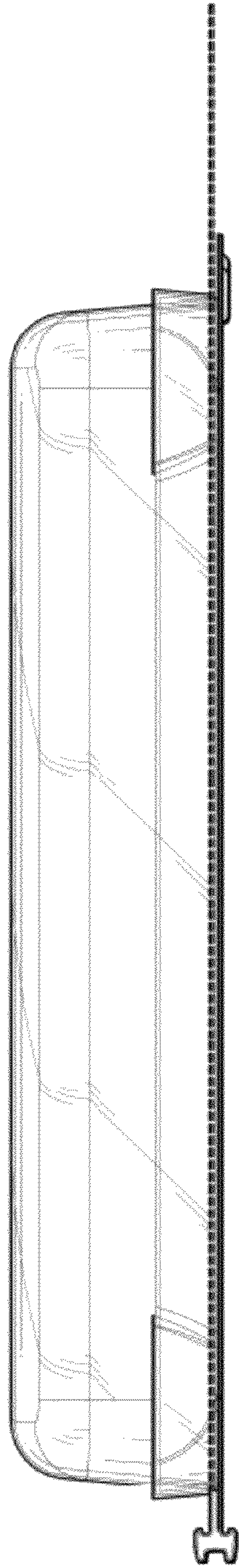


FIG. 4

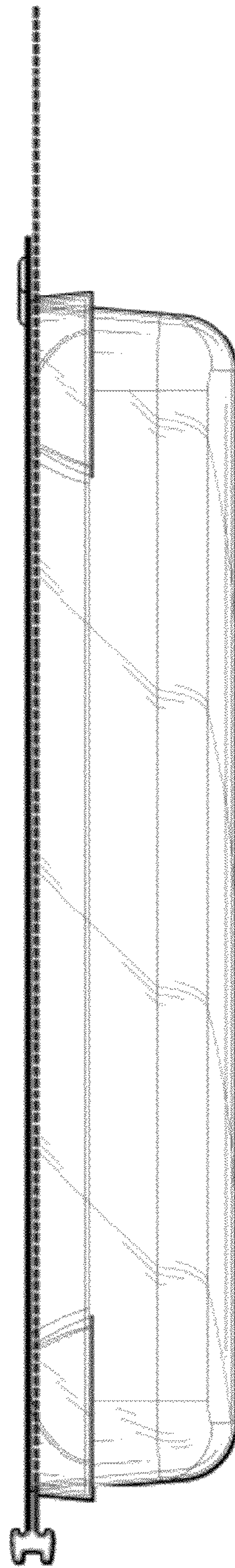


FIG. 5

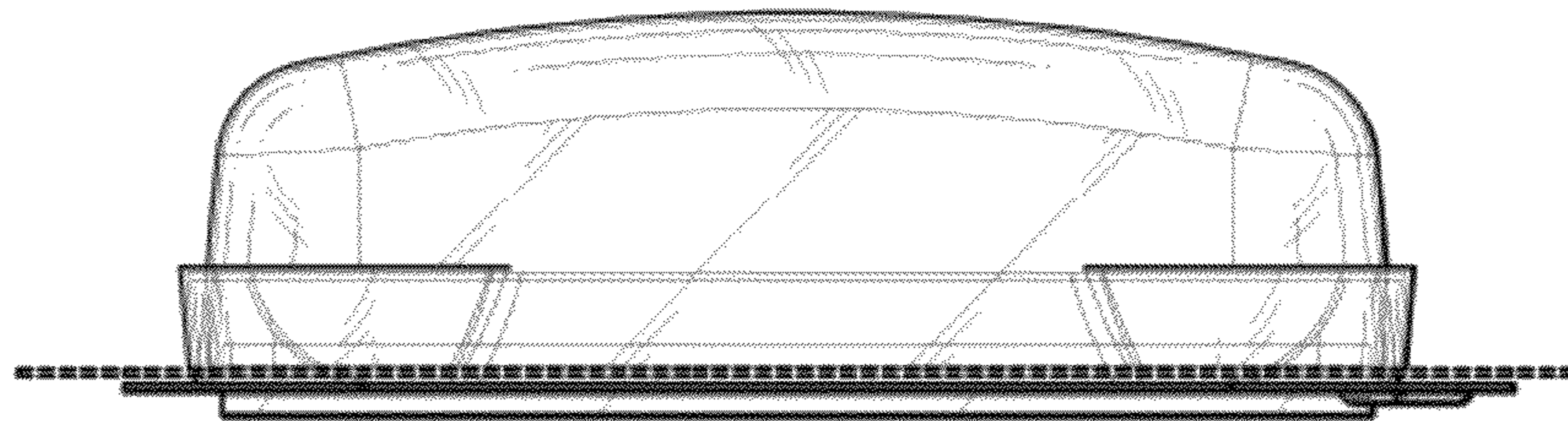


FIG. 6

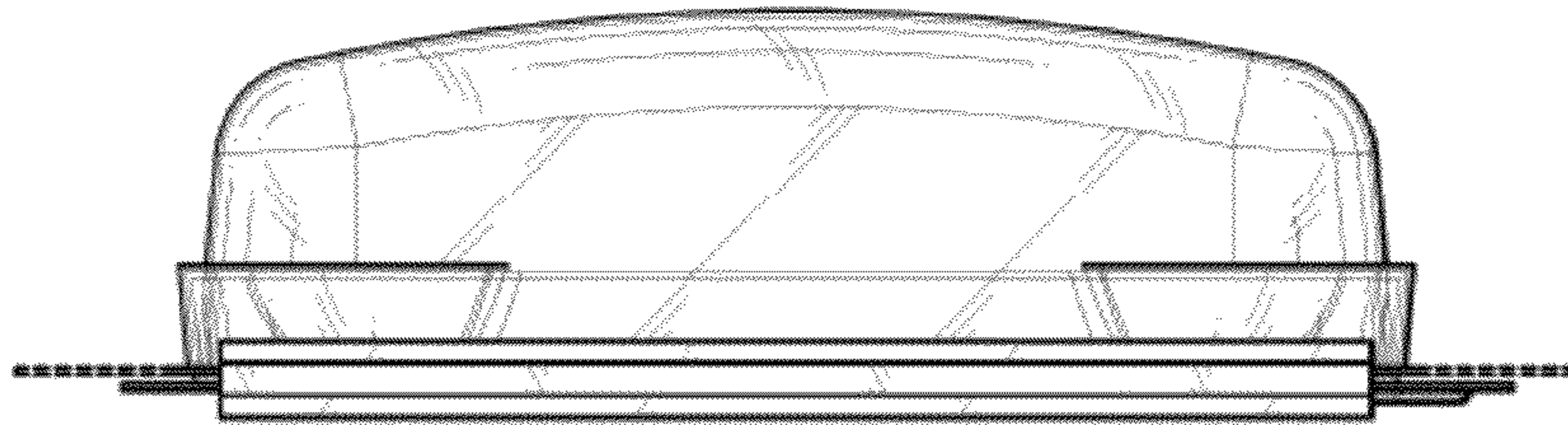


FIG. 7

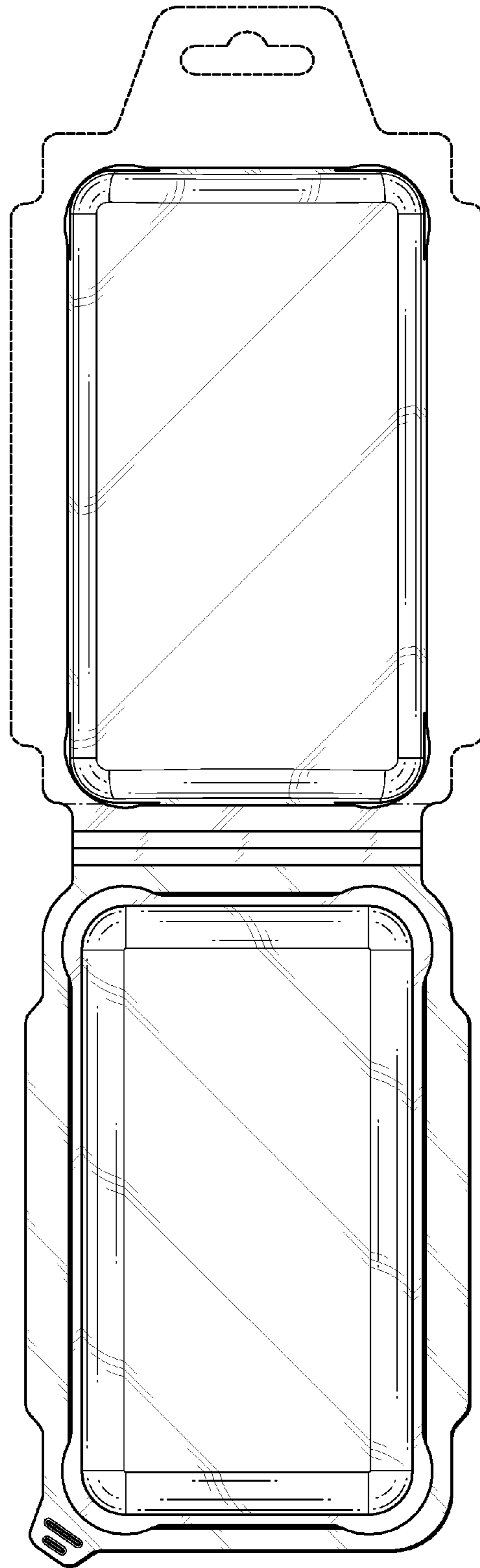


FIG. 8

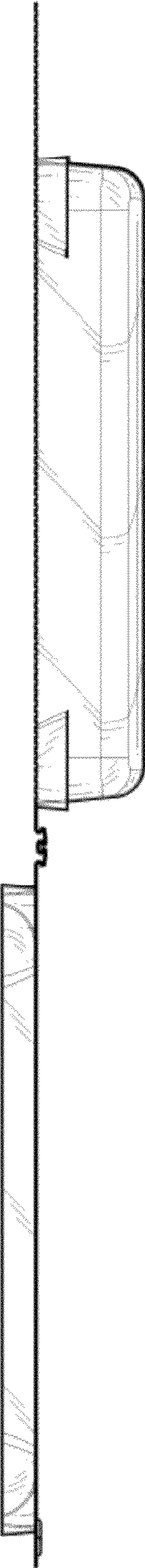


FIG. 9

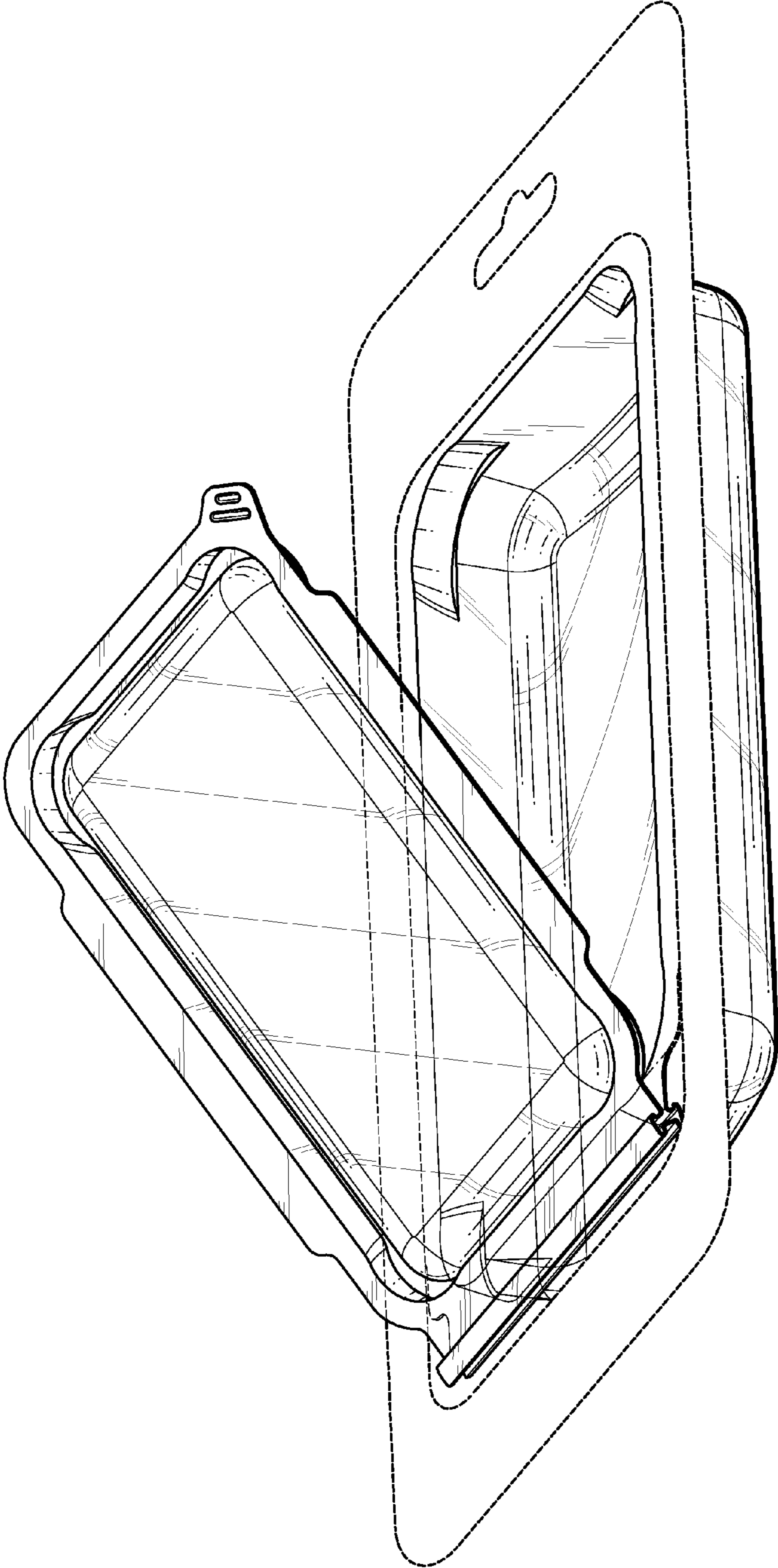


FIG. 10

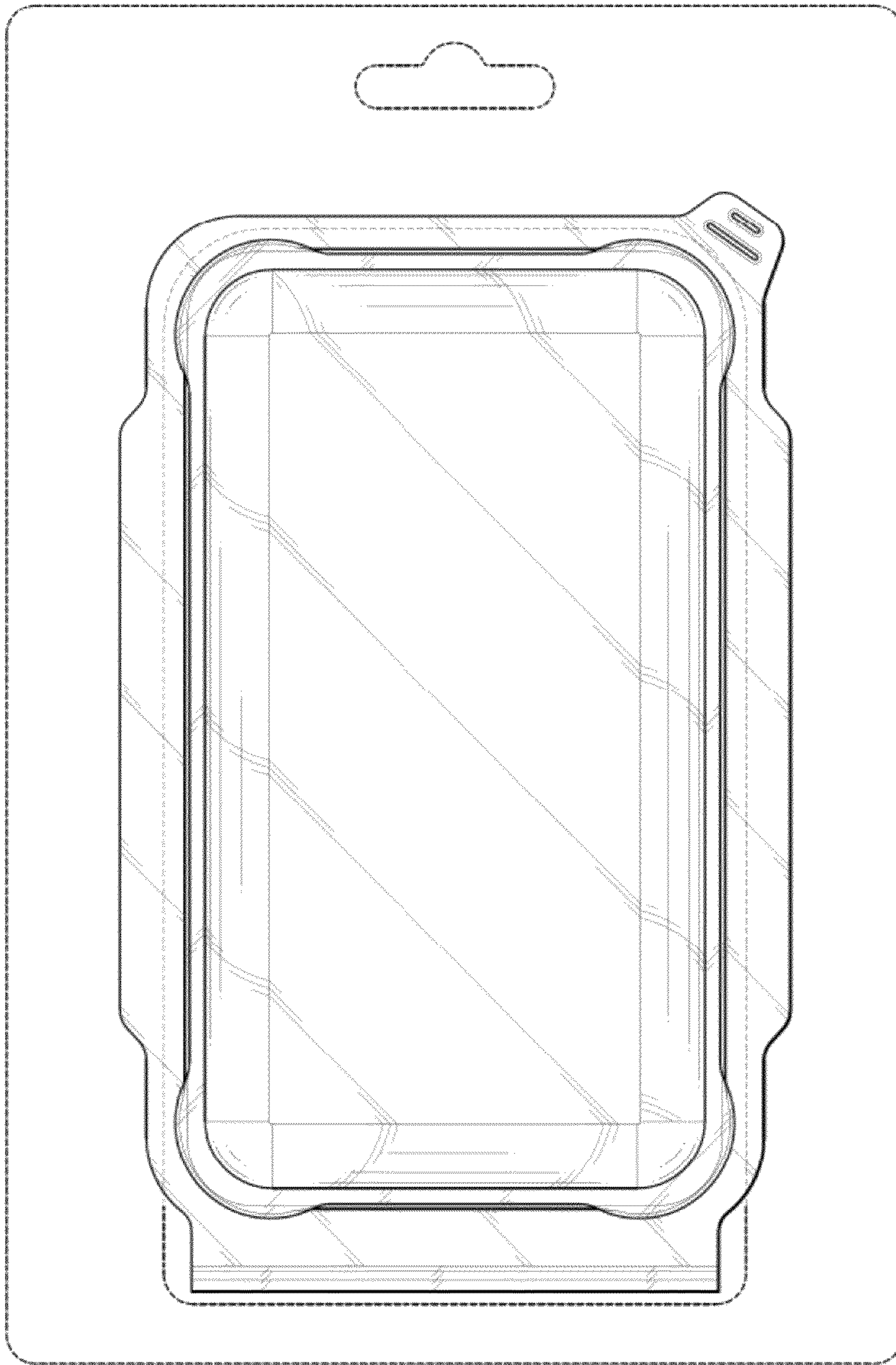


FIG. 11