



US00D673032S

(12) **United States Design Patent**
Tak et al.

(10) **Patent No.:** **US D673,032 S**
(45) **Date of Patent:** **** Dec. 25, 2012**

(54) **HAND CLIP**

DESCRIPTION

(75) Inventors: **Junggeun Tak**, Newton Upper Falls, MA (US); **Kevin Young**, Needham, MA (US)

(73) Assignee: **Continuum, LLC**, West Newton, MA (US)

(**) Term: **14 Years**

(21) Appl. No.: **29/416,164**

(22) Filed: **Mar. 19, 2012**

(51) **LOC (9) Cl.** **08-08**

(52) **U.S. Cl.** **D8/395; D14/447**

(58) **Field of Classification Search** D8/394–396, D8/72; D19/56, 65; D32/60–64; D28/40; 24/67.3; D14/447, 251, 253, 375, 451; 132/277, 132/279

See application file for complete search history.

(56) **References Cited**

U.S. PATENT DOCUMENTS

1,844,774	A *	2/1932	Locki	24/507
D171,091	S *	12/1953	Karpel	D8/395
2,849,008	A *	8/1958	Offen	132/277
3,100,922	A *	8/1963	Burniston	248/73
D234,925	S *	4/1975	Kallansrud	D8/363
3,983,887	A *	10/1976	Chan	132/277
D304,978	S *	12/1989	Harrington	D8/395
D329,372	S *	9/1992	Wilms	D8/380
5,153,969	A *	10/1992	Arrendiell et al.	24/499

(Continued)

Primary Examiner — John Windmuller

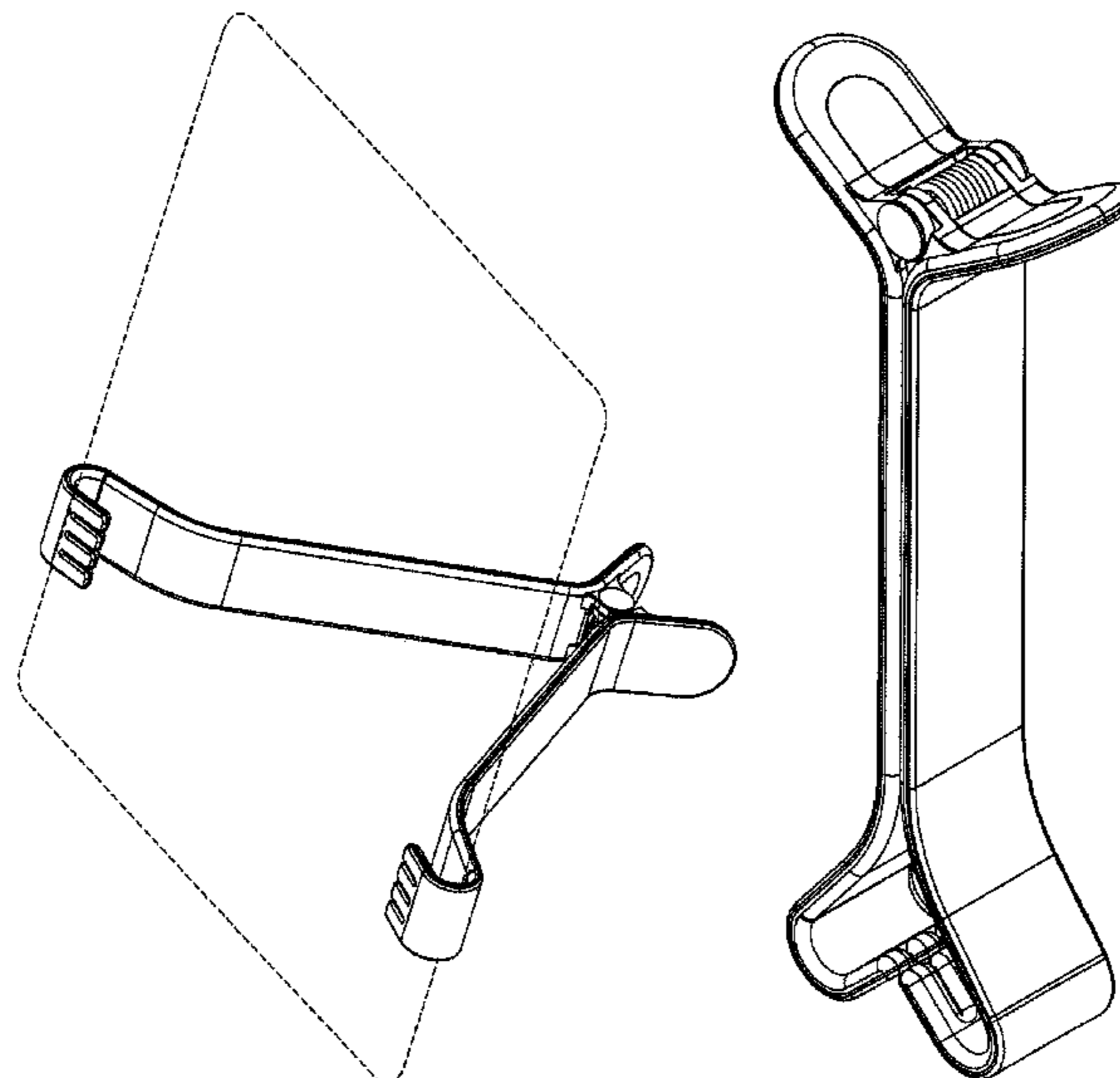
(74) *Attorney, Agent, or Firm* — Morse, Barnes-Brown & Pendleton, P.C.; Stanley F. Chavire, Esq.

(57) **CLAIM**

The ornamental design for a hand clip, as shown and described.

FIG. 1 is a front perspective view of the hand clip supporting an electronic tablet device in the portrait configuration. FIG. 2 is a front perspective view of the hand clip supporting an electronic tablet device in the landscape configuration. FIG. 3 is a front view of the hand clip supporting an electronic tablet device in the landscape configuration. FIG. 4 is a left side view of the hand clip supporting an electronic tablet device in the portrait configuration. FIG. 5 is a top view of the hand clip supporting an electronic tablet device in the portrait configuration. FIG. 6 is a left side view of the hand clip supporting an electronic tablet device in the landscape configuration. FIG. 7 is a top view of the hand clip supporting an electronic tablet device in the landscape configuration. FIG. 8 is a front view of the hand clip supporting an electronic tablet device in the portrait configuration. FIG. 9 is an elevated side perspective view of the hand clip in a closed configuration without an electronic tablet device depicted. FIG. 10 is a side perspective view of the hand clip in a closed configuration without an electronic tablet device depicted. FIG. 11 is a left side view of the hand clip in a closed configuration without an electronic tablet device depicted. FIG. 12 is a top view of the hand clip in a closed configuration without an electronic tablet device depicted. FIG. 13 is a right side view of the hand clip in a closed configuration without an electronic tablet device depicted. FIG. 14 is a rear perspective view of the hand clip in a closed configuration without an electronic tablet device depicted; and, FIG. 15 is a front perspective view of the hand clip in a closed configuration without an electronic tablet device depicted. The broken-line showing of an electronic tablet device in the figures is for illustrative purposes only and forms no part of the claimed design.

1 Claim, 11 Drawing Sheets



US D673,032 S

Page 2

U.S. PATENT DOCUMENTS

D342,890 S *	1/1994	Ramierz	D8/395	D599,651 S *	9/2009	Riggsbee	D8/395
D365,018 S *	12/1995	Ellis et al.	D8/395	8,240,318 B2 *	8/2012	Choi	132/277
D575,293 S *	8/2008	Derry et al.	D14/447	2009/0056738 A1 *	3/2009	Tojo et al.	132/270
D593,852 S *	6/2009	Hoebeek	D8/394	2011/0023905 A1 *	2/2011	Choi	132/277
D598,279 S *	8/2009	Seehoff et al.	D8/395	2011/0106103 A1 *	5/2011	Levi	606/133

* cited by examiner

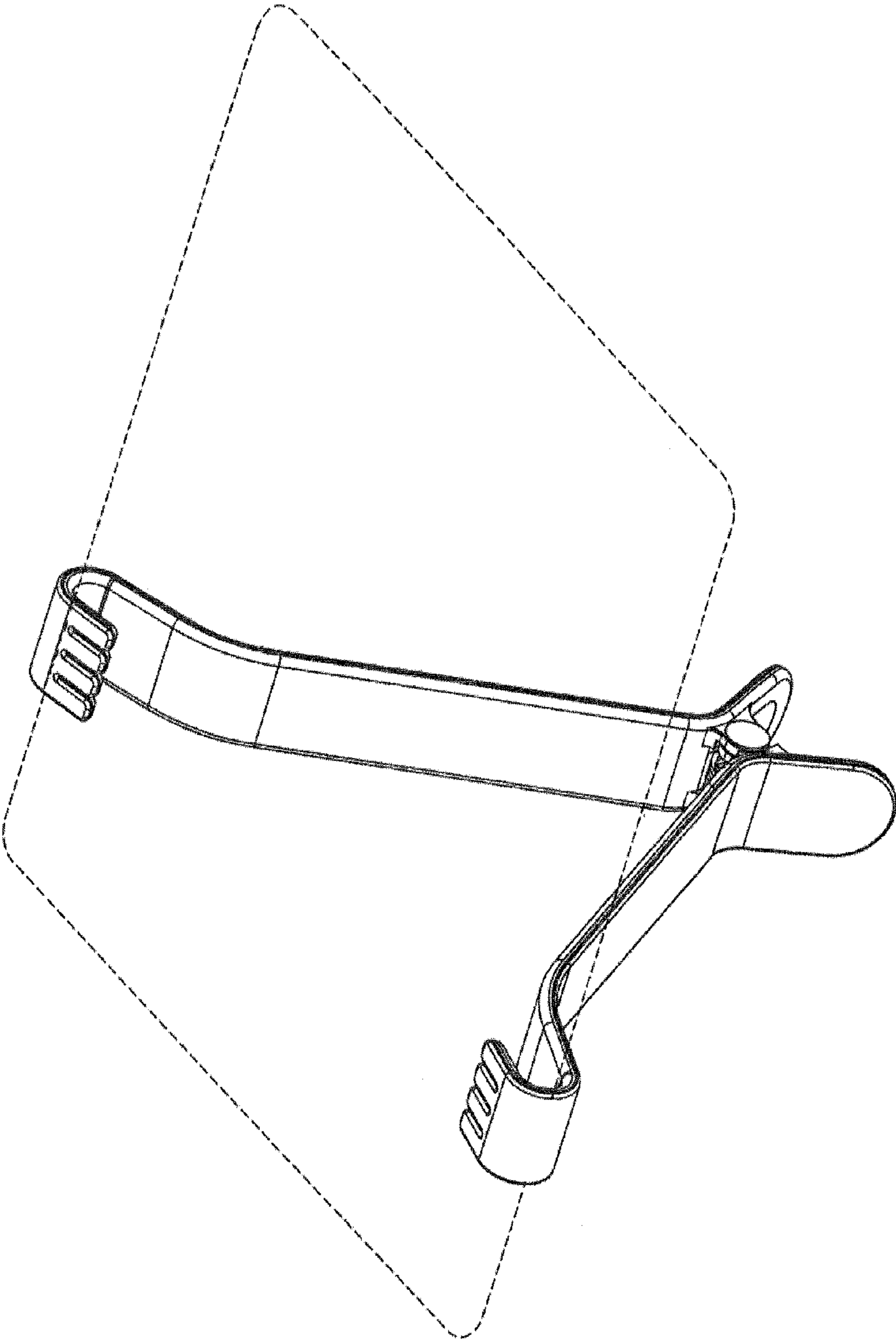


FIG. 1

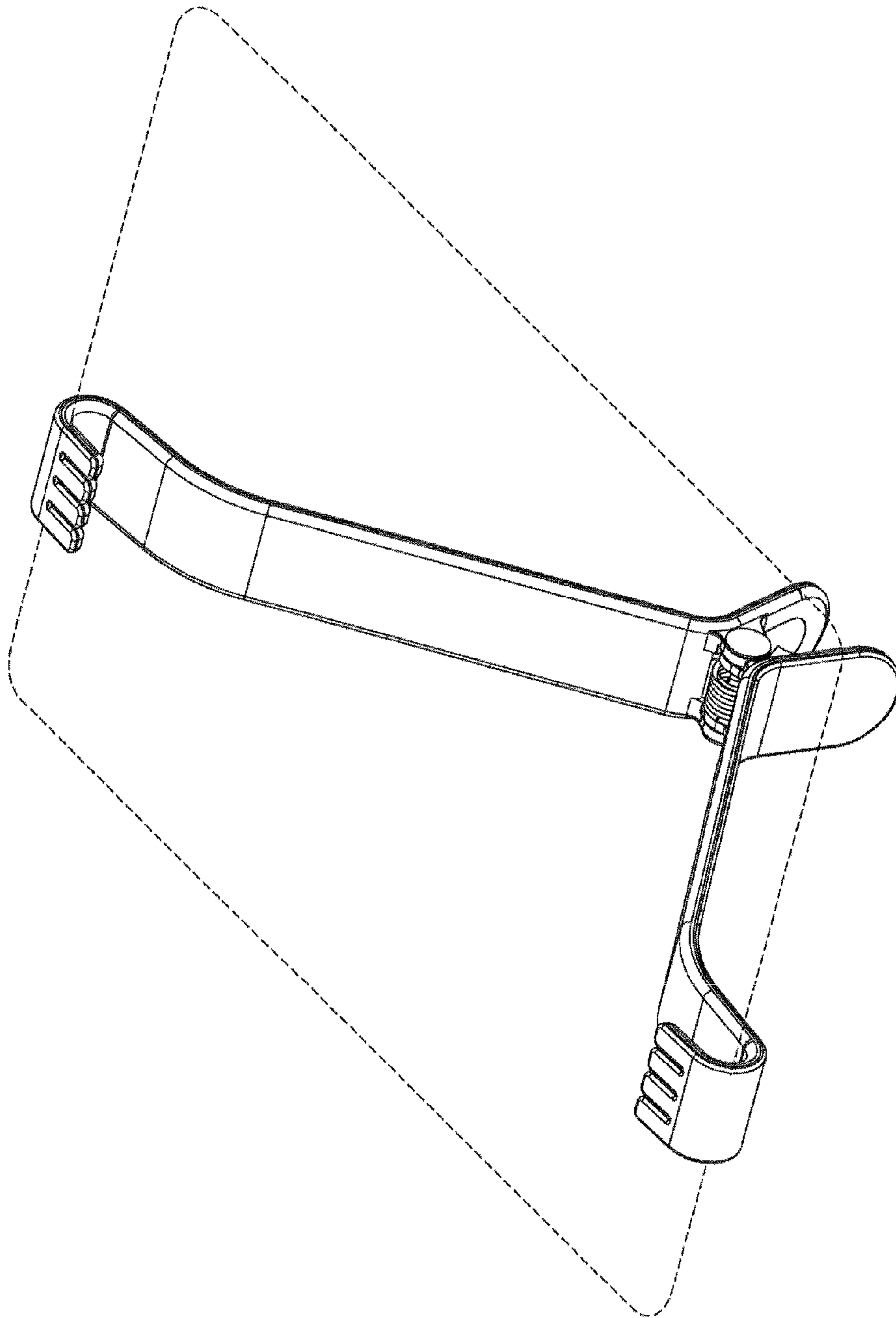


FIG. 2

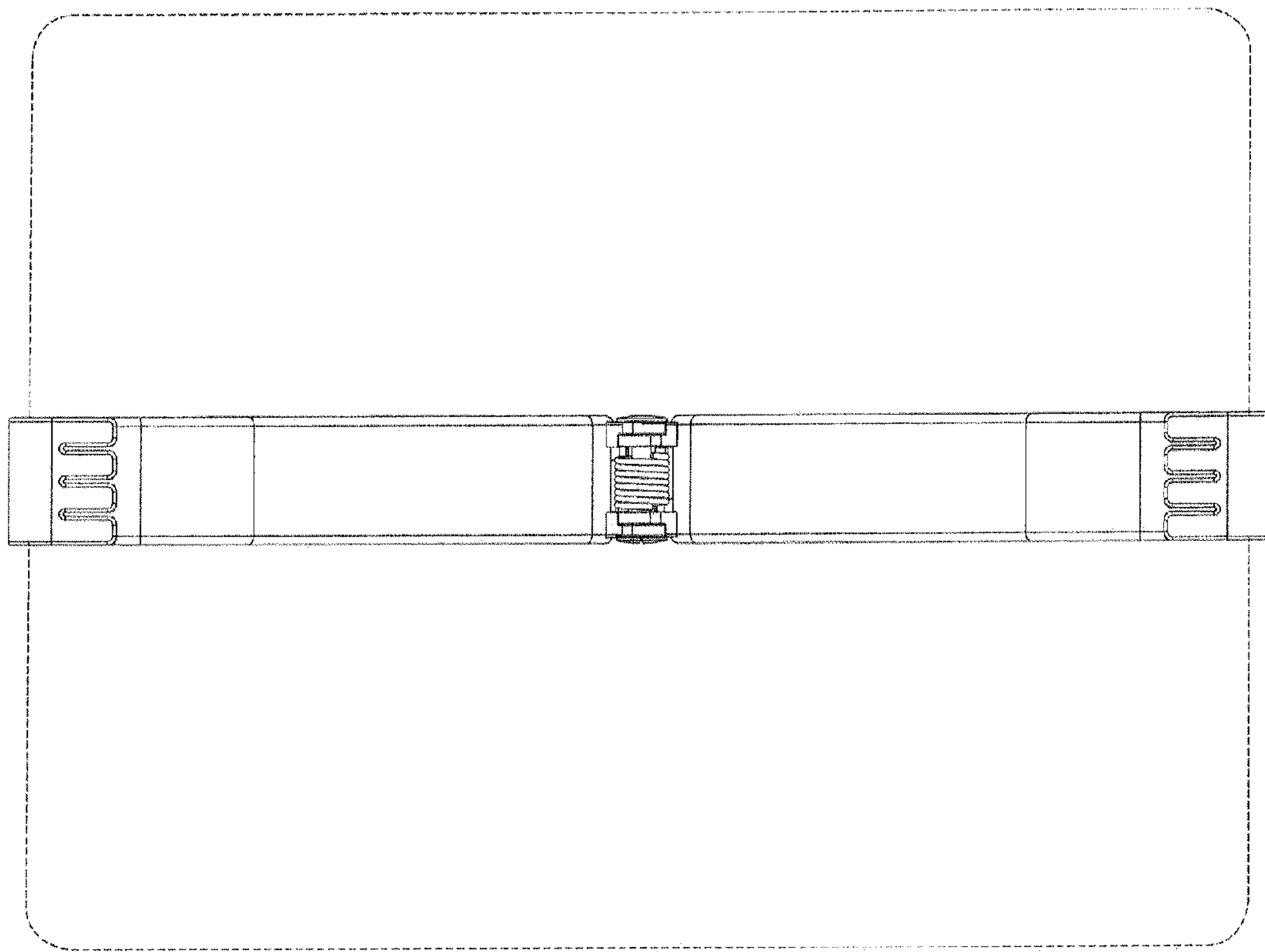


FIG. 3

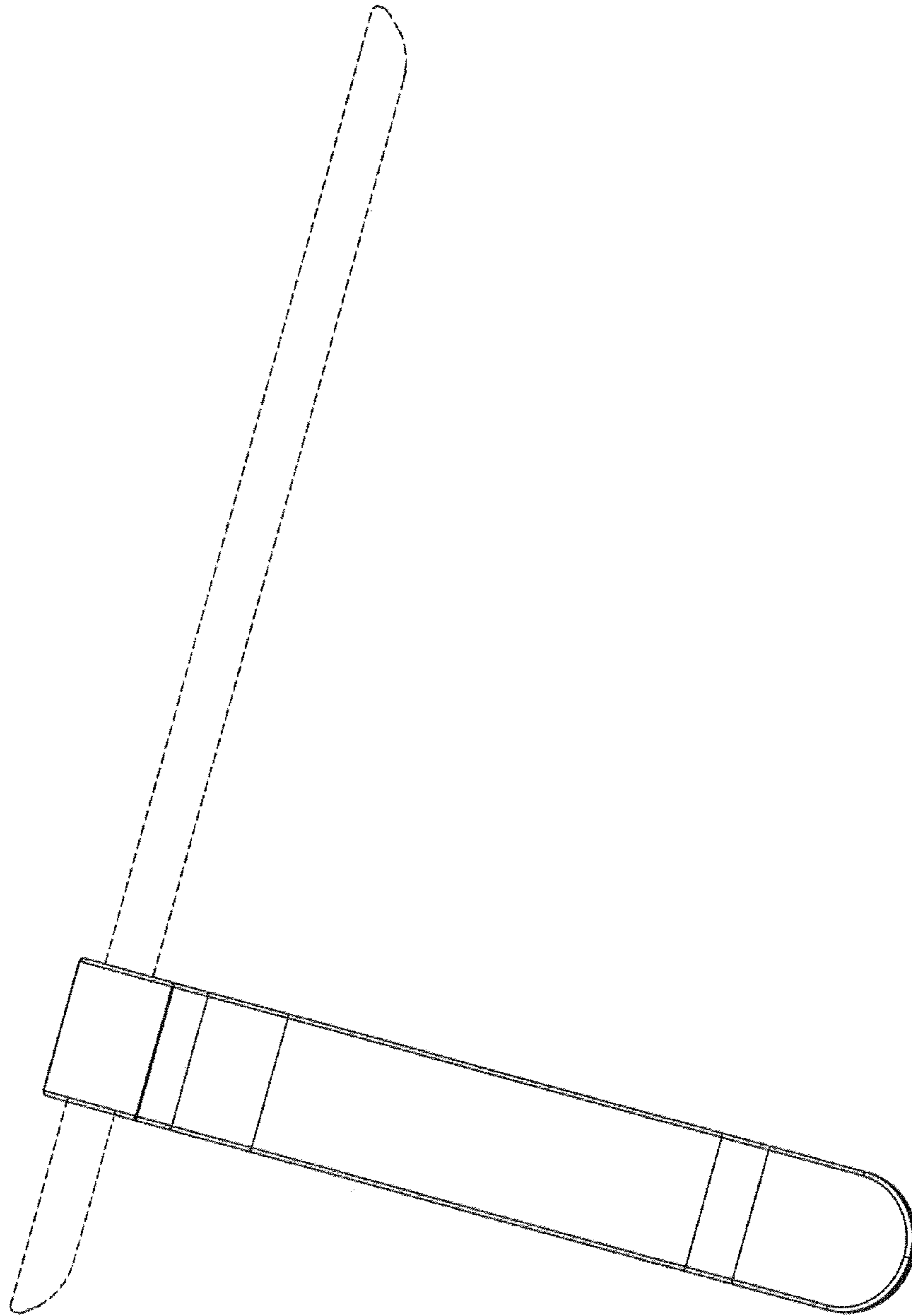


FIG. 4

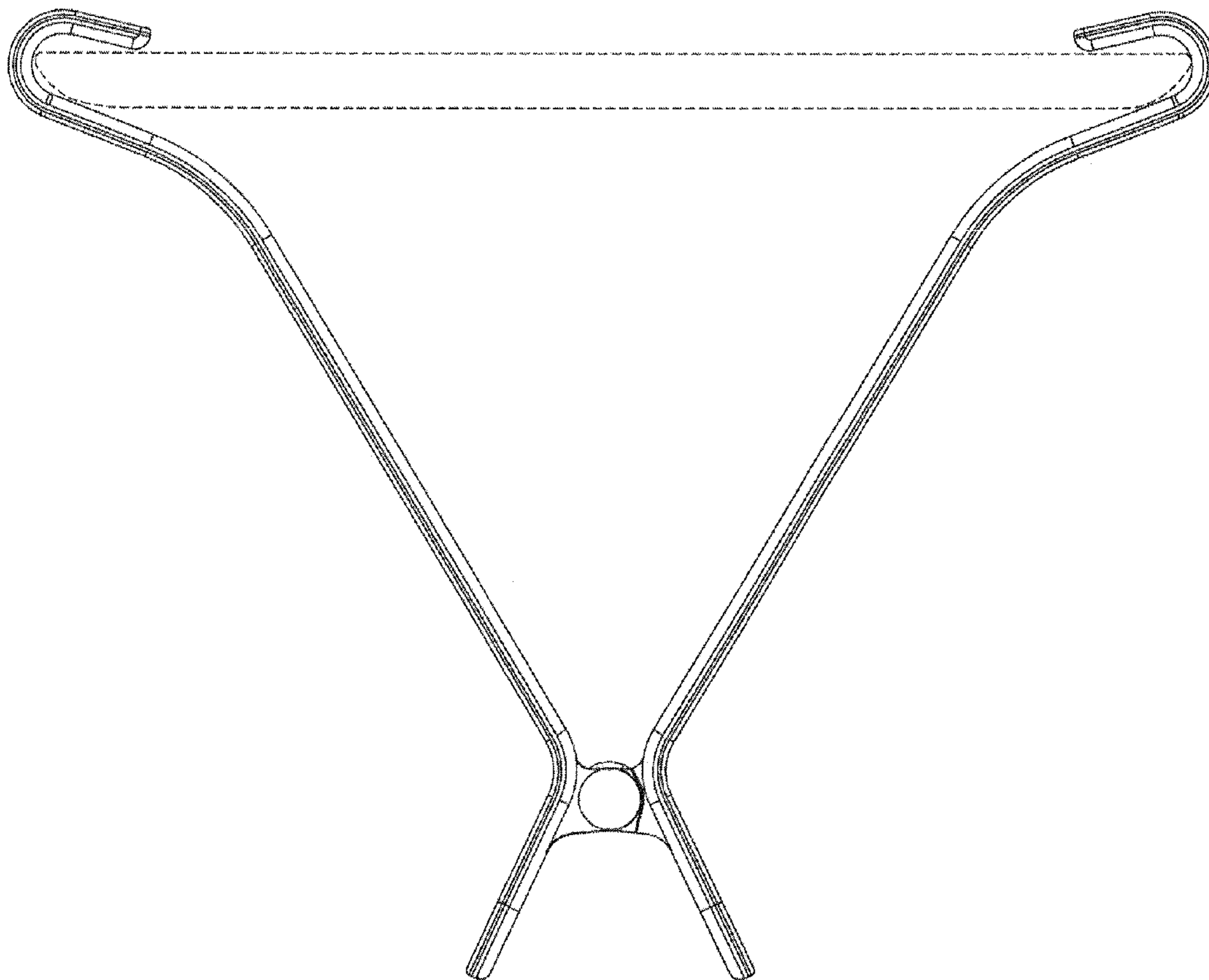


FIG. 5

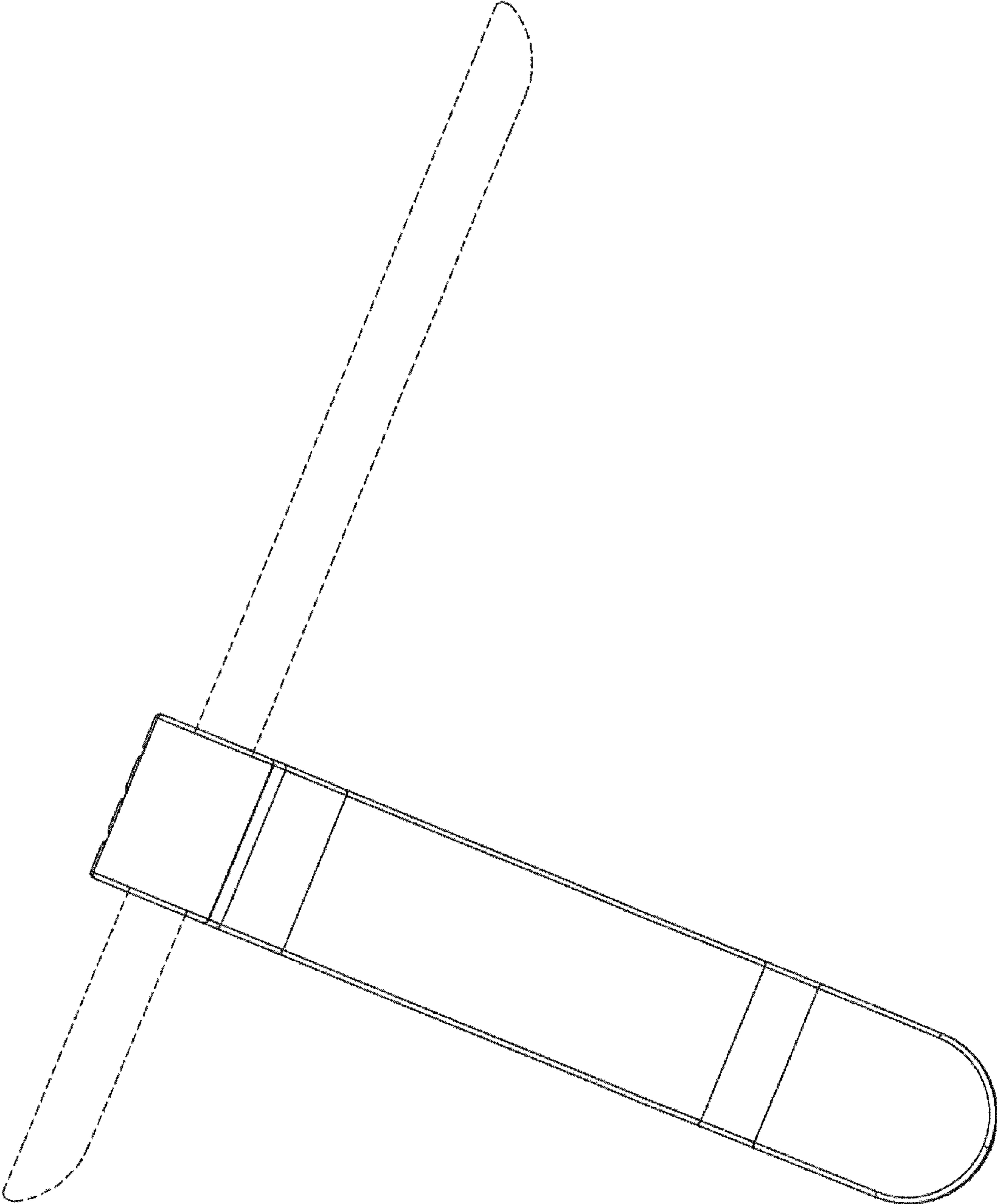


FIG. 6

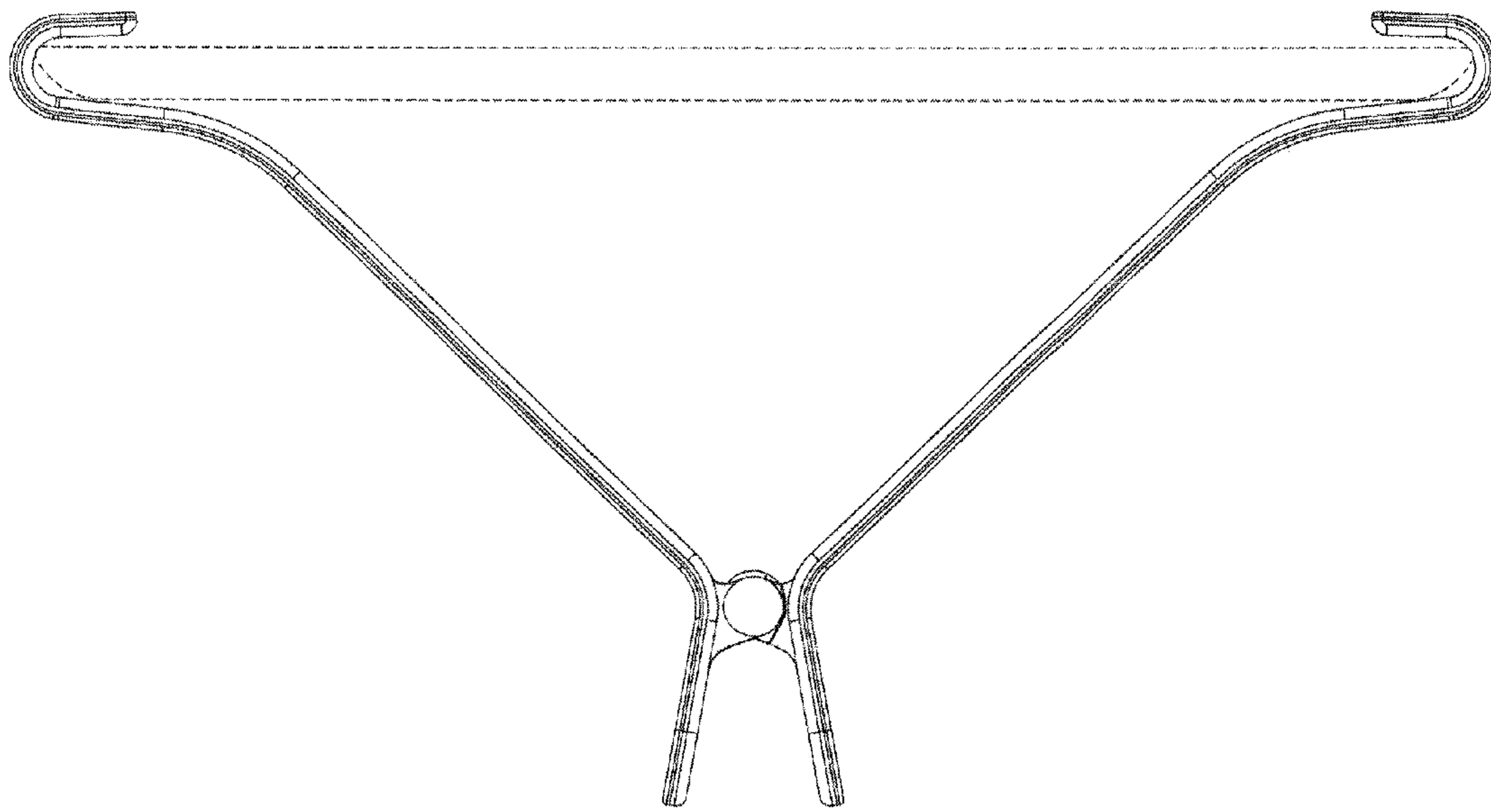


FIG. 7

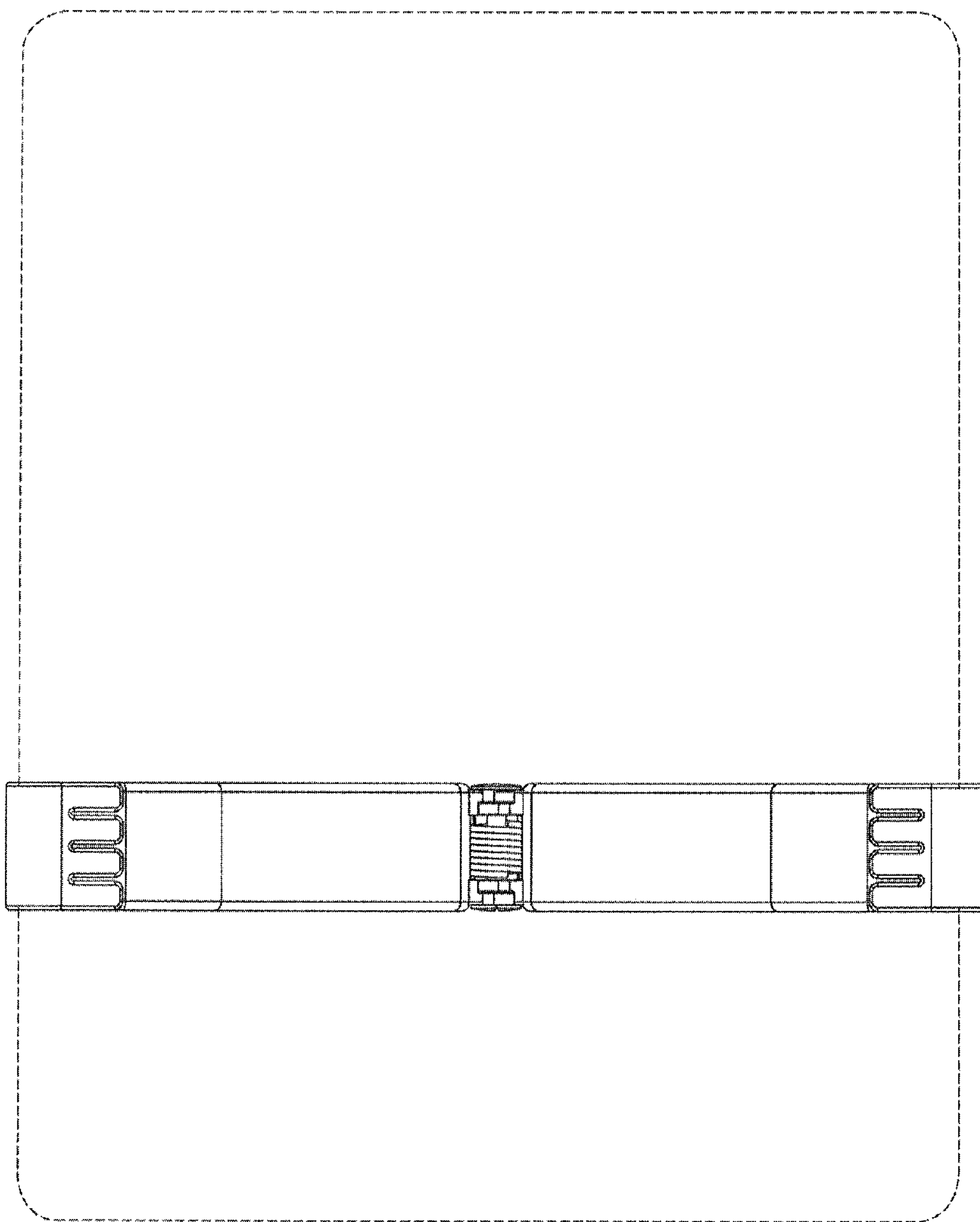


FIG. 8

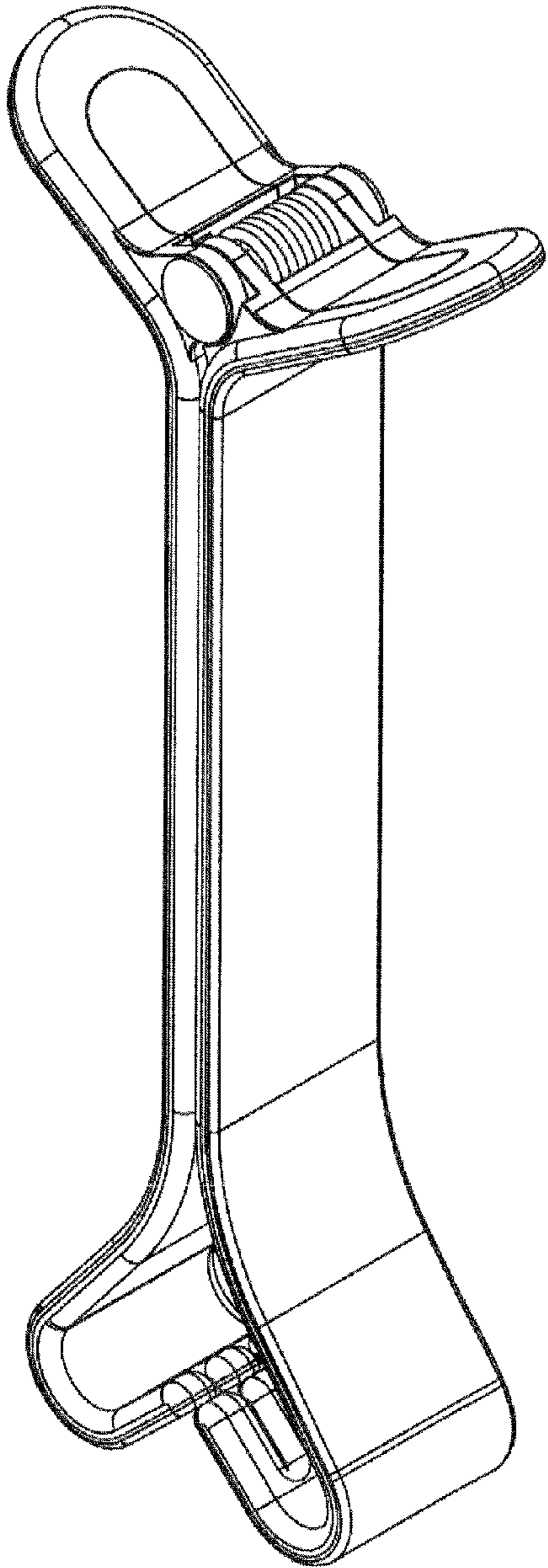


FIG. 9

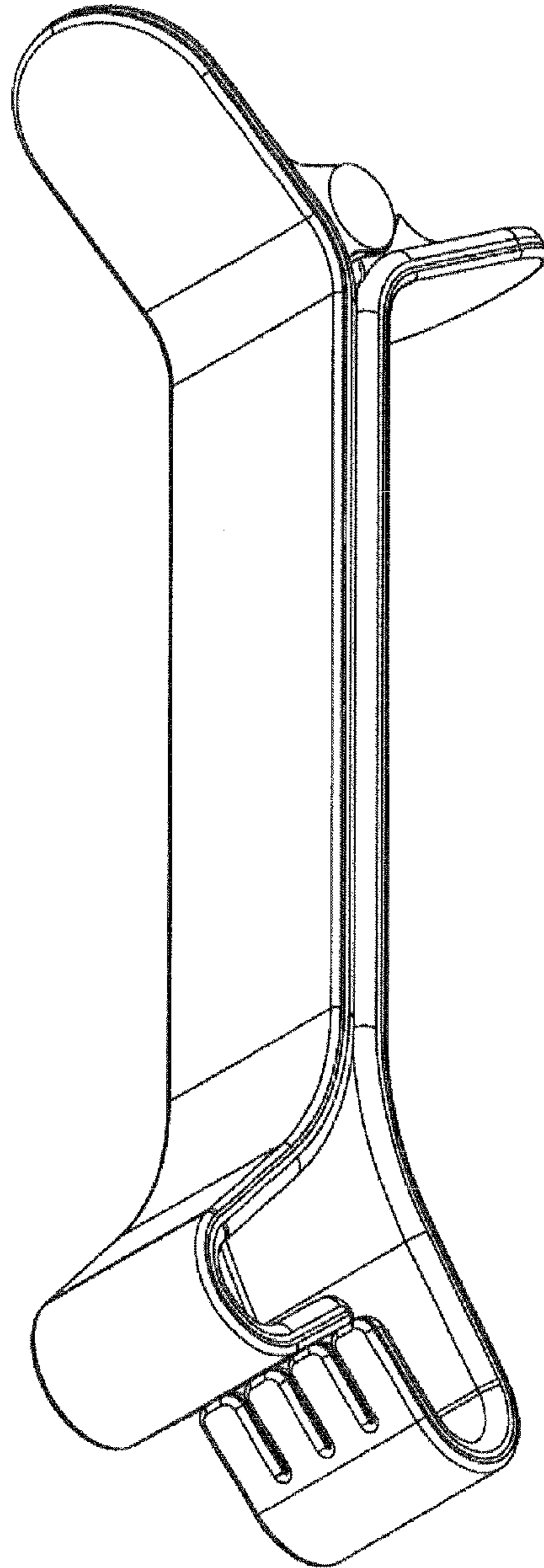


FIG. 10

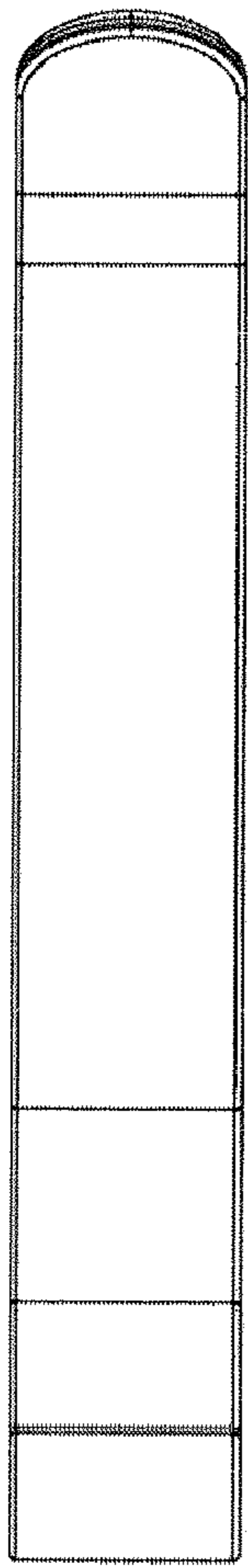


FIG. 11

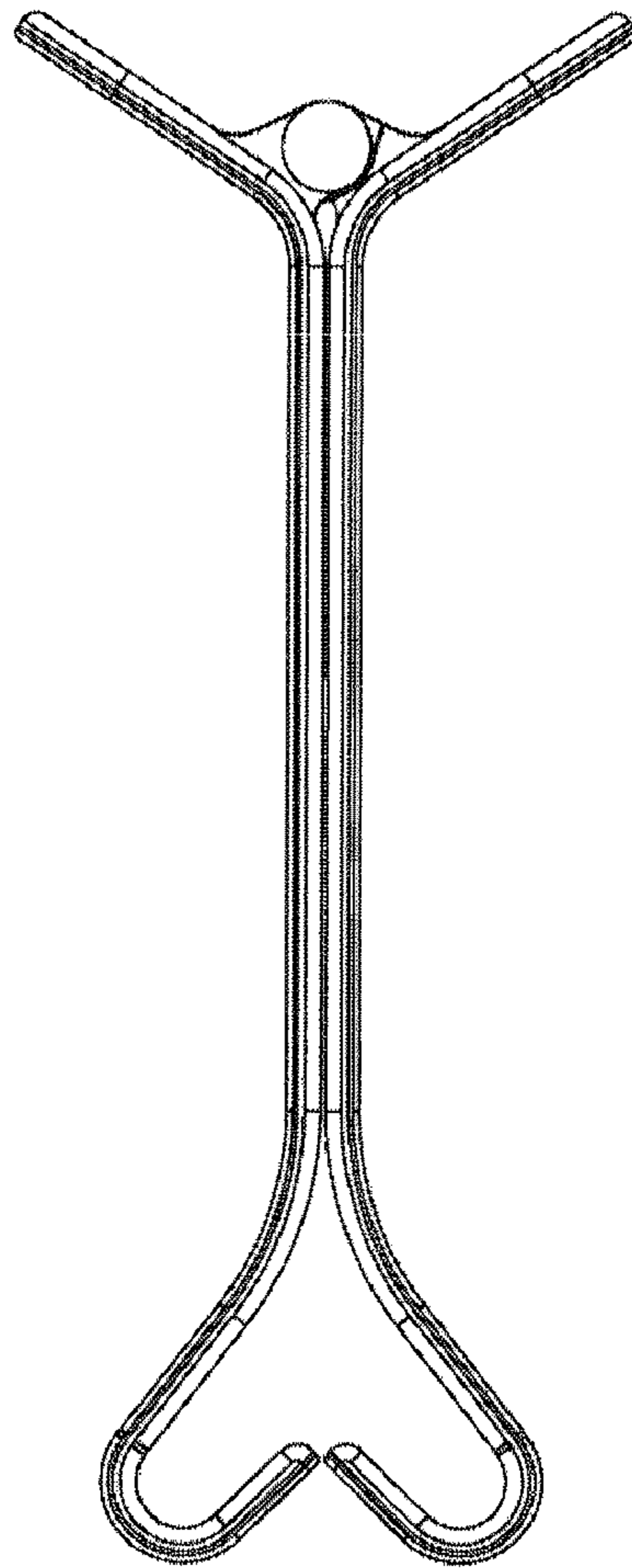


FIG. 12

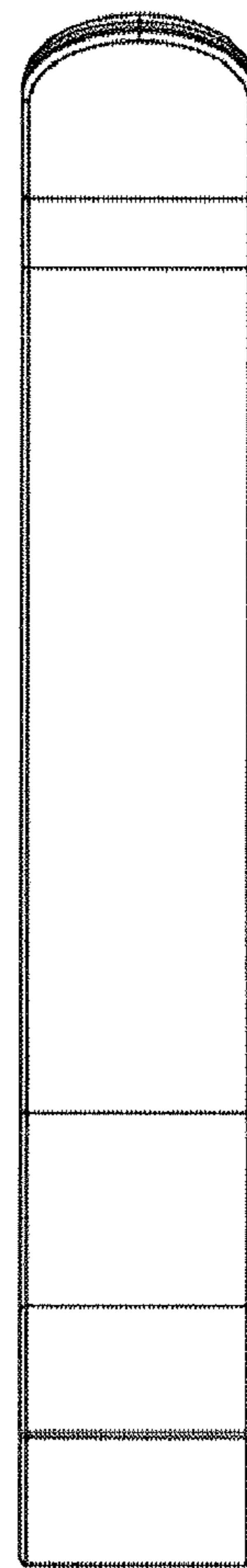


FIG. 13

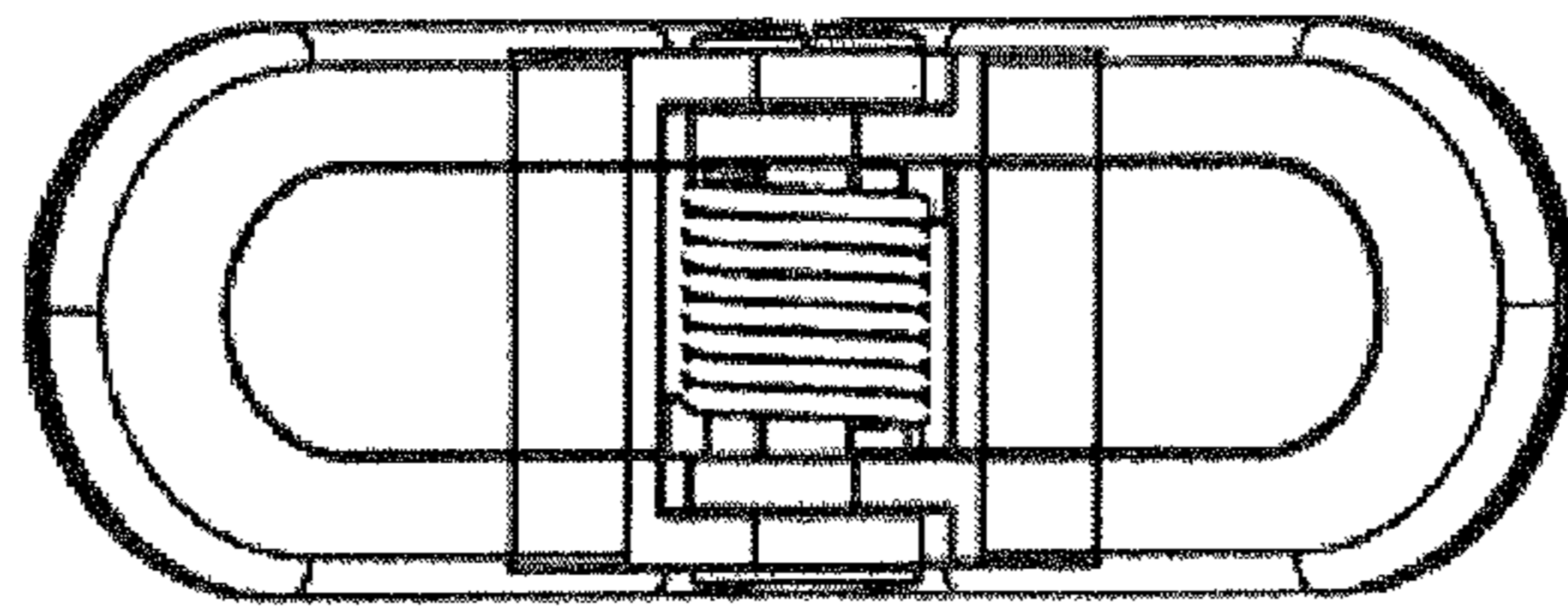


FIG. 14

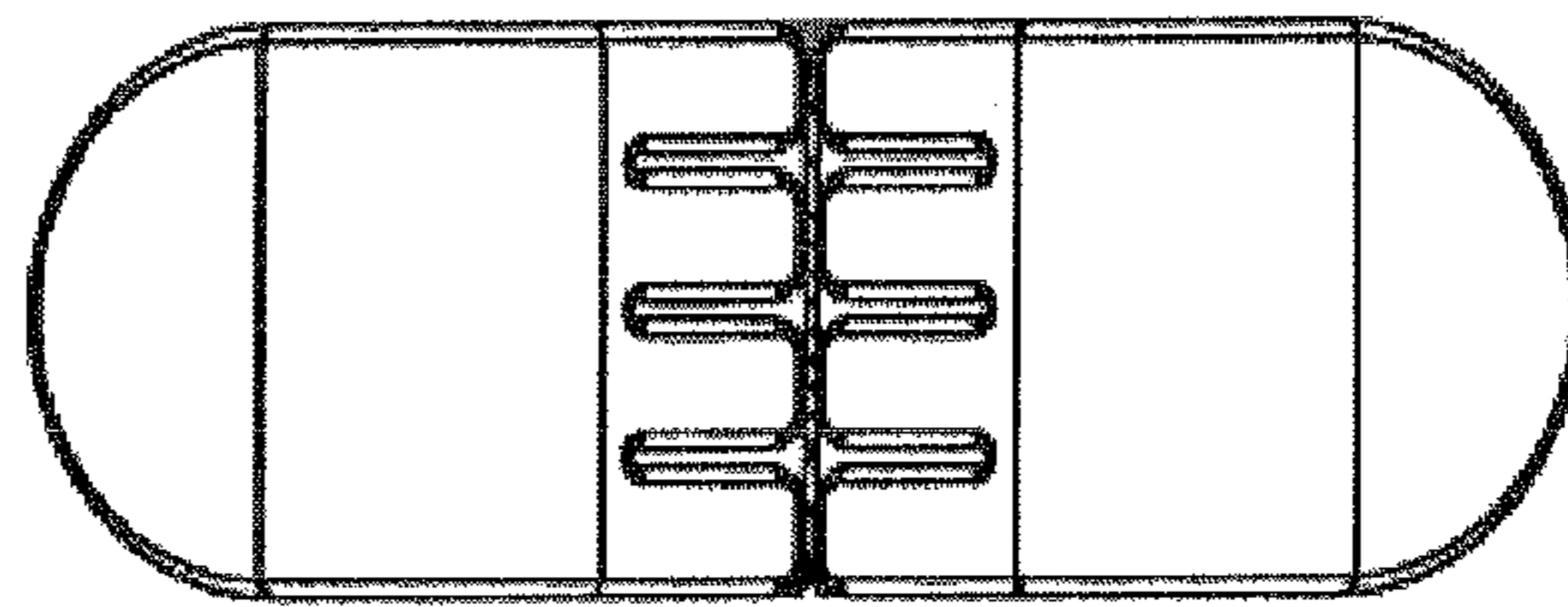


FIG. 15