



US00D673030S

(12) **United States Design Patent**
Phillips et al.

(10) **Patent No.:** **US D673,030 S**

(45) **Date of Patent:** **** Dec. 25, 2012**

(54) **WALL MOUNTABLE HOSE REEL WITH LEVELWIND**

(75) Inventors: **William J. Phillips**, Batavia, IL (US);
Michael R. Vogler, Oswego, IL (US);
Torrence Anderson, Overland Park, KS (US)

(73) Assignee: **Suncast Technologies, LLC**, Palm Beach Gardens, FL (US)

(**) Term: **14 Years**

(21) Appl. No.: **29/400,824**

(22) Filed: **Sep. 1, 2011**

(51) **LOC (9) Cl.** **08-05**

(52) **U.S. Cl.** **D8/359**

(58) **Field of Classification Search** D8/356,
D8/359; 137/355.27; 248/75

See application file for complete search history.

(56) **References Cited**

U.S. PATENT DOCUMENTS

5,657,789	A *	8/1997	Tisbo et al.	137/355.27
6,478,265	B2 *	11/2002	Leach	248/75
D623,503	S *	9/2010	Hatcher et al.	D8/358
D636,253	S *	4/2011	Hatcher et al.	D8/356

* cited by examiner

Primary Examiner — Susan Bennett Hattan

Assistant Examiner — Barbara B Lohr

(74) *Attorney, Agent, or Firm* — McHale & Slavin, P.A.

(57) **CLAIM**

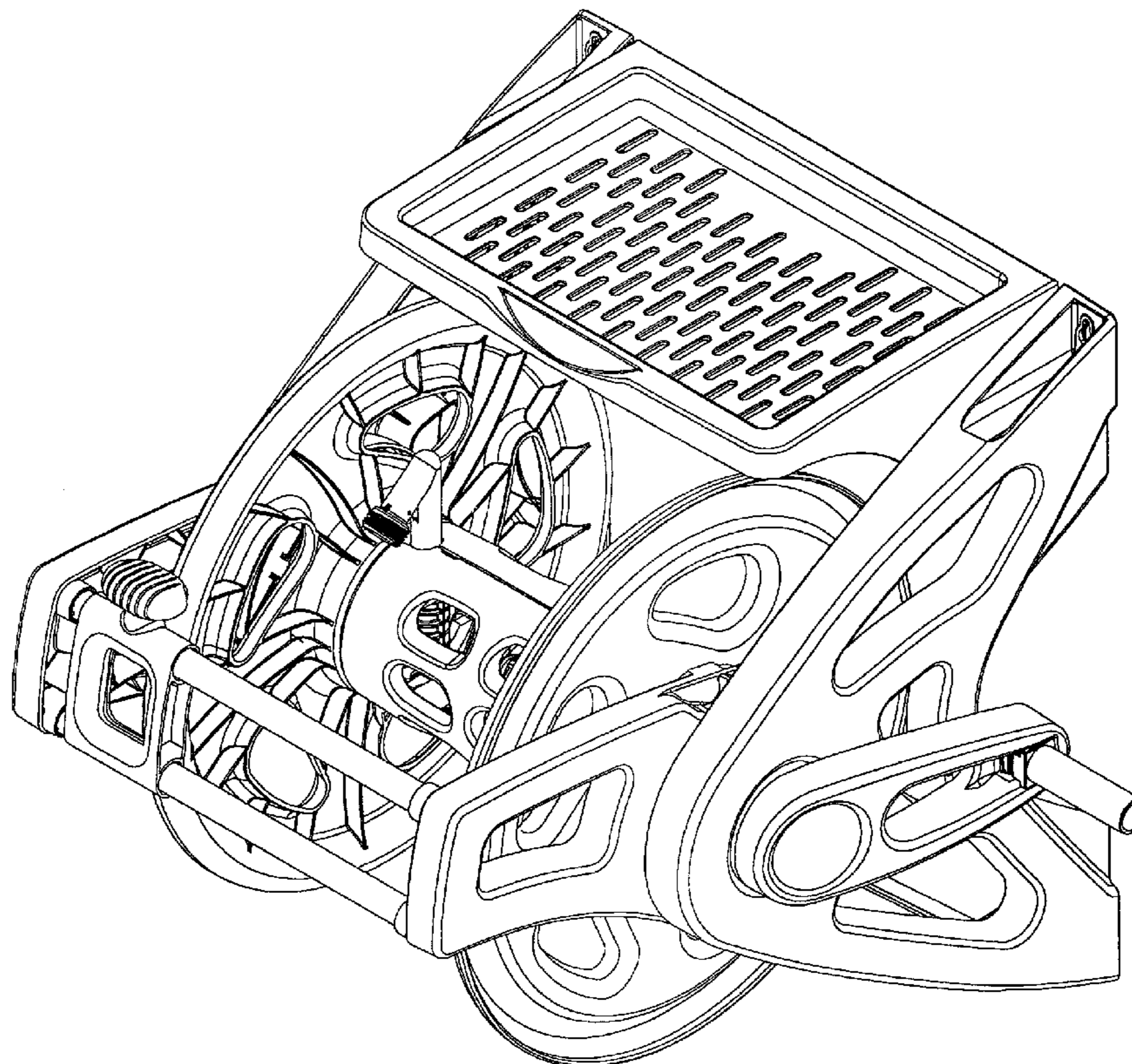
The ornamental design for a wall mountable hose reel with levelwind, as shown and described.

DESCRIPTION

FIG. 1 is a top right perspective view of the wall mountable hose reel with levelwind of the instant invention;
FIG. 2 is a top left perspective view thereof;
FIG. 3 is a bottom left perspective view thereof;
FIG. 4 is a bottom right perspective view thereof;
FIG. 5 is a front view thereof;
FIG. 6 is a right side view thereof;
FIG. 7 is a left side view thereof;
FIG. 8 is a bottom view thereof; and,
FIG. 9 is a top view thereof.

The portions of the figures shown in broken lines illustrate unclaimed portions of the wall mountable hose reel with levelwind and form no part of the claimed design.

1 Claim, 9 Drawing Sheets



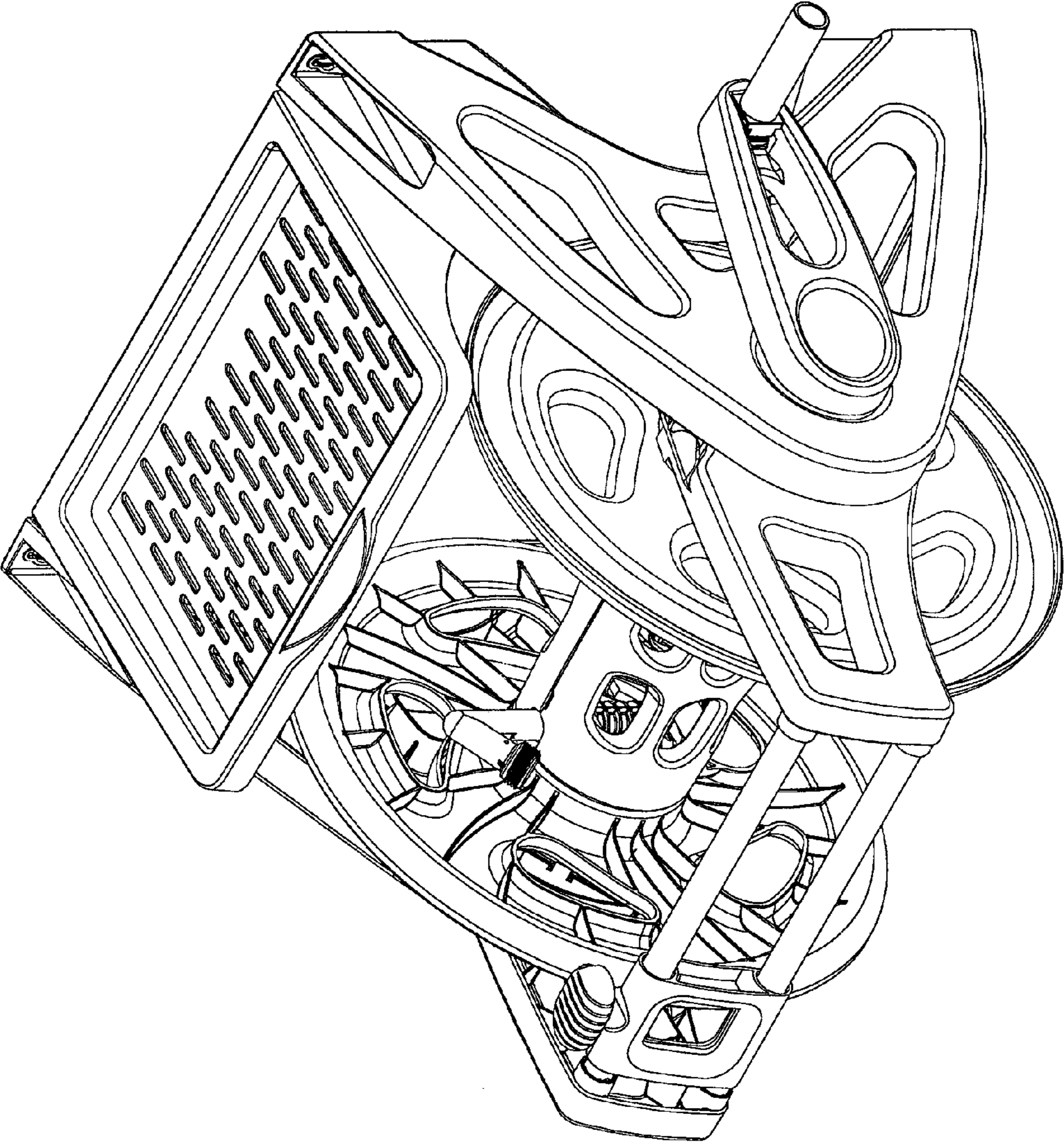


Fig. 1

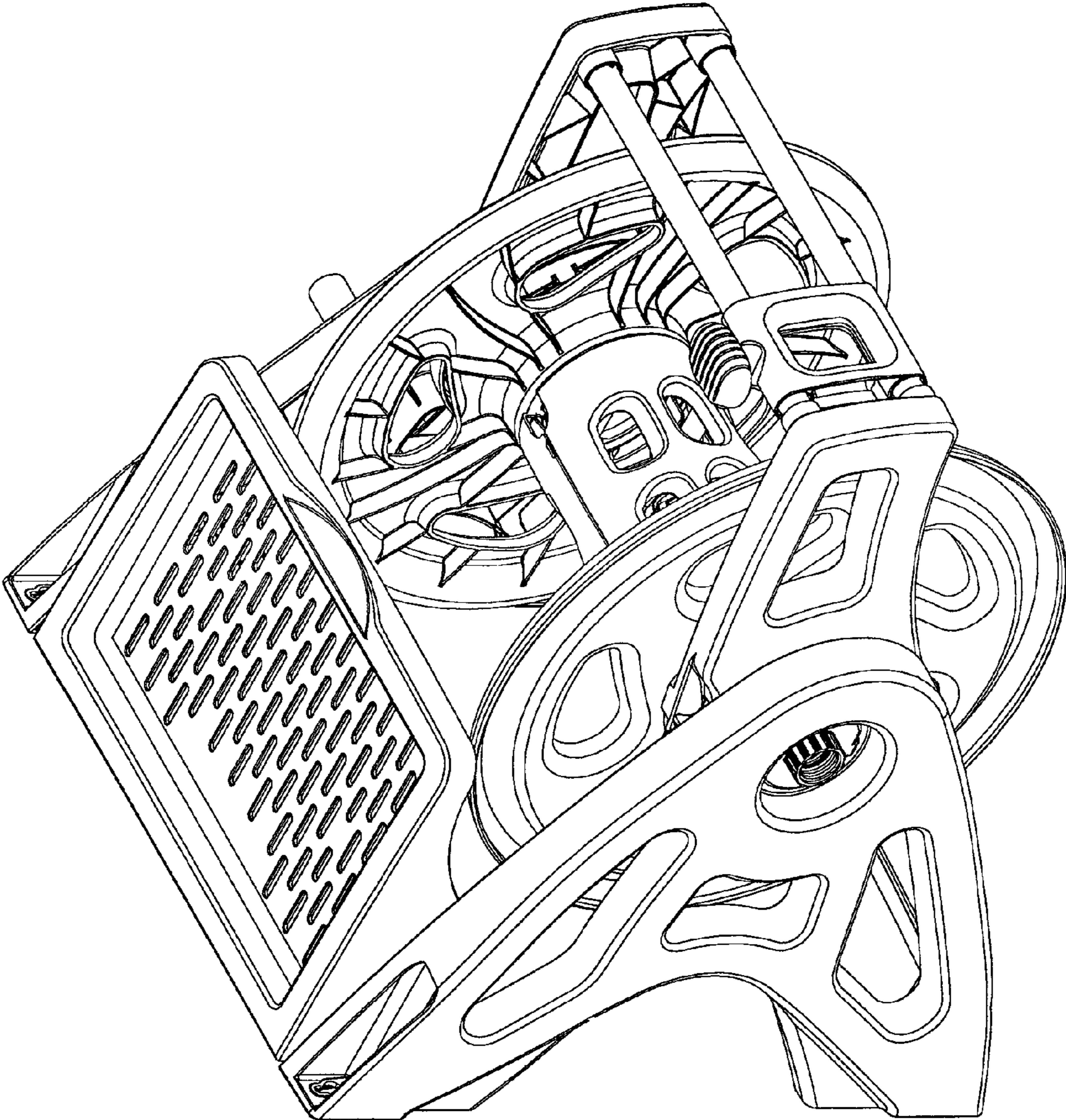


Fig. 2

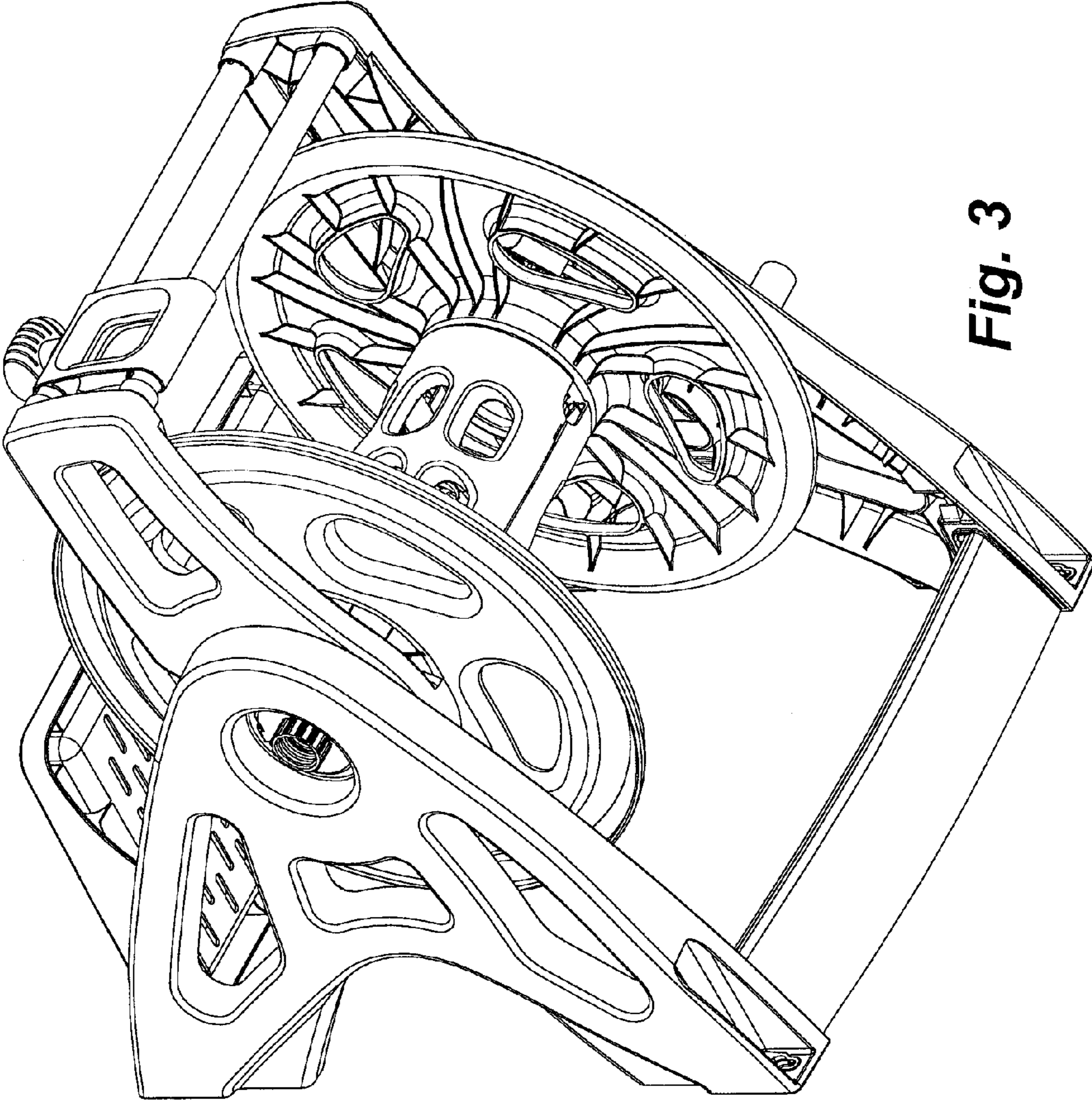


Fig. 3

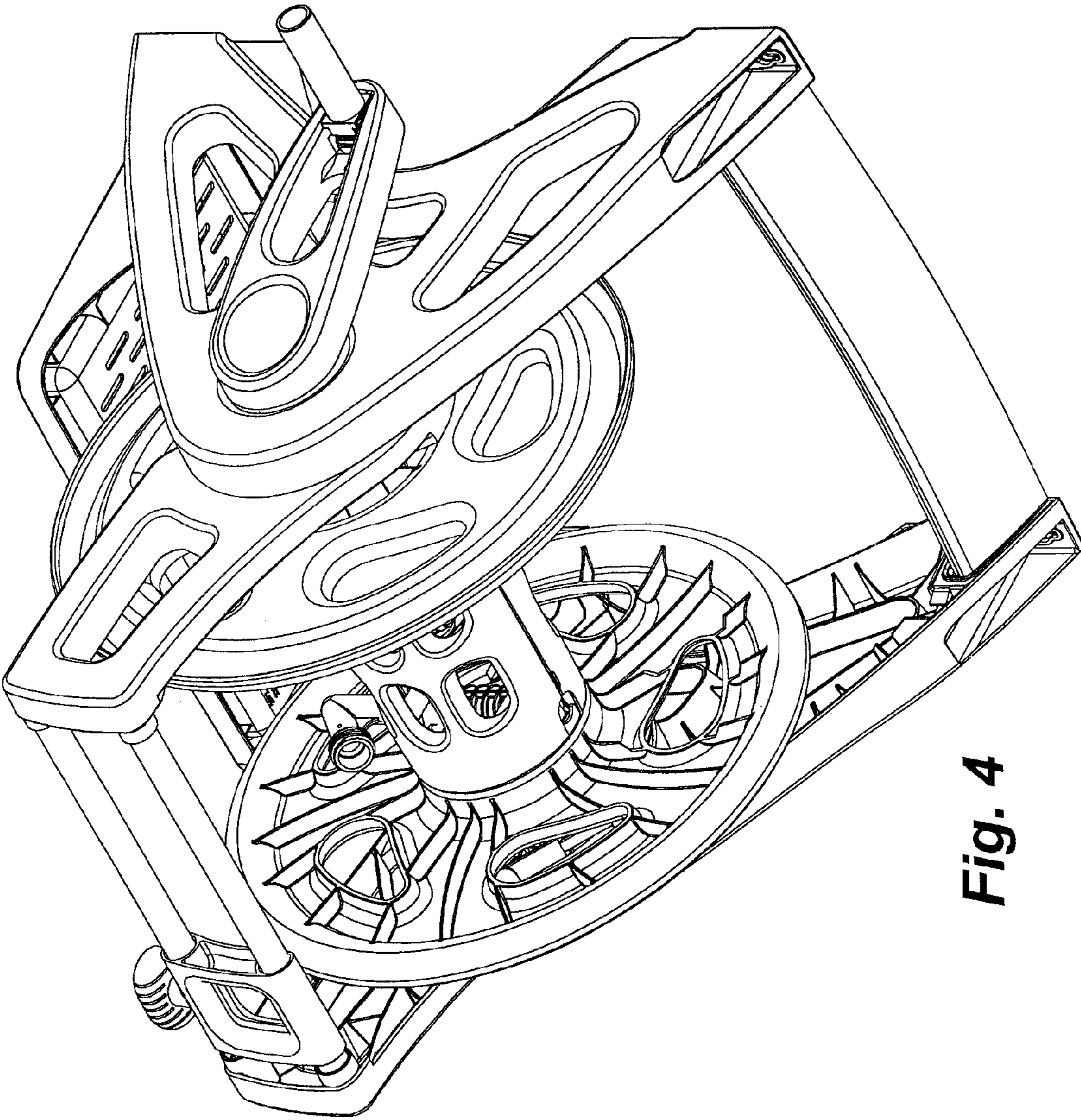


Fig. 4

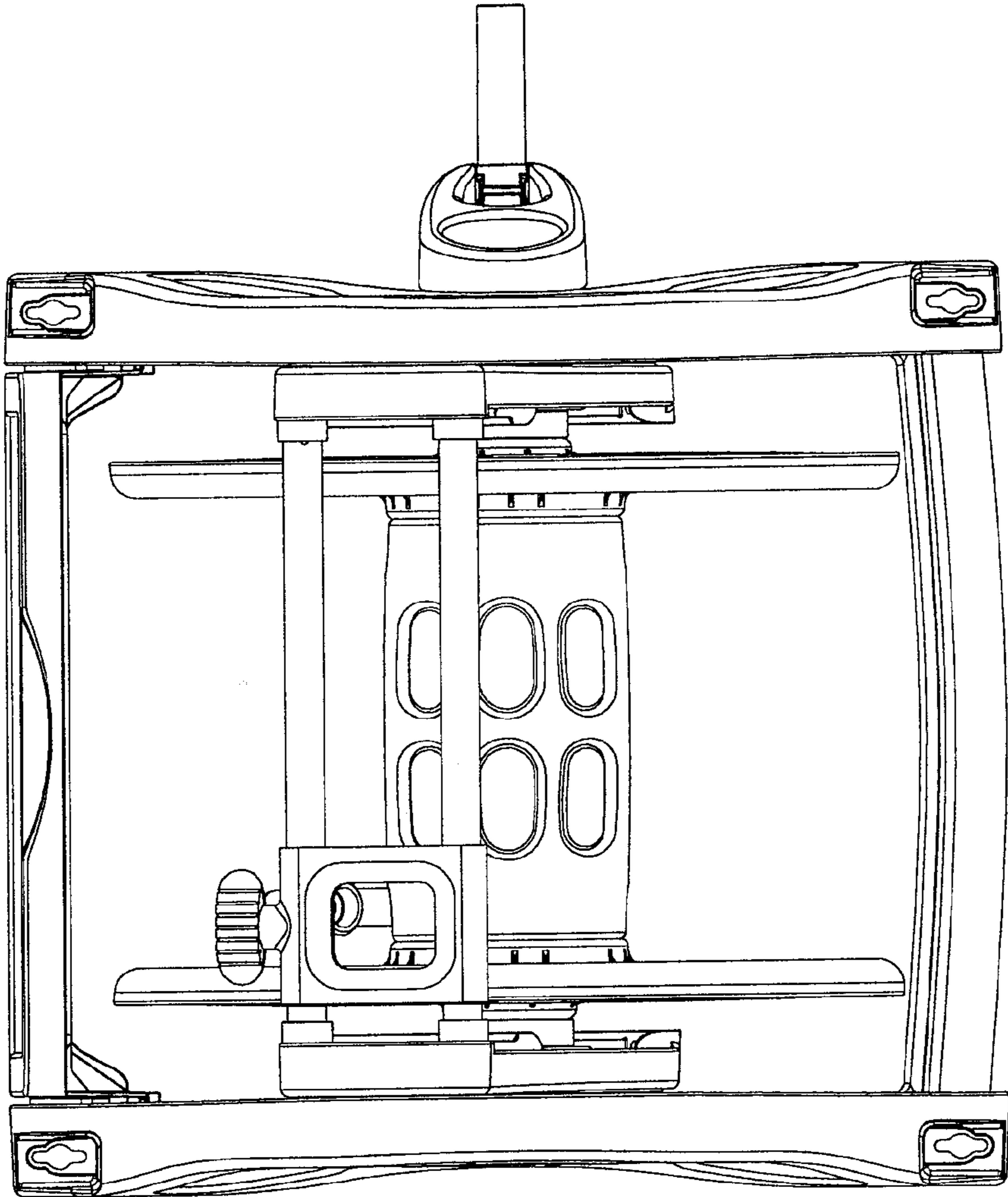


Fig. 5

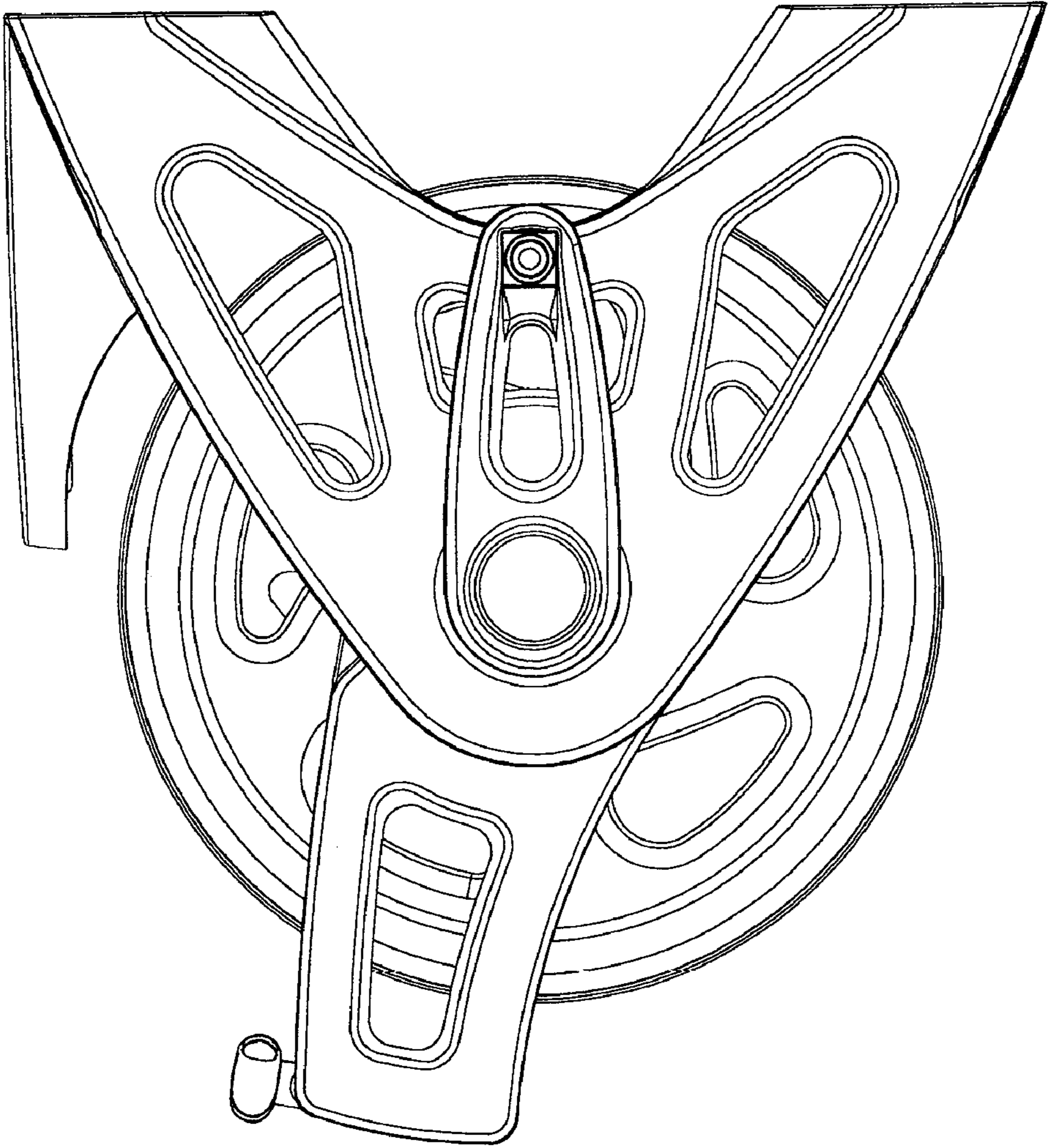


Fig. 6

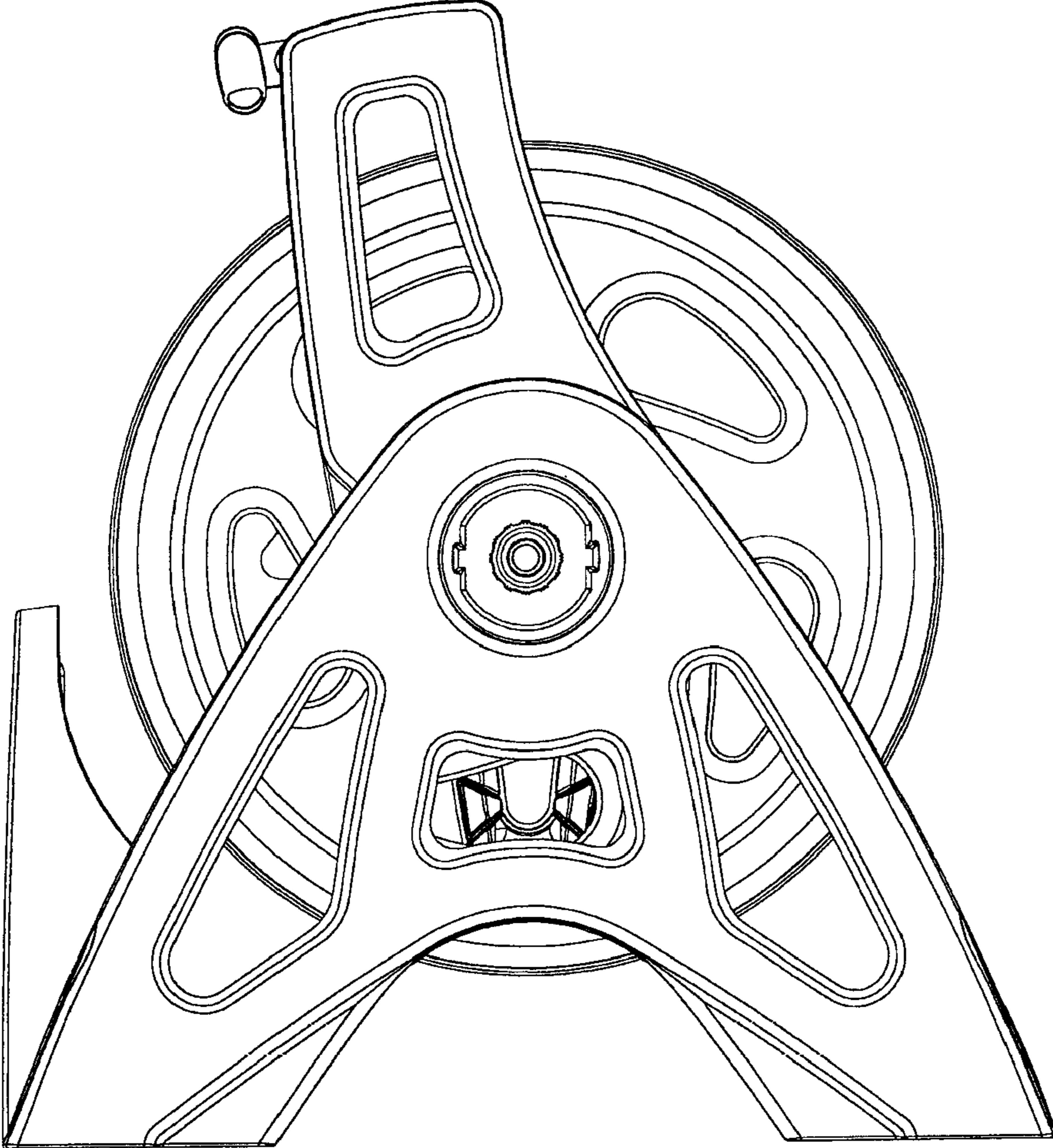


Fig. 7

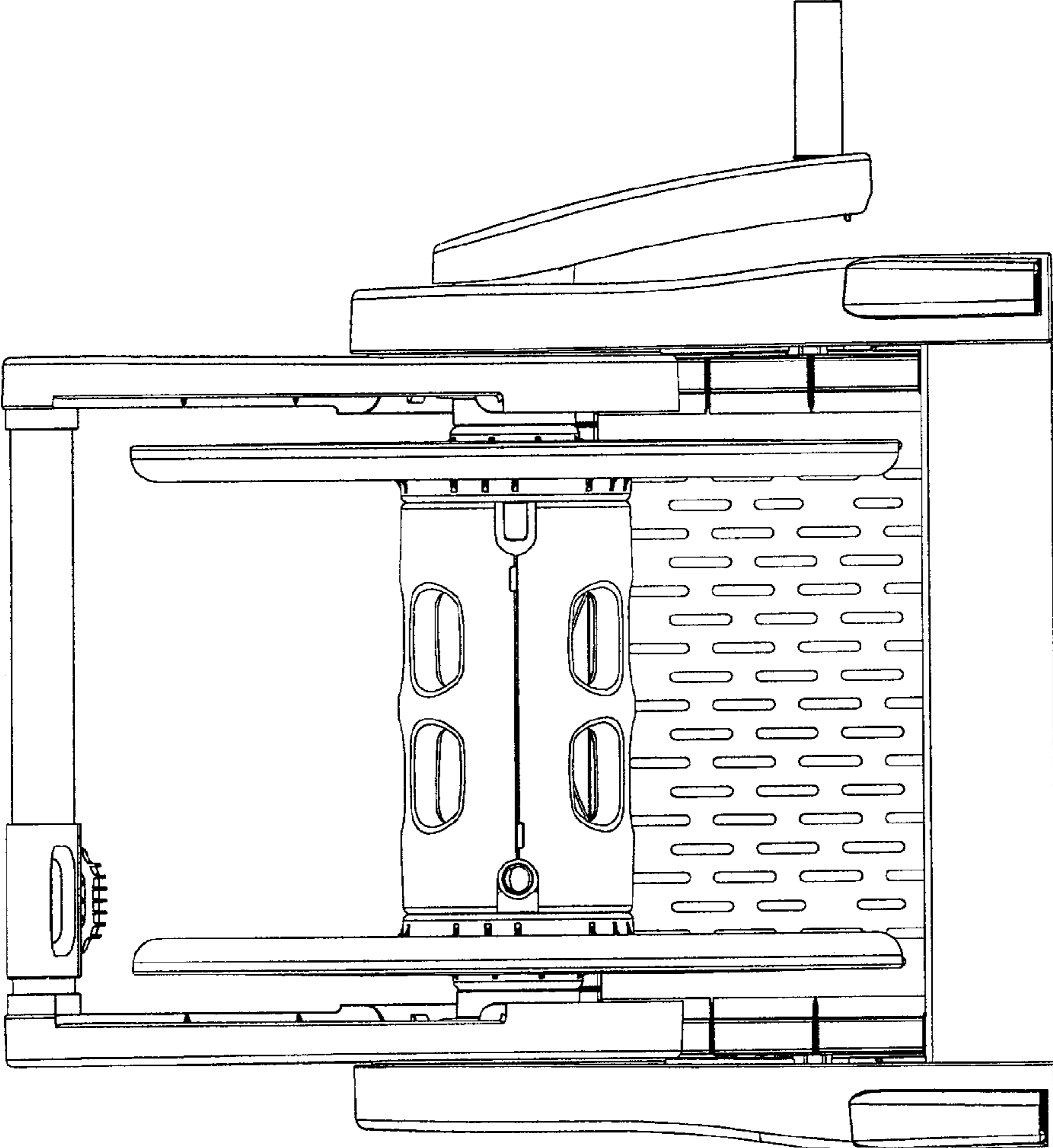


Fig. 8

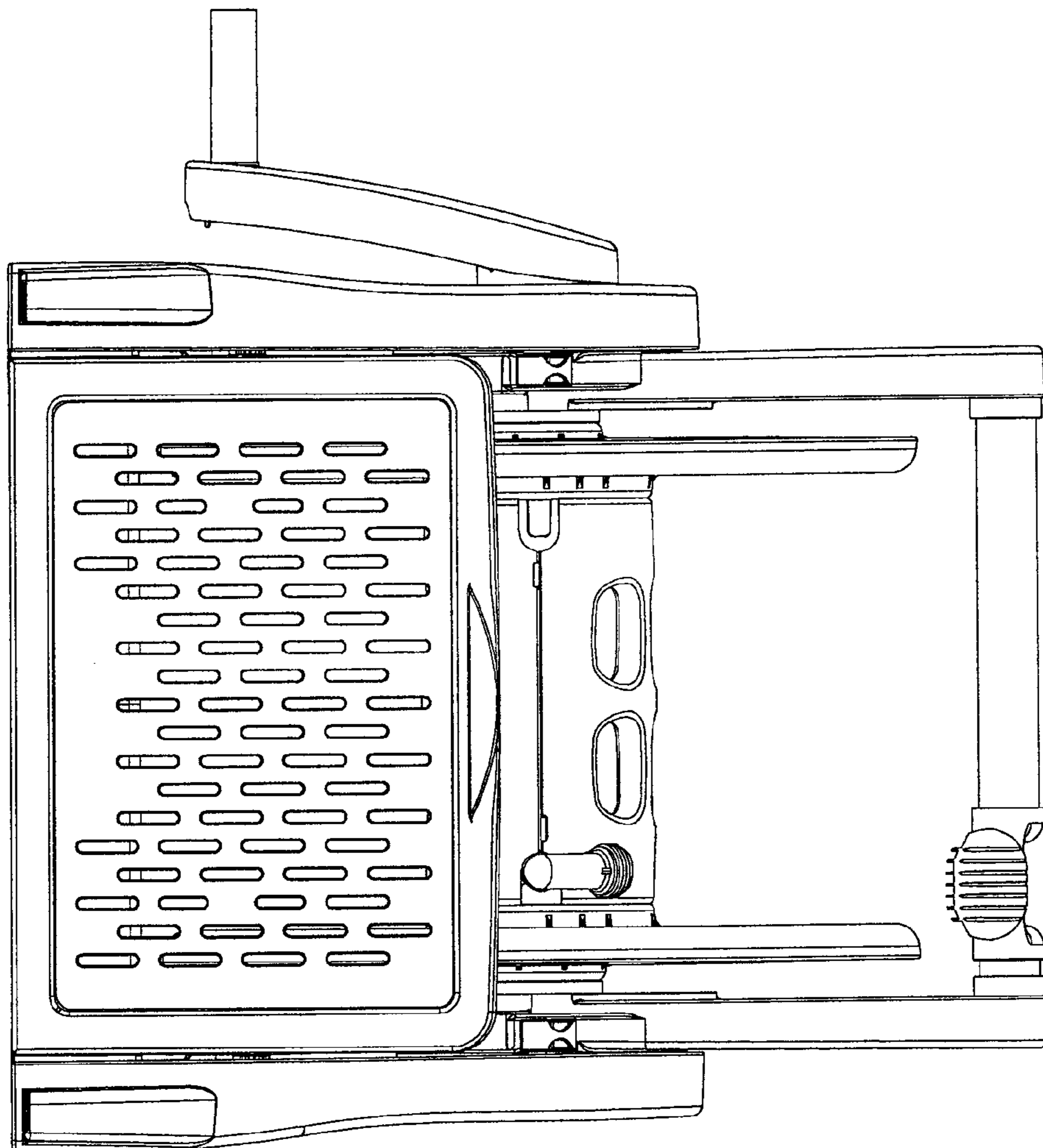


Fig. 9