



US00D673027S

(12) **United States Design Patent**  
**Wang**

(10) **Patent No.:** **US D673,027 S**  
(45) **Date of Patent:** **\*\* Dec. 25, 2012**

(54) **DEVICE FOR SUPPORTING AN OBJECT**

(75) Inventor: **Weiyi Wang**, Hangzhou (CN)

(73) Assignee: **Hangzhou Great Star Industrial Co., Ltd.**, Hangzhou (CN)

(\*\*) Term: **14 Years**

(21) Appl. No.: **29/377,061**

(22) Filed: **Oct. 15, 2010**

(51) **LOC (9) Cl.** ..... **08-05**

(52) **U.S. Cl.** ..... **D8/354**

(58) **Field of Classification Search** ..... D8/349,  
D8/354, 380, 382, 388, 400, 402, 499; D21/505,  
D21/803, 373, 388, 396; D11/131, 131.1,  
D11/157; D25/15, 26; D6/407, 474; 211/41.16;  
229/113, 114, 116; 273/153 P, 153 S, 157 R;  
446/70, 121, 122, 125; 248/346.01, 546,  
248/694, 126, 176.1; 434/211, 403

See application file for complete search history.

(56) **References Cited**

**U.S. PATENT DOCUMENTS**

2,483,734	A *	10/1949	Neal	116/63 R
2,800,099	A *	7/1957	Baker	116/63 R
2,843,971	A *	7/1958	Gardellin	446/126
D206,635	S *	1/1967	Walter	D10/113.2
3,608,906	A *	9/1971	Odier	273/157 R
3,659,360	A *	5/1972	Zeischegg	434/403
3,782,029	A *	1/1974	Bardot	446/121
3,800,735	A *	4/1974	Simpson	116/63 P
D231,787	S *	6/1974	Burnley	D30/107
3,840,234	A *	10/1974	Felsten	273/113
D245,279	S *	8/1977	Hollendonner	D21/388
D250,687	S *	1/1979	Robelen	D6/503
D261,373	S *	10/1981	Fisher	D11/131
D263,255	S *	3/1982	Zima	D25/26
4,345,761	A *	8/1982	China	273/146
D273,095	S *	3/1984	Schulze	D10/109.1
4,461,480	A *	7/1984	Mitchell	273/153 S

4,761,137	A *	8/1988	Taylor et al.	434/99
4,848,263	A *	7/1989	Grimm	116/63 C
D305,343	S *	1/1990	Epperson et al.	D21/336
D314,018	S *	1/1991	Rosenthal	D21/373
D315,186	S *	3/1991	Peterson	D21/803
D325,168	S *	4/1992	Dlabac	D9/431
D325,615	S *	4/1992	Matsch	D21/826
5,375,845	A *	12/1994	Cooter et al.	273/292
D403,981	S *	1/1999	Dillard	D11/131
D417,314	S *	11/1999	Smith, Jr.	D30/106
D443,900	S *	6/2001	Eklund	D21/369
6,247,424	B1 *	6/2001	Huang	116/63 C

(Continued)

*Primary Examiner* — Mark Goodwin

(74) *Attorney, Agent, or Firm* — Michael Best & Friedrich LLP

(57) **CLAIM**

I claim the ornamental design for a device for supporting an object, as shown and described.

**DESCRIPTION**

FIG. 1 is a first perspective view of a device for supporting an object showing my new design.

FIG. 2 is a second perspective view of the device for supporting an object shown in FIG. 1.

FIG. 3 is a top view of the device for supporting an object shown in FIG. 1.

FIG. 4 is a bottom view of the device for supporting an object shown in FIG. 1.

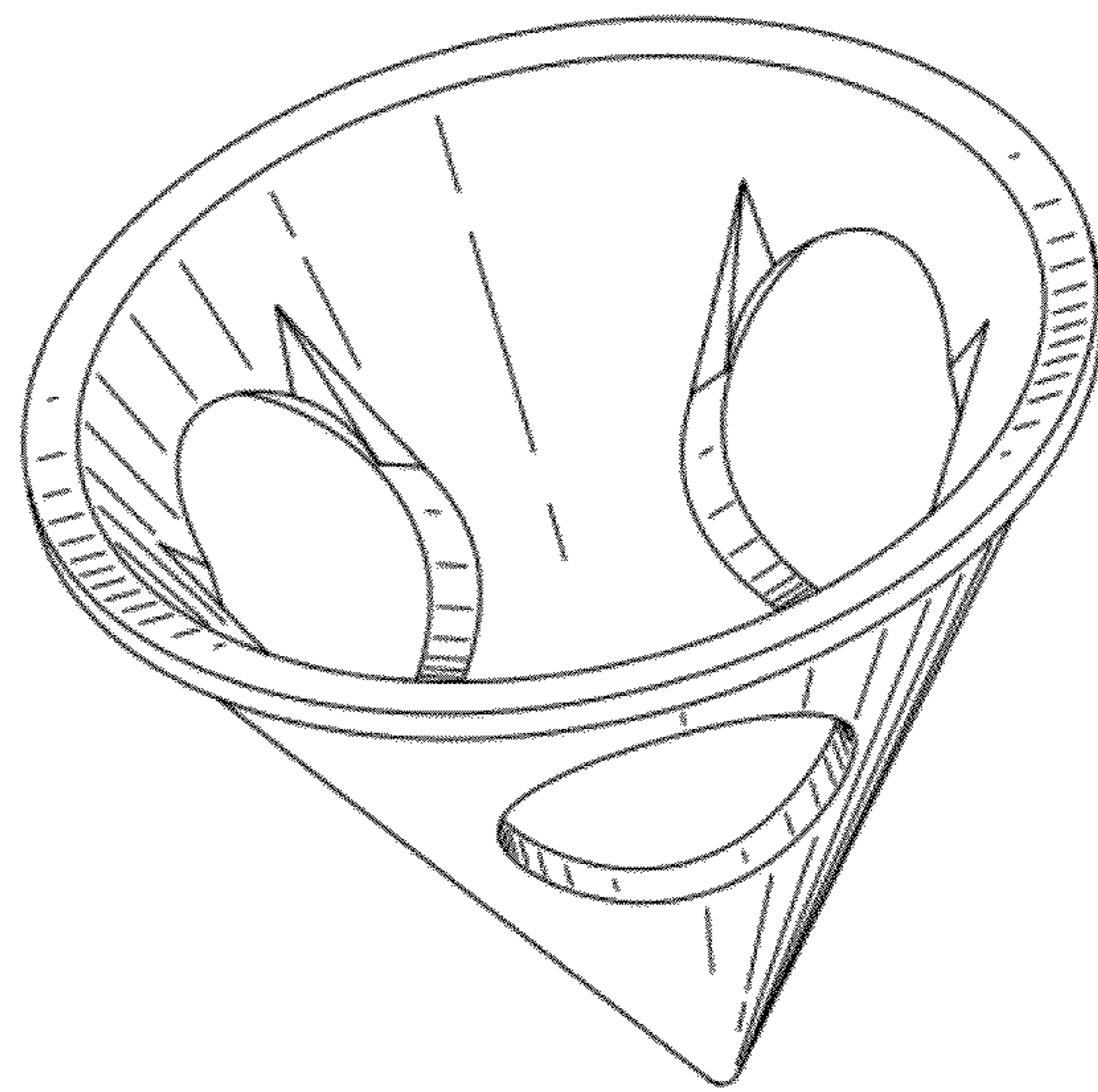
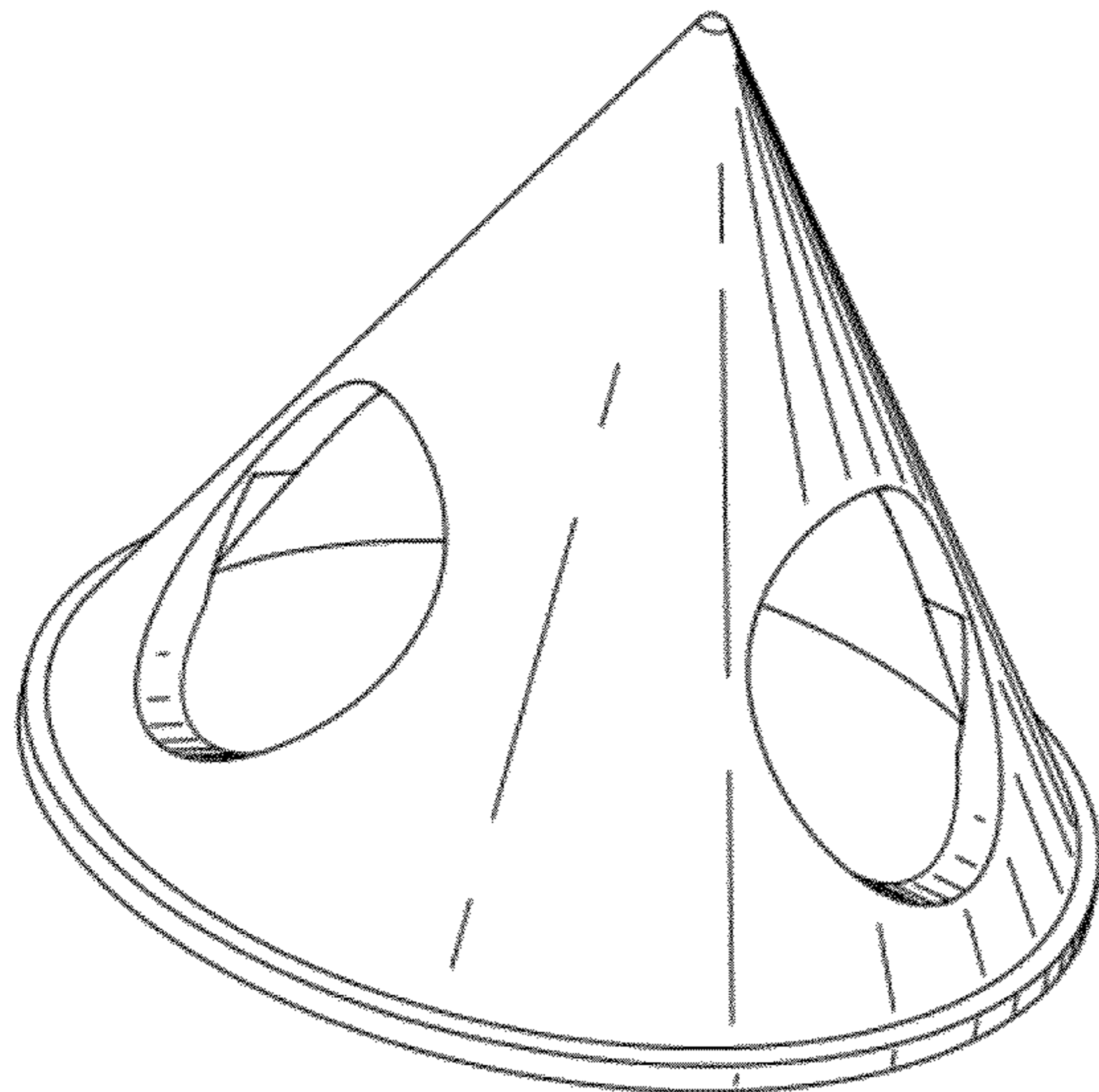
FIG. 5 is a front view of the device for supporting an object shown in FIG. 1.

FIG. 6 is a rear view of the device for supporting an object shown in FIG. 1.

FIG. 7 is a right side view of the device for supporting an object shown in FIG. 1; and,

FIG. 8 is a left side view of the device for supporting an object shown in FIG. 1.

**1 Claim, 4 Drawing Sheets**



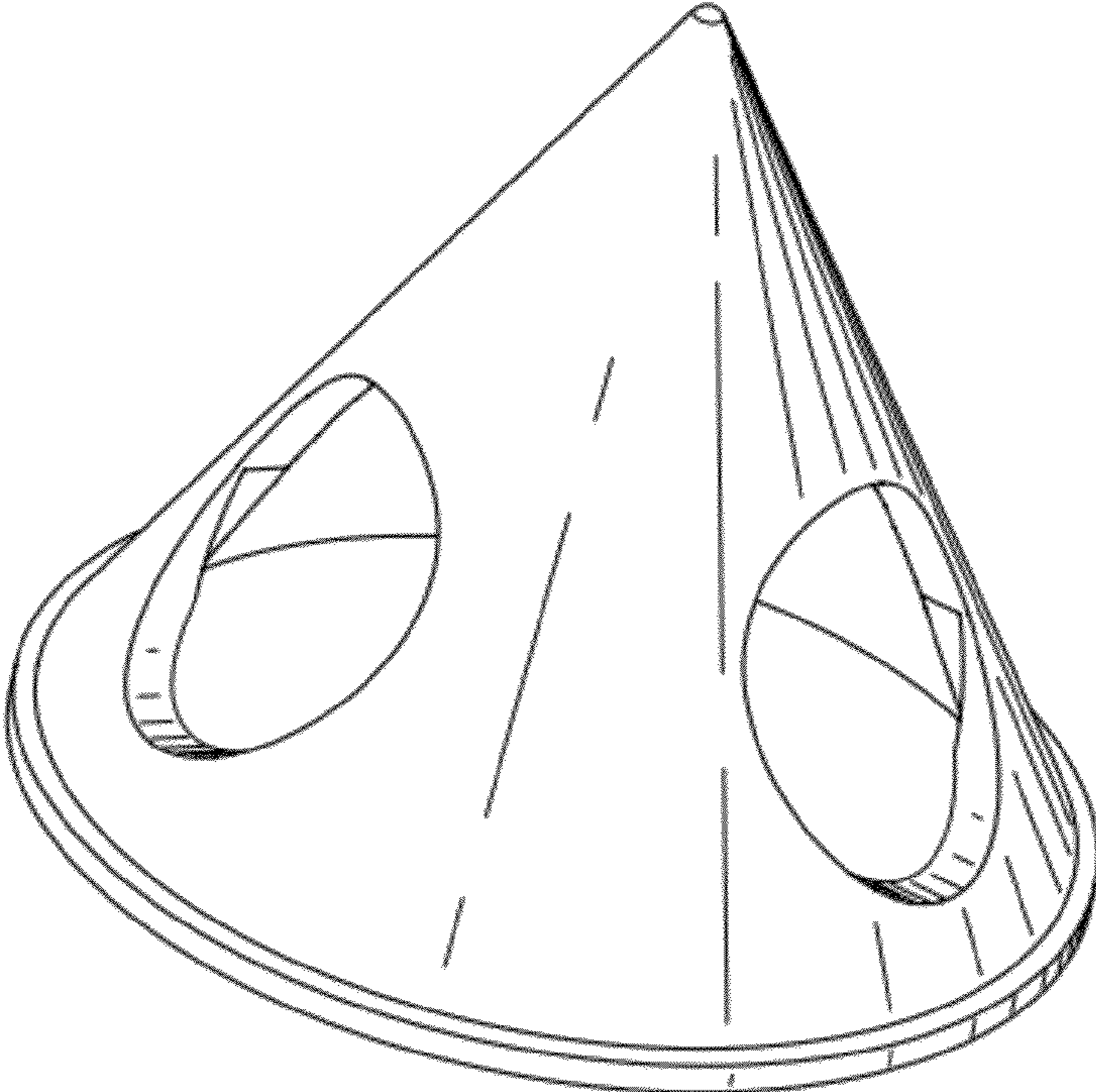
# US D673,027 S

Page 2

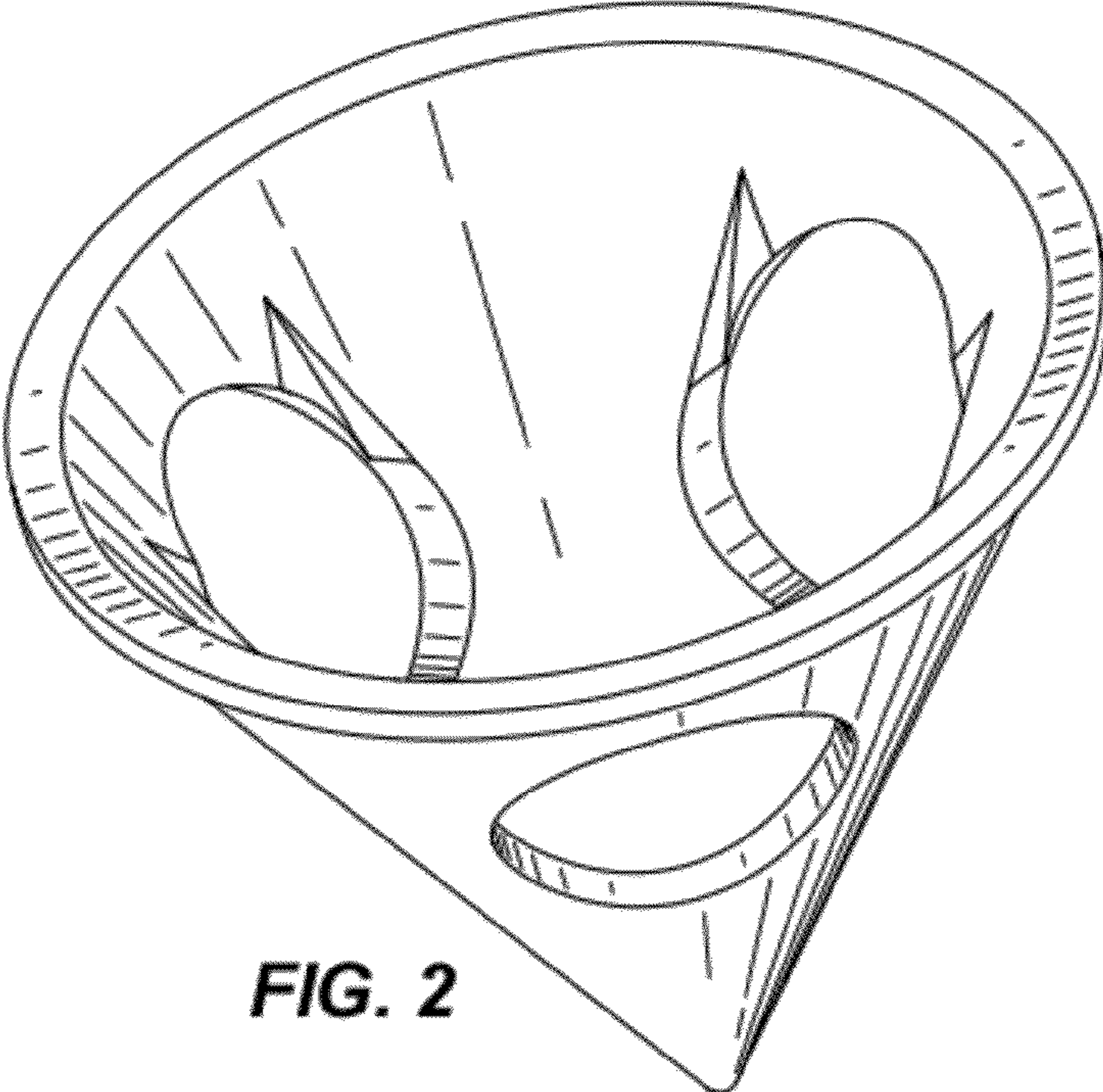
## U.S. PATENT DOCUMENTS

D445,721	S *	7/2001	McLeish et al.	.....	D11/131.1				
D478,194	S *	8/2003	McGinty	.....	D30/160				
D483,200	S *	12/2003	Udommahuntisuk	.....	D6/407				
D493,198	S *	7/2004	Starkel	.....	D21/389				
6,976,768	B2 *	12/2005	Hewson	.....	362/247				
D514,463	S *	2/2006	Levine	.....	D10/113.2				
D514,971	S *	2/2006	Burch et al.	.....	D10/109.1				
D515,683	S *	2/2006	LaBlaine	.....	D23/366				
7,047,681	B2 *	5/2006	Perelli et al.	.....	40/610				
D529,377	S *	10/2006	Heiss	.....	D9/431				
D551,116	S *	9/2007	Devory, Jr.	.....	D11/131				
D562,915	S *	2/2008	Davis	.....	D21/478				
D569,076	S *	5/2008	Lebrand	.....	D1/105				
D574,293	S *	8/2008	Devory, Jr.	.....	D11/131				
D574,440	S *	8/2008	Goodrich	.....	D21/396				
D578,379	S *	10/2008	Sorkin	.....	D8/354				
D579,369	S *	10/2008	Spataro	.....	D10/113.2				
D581,251	S *	11/2008	Bucci	.....	D8/354				
D581,254	S *	11/2008	Bucci	.....	D8/354				
D597,432	S *	8/2009	Auberger	.....	D10/113.2				
D602,341	S *	10/2009	Bucci	.....	D8/354				
D603,245	S *	11/2009	Bucci	.....	D8/354				
D609,077	S *	2/2010	Bucci	.....	D8/354				
D613,149	S *	4/2010	Bucci	.....	D8/354				
D613,582	S *	4/2010	Bucci	.....	D8/354				
D616,728	S *	6/2010	Bucci	.....	D8/354				
2004/0159280	A1 *	8/2004	Mohelsky et al.	.....	116/63 C				
2005/0014112	A1 *	1/2005	Fentress	.....	434/211				
2006/0157544	A1 *	7/2006	Chomic et al.	.....	229/4.5				

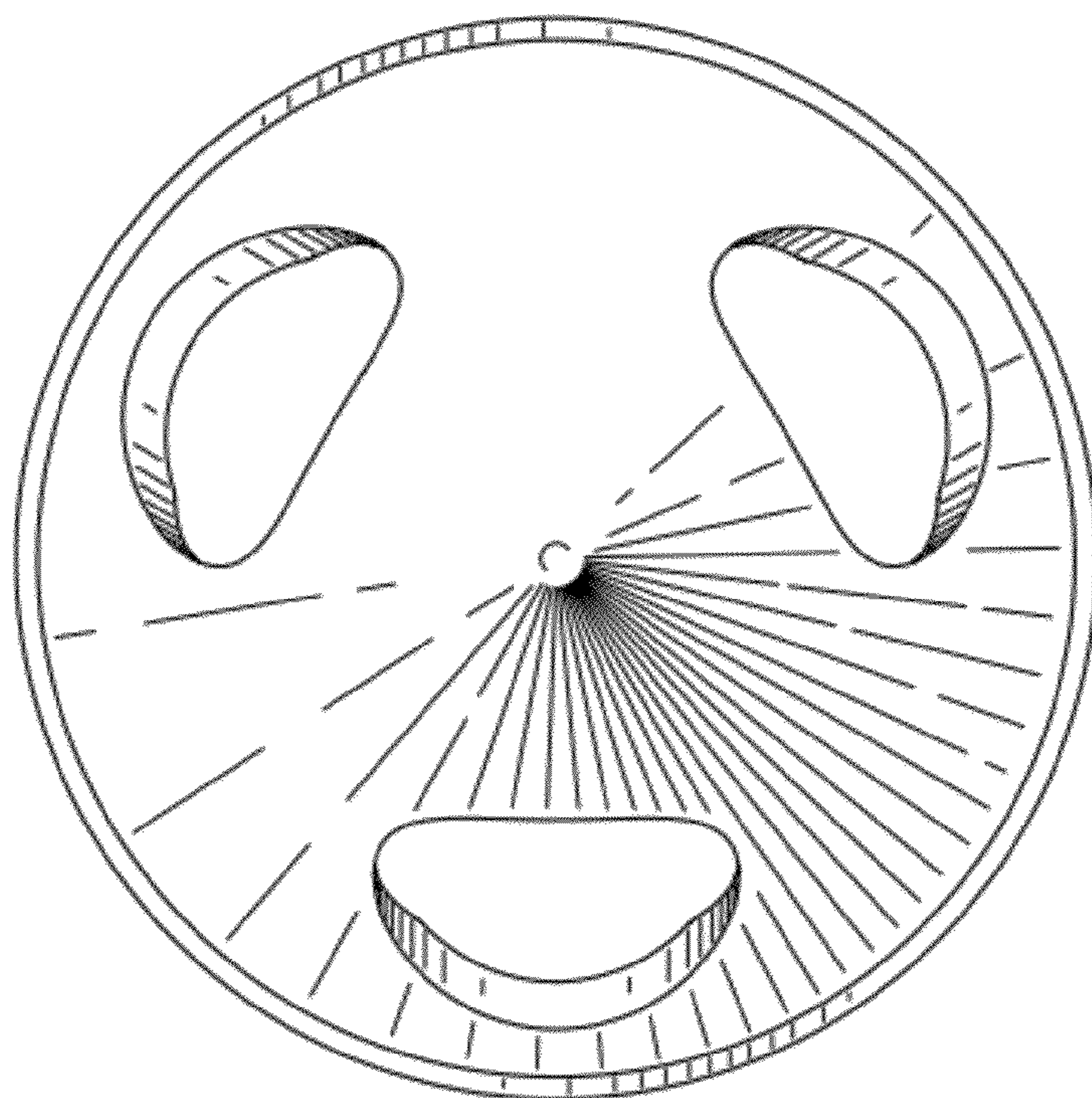
\* cited by examiner



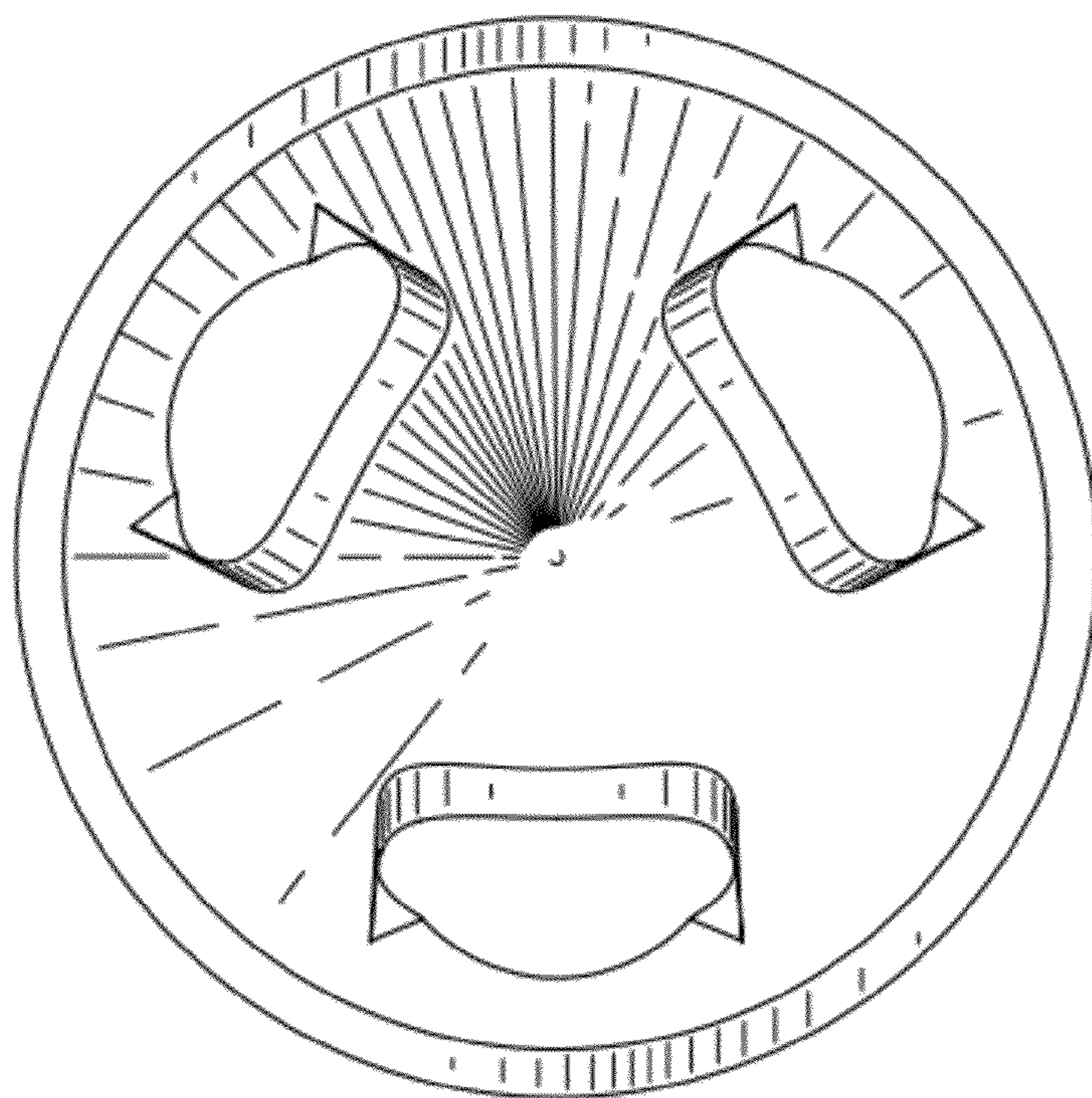
**FIG. 1**



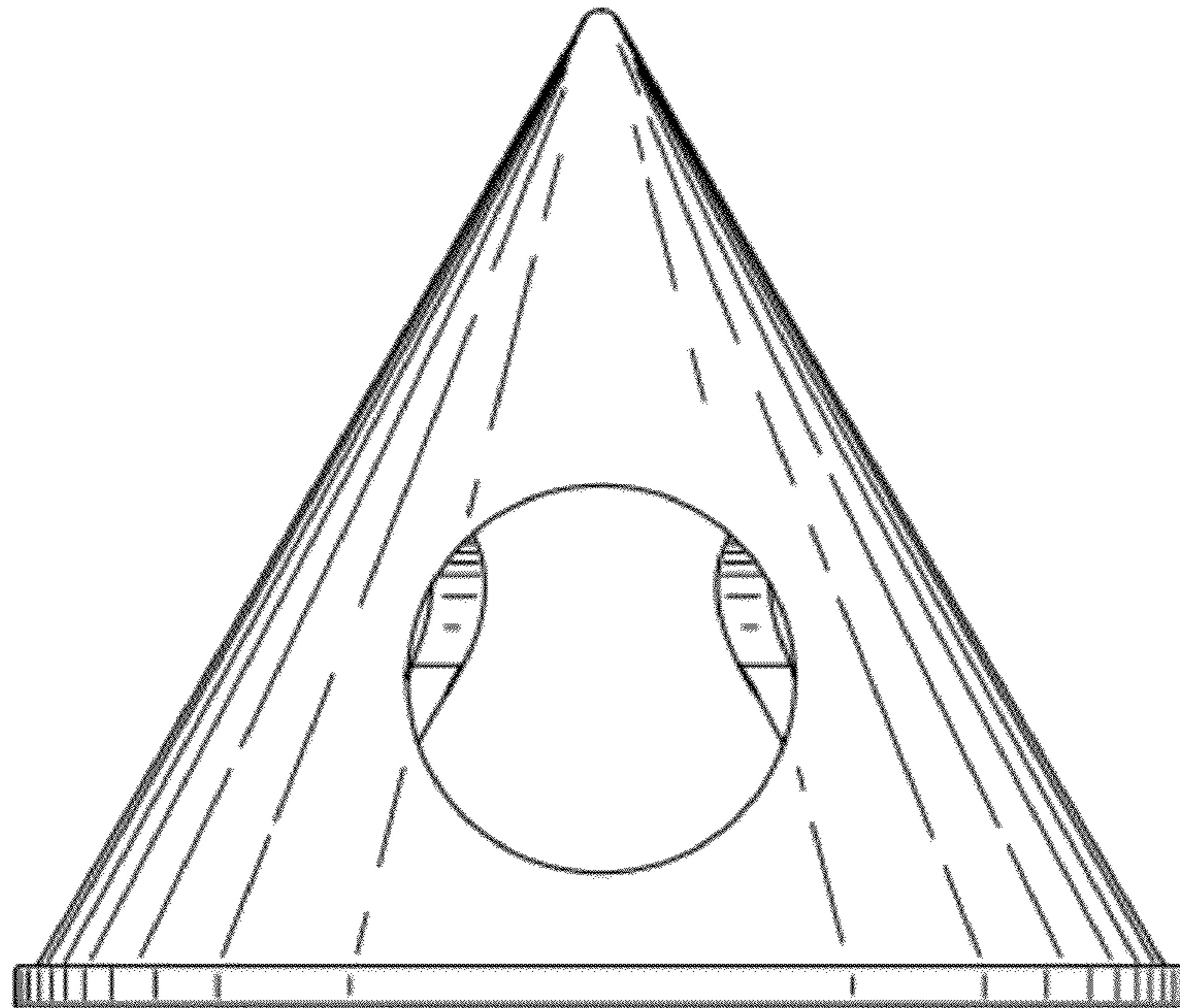
**FIG. 2**



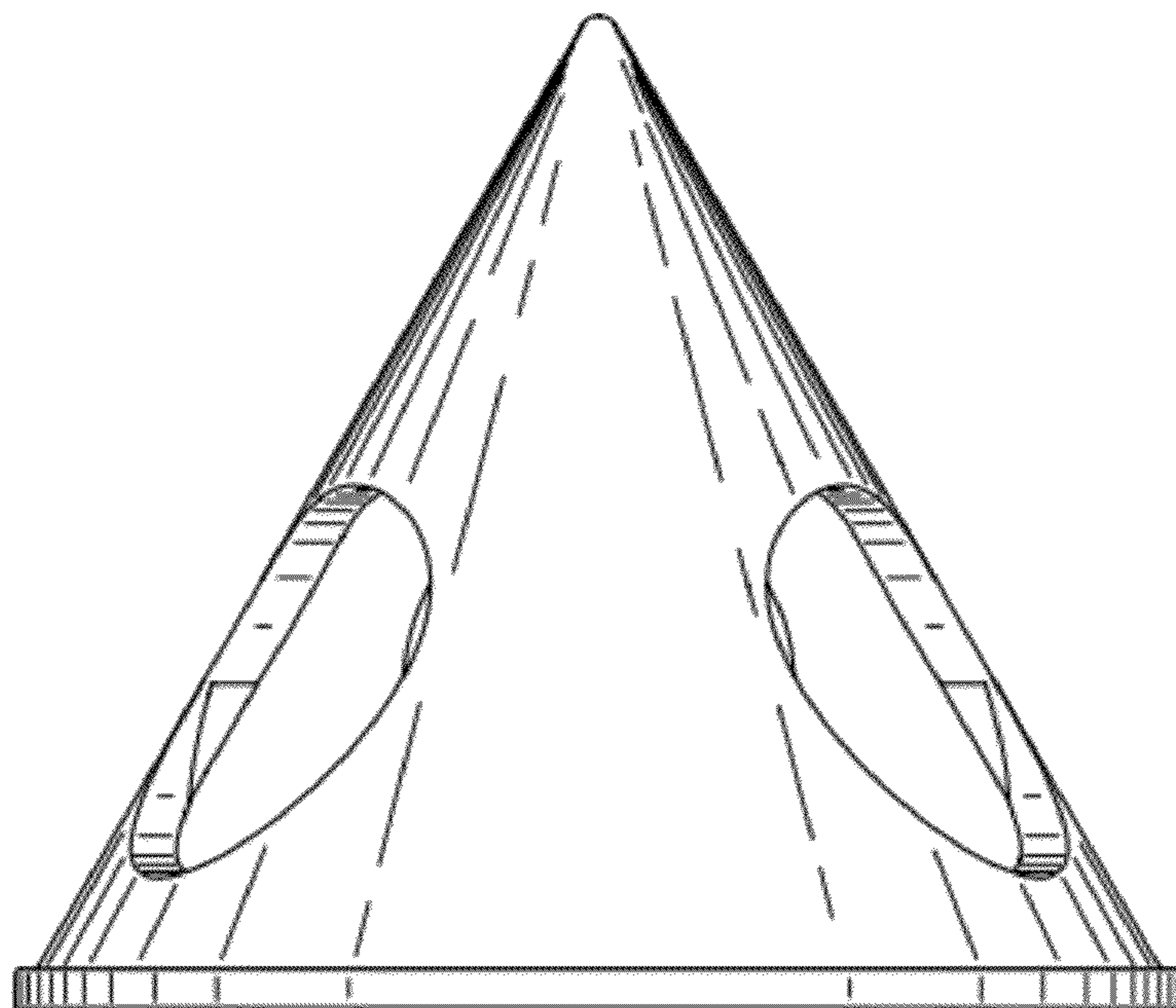
**FIG. 3**



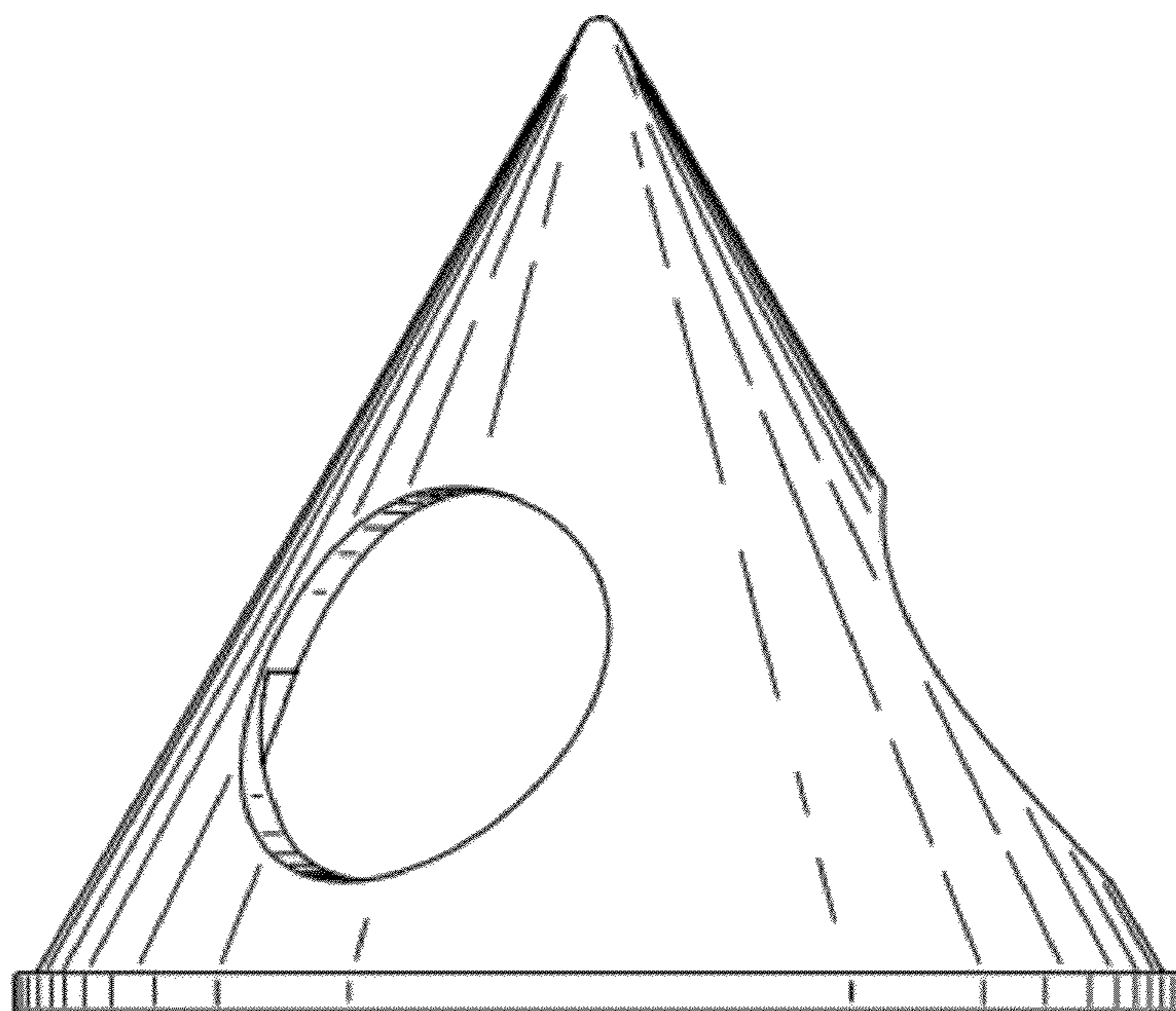
**FIG. 4**



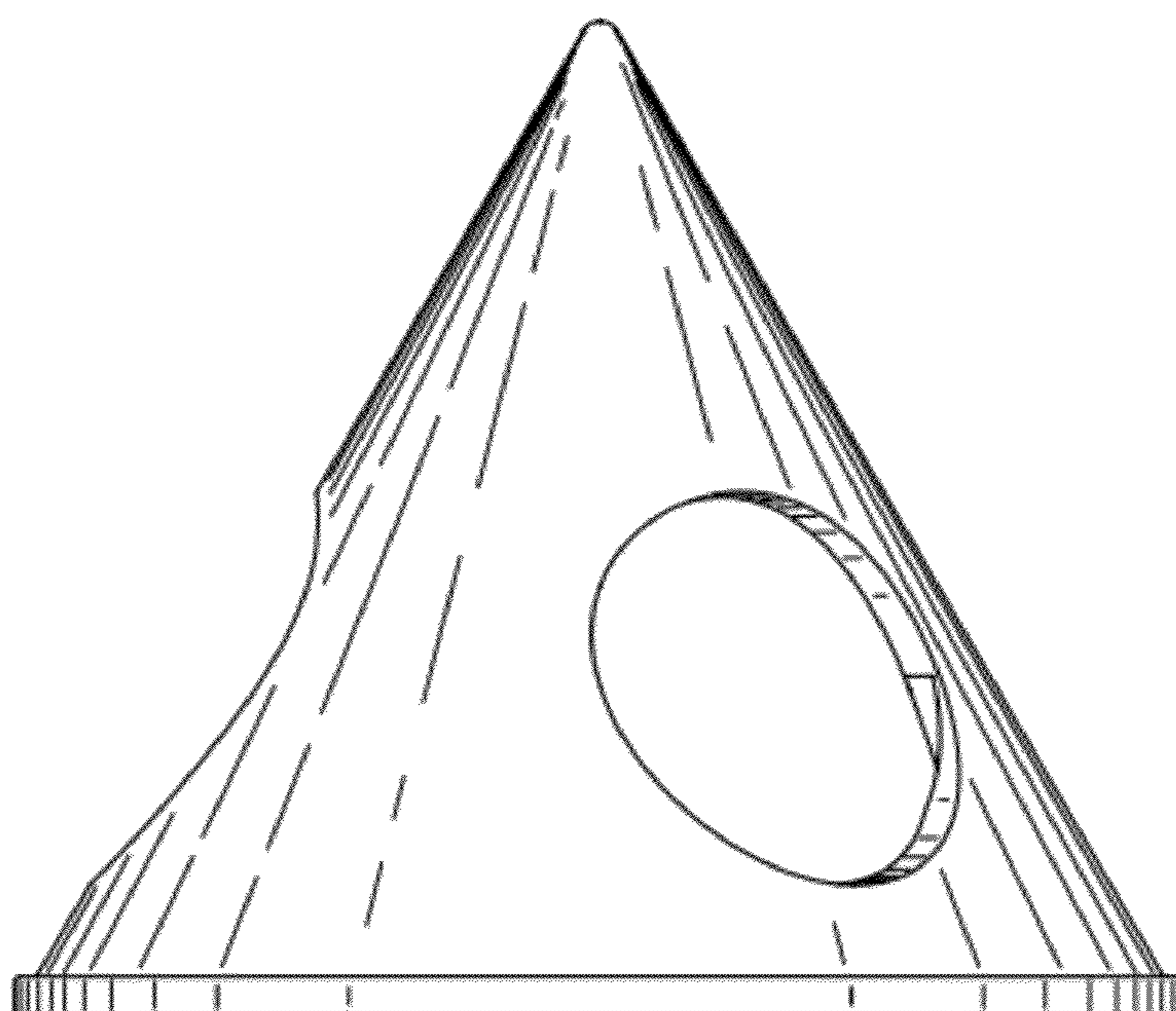
**FIG. 5**



**FIG. 6**



**FIG. 7**



**FIG. 8**