



US00D673026S

(12) **United States Design Patent**
Kubota

(10) **Patent No.:** **US D673,026 S**

(45) **Date of Patent:** **** Dec. 25, 2012**

(54) **DOOR CLOSER**

(75) Inventor: **Harunobu Kubota**, Tokyo (JP)

(73) Assignee: **Sugatsune Kogyo Co., Ltd.**, Tokyo (JP)

(**) Term: **14 Years**

(21) Appl. No.: **29/408,362**

(22) Filed: **Dec. 12, 2011**

(30) **Foreign Application Priority Data**

Jun. 20, 2011 (JP) 2011-013967

(51) **LOC (9) Cl.** **08-07**

(52) **U.S. Cl.** **D8/343; D8/330**

(58) **Field of Classification Search** D8/30,
D8/331, 336-339, 343, 341, 349, 382, 400;
70/14, 38 R, 51, 52, 57, 57.1, 101, 106, 77,
70/78, 141, 431; 292/32, 33, 4, 45, 56, 57,
292/71, 74, 78, 63, 137, 194; D16/71, 82,
D16/404, 49

See application file for complete search history.

(56) **References Cited**

U.S. PATENT DOCUMENTS

D324,166 S *	2/1992	Greco	D8/331
6,003,911 A *	12/1999	Sowash	292/343
6,421,876 B1 *	7/2002	Ginzel et al.	16/79
6,591,551 B2 *	7/2003	Winkler	49/339
6,722,715 B1 *	4/2004	Chiang	292/251.5
D628,458 S *	12/2010	Yamaguchi	D8/330
D633,367 S *	3/2011	Scherr	D8/331
D635,435 S *	4/2011	Yamaguchi	D8/330
D637,061 S *	5/2011	Mitchell et al.	D8/331

D638,686 S *	5/2011	Gordon	D8/339
D639,138 S *	6/2011	Gordon	D8/330
D649,011 S *	11/2011	Gordon	D8/330

* cited by examiner

Primary Examiner — Prabhakar Deshmukh

(74) *Attorney, Agent, or Firm* — Bacon & Thomas, PLLC

(57) **CLAIM**

The ornamental design for a door closer, as shown and described.

DESCRIPTION

FIG. 1 is a front elevational view of a door closer showing my new design,

FIG. 2 is a rear elevational view thereof,

FIG. 3 is a top plan view thereof,

FIG. 4 is a bottom plan view thereof,

FIG. 5 is a right side elevational view thereof,

FIG. 6 is a left side elevational view thereof,

FIG. 7 is a front elevational view thereof with the locking piece moved,

FIG. 8 is a front perspective view thereof,

FIG. 9 is a front perspective view thereof with the locking piece moved,

FIG. 10 is a perspective view thereof in its environment of use,

FIG. 11 is a sectional view thereof, taken along the line 11-11 of FIG. 2,

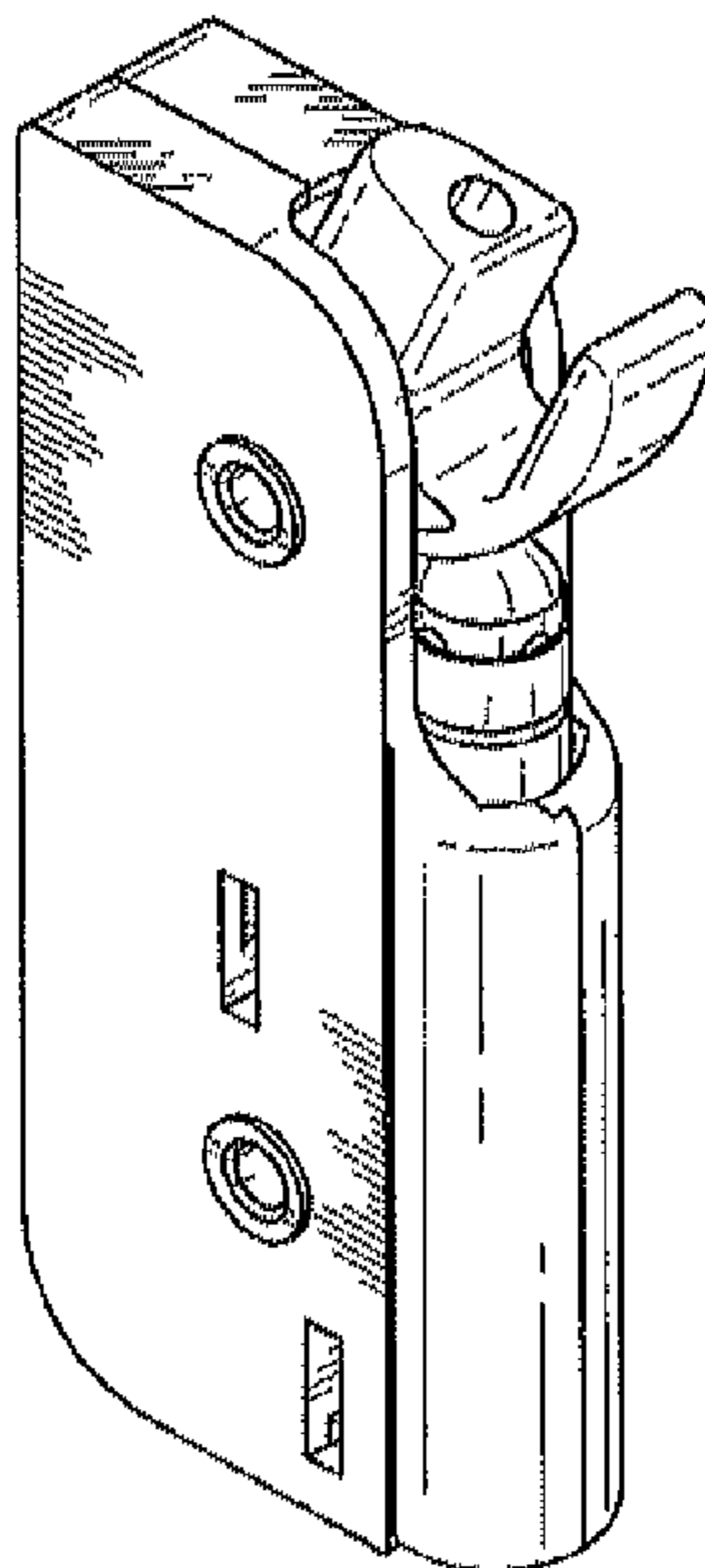
FIG. 12 is a sectional view thereof, taken along the line 12-12 of FIG. 2,

FIG. 13 is a sectional view thereof, taken along the line 13-13 of FIG. 2; and,

FIG. 14 is a sectional view thereof, taken along the line 14-14 of FIG. 5.

The broken lines environment is for illustrative purpose only and forms no part of the claimed design.

1 Claim, 4 Drawing Sheets



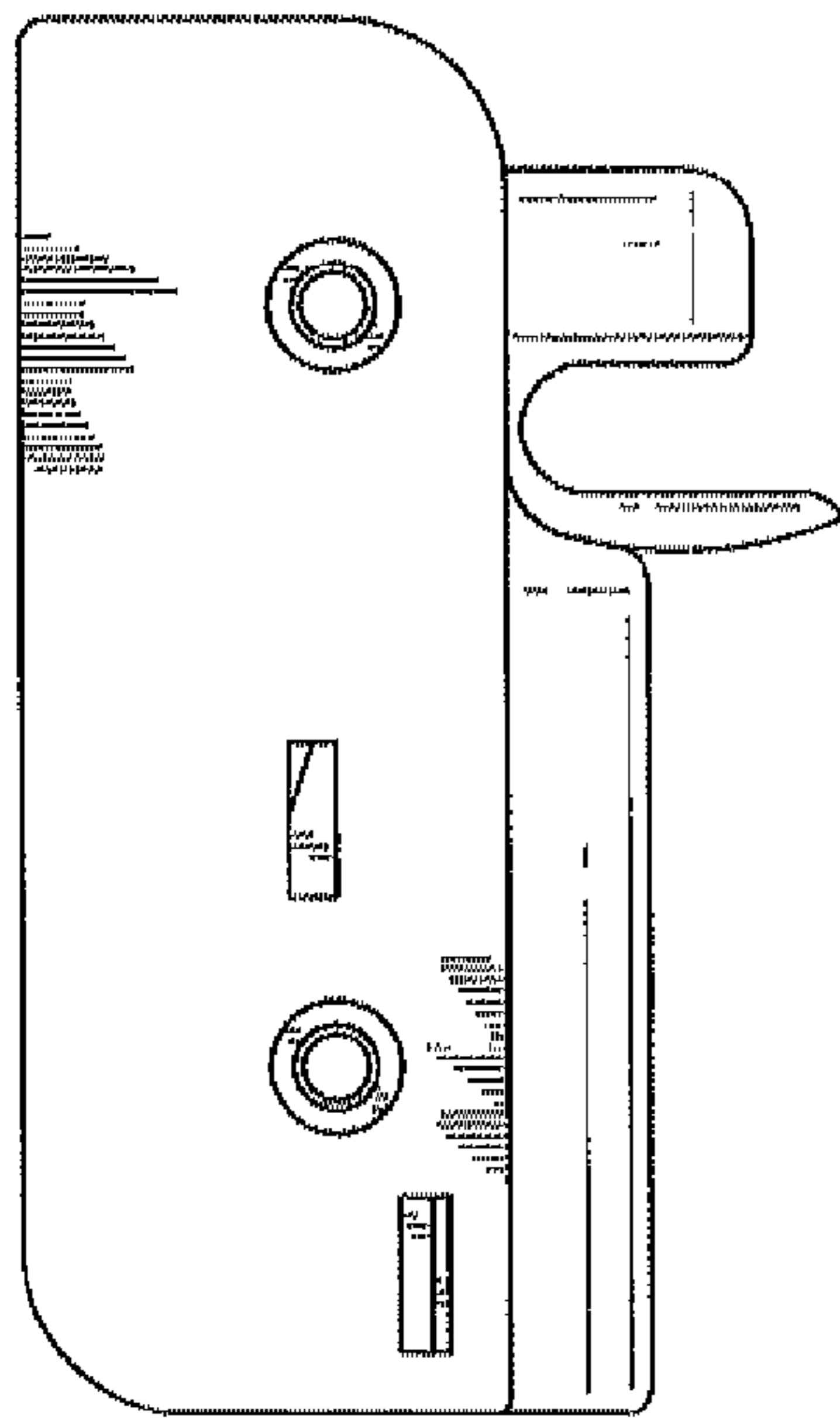


FIG. 1

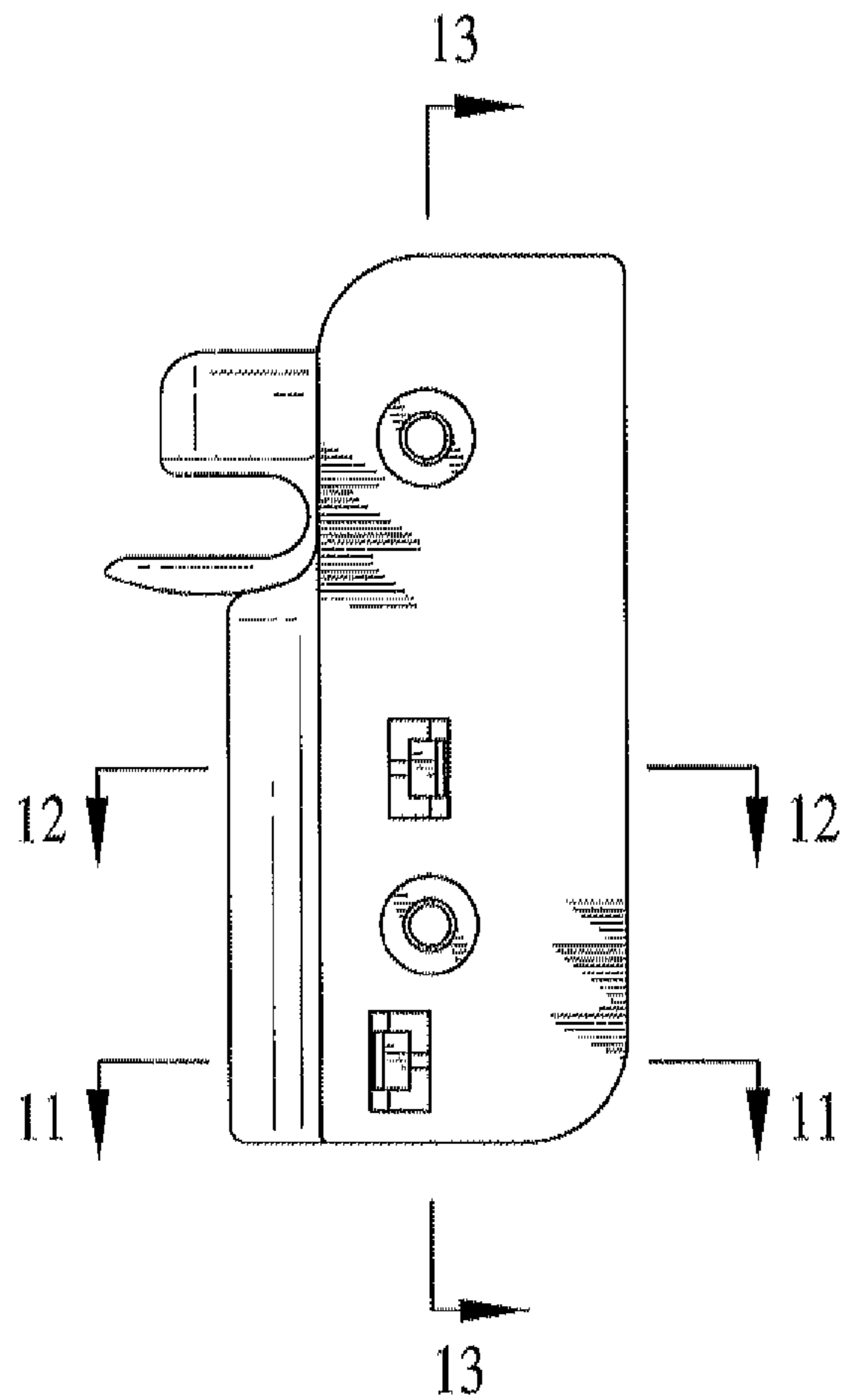


FIG. 2

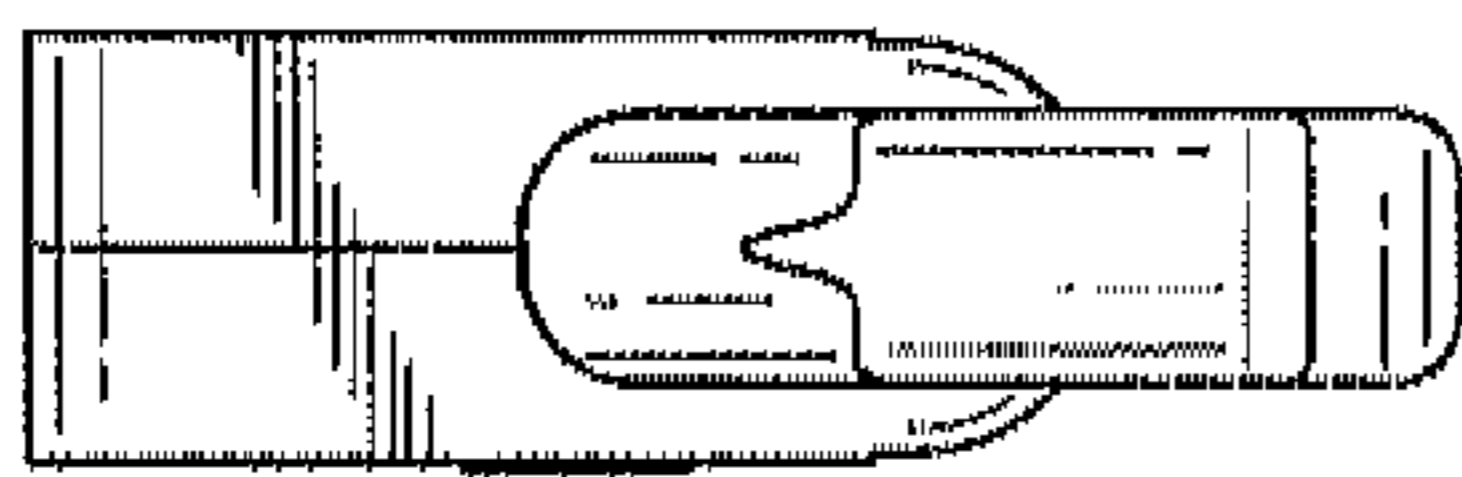


FIG. 3

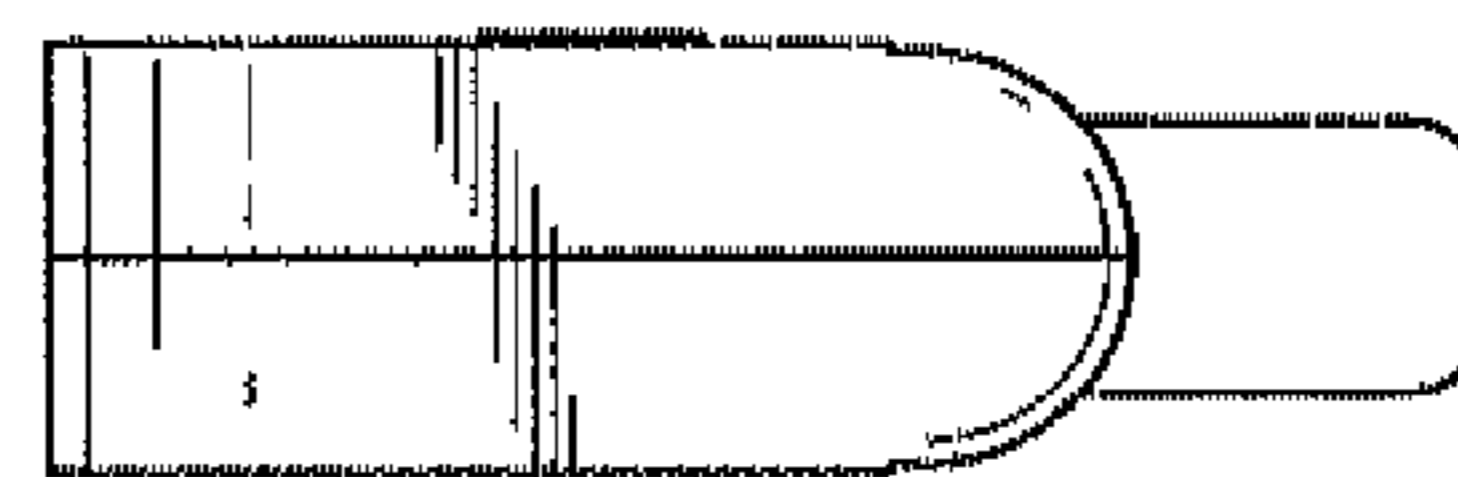
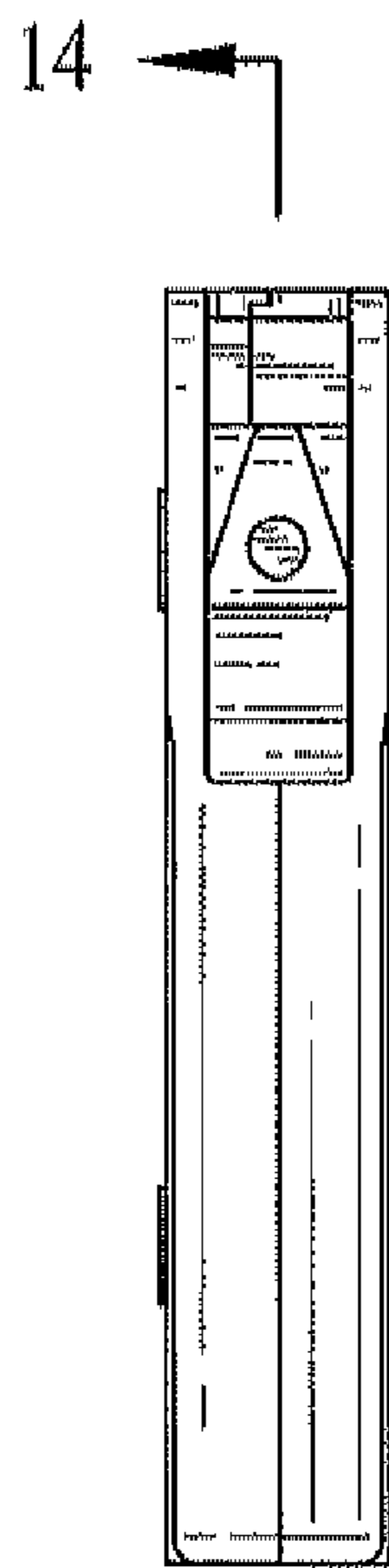


FIG. 4



14
FIG. 5

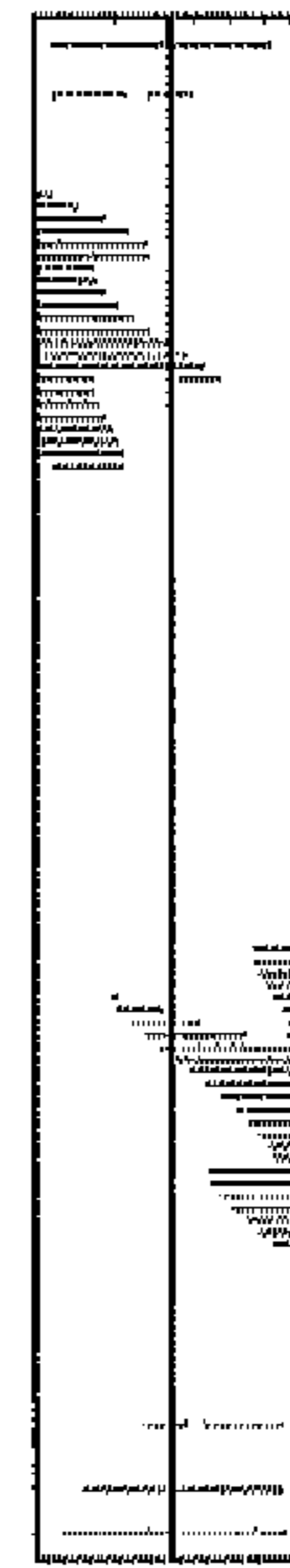


FIG. 6

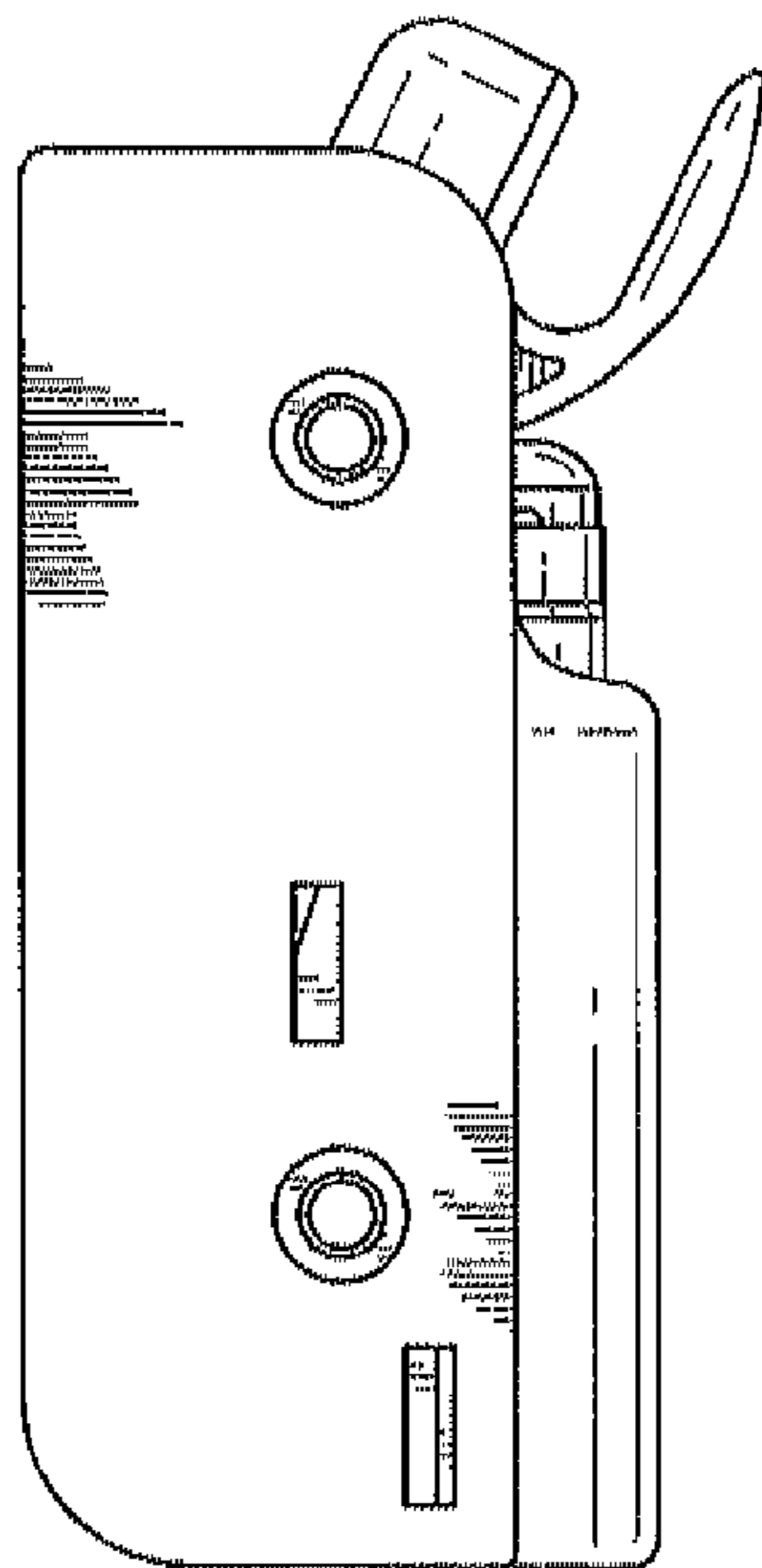


FIG. 7

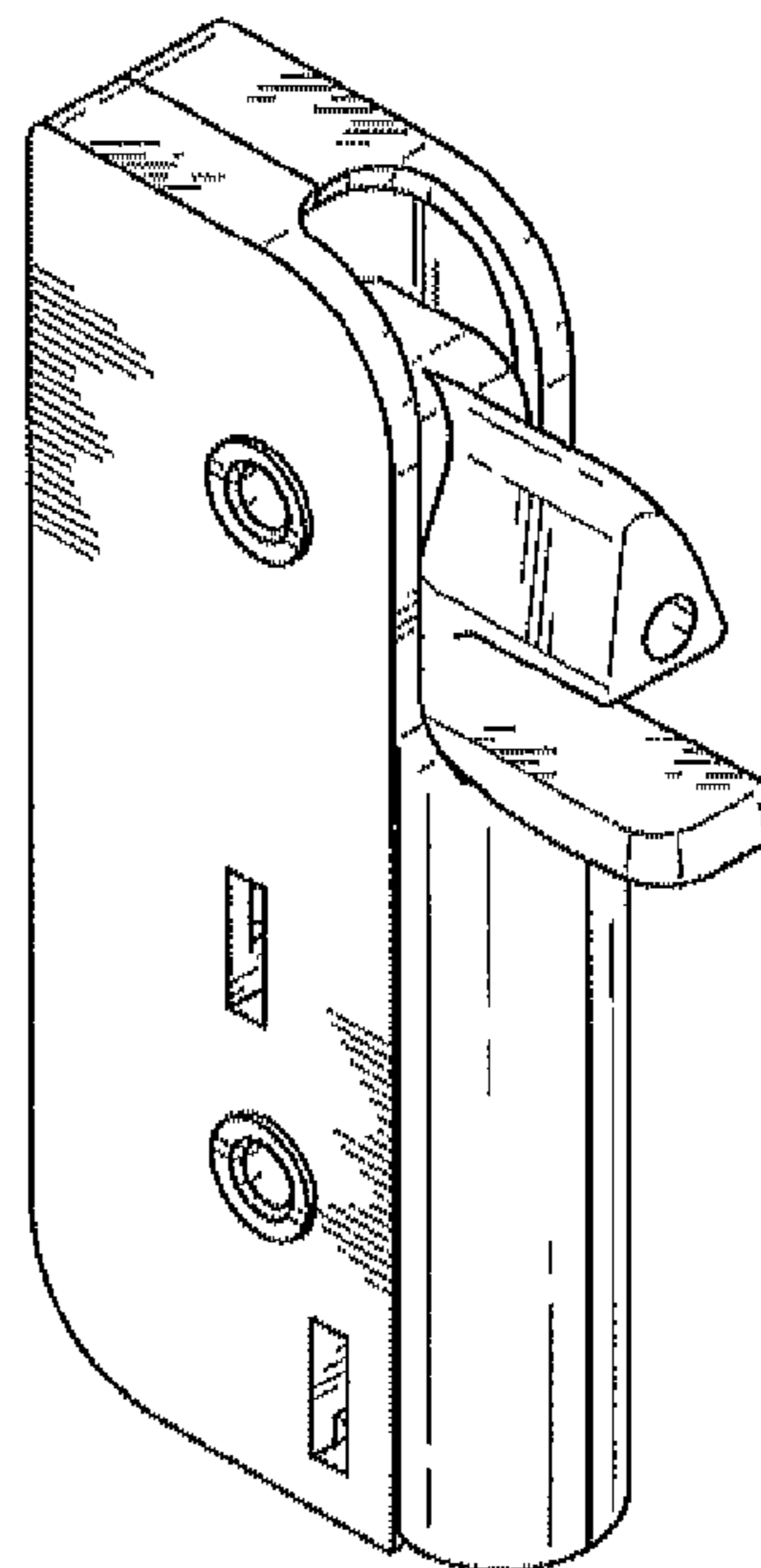


FIG. 8

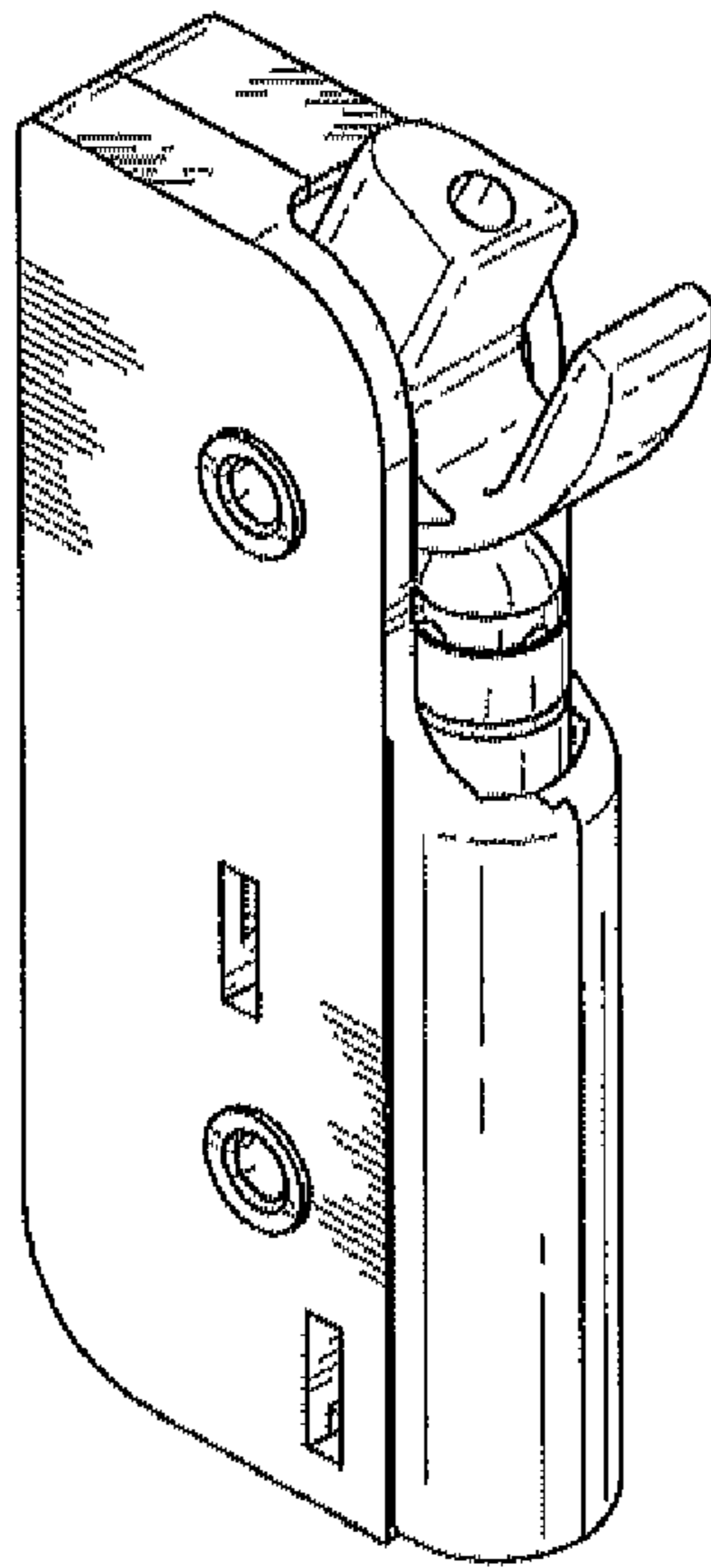


FIG. 9

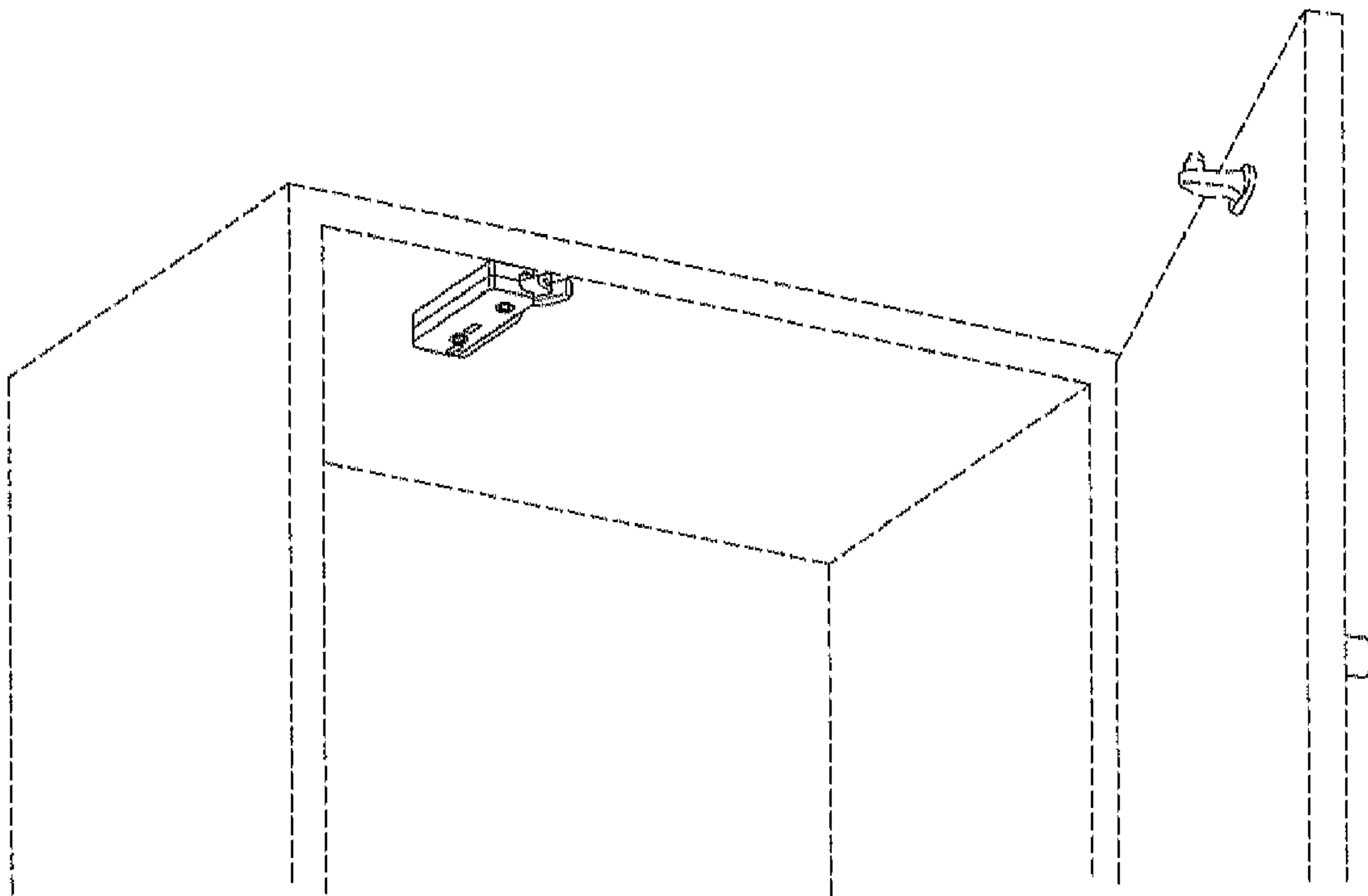


FIG. 10

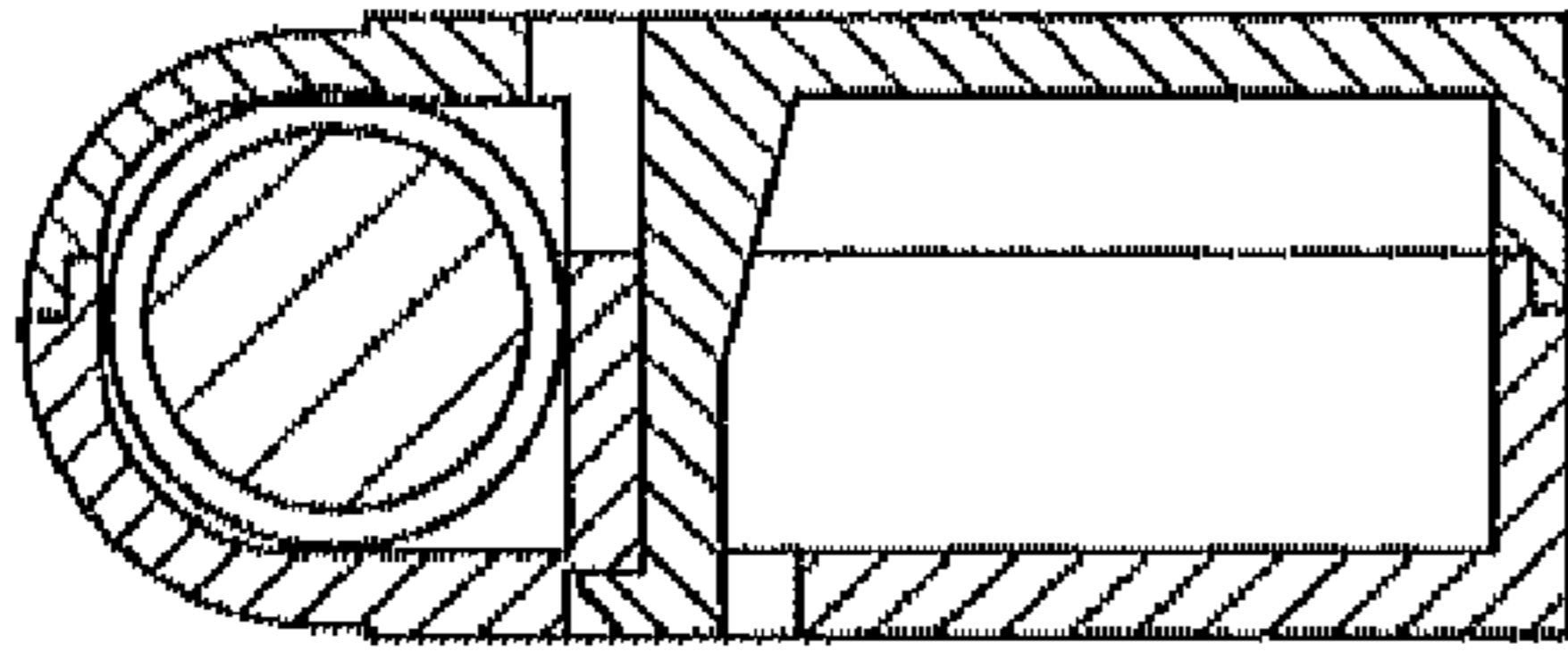


FIG. 11

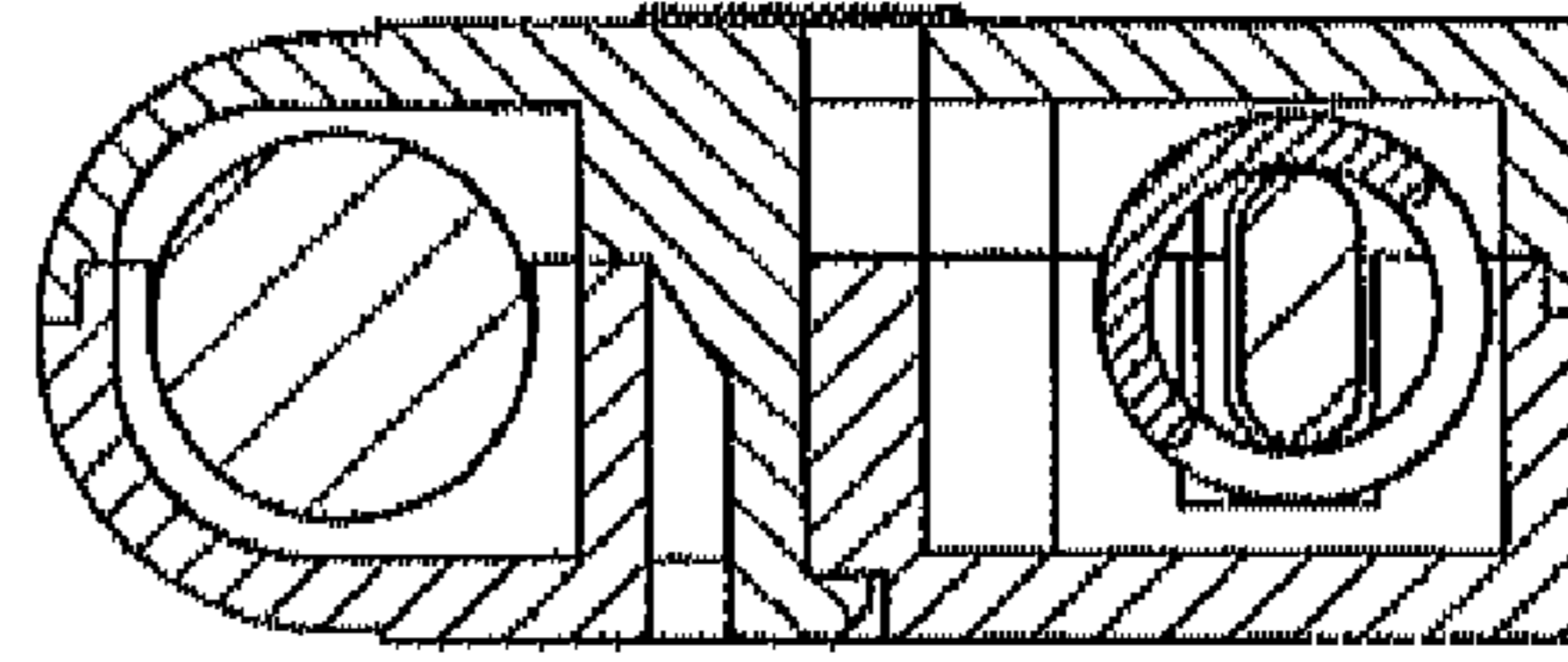


FIG. 12

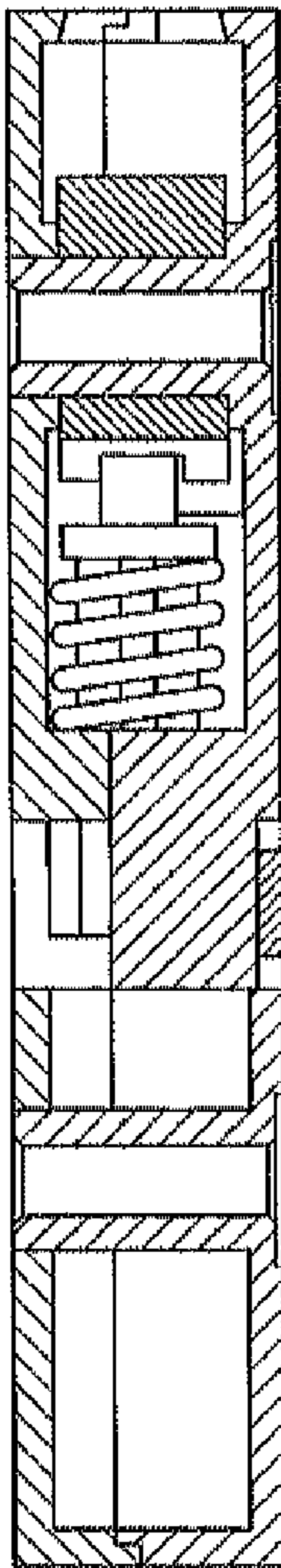


FIG. 13

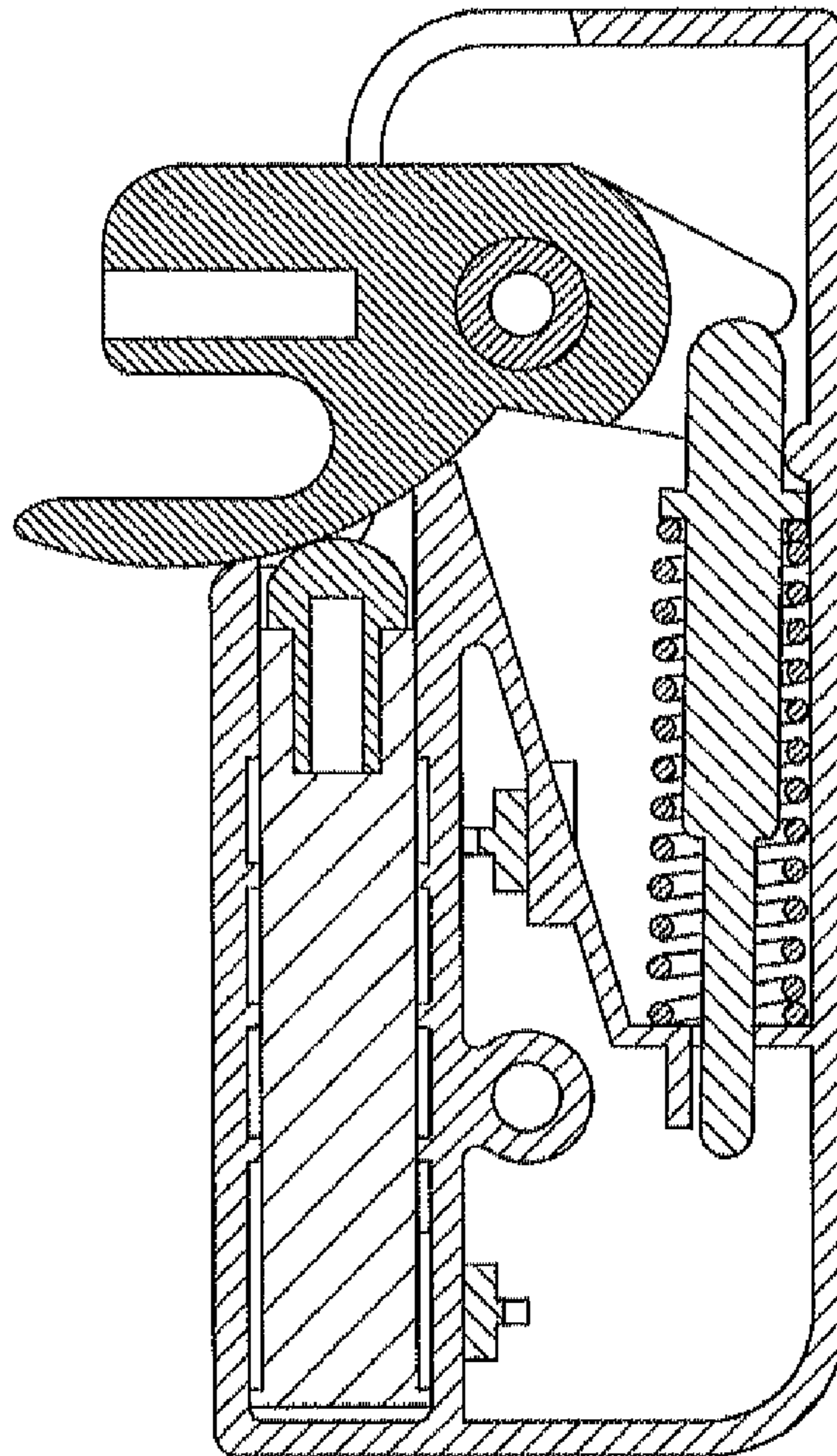


FIG. 14